

# ***Best-Rite 11.75" x 72" Tackboard Display Panel***

Instruction Manual



*Provided by*

**MyBinding.com**  
*When Image Matters.*

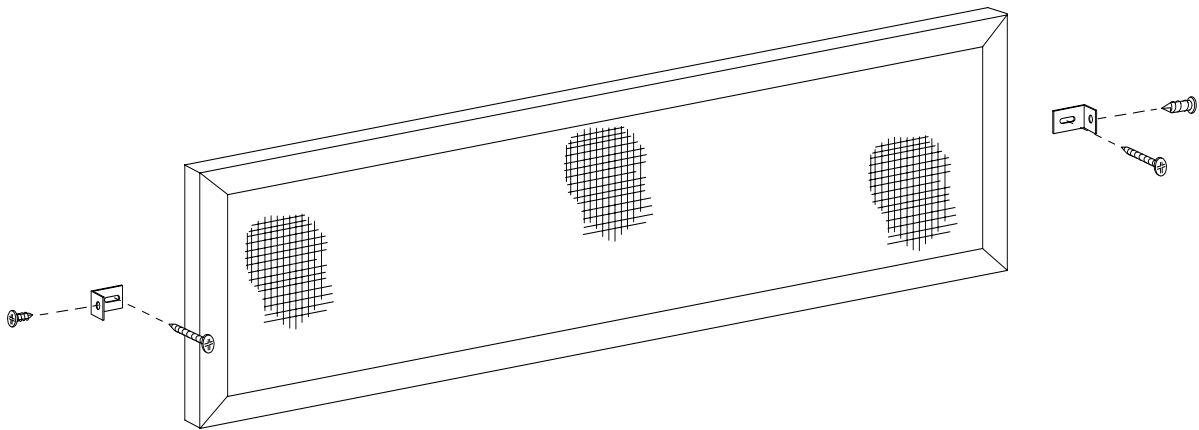
Call Us at 1-800-944-4573



Best-Rite™

**506 & 507**

# Display Panel Installation



- Step 1.) Establish mounting location on your wall.
- Step 2.) Fasten "L" clips with long screws (and plastic anchors for your type wall) to the wall so that the Display Panel fits between them as shown in the above illustration.
- Step 3.) Place the Display Panel between the "L" clips and center up and down. Use the small self-drilling screws to go through the "L" clip's hole and into the panel's side frame.

**Missing Parts or UPS Damaged Parts**

For Your Convenience you can  
EMAIL us at

**[support@moorecoinc.com](mailto:support@moorecoinc.com)**

24HOURS 7 DAYS A WEEK

***Should you require assistance during assembly,  
please call our Customer Service Department***

***Monday - Friday 8 a.m. - 5 p.m.***

***Central Standard Time 1-800-749-2258***

506, 507\_4-17-12

**WWW.MYBINDING.COM**