

Best-Rite 4' x 5' Lumina Mobile Reversible Whiteboard

Instruction Manual



Provided by

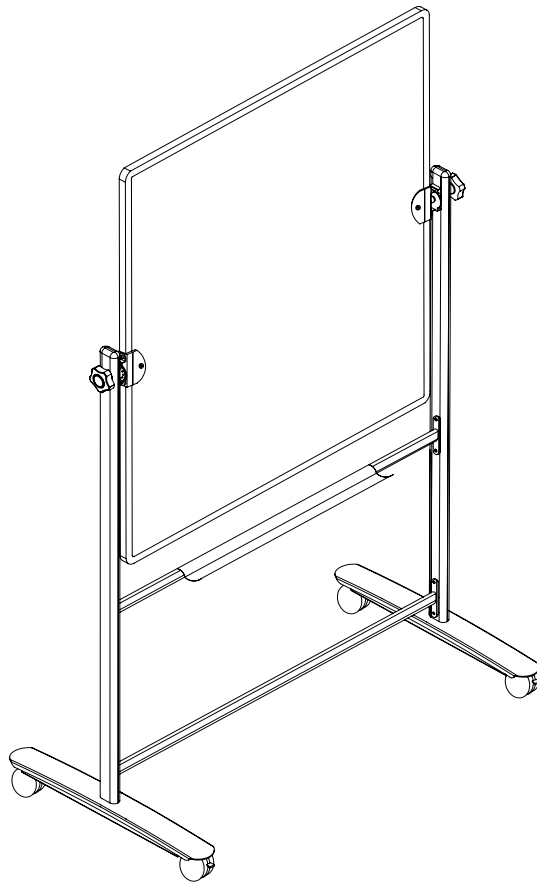
MyBinding.com
When Image Matters.

Call Us at 1-800-944-4573



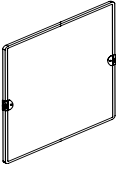
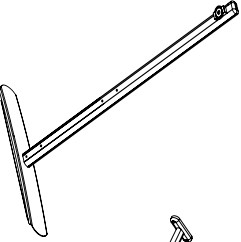

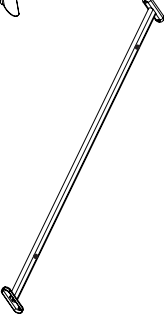

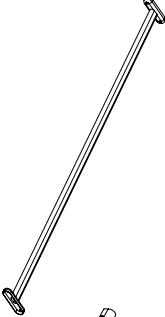

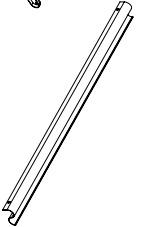



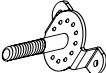

Best-Rite™

#62382 and #62383 Lumina Reversible Boards



Assembly Instructions

#62382 and #62383 Lumina Reversible Boards

Part	Drawing	Description	Qty	Part	Drawing	Description	Qty
P-1		Board Assembly	1 EA	Hardware List			
P-2		Leg	2 EA	A		Screw M6X20mm	10 EA
P-3		Top Cross Brace	1 EA	B		Non-Locking Caster	2 EA
P-4		Bottom Cross Brace	1 EA	C		Locking Caster	2 EA
P-5		Tray	1 EA	D		Allen Wrench	1 EA
				E		Caster Wrench	1 EA
				F		Knob	2 EA
				G		Hinge Pivot	2 EA
				H		Lock Washer	4 EA

Should you require assistance during assembly, please call our Customer Service Department Monday - Friday 8 a.m. - 5 p.m. Central Standard Time 1-800-749-2258

Important

The Balt product you have purchased is guaranteed against material and workmanship defects. This guarantee extends 1 year from date of purchase. Should this product fail to function satisfactorily under normal use due to defect or imperfection, the defective part or product will be replaced. Damage caused by common carriers during shipment is not included in this guarantee.

This guarantee sets forth all applicable guarantees and remedies. No other warranty, expressed or implied shall apply. Failure to follow instructions found in Important Information Section of Owner Sheet shall void the guarantee. Consequential or incidental damages and or costs are not refundable.

Lumina Reversible Assembly Instructions

**READ THROUGH INSTRUCTIONS FROM BEGINNING TO
END BEFORE STARTING TO ASSEMBLE UNIT.**

- 1.) Identify and Separate all the Parts and Hardware.
- 2.) To attach Hinge Pivot (G) to each side of Board Assembly (P-1), first remove the two factory installed screws in the board's clamp. Place Hinge Pivot (G) over holes and tighten screws back as shown in Illustration #1A.
- 3.) Insert the Board Assembly (P-1) between the two Legs (P-2) and connect using two Knobs (F) as shown in Illustration #1B. Leave the Knobs (F) loose.

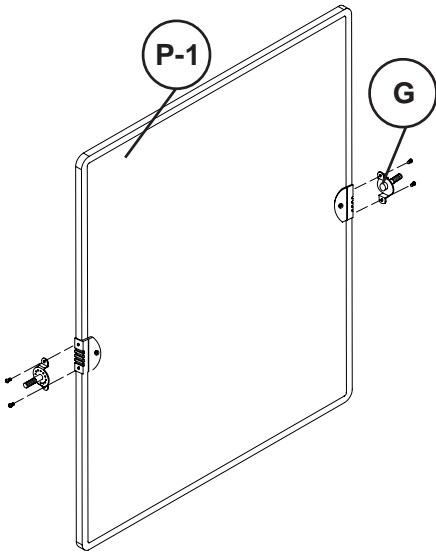


Illustration #1A

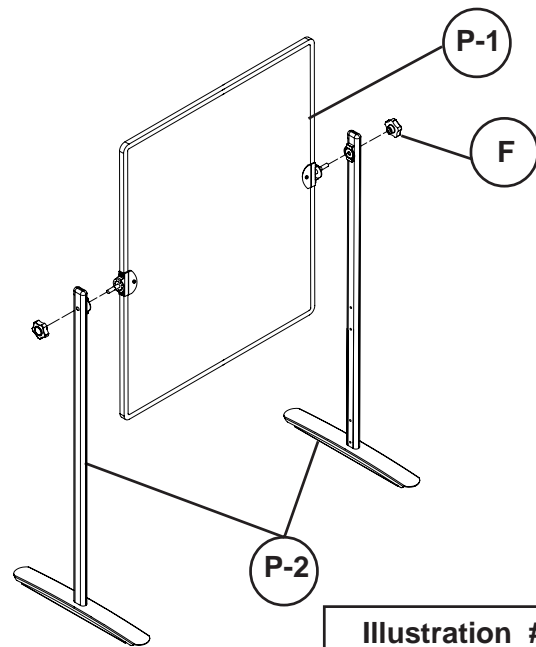


Illustration #1B

- 3.) Attach the Top Cross Bar (P-3), it has two tapped Tray holes on one side of the tube, to the Legs (P-2) using four Screws (A) and tightening with Allen Wrench (D). Repeat this Step to attach the Bottom Cross Bar (P-4) to the Legs (P-2) using four more Screws (A) as shown in Illustration #2.

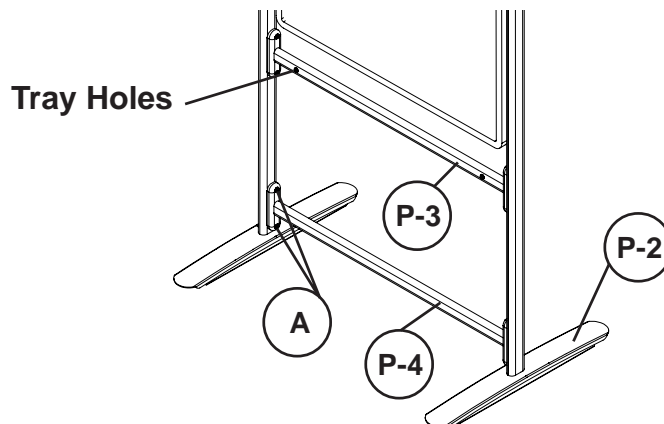


Illustration #2

#62382 and #62383 Lumina Reversible

4.) Tighten both Knobs (F) at this time. Attach Tray (P-5) to the Top Cross Bar (P-3) using two Screws (A) as shown in Illustration #3.

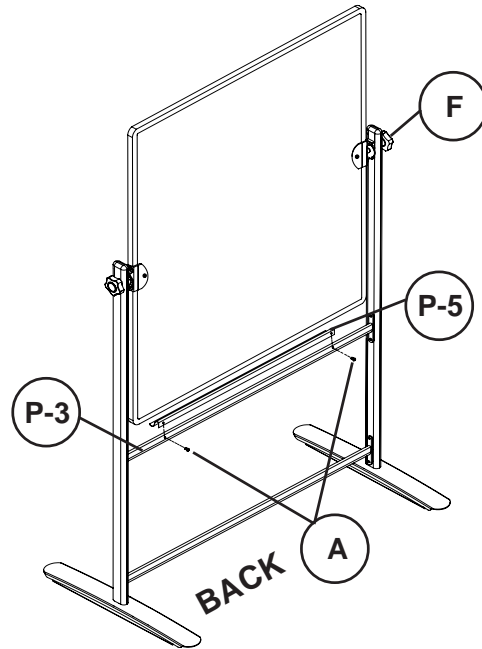


Illustration #3

5.) Place a Lock Washer (H) on each Caster's threaded stem before attaching. Screw in two Non-Locking Casters (B) and two Locking Casters (C) into the bottom of Legs (P-2) as shown in Illustration #4 and tighten with Caster Wrench (E).

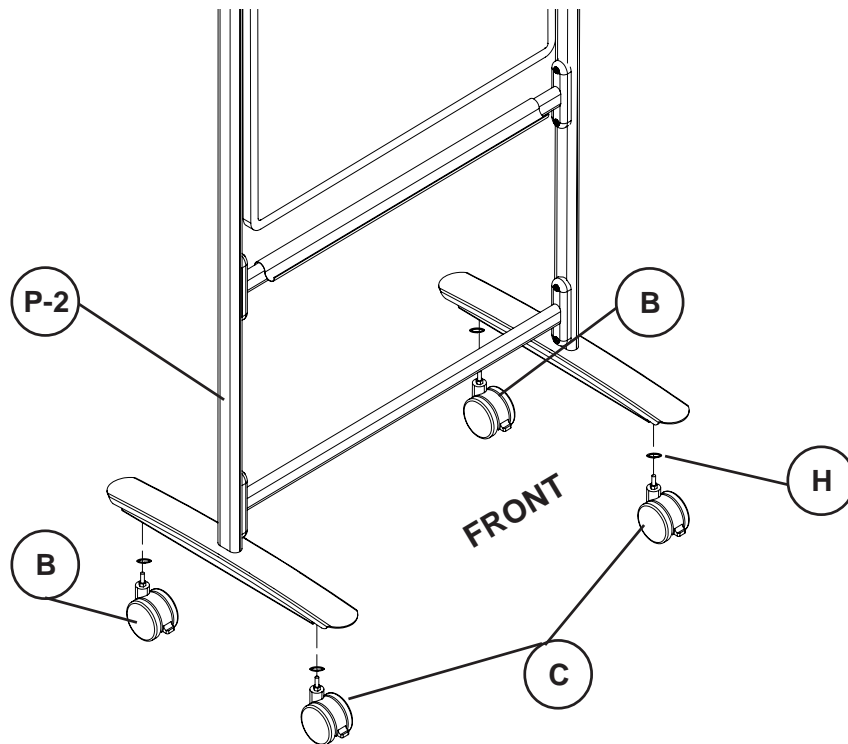
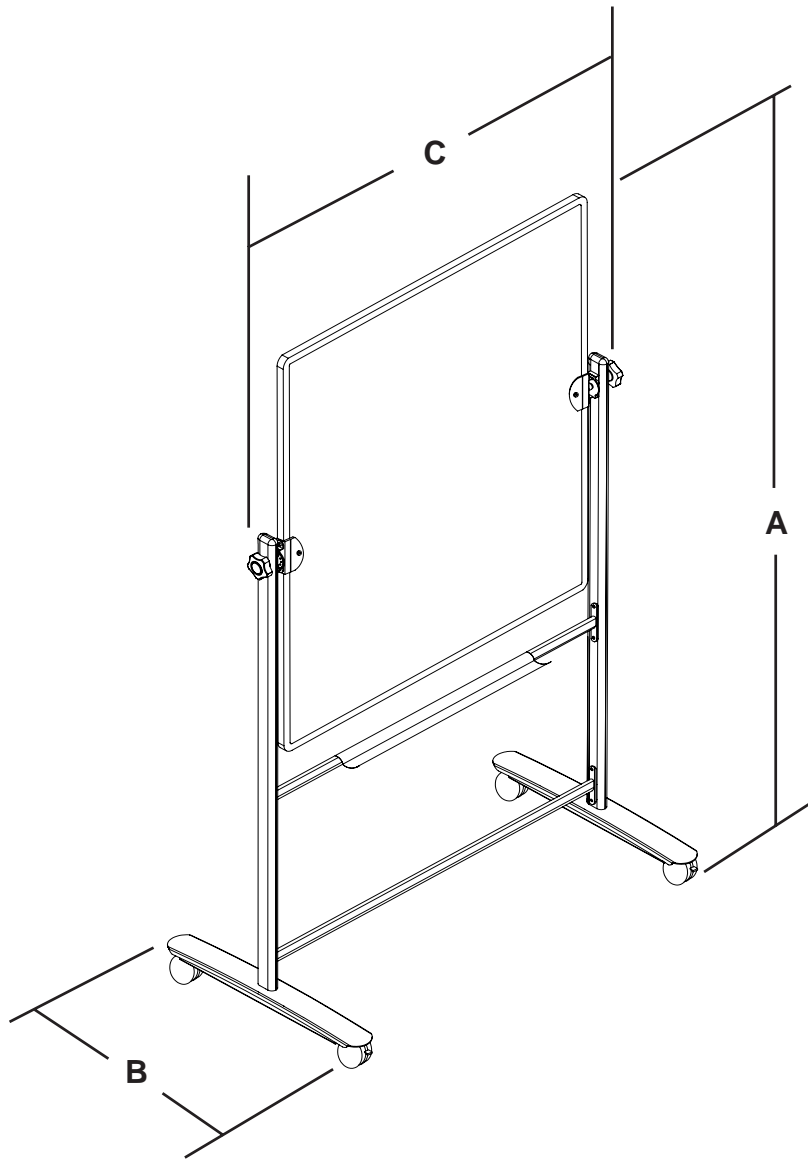


Illustration #4



Best-Rite™

62382 and 62383 Spec Sheet



	#62382	#62383
A	74.5"	77.5"
B	24"	24"
C	36.5"	66.5"