

Best-Rite 69" x 30" Mahogany Wood Presentation Easel

Instruction Manual



Provided by

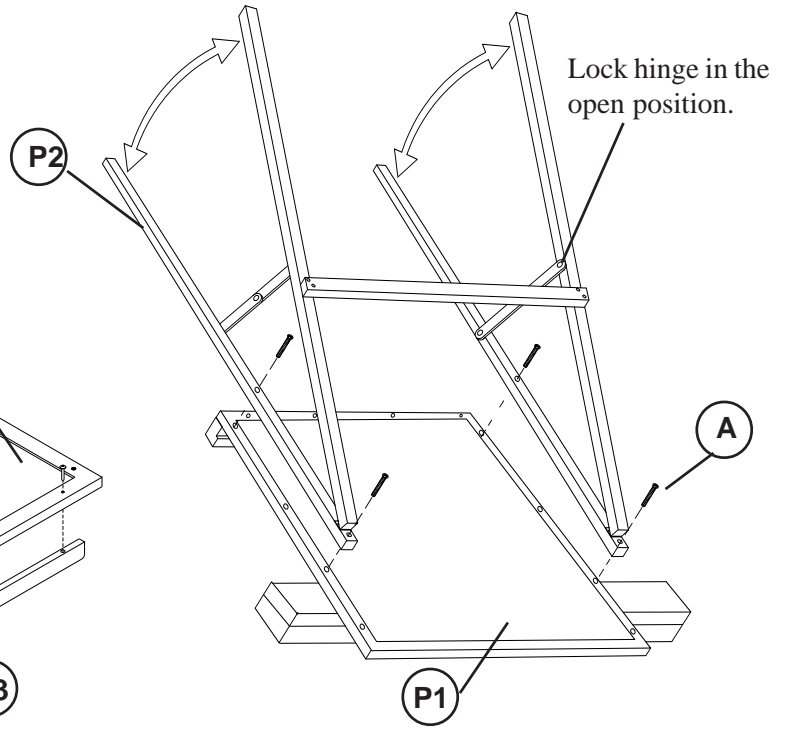
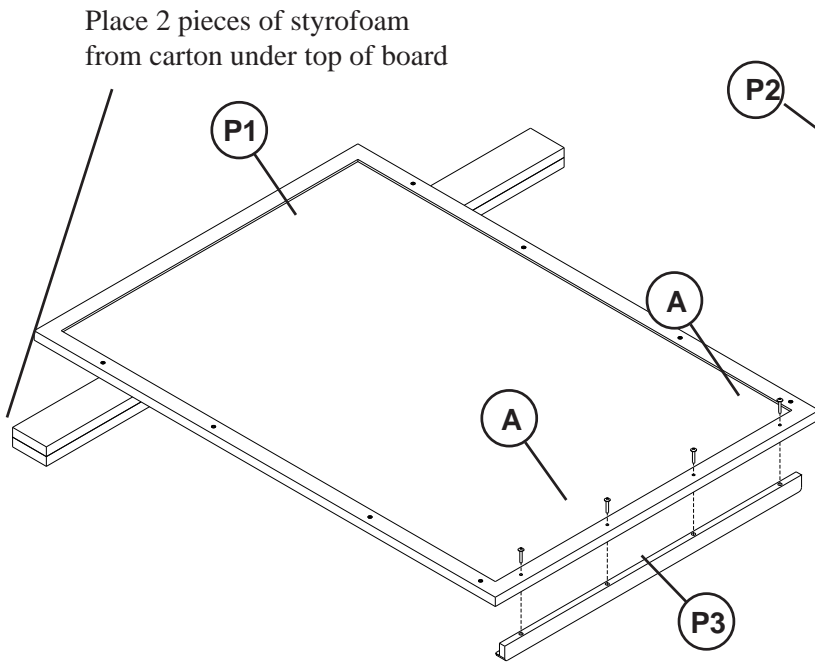
MyBinding.com

When Image Matters.

Call Us at 1-800-944-4573

1 Attach Tray(P3) using 4 Screws (A).

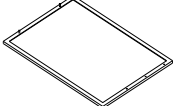


2 Lock Legs(P2) in the open position and attach to Board (P-1) using 4 Screws (A) .



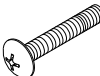
Board height may be adjusted in 2 positions.
Board shown in the highest position.

Should you require assistance during assembly, please call our Customer Service Department Monday - Friday 8 a.m. - 5 p.m. Central Standard Time Toll-Free Customer Service 1-800-749-2258

Parts List

P1		Markerboard	1 EA
P2		Leg Frame	1 EA
P3		Tray	1 EA

Hardware List

A		Screw M4x25mm	8 EA
---	---	---------------	------

BEST-RITE®
"It's A Better Board"

#745
Presentation Easel

