

***Best-Rite Nest Easel
- 2 Sided Laminate Whiteboard
with Black Frame***

Instruction Manual



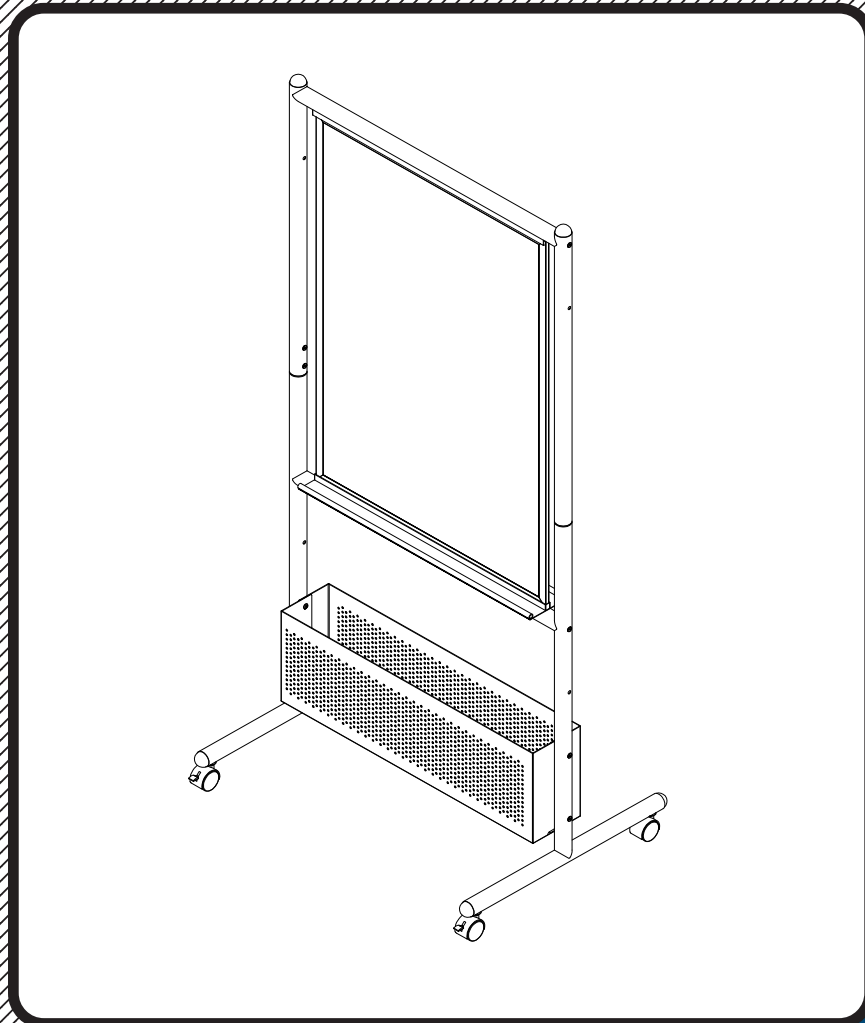
Provided by

MyBinding.com
When Image Matters.

Call Us at 1-800-944-4573

Nest Easel

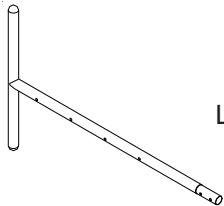
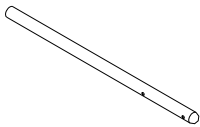
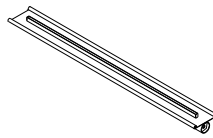
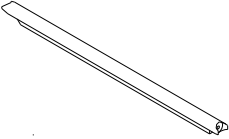
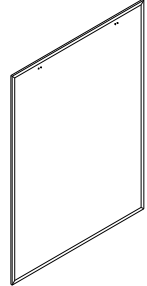
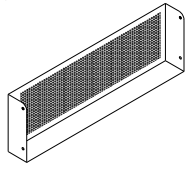
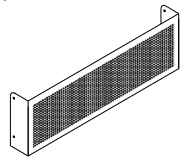
Adjustable Height Easel w/Storage Bin




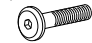
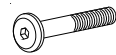
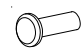





Assembly Instructions

Nest Easel

Adjustable Height Easel w/Storage Bin

| Part | Drawing | Description | Qty |
|------|---|----------------|------|
| P-1 |  | Lower Leg | 2 EA |
| P-2 |  | Upper Leg | 2 EA |
| P-3 |  | Middle Tray | 1 EA |
| P-4 |  | Top Support | 1 EA |
| P-5 |  | Markerboard | 1 EA |
| P-6 |  | Bookrack-Back | 1 EA |
| P-7 |  | Bookrack-Front | 1 EA |

Hardware List

| | | | |
|----|--|-------------------------------|------|
| A |  | 9/16" Socket Screw | 4 EA |
| A1 |  | 1-3/32" Socket Screw | 4 EA |
| B |  | 2-3/8" Socket Screw | 4 EA |
| C |  | Interior Threaded Post | 4 EA |
| D |  | 2" Locking Caster (for front) | 2 EA |
| E |  | 2" Caster (for Back) | 2 EA |
| F |  | Plastic Chart Support | 4 EA |
| G |  | Allen Wrench | 2 EA |
| H |  | Caster Wrench | 1 EA |

Nest Easel Assembly Diagram

Illustration # 1

READ THROUGH INSTRUCTIONS FROM BEGINNING TO END BEFORE STARTING TO ASSEMBLE UNIT.

To Assemble:

1. Identify and Separate all the Parts and Hardware.
2. Attach Middle Tray (P-3) to 2 Lower Legs (P-1) at desired height using 2 Socket Screws (B) as shown in illustration # 1.
(Finger tighten only)

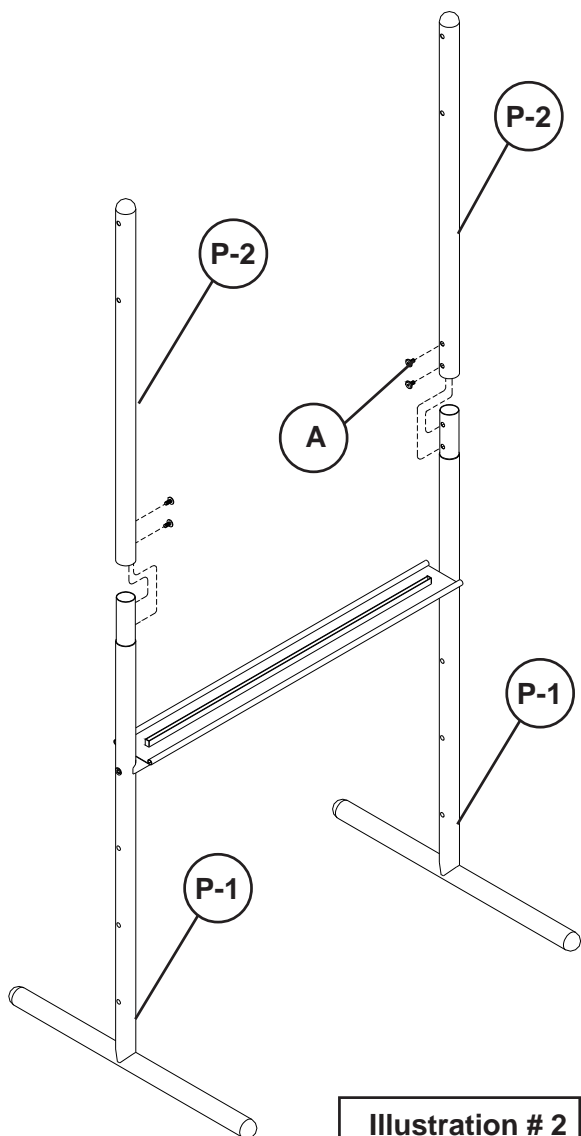
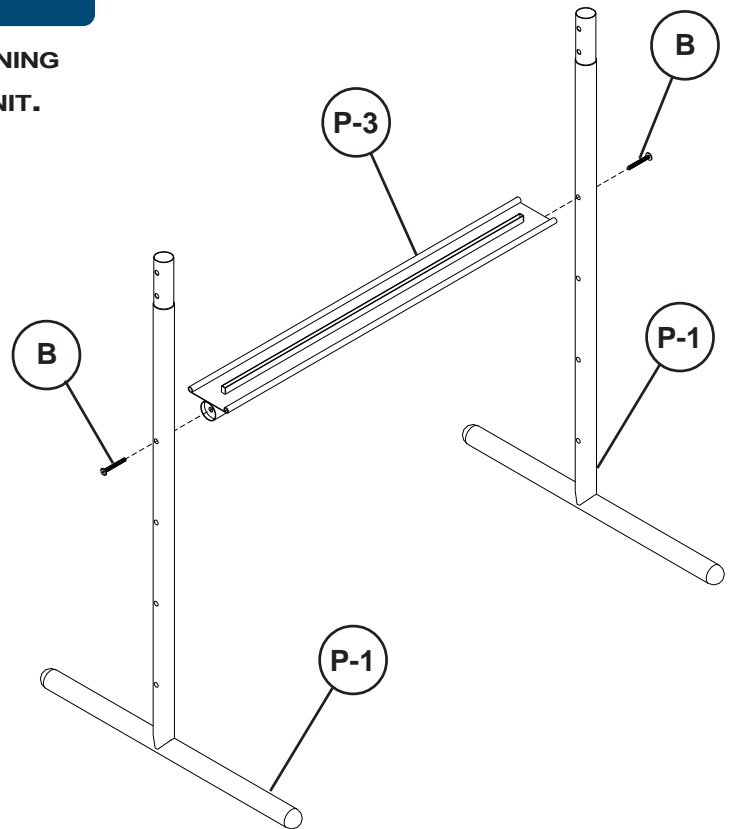


Illustration # 2

3. Attach 2 each Upper Legs (P-2) to the 2 each Lower Legs (P-1) using 4 Socket Screws (A) as shown in illustration # 2.
(Finger tighten only)

4. Insert Markerboard (P-5) into Middle Tray (P-3) as shown in illustration # 3.

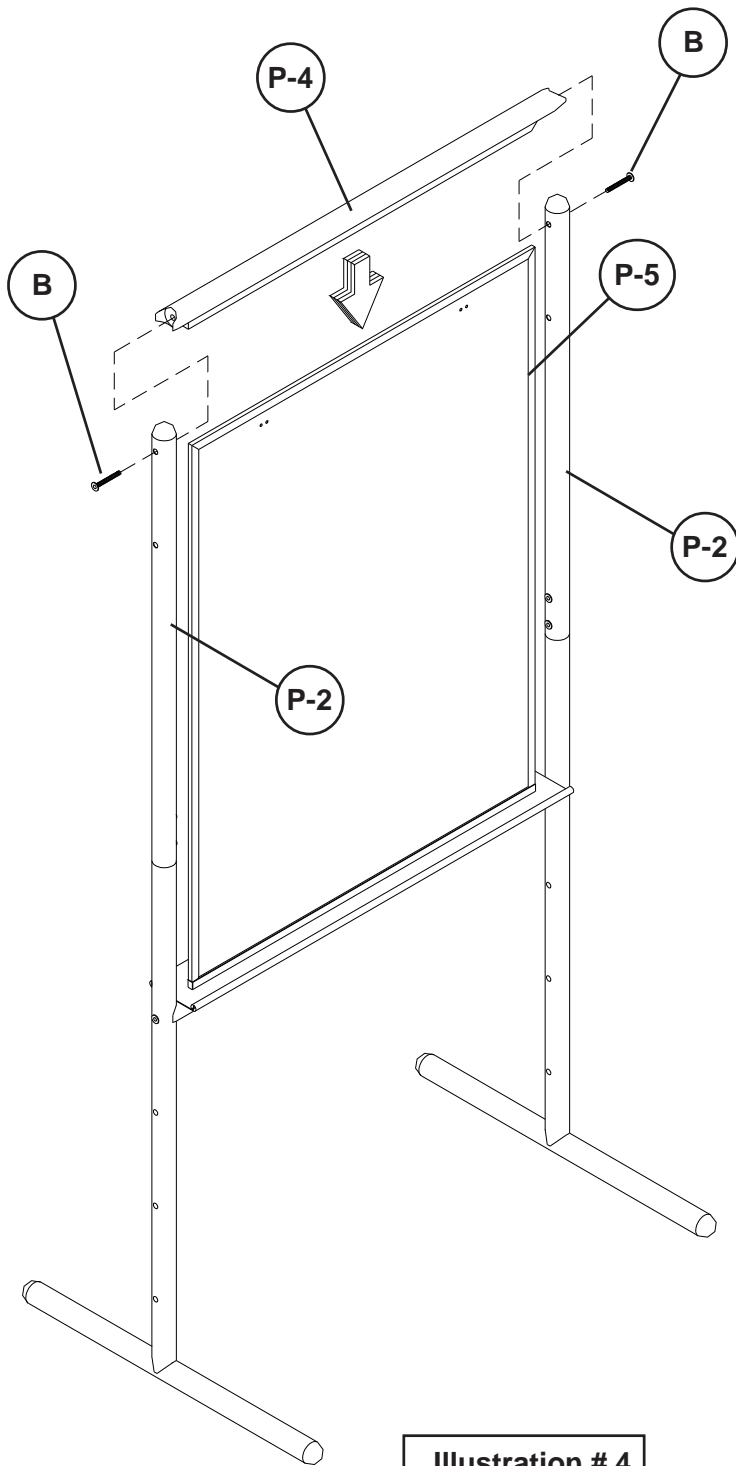
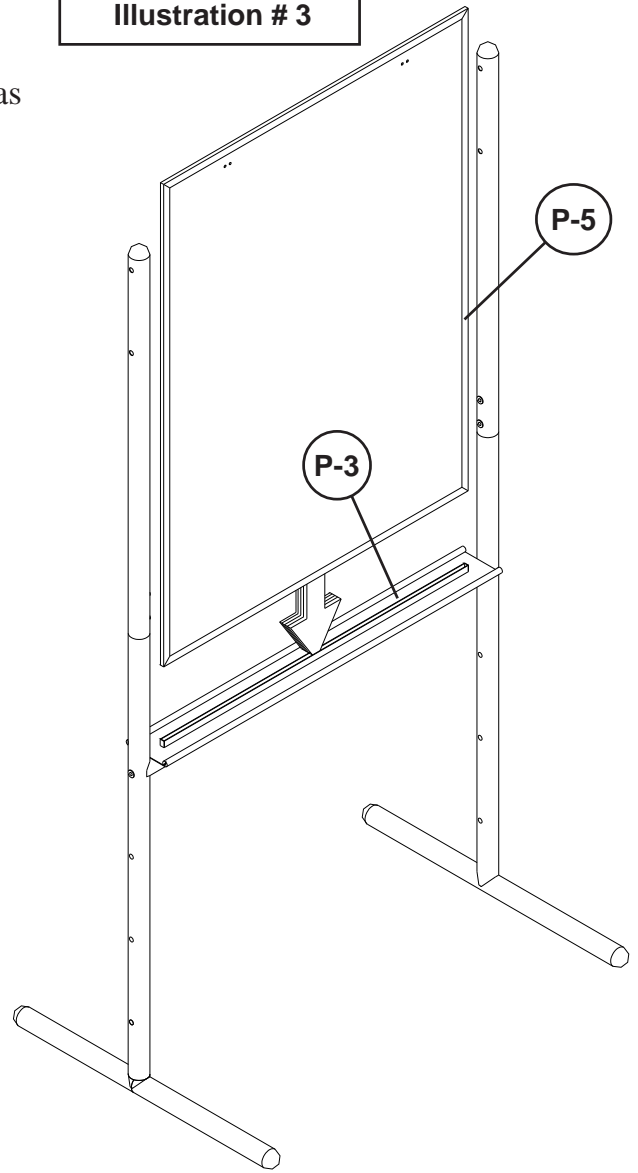


Illustration # 4

Illustration # 3



5. Slide Top Support (P-4) over Markerboard (P-5) and secure to the 2 Upper Legs(P-2) using 2 each Socket Screws(B) as shown in illustration # 4. (**Finger tighten only**)

6. Attach Book Rack Front Panel (P-7) and Book Rack Back Panel (P-6) to the 2 Lower Leg Frames (P-1) using 4 Socket Screws (A1) and 4 Interior Threaded Posts (C) as shown in illustration # 5.
7. Attach 2 Locking Casters (D) in the front and 2 Casters (E) in the back of the unit as shown in illustration # 5.
Tighten the Casters using Caster Wrench (G).
(Tighten all Screws at this time)
8. Peel the paper from the back of adhesive pad on Plastic Chart Support (F).
(See Illustration # 6-A)

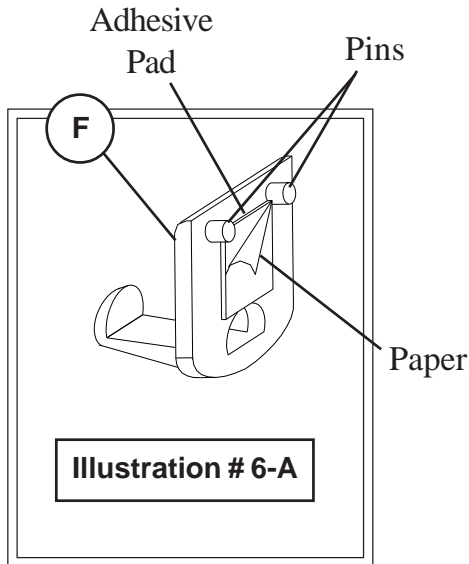
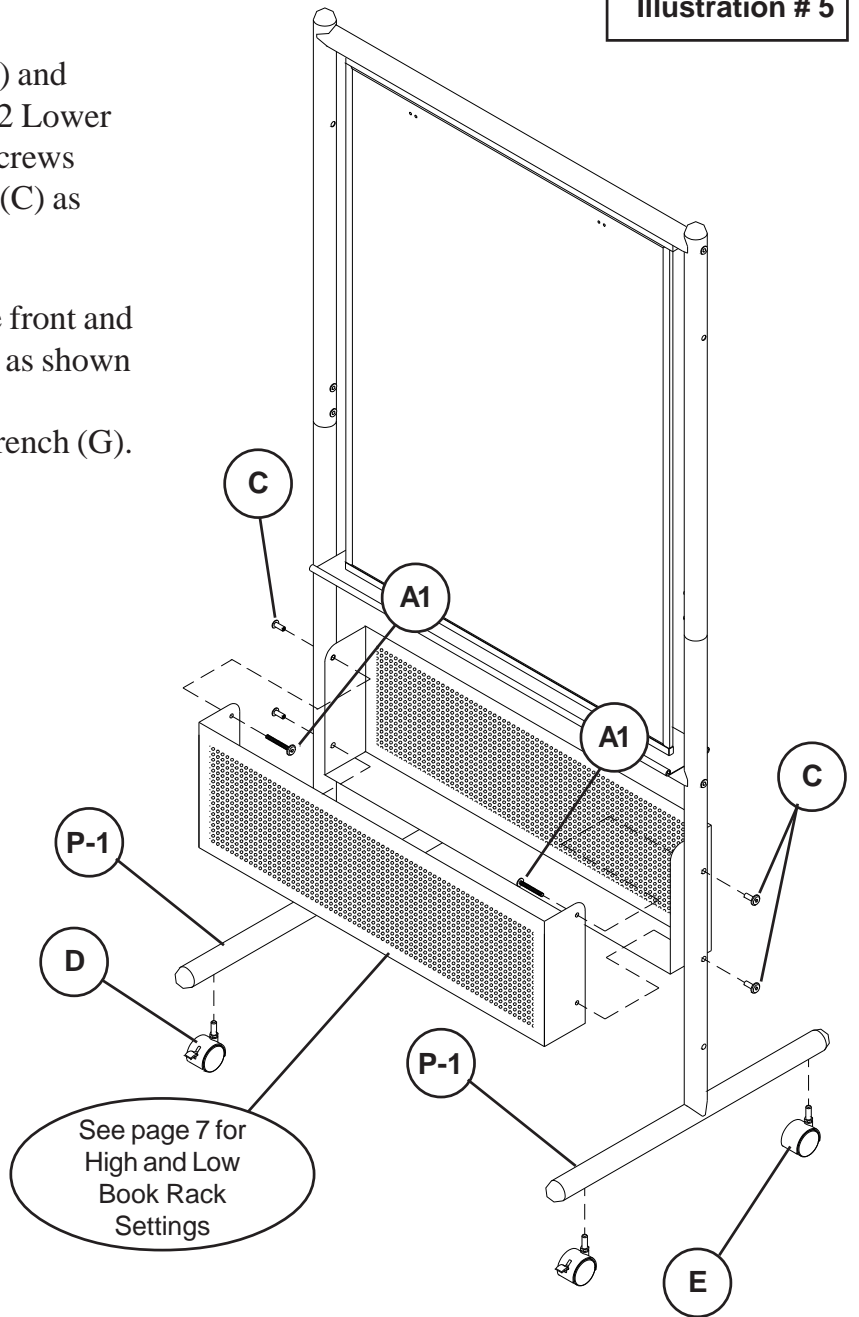


Illustration # 6-A

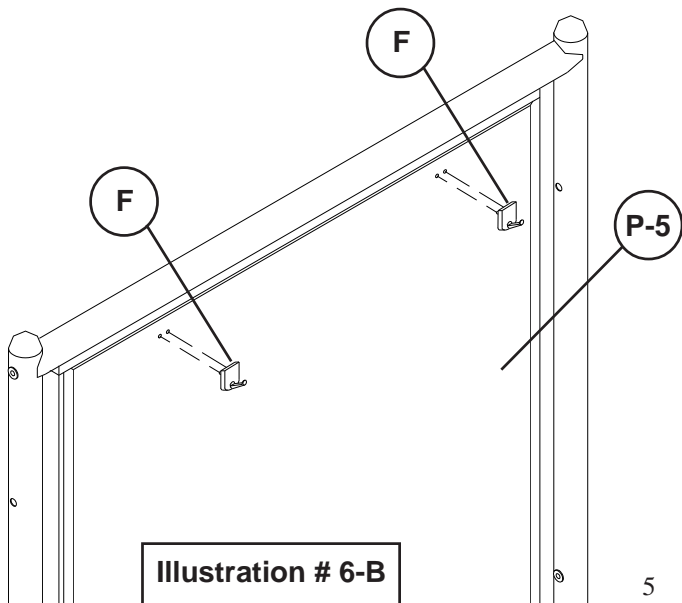


Illustration # 6-B

9. Attach 2 Plastic Chart Supports on each side of board: Insert 2 pins on back side of Chart Support (F) through holes in markerboard (P-5) as shown in illustration # 6-B.
10. Press Plastic Chart Support (F) firmly to the Markerboard surface.

Nest Easel

Adjustable Height Easel w/Storage Bin

