

***Best-Rite Nest Easel -
2 Sided Porcelain Whiteboard
with Black Frame***

Instruction Manual



Provided by

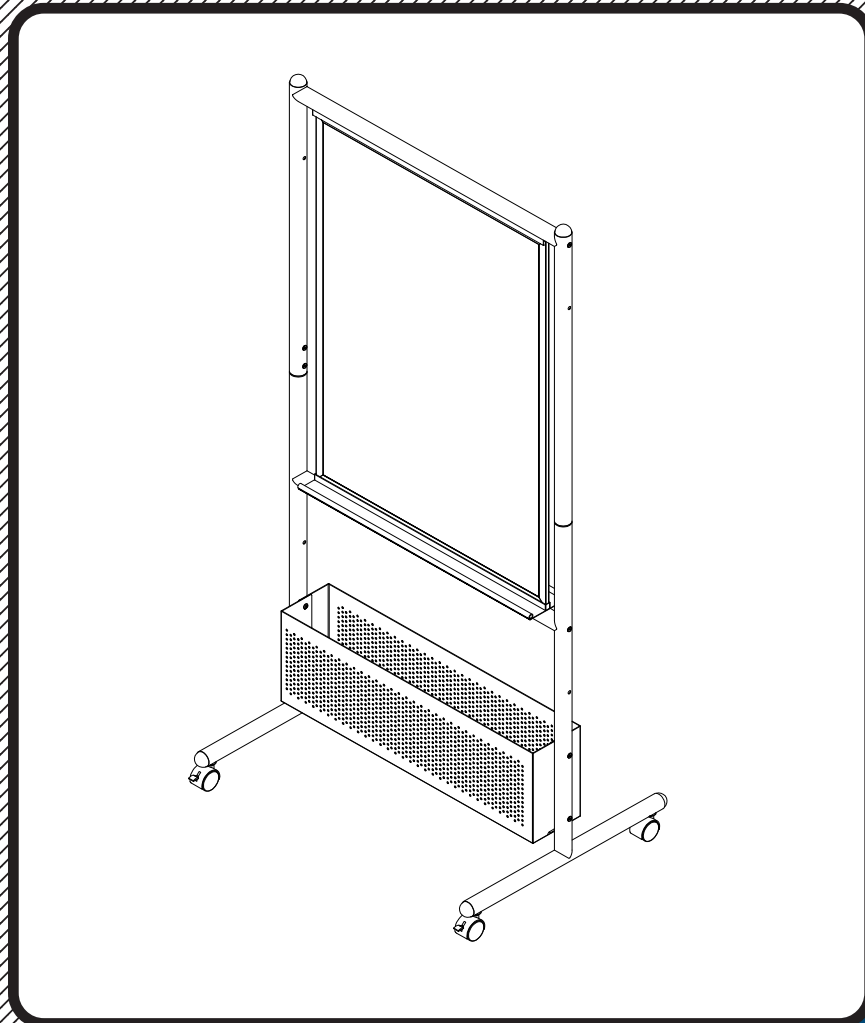
MyBinding.com

When Image Matters.

Call Us at 1-800-944-4573

Nest Easel

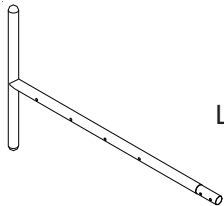
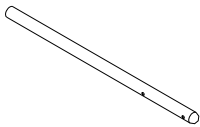
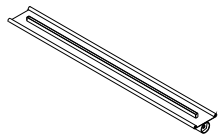
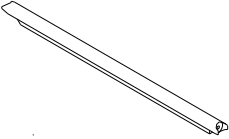
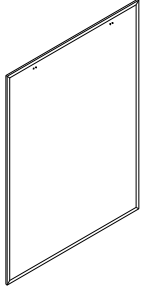
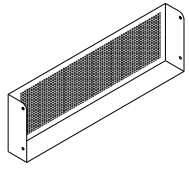
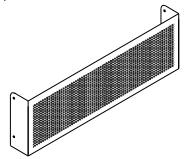
Adjustable Height Easel w/Storage Bin




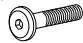
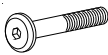
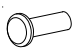





Assembly Instructions

Nest Easel

Adjustable Height Easel w/Storage Bin

Part	Drawing	Description	Qty
P-1		Lower Leg	2 EA
P-2		Upper Leg	2 EA
P-3		Middle Tray	1 EA
P-4		Top Support	1 EA
P-5		Markerboard	1 EA
P-6		Bookrack-Back	1 EA
P-7		Bookrack-Front	1 EA

Hardware List

A		9/16" Socket Screw	4 EA
A1		1-3/32" Socket Screw	4 EA
B		2-3/8" Socket Screw	4 EA
C		Interior Threaded Post	4 EA
D		2" Locking Caster (for front)	2 EA
E		2" Caster (for Back)	2 EA
F		Plastic Chart Support	4 EA
G		Allen Wrench	2 EA
H		Caster Wrench	1 EA

Nest Easel Assembly Diagram

Illustration # 1

READ THROUGH INSTRUCTIONS FROM BEGINNING TO END BEFORE STARTING TO ASSEMBLE UNIT.

To Assemble:

1. Identify and Separate all the Parts and Hardware.
2. Attach Middle Tray (P-3) to 2 Lower Legs (P-1) at desired height using 2 Socket Screws (B) as shown in illustration # 1.
(Finger tighten only)

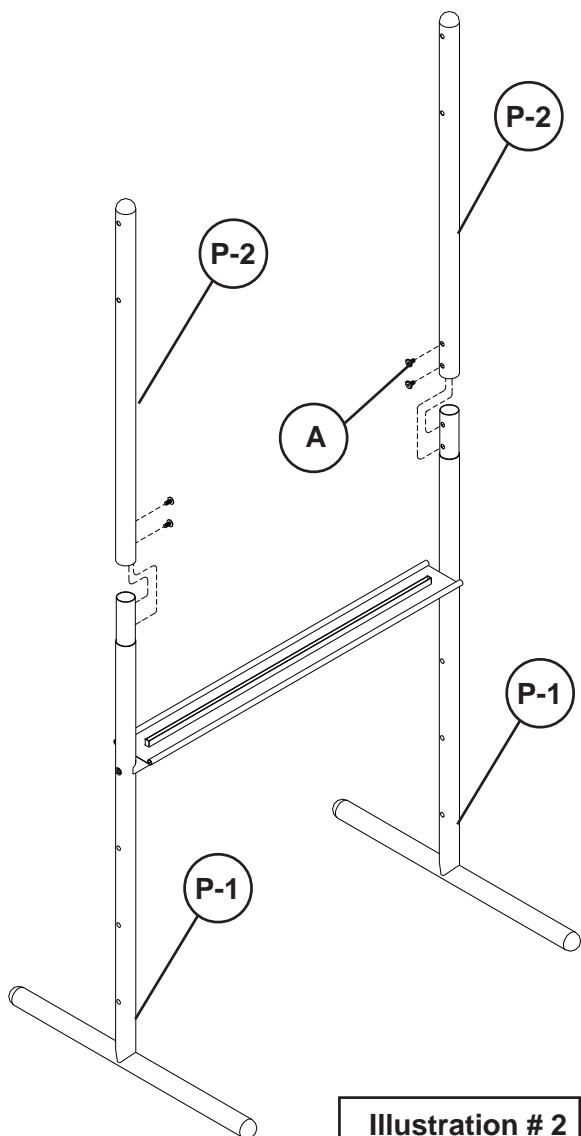
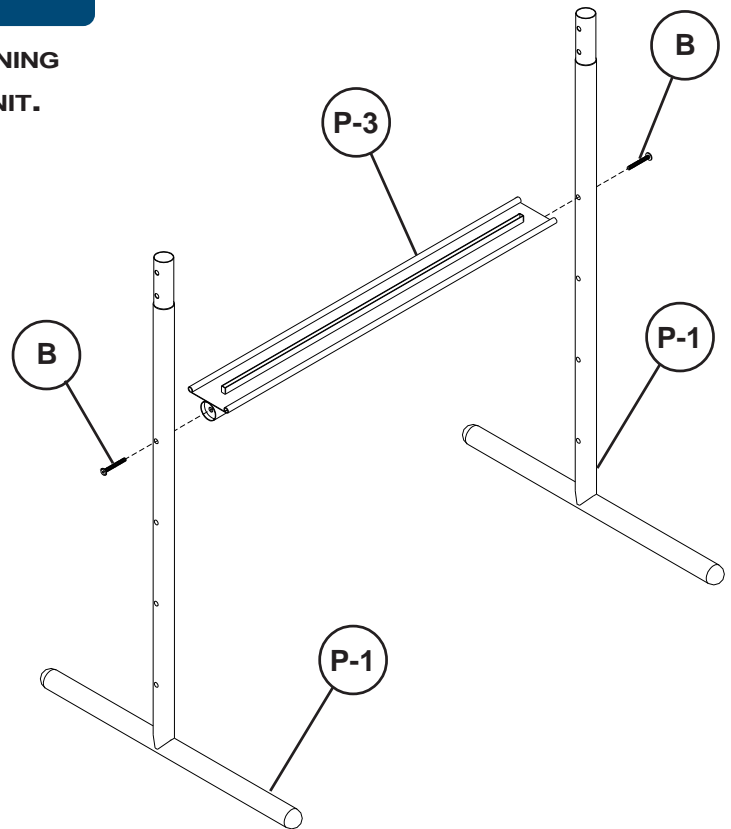


Illustration # 2

3. Attach 2 each Upper Legs (P-2) to the 2 each Lower Legs (P-1) using 4 Socket Screws (A) as shown in illustration # 2.
(Finger tighten only)

4. Insert Markerboard (P-5) into Middle Tray (P-3) as shown in illustration # 3.

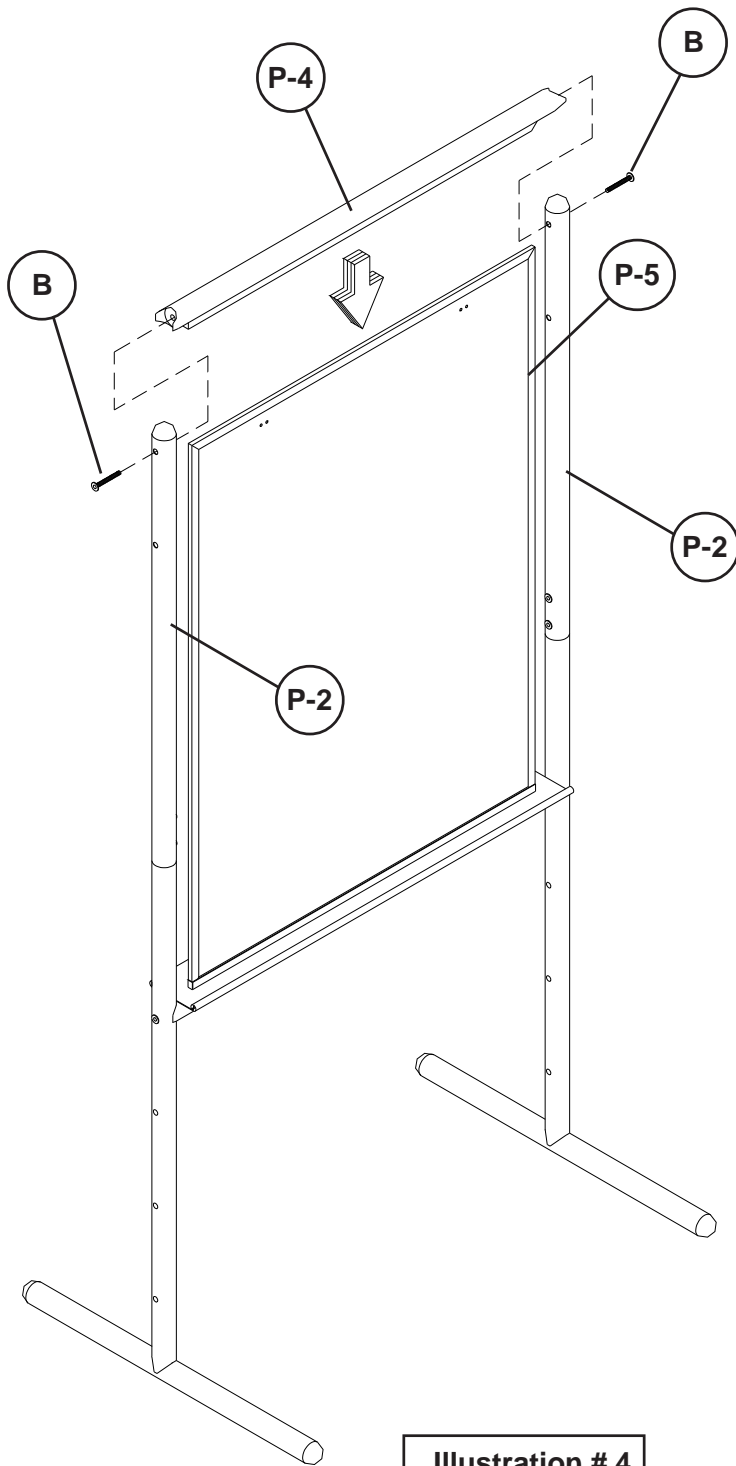
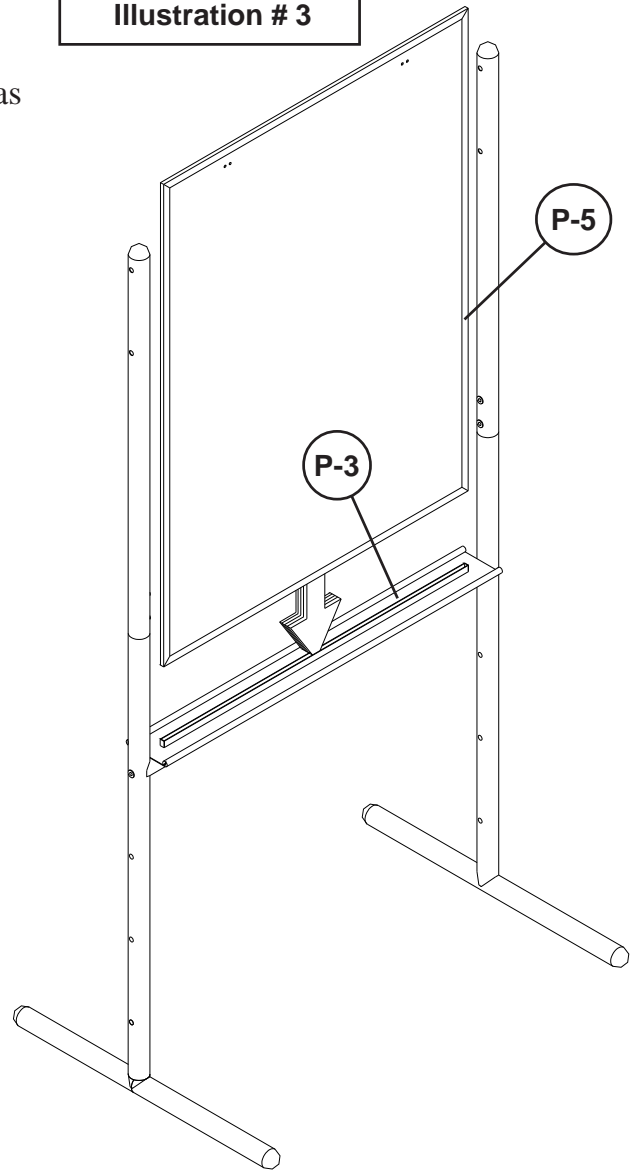


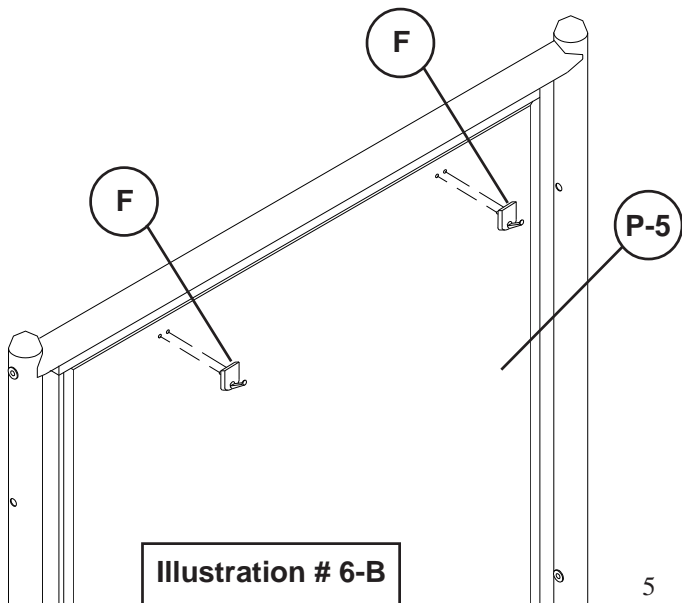
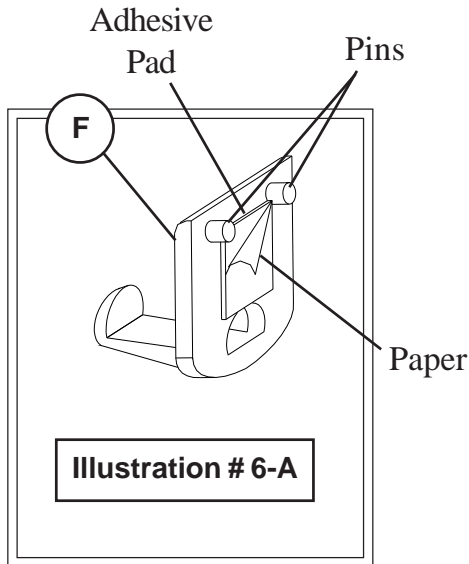
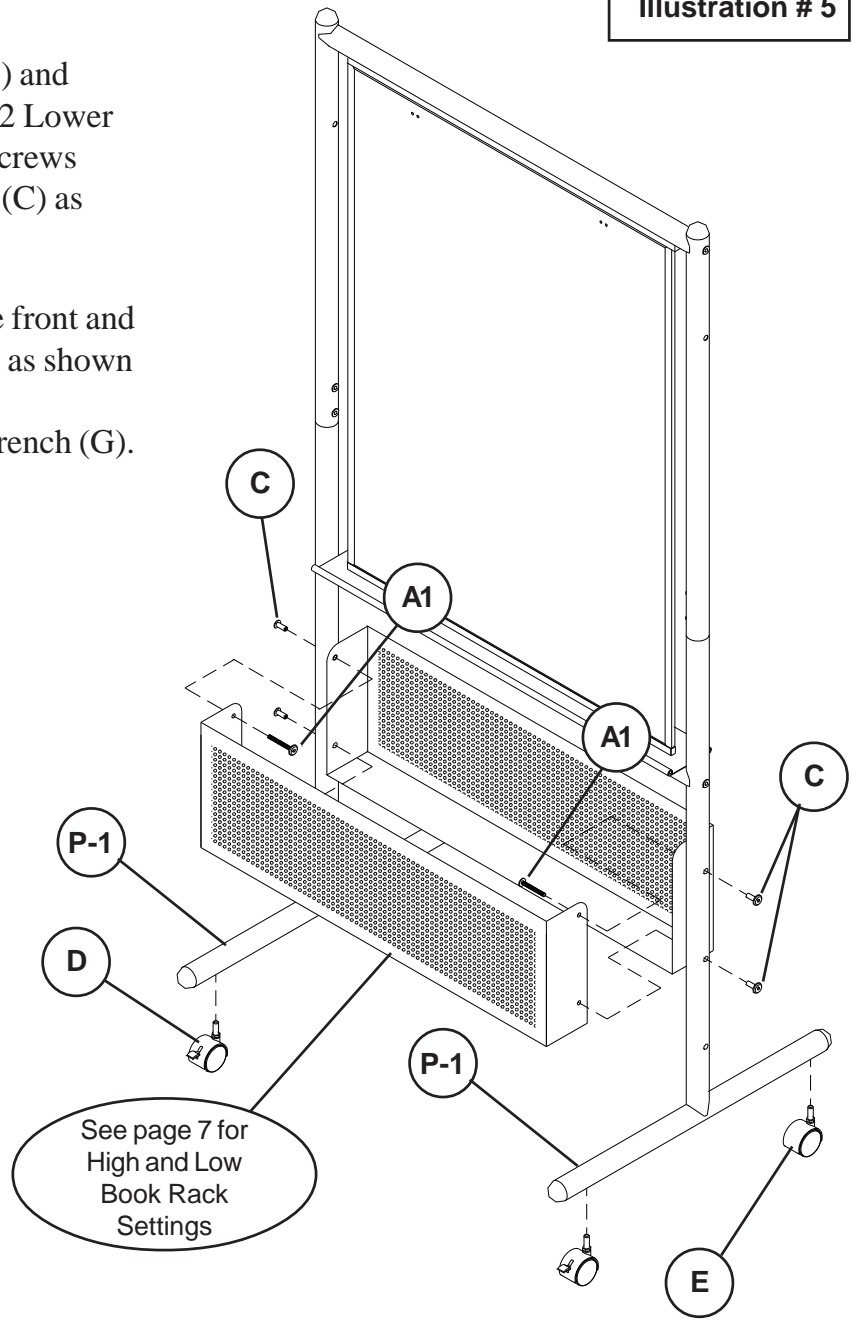
Illustration # 4

Illustration # 3



5. Slide Top Support (P-4) over Markerboard (P-5) and secure to the 2 Upper Legs(P-2) using 2 each Socket Screws(B) as shown in illustration # 4. (**Finger tighten only**)

6. Attach Book Rack Front Panel (P-7) and Book Rack Back Panel (P-6) to the 2 Lower Leg Frames (P-1) using 4 Socket Screws (A1) and 4 Interior Threaded Posts (C) as shown in illustration # 5.
7. Attach 2 Locking Casters (D) in the front and 2 Casters (E) in the back of the unit as shown in illustration # 5.
Tighten the Casters using Caster Wrench (G).
(Tighten all Screws at this time)
8. Peel the paper from the back of adhesive pad on Plastic Chart Support (F).
(See Illustration # 6-A)



9. Attach 2 Plastic Chart Supports on each side of board: Insert 2 pins on back side of Chart Support (F) through holes in markerboard (P-5) as shown in illustration # 6-B.
10. Press Plastic Chart Support (F) firmly to the Markerboard surface.

Nest Easel

Adjustable Height Easel w/Storage Bin

