

Best-Rite Baby Folding Wheasel with Tubs - 784T

Instruction Manual



Provided by

MyBinding.com
When Image Matters.

Call Us at 1-800-944-4573

BEST-RITE®

Since 1950

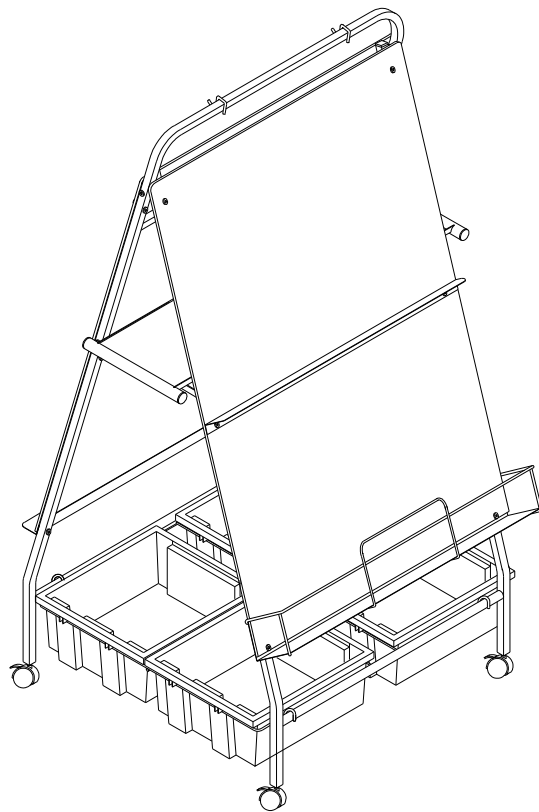
“It’s A Better Board”

www.bestrite.com

Baby Folding Wheasel®

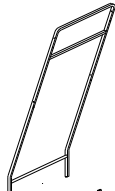
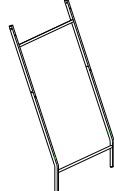


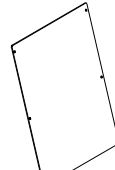
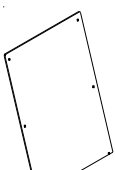
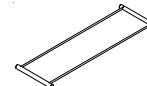
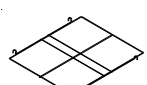
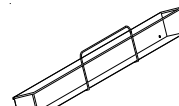

784-T

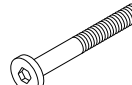
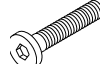







Foldable Easel on Wheels w/ Book Rack and
Shelf and 4-Tubs



Assembly Instructions

Baby Folding Wheasel® (Foldable Easel on Wheels)

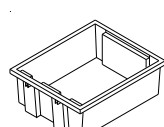
Part	Drawing	Description	Qty
P-1		Leg (wide)	1 EA
P-2		Leg (narrow)	1 EA
P-3		Side Hinge	2 EA
P-4		Board Tray	2 EA
P-5		Marker Board (wide leg)	1 EA
P-6		Marker Board (narrow leg)	1 EA
P-7		Top Shelf	1 EA
P-8		Tubs Rack	1 EA
P-9		Wire Book Rack	1 EA
P-10		Flip Chart Hook	2 EA

Hardware List			
A		2" Socket Screw	2 EA
B		1 1/4" Socket Screw	4 EA
C		5/8" Socket Screw	12 EA
D		Screw Post	12 EA
E		Flat Washer	6 EA
F		Lock Nut	6 EA
G		2" Locking Caster	4 EA
H		Allen Wrench	2 EA
I		Caster Wrench	1 EA

Tool required: Adjustable Crescent Wrench

Should you require assistance during assembly, please call our Customer Service Department Monday - Friday 8 a.m. - 5 p.m. Central Standard Time Toll-Free Customer Service

1-800-749-2258

Part	Drawing	Description	Qty
P-11		Tubs	4 EA

Baby Folding Wheasel[®] w/tubs

Assembly Instructions

READ THROUGH INSTRUCTIONS FROM BEGINNING TO END BEFORE STARTING TO ASSEMBLE UNIT.

To Assemble:

1. Identify and Separate all the Parts and Hardware.
2. Assemble Legs (P-1) and (P-2) at the top by using 2" Socket Screws (A). Place the Flat Washer (E) in between the legs and tighten the Lock Nut (F). Hold with the Adjustable Crescent Wrench and rotate the Socket Screw (A) with Allen Wrench (H). See illustrations #1 and #1a.

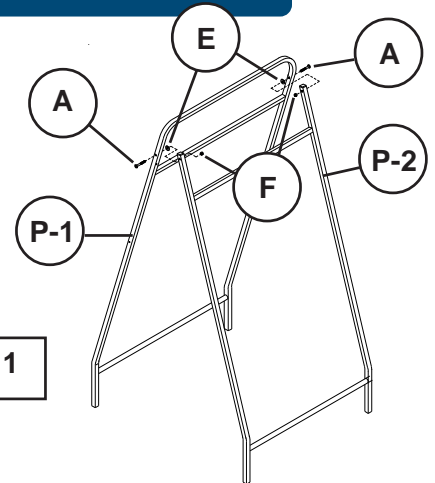


Illustration # 1

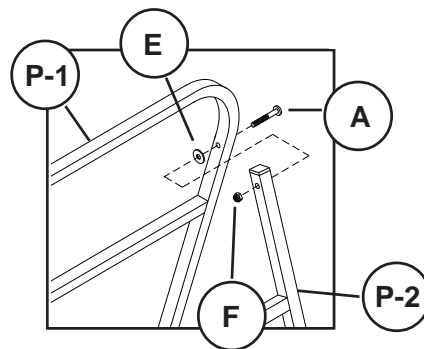


Illustration # 1a

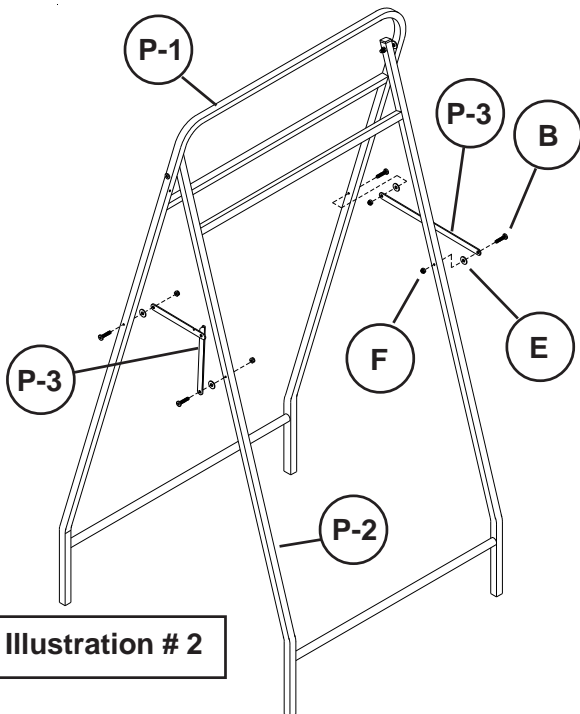
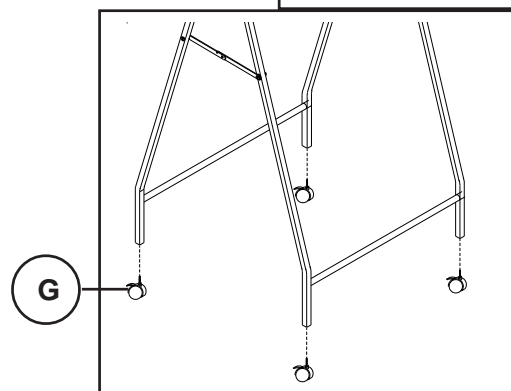


Illustration # 2

3. Assemble Side Hinges (P-3) by using 1 1/4" Socket Screw (B). Place the Flat Washer (E) in between the Side Hinge (P-3) and legs and fasten from inside with Lock Nut (F). Tighten by holding the Lock Nut (F) with the Adjustable Crescent Wrench and turn the 1 1/4" Socket Screw (B) with Allen Wrench (H). See illustrations #2.

Illustration # 3



4. Assemble Casters (G) by turning the unit to it's side and fasten by using Caster Wrench (I). See illustrations #3.

- Assemble Marker Board (P-5) by inserting 5/8" Socket Screw (C) through the Marker Board (P-5) and through the Board Tray (P-4). Insert board and tray through the Leg (P-1). Use the Screw Post (D) from the back of the Leg (P-1) and tighten by using Allen Wrenches (H). See illustrations #4.

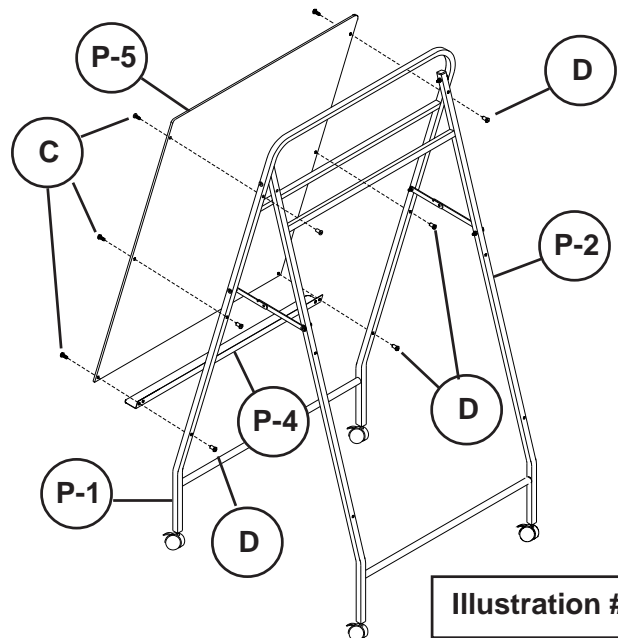


Illustration # 4

- Assemble Marker Board (P-6) by inserting 5/8" Socket Screw (C) through the Marker Board (P-6), and Board Tray (P-4). Insert board and tray through the Leg (P-2) in the mid section of the Board. At the bottom, slide the Wire Book Rack (P-9) in between the Leg (P-2) and the Board (P-6) and insert 5/8" Socket Screws (C) through. Fasten from the back of the leg by using Screw Posts (D) and tighten with Allen Wrench (H) . See illustrations #5.

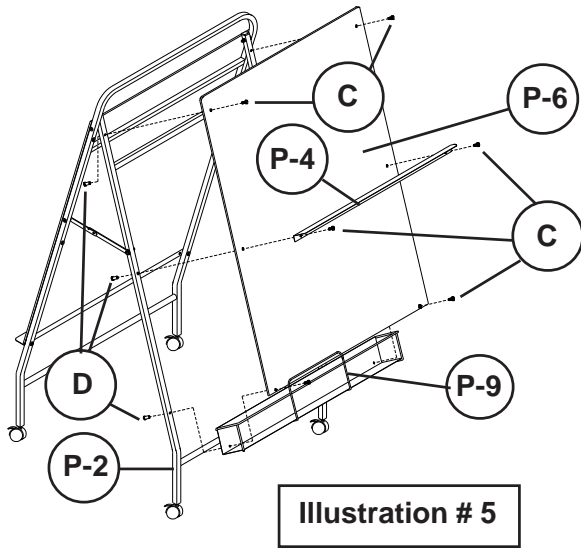


Illustration # 5

- Fold the legs slightly by folding the Side Hinges (P-3) Place the Tubs Rack (P-8) over cross bars on the Legs (P-1) and (P-2) bottom cross bars. Separate the legs until the four hooks of the Tubs Rack (P-8)

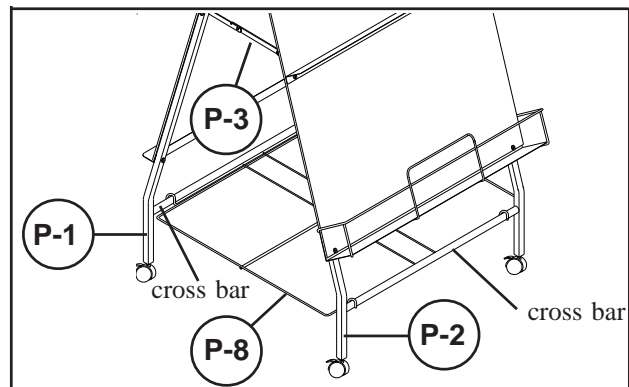


Illustration # 6

- Place the Top Shelf (P-7) by simply turning the shelf and sliding through the legs. Top Shelf (P-7) should rest over the Side Hinges (P-3). To place the Flip Chart Hooks (P-10) simply set the hooks over the top of the Leg (P-1) tube. Place the Tubs (P-11) over the Tub Racks (P-8). See illustrations #7.

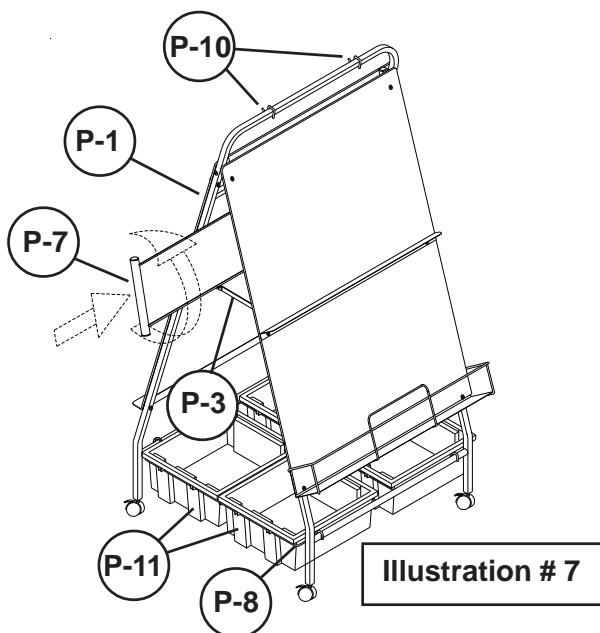


Illustration # 7