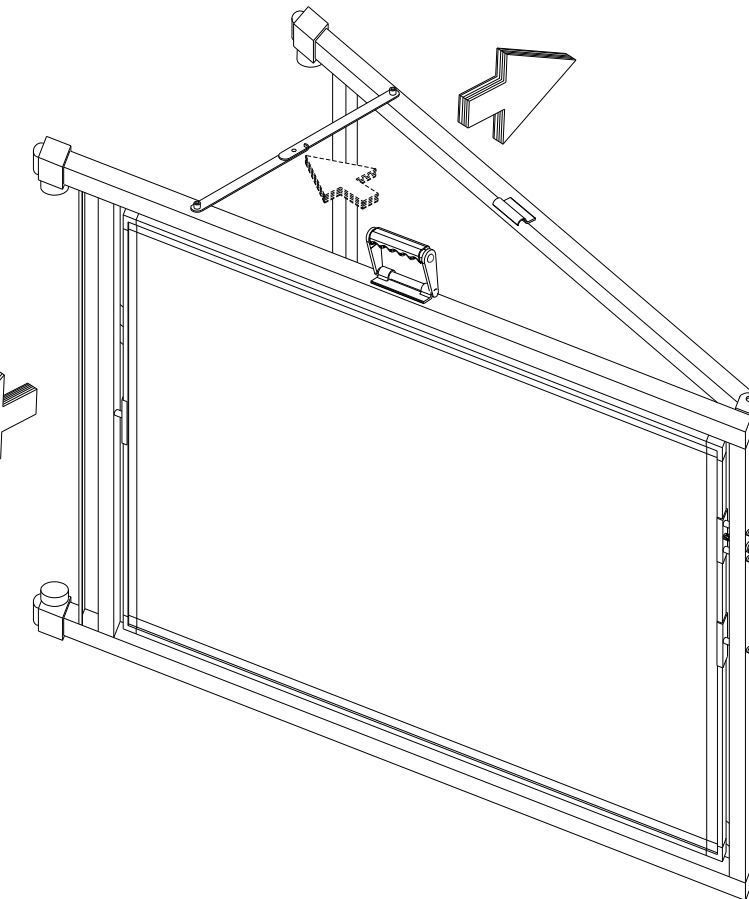
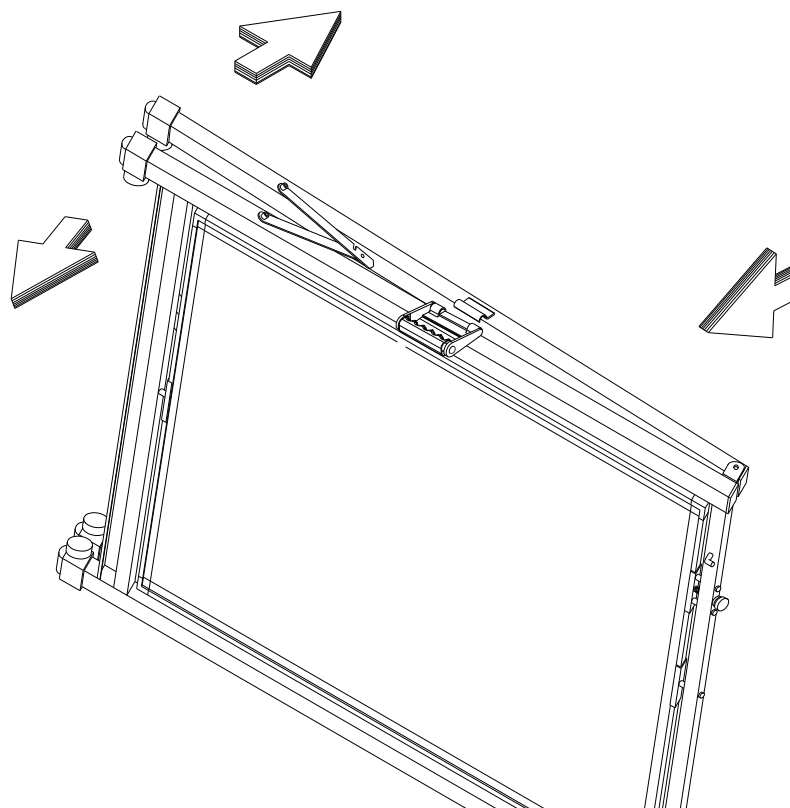
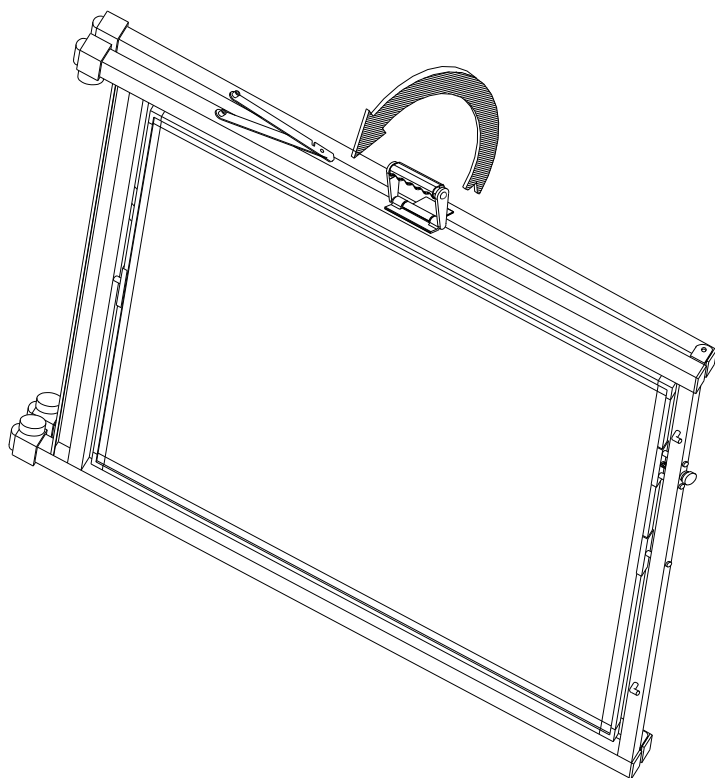
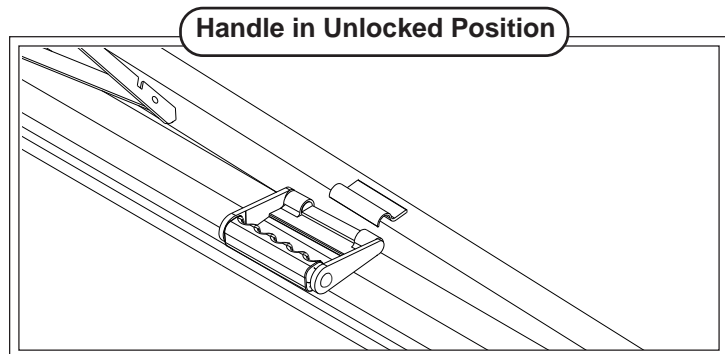
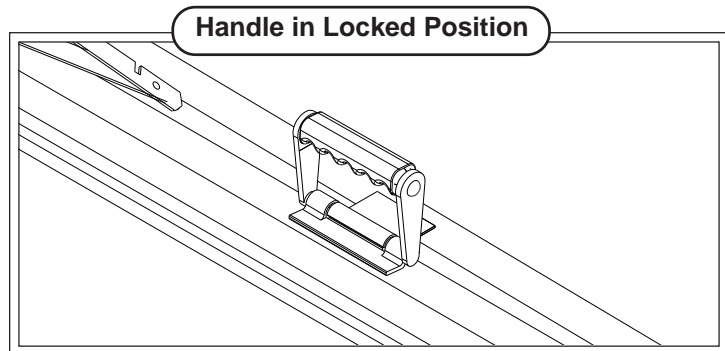


Locking Handle Details

1 Rotate hand 90° to Unlock Legs

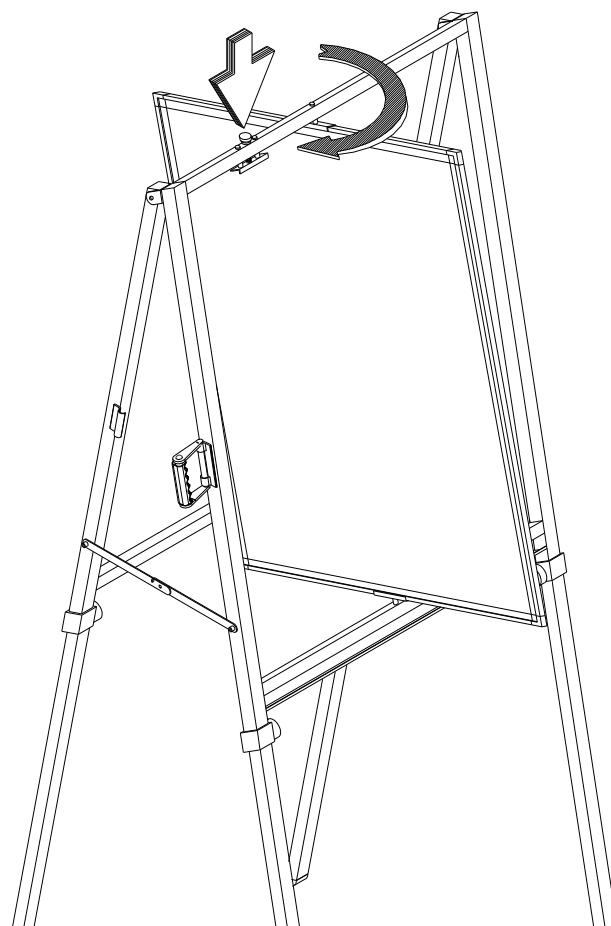
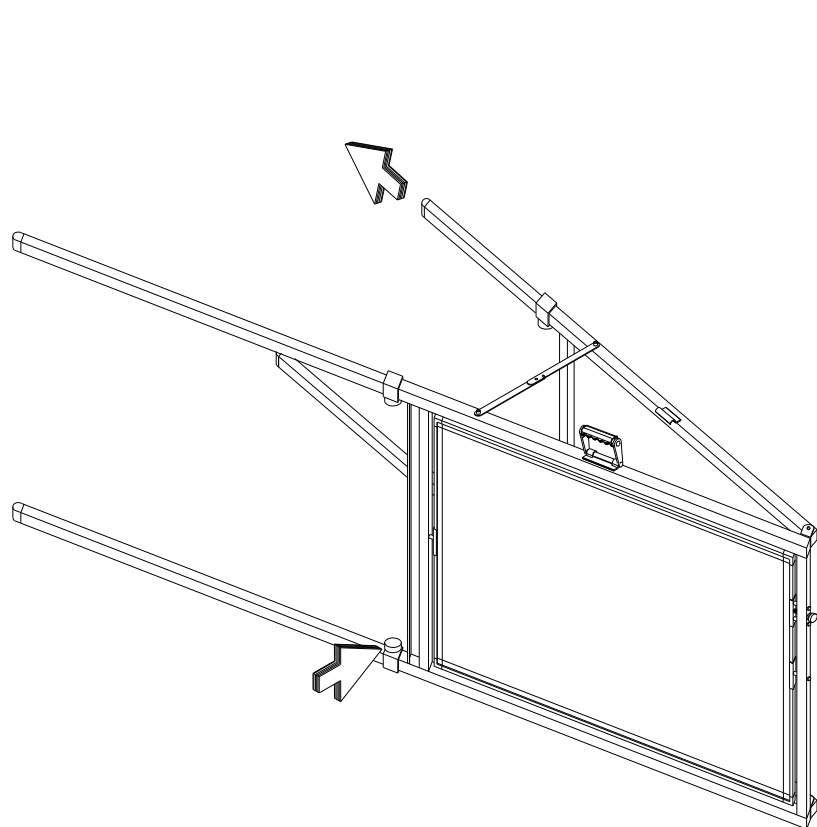
2 Spread legs

3 Press down to lock Extension Braces on both sides.



4 Loosen Knobs and Extend Legs to Desired Height. Tighten Knobs.

5 Pull up on Knob as indicated by arrow to rotate board.



Spinner Easel #799

