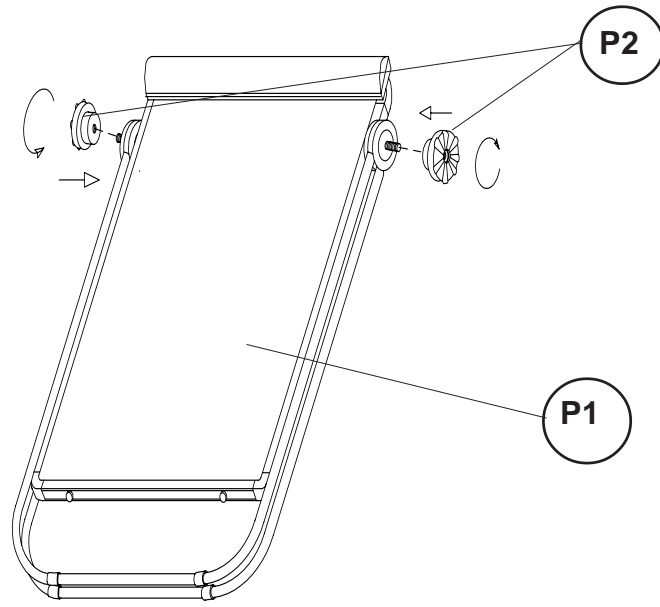
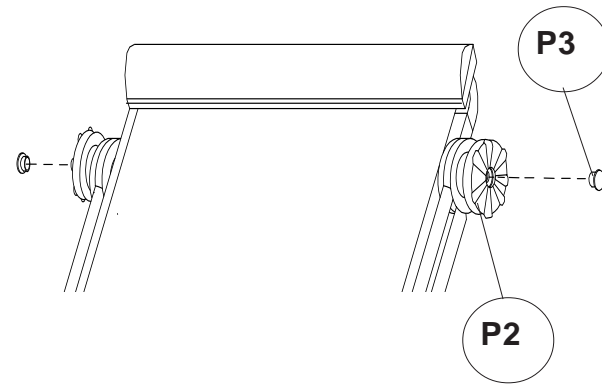


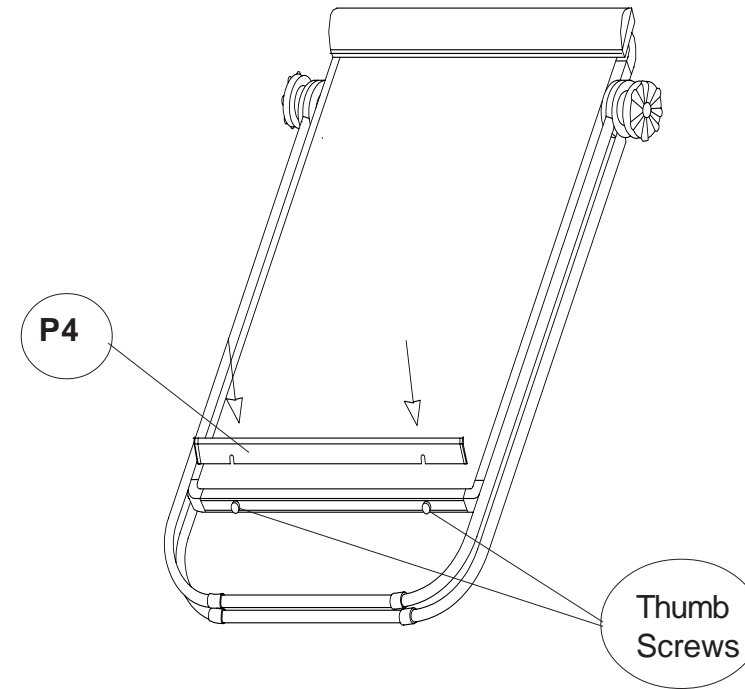
**1** Screw on a Knob (P2) on the threaded stud on each side of Easel Frame (P1)



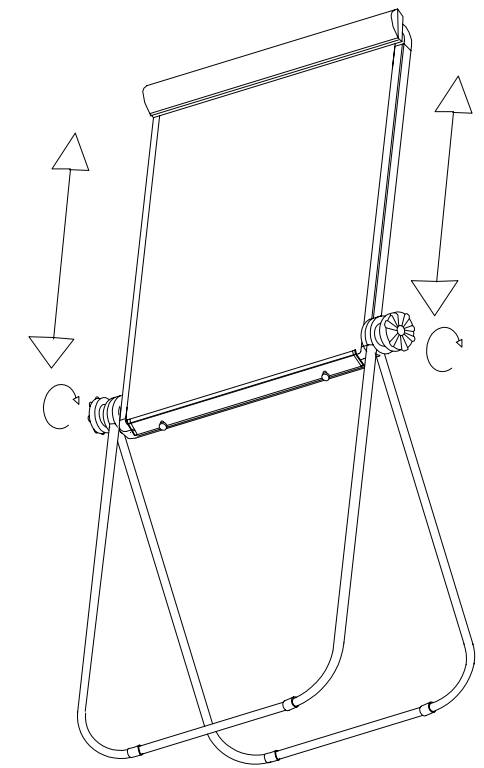
**2** Push in a Cap (P3) in each Knob (P2)



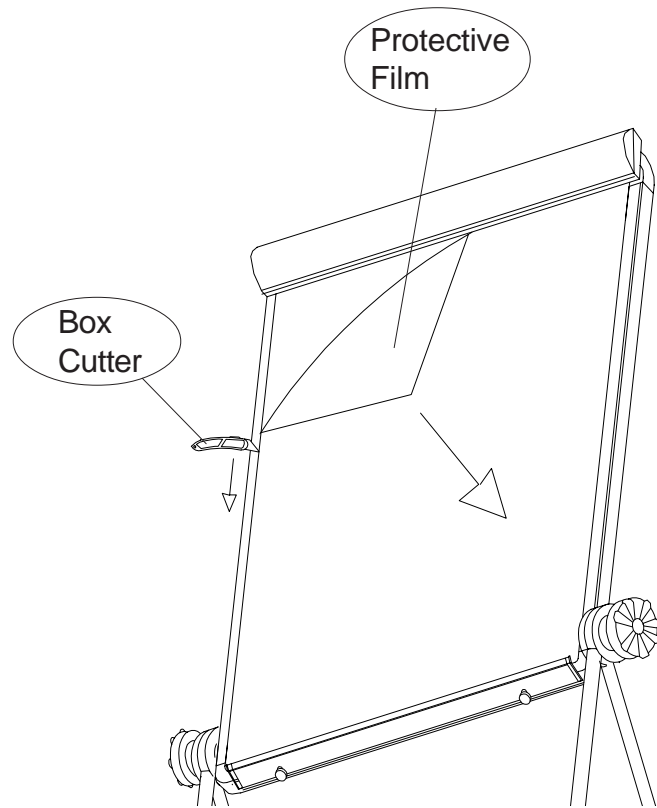
**3** Loosen the Thumb Screws on the bottom of Easel Frame (P1). Attach Tray (P4) and tighten Thumb Screws



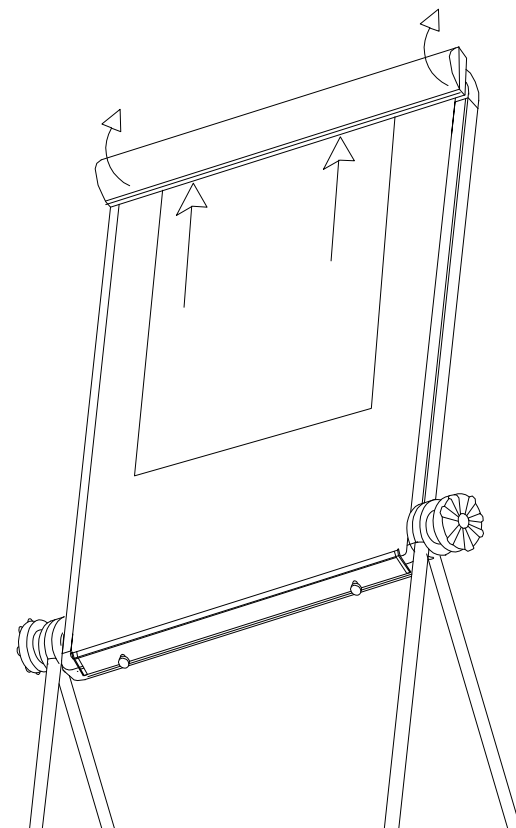
**4** Spread the legs and Loosen the Knobs (P2). Raise the board and tighten the Knobs

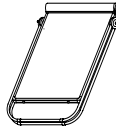


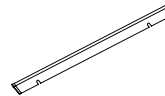




**5** Cut the protective film next to the trim with a box cutter and peel it off each board's surface.



**6** Lift the Clip Board top to insert and hold paper or tablet.



Parts List		
P1		Easel Frame 1 EA
P2		Knob 2 EA
P3		Cap 2 EA
P4		Tray 1 EA
P5		Magnets 3 EA
P6		Eraser 1 EA

## 37127

### #820 Mega Easel

