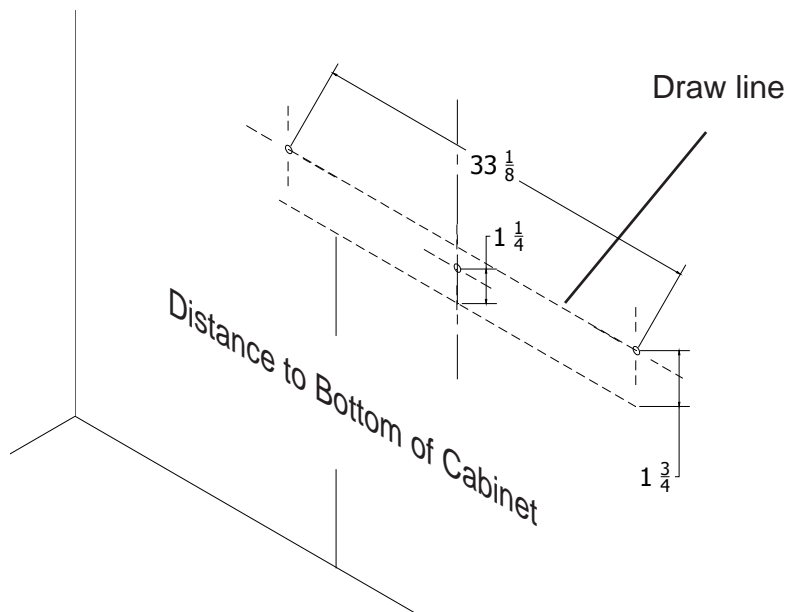
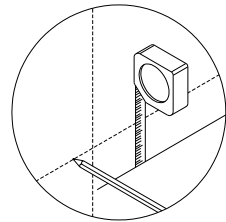


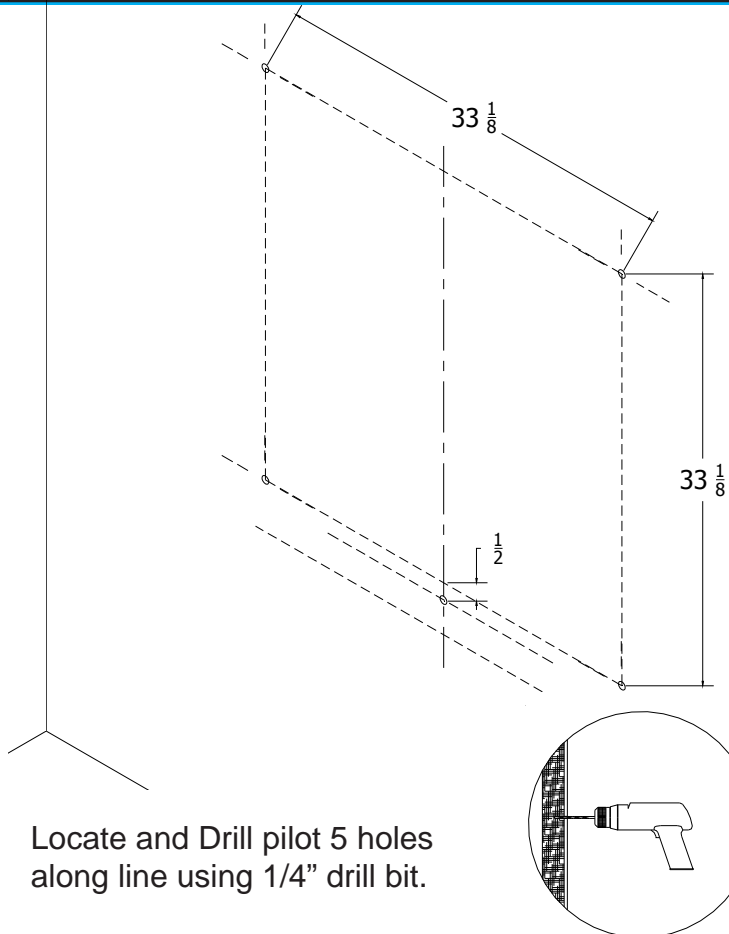
1 Locate bottom of cabinet



Determine location for bottom of Cabinet. Mark location with a pencil line. Measure up from bottom edge of Cabinet 1-1/4 and draw line as shown. Measure up from bottom edge of Cabinet 1-3/4" and draw line as shown.

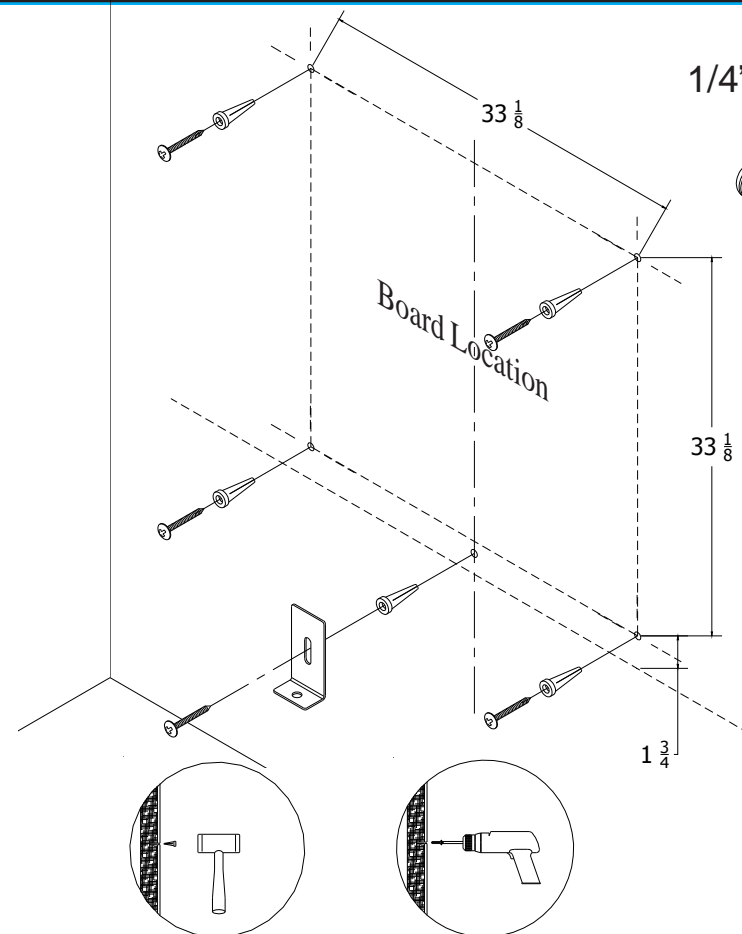


2 Locate centers of 4 holes and Drill as shown.

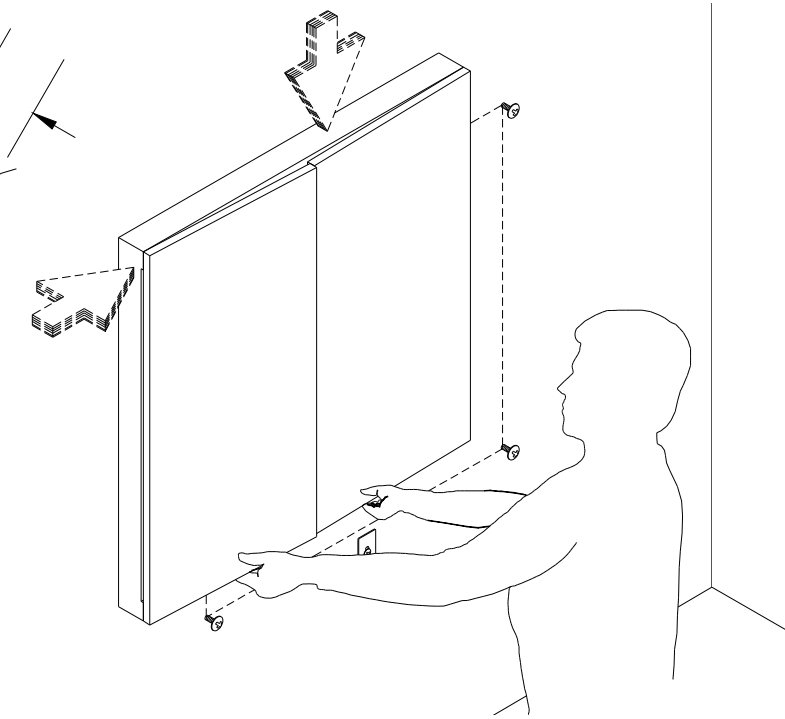


Locate and Drill pilot 5 holes along line using 1/4" drill bit.

3 Install 4 Wall Anchors (B). Insert 4 Screws (A) as shown.



4 Align Brackets with Screws and hang Cabinet.

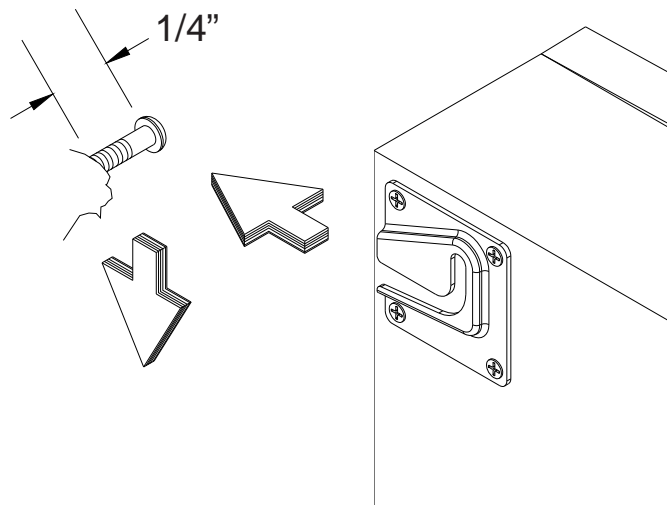


Align brackets on back of cabinet with screws. slide Cabinet to the right about 1-1/4" until it slides down.

5 Align Brackets with Screws and hang Cabinet.

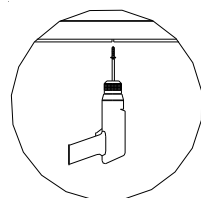
5 Attach Security Bracket to bottom of Cabinet.

Detail View bracket-Screw



Be sure the Head of the Screw is 1/4" away from wall.

Align brackets on back of cabinet with screws. slide Cabinet to the right about 1-1/4" until it slides down.



Parts List

P1	Cabinet	1 EA
----	---------	------

Hardware List

A	Short Screw	1 EA
B	Long Screw	5 EA
C	Plastic Screw Anchor	5 EA
D	Security Bracket	1 EA

841
3'X3' Wall Mount Markerboard Cabinet - Oak

