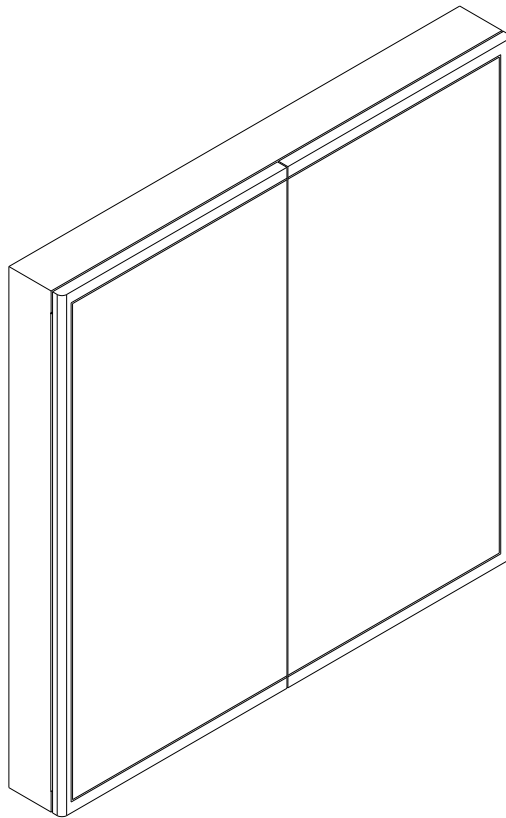




Best-Rite™

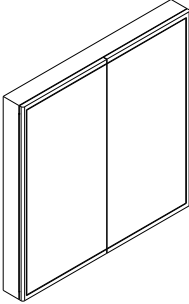
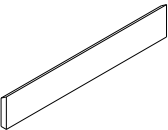
842 Wood Conference Cabinet

with markerboard/tack surface

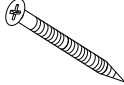


Assembly Instructions

Wood Conference Cabinet with markerboard/tack surface

Part	Drawing	Description	Qty
P-1		Wood Conference Cabinet 1 EA	
P-2		Mounting Board 2 EA	

Hardware List

A		Wood Screw 6 EA
---	--	-----------------

*Should you require assistance during assembly, please call our Customer Service Department Monday - Friday 8 a.m. - 5 p.m. Central Standard Time Toll-Free Customer Service **1-800-749-2258***

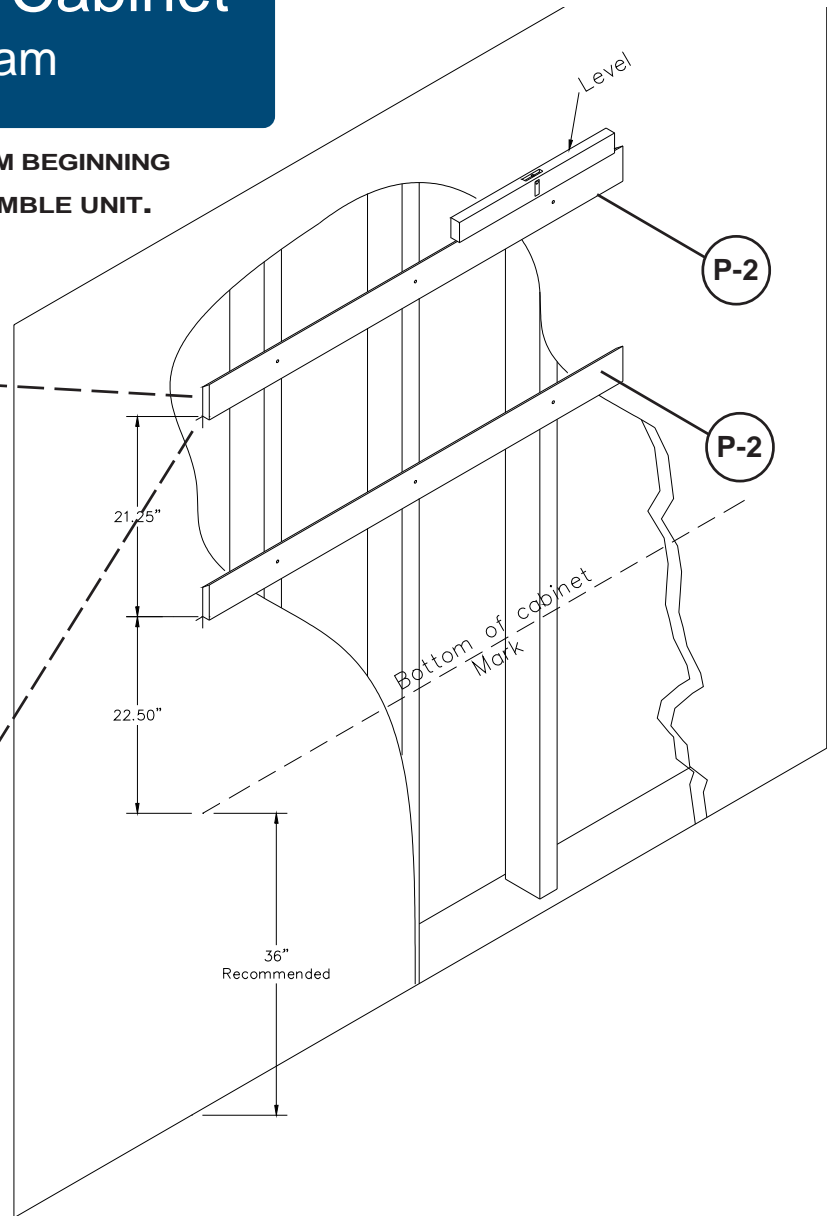
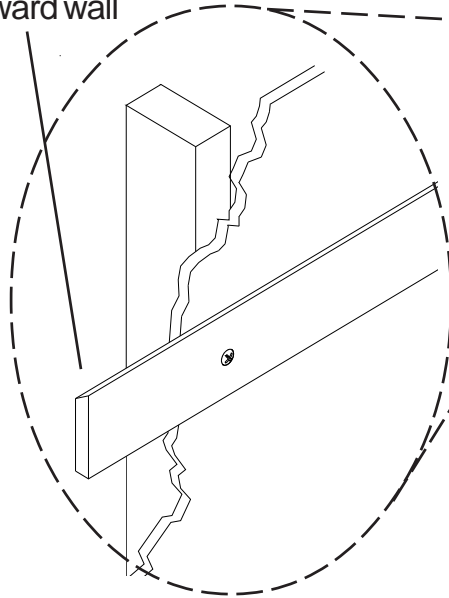
Missing Parts or UPS Damaged Parts
For Your Convenience you can EMAIL us at **support@moorecoinc.com**
24HOURS 7 DAYS A WEEK

Do not use unless all screws are tight. At least every six months, check all screws to be sure they are tight. If parts are missing, broken, damaged, or worn, stop use of the product until repairs are made by your dealer using factory authorized parts.

Wood Conference Cabinet Assembly Diagram

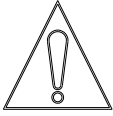
READ THROUGH INSTRUCTIONS FROM BEGINNING TO END BEFORE STARTING TO ASSEMBLE UNIT.

Note: Beveled edge toward wall



To Assemble:

1. Identify and Separate all the Parts and Hardware.
2. Locate 3 Wall Studs on the wall where the Cabinet is to be Placed.
3. Draw a line where the bottom of the Cabinet should be (36" is the recommended height)
4. Locate the 2 each Mounting Boards (P-2) and 6 each Screws (A).
5. Attach the first Mounting Board (P-2) 22½" from where the bottom of the cabinet is to be located using 3 each Screws (A). **(Be sure board is level)**
6. Attach the second Mounting Board (P-2) 21¼" from the bottom of the first Mounting Board (P-2) using 3 each Screws (A). **(Be sure board is level)**



**(This unit weighs over 100 lbs.
Two adults are required to hang
this unit on the wall.)**

7. Lift Wall Cabinet (P-1) from the both sides and Hang unit on the 2 each Mounting Boards (P-2) as indicated in illustrations #2,3 & Side Details 4A and 4B

Illustration # 2

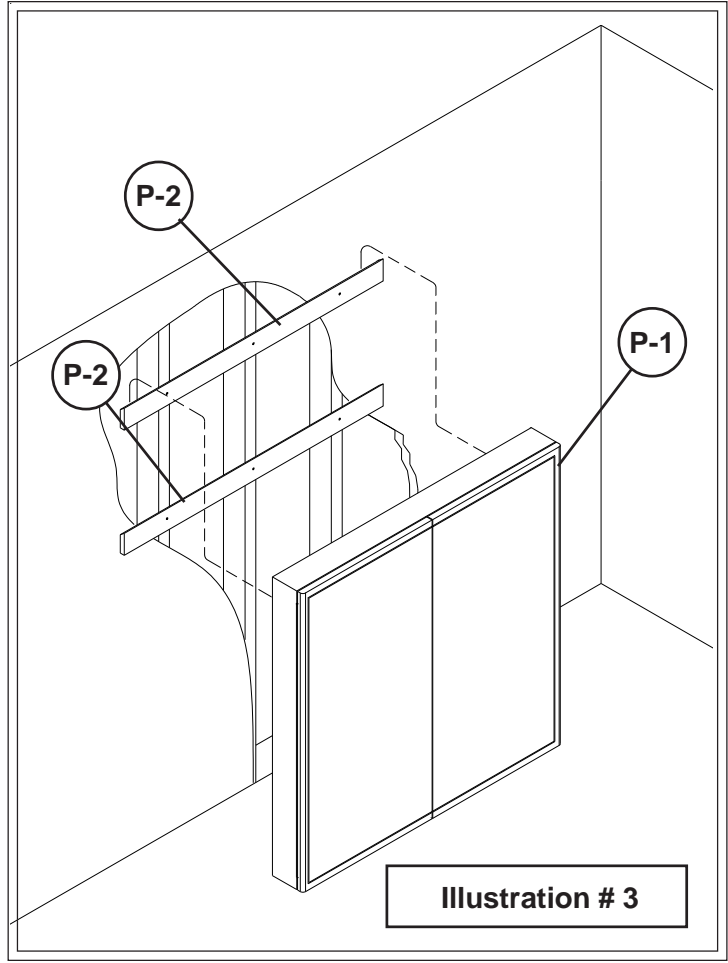
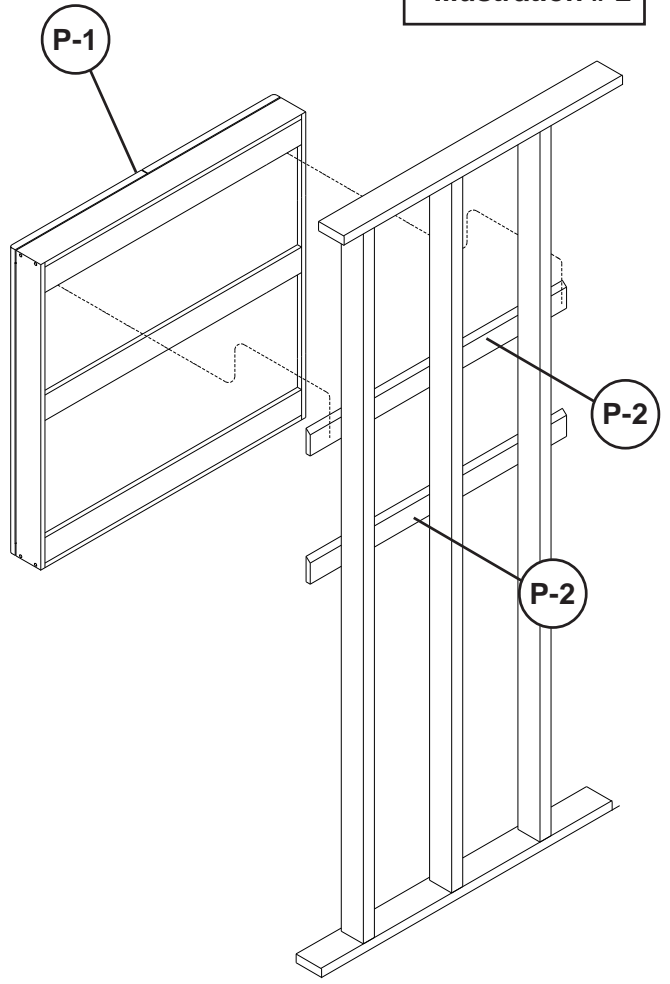
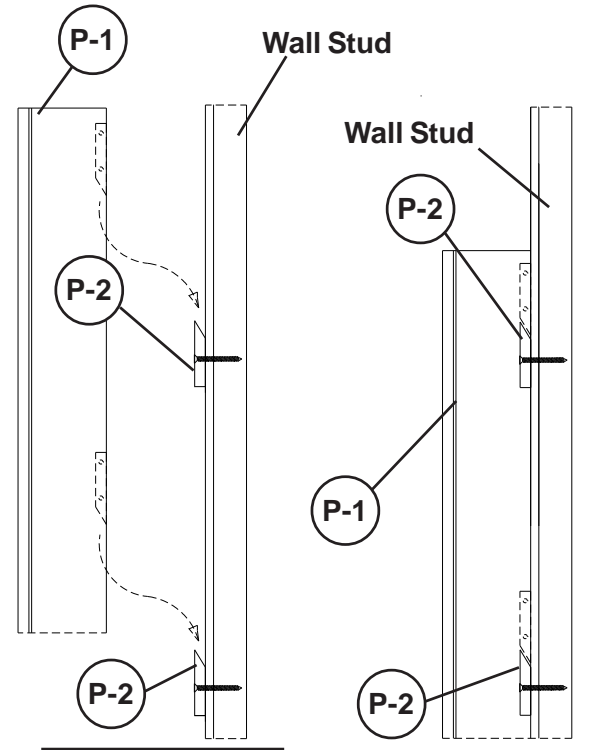


Illustration # 3



Side Detail # 4A

Side Detail # 4B