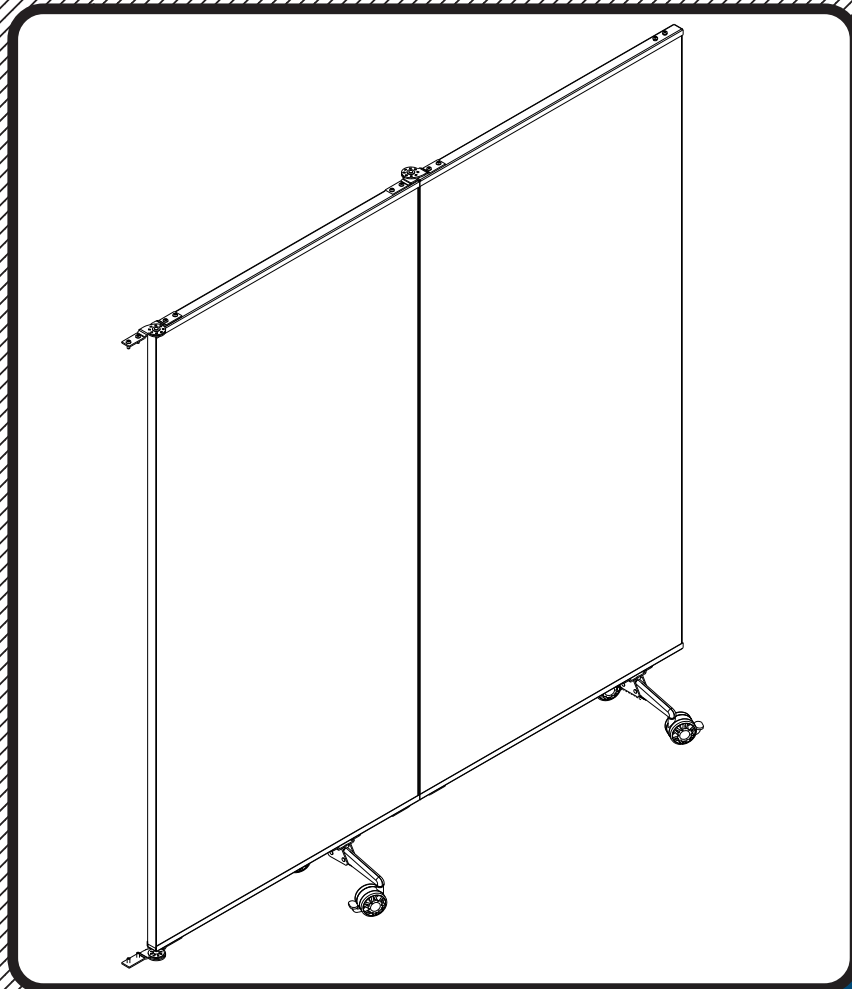


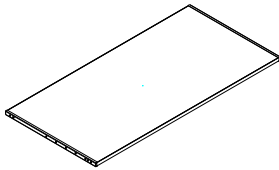
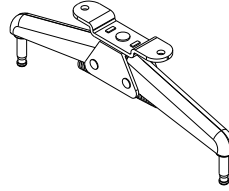
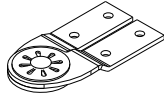


# Great Divide Add-On Panel



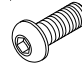
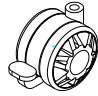
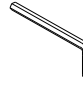
## Assembly Instructions

# Great Divide Add-On Panel

Part	Drawing	Description	Qty
P-2		Middle Panel	2 EA
P-4		Spring Assisted Foot Assembly	2 EA
P-6		Hinge	4 EA

**Hardware List**

A		Screw M6X12mm See note on page 3	(12 EA)
B		2" Locking Caster	4 EA
D		Allen Wrench	1 EA

## Important

The BestRite product you have purchased is guaranteed against material and workmanship defects. This guarantee extends 1 year from date of purchase. Should this product fail to function satisfactorily under normal use due to defect or imperfection, the defective part or product will be replaced. Damage caused by common carriers during shipment is not included in this guarantee. Do not use unless all screws are tight. At least every six months, check all screws to be sure they are tight. If parts are missing, broken, damaged, or worn, stop use of the product until repairs are made by your dealer using factory authorized parts.

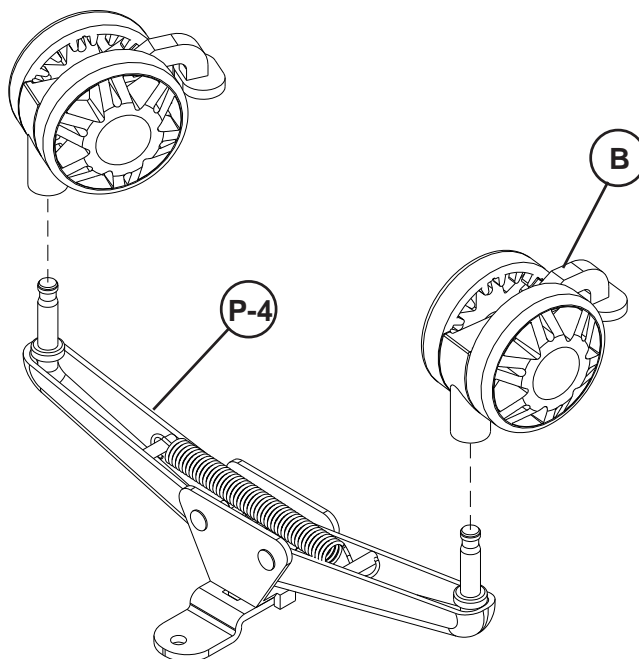
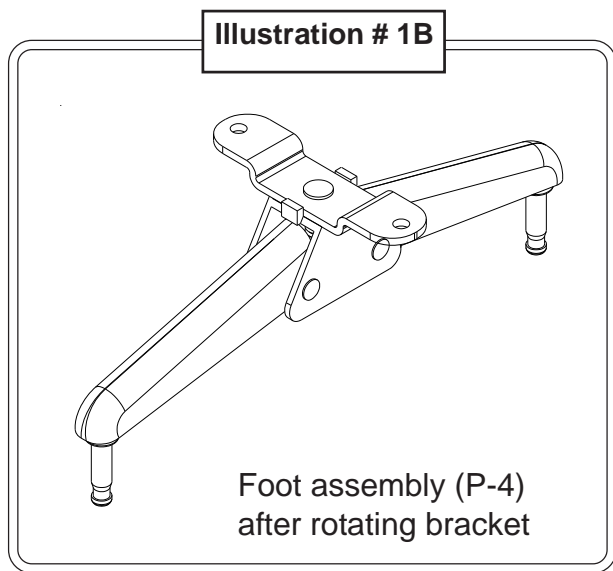
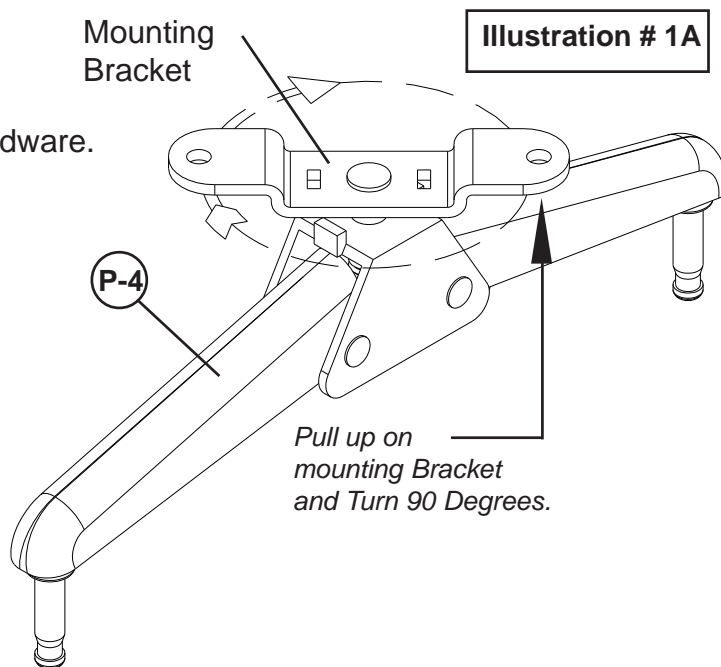
**This guarantee sets forth all applicable guarantees and remedies. No other warranty, expressed or implied shall apply. Failure to follow instructions found in Important Information Section of Owner Sheet shall void the guarantee. Consequential or incidental damages and or costs are not refundable.**

**READ THROUGH INSTRUCTIONS FROM BEGINNING TO END BEFORE STARTING TO ASSEMBLE UNIT.**

**NOTE:** Some screws (A) are installed by the factory for shipping purposes and must be removed and reinstalled during the assembly process.

To Assemble:

- 1.) Identify and Separate all the Parts and Hardware.
- 2.) Pull up on mounting brackets of the 2 Foot assemblies (P-4), rotate brackets 90 degrees until they lock in position as shown in illustration # 1A & 1B.



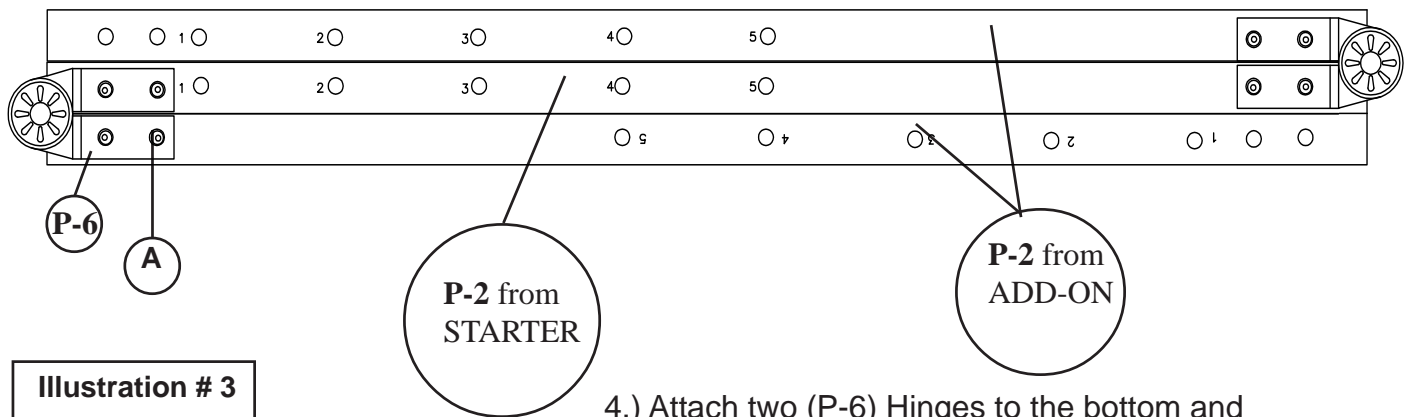
- 3.) Press 2 Locking Casters (B) onto the bottom of the Foot Assembly (P-4) as shown in illustration # 2.

**Missing Parts or UPS Damaged Parts**  
For Your Convenience you can  
EMAIL us at  
**[support@moorecoinc.com](mailto:support@moorecoinc.com)**  
24HOURS 7 DAYS A WEEK

## GREAT DIVIDE STARTER UNIT + 1 GREAT DIVIDE ADD-ON UNIT

### For 3 Middle Panels (P-2)

Follow these assembly instructions when 1 Add-On Panel unit will be connected to an existing Great Divide Starter Panel unit.



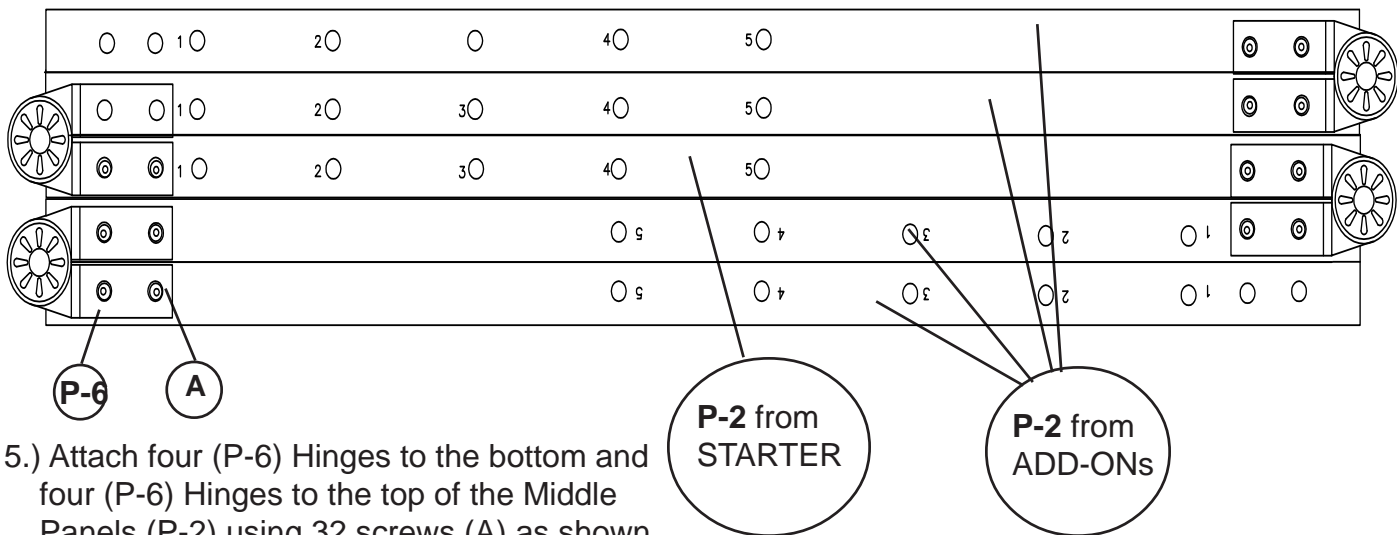
- 4.) Attach two (P-6) Hinges to the bottom and two (P-6) Hinges to the top of the Middle Panels (P-2) using 16 screws (A) as shown in Illustration #3.

**NOTE:** At this point, go back to the Great Divide Starter Unit instructions and substitute this assembly for the single P-2 Middle Panel in Step 5.

## GREAT DIVIDE STARTER UNIT + 2 GREAT DIVIDE ADD-ON UNITS

### For 5 Middle Panels (P-2)

Follow these assembly instructions when 2 Add-On Panel units will be connected to an existing Great Divide Starter Panel unit.



- 5.) Attach four (P-6) Hinges to the bottom and four (P-6) Hinges to the top of the Middle Panels (P-2) using 32 screws (A) as shown in Illustration #4.

**NOTE:** At this point, go back to the Great Divide Starter Unit instructions and substitute this assembly for the single P-2 Middle Panel in Step 5.

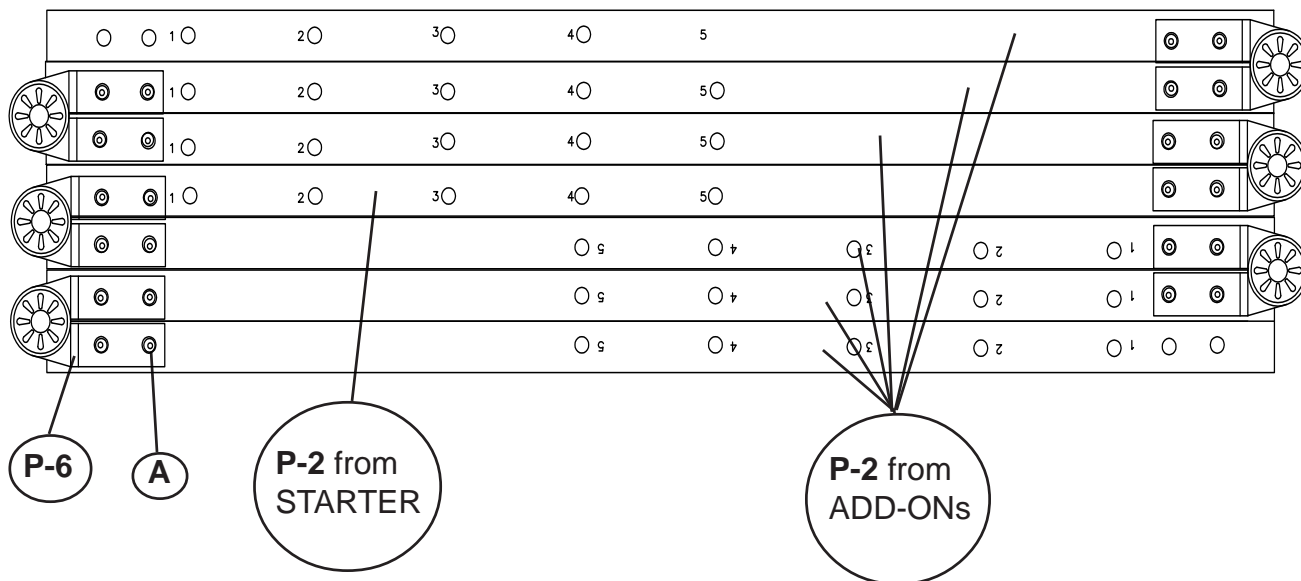
Illustration # 4

# GREAT DIVIDE STARTER UNIT + 3 GREAT DIVIDE ADD-ON UNITS

## For 7 Middle Panels (P-2)

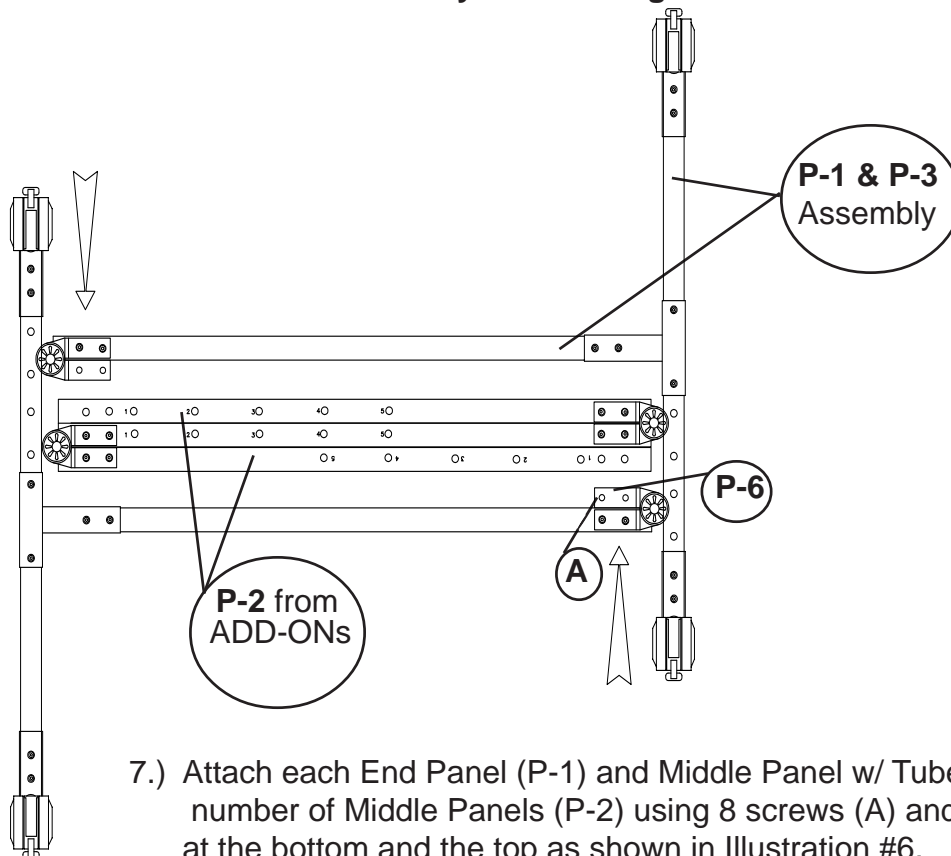
Follow these assembly instructions when 3 Add-On Panel units will be connected to an existing Great Divide Starter Panel unit.

**Illustration #5**



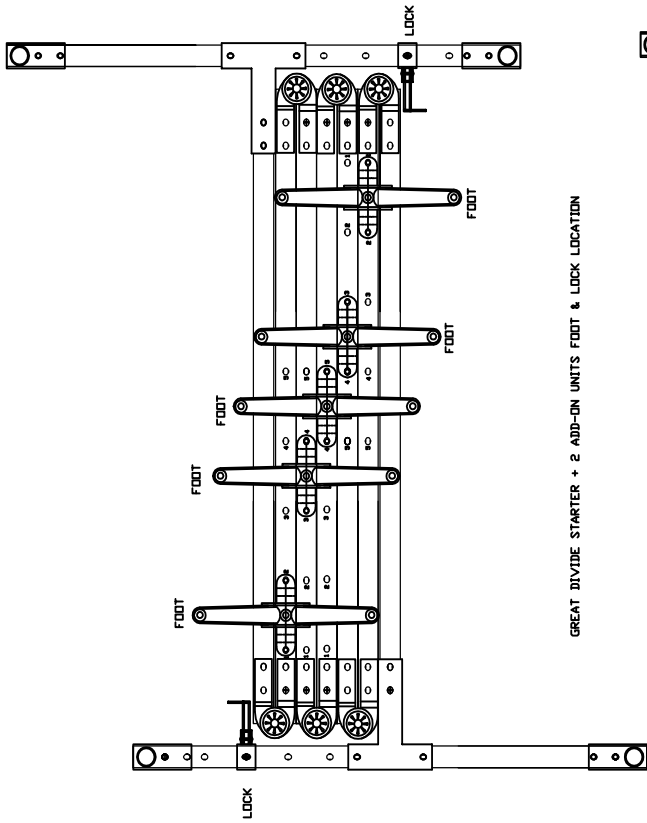
6.) Attach six (P-6) Hinges to the bottom and six (P-6) Hinges to the top of the Middle Panels (P-2) using 48 screws (A) as shown in Illustration #5.

**NOTE: At this point, go back to the Great Divide Starter Unit instructions and substitute this assembly for the single P-2 Middle Panel in Step 5.**

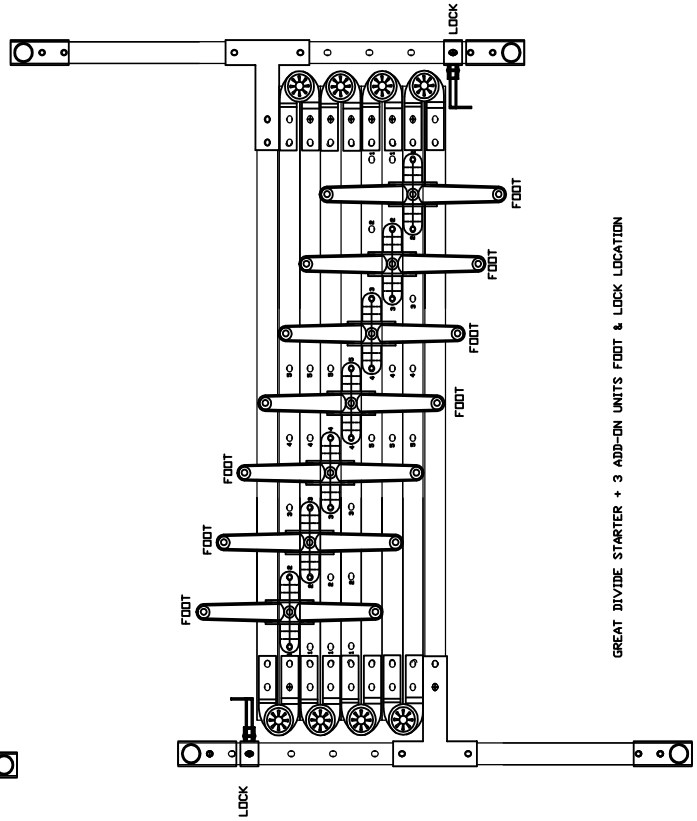


7.) Attach each End Panel (P-1) and Middle Panel w/ Tube (P-3) assembly to your number of Middle Panels (P-2) using 8 screws (A) and going through Hinge (P-6) at the bottom and the top as shown in Illustration #6.

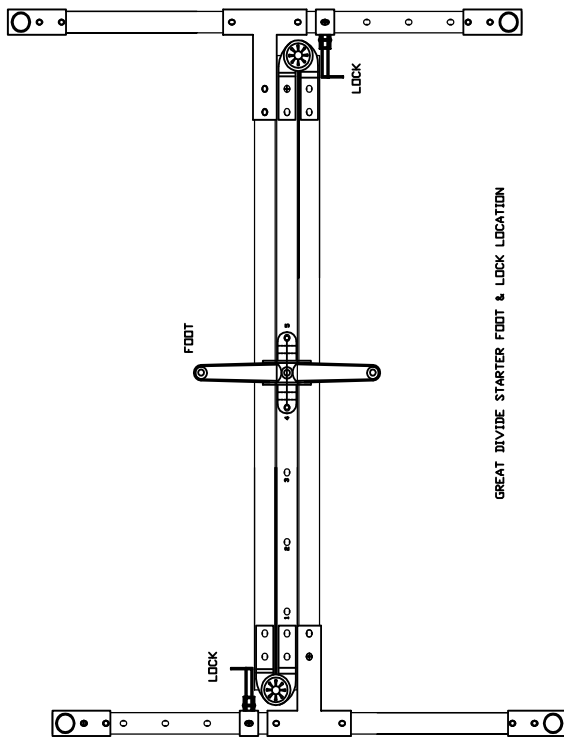
**Illustration #6**



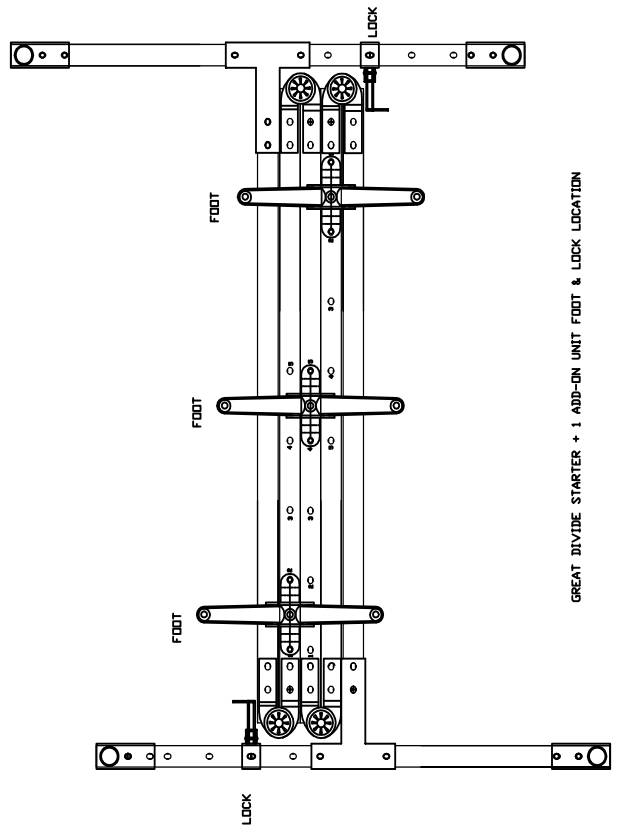
GREAT DIVIDE STARTER + 2 ADD-ON UNITS FOOT & LOCK LOCATION



GREAT DIVIDE STARTER + 3 ADD-ON UNITS FOOT & LOCK LOCATION



GREAT DIVIDE STARTER FOOT & LOCK LOCATION



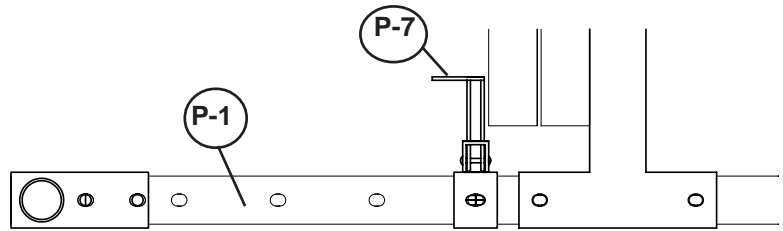
GREAT DIVIDE STARTER + 1 ADD-ON UNIT FOOT & LOCK LOCATION

Illustration # 7

# GREAT DIVIDE

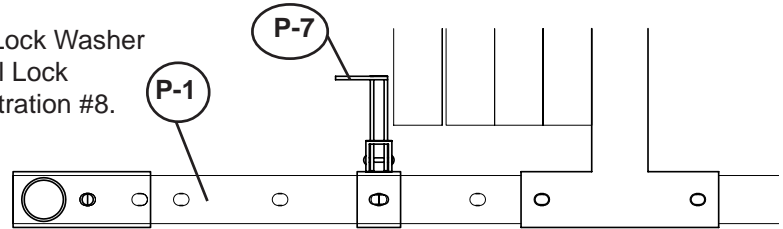
## PANEL, PANEL HINGE and FOOT ASSEMBLY LOCATION CHART

**PANEL LOCK LOCATION CHART  
(BOTTOM VIEW)**

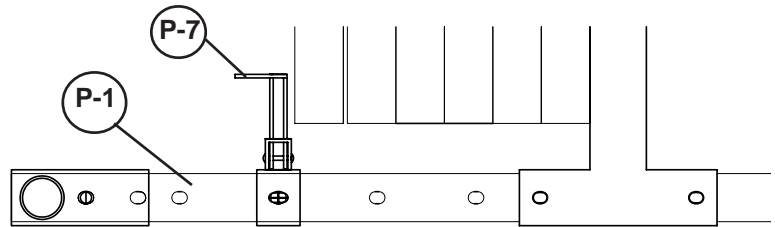


Panel Lock location for  
**GREAT DIVIDE STARTER UNIT**

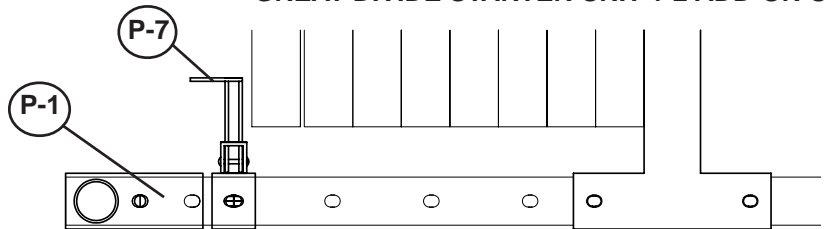
9.) Attach a Panel Lock(P-7) to the bottom of each End Panel(P-1) using one Screw, one Lock Washer and one Flat Washer, that come in the Panel Lock package, in the hole locations shown in Illustration #8.



Panel Lock location for  
**GREAT DIVIDE STARTER UNIT + 1 ADD-ON UNIT**



Panel Lock location for  
**GREAT DIVIDE STARTER UNIT + 2 ADD-ON UNITS**



Panel Lock location for  
**GREAT DIVIDE STARTER UNIT + 3 ADD-ON UNITS**

**Illustration #8**