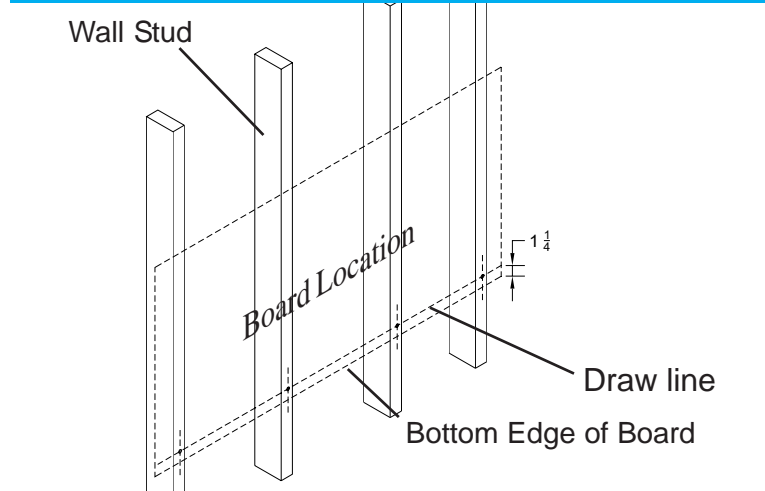


1 Locate and Drill holes for bottom Angle Brackets.

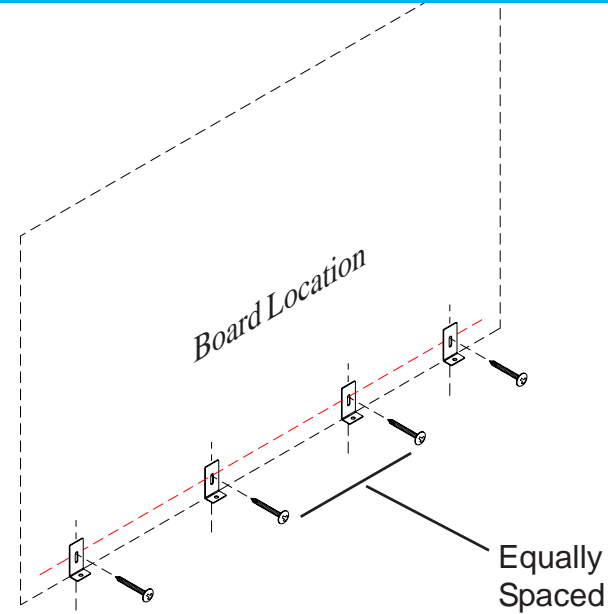
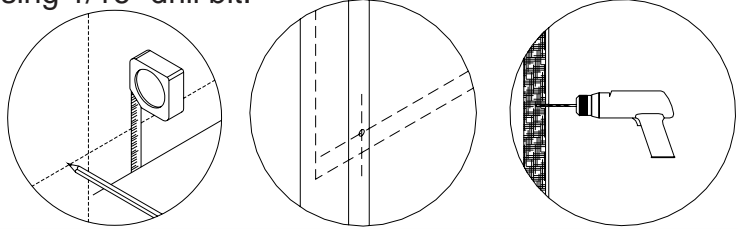
2 Attach bottom Angle Brackets.

3 Hang board and mark top.

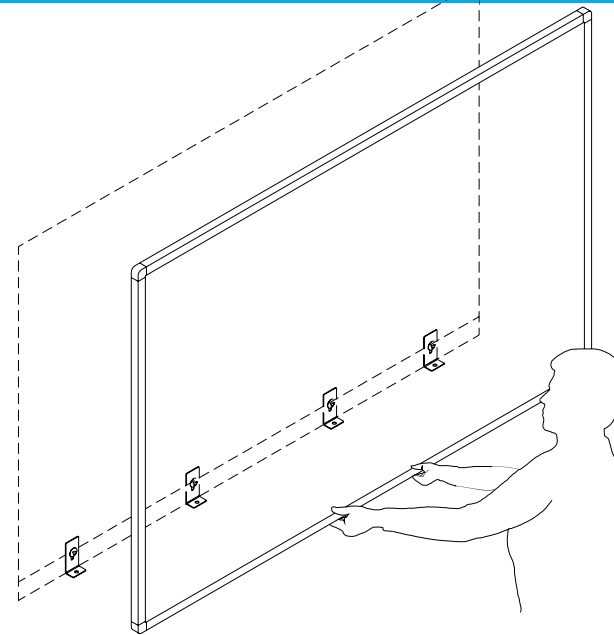
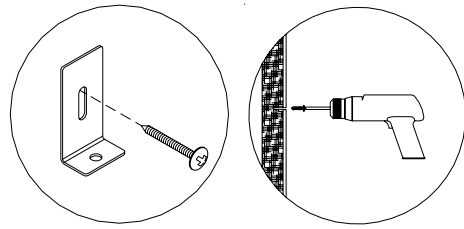
4 Remove board and drill



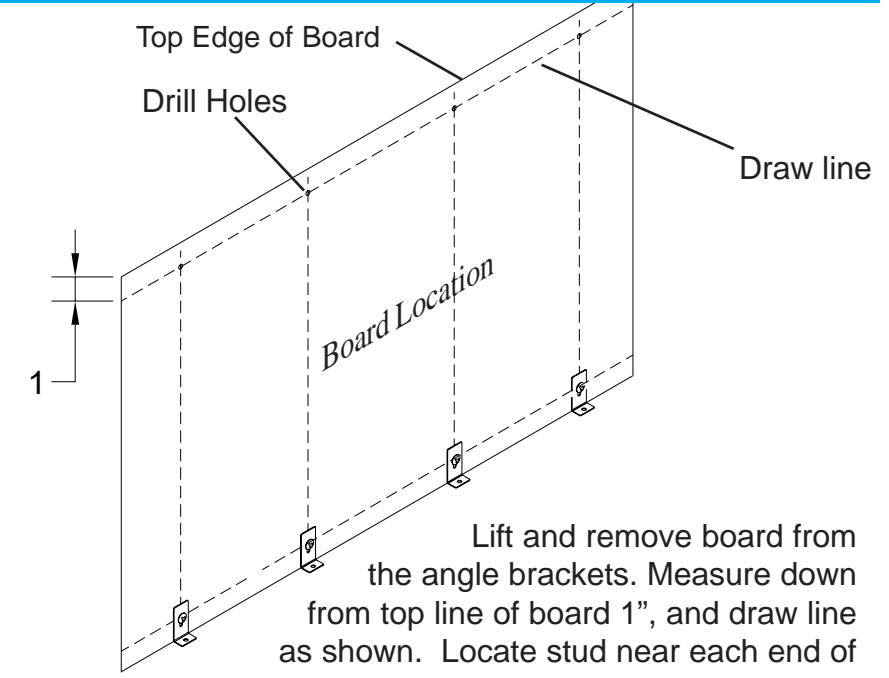
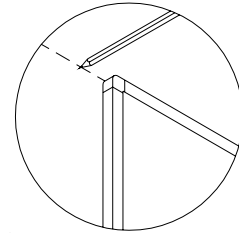
Determine board location. Measure from floor to the bottom edge of board. Mark with pencil line the corner location. Measure up from bottom edge of board 1-1/4", and draw line as shown. Locate stud near each end of board and drill pilot holes along line using 1/16" drill bit.



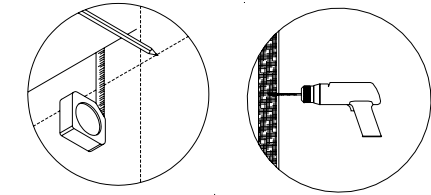
Attach 1/2 the # of Angle Brackets using Long Screws (B) as shown.



Set board on the Angle Brackets. Draw line along top edge of board.

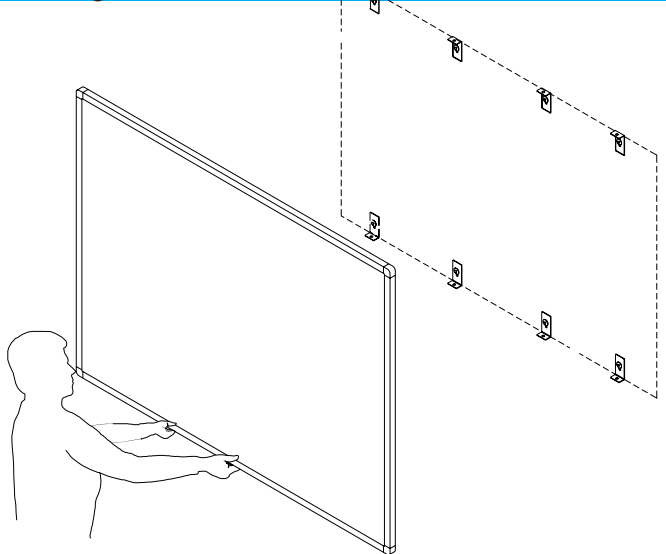


Lift and remove board from the angle brackets. Measure down from top line of board 1", and draw line as shown. Locate stud near each end of board and drill pilot hole along line using 1/16" drill bit.

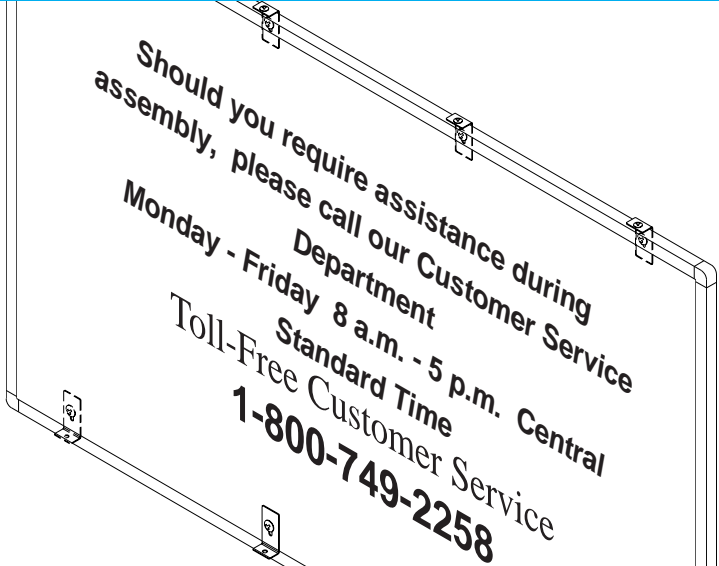
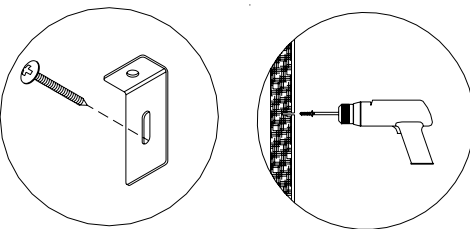


5 Attach top Angle Brackets and Hang board

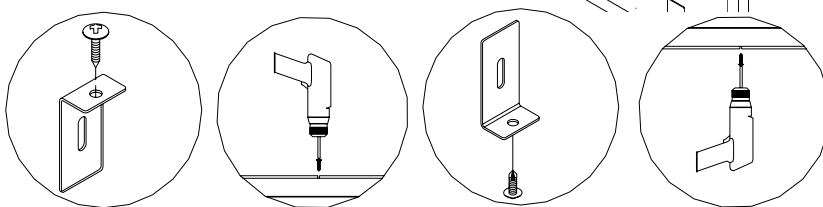
6 Secure Board



Secure top Angle Brackets (A) to the wall using long screws (B) as shown. Set board on the bottom angle brackets.



Secure board to bottom and top brackets (A) using short screws (C) as shown.



Parts List		
P1	Board	1 EA

Hardware List		
A	Angle Bracket	8 EA
B	Long Screw	8 EA
C	Short Screw	8 EA
D	Screw Anchor - Concrete	8 EA
E	Screw Anchor - Drywall	8 EA



321A Series
Aluminum
Rubber-Tak Boards

