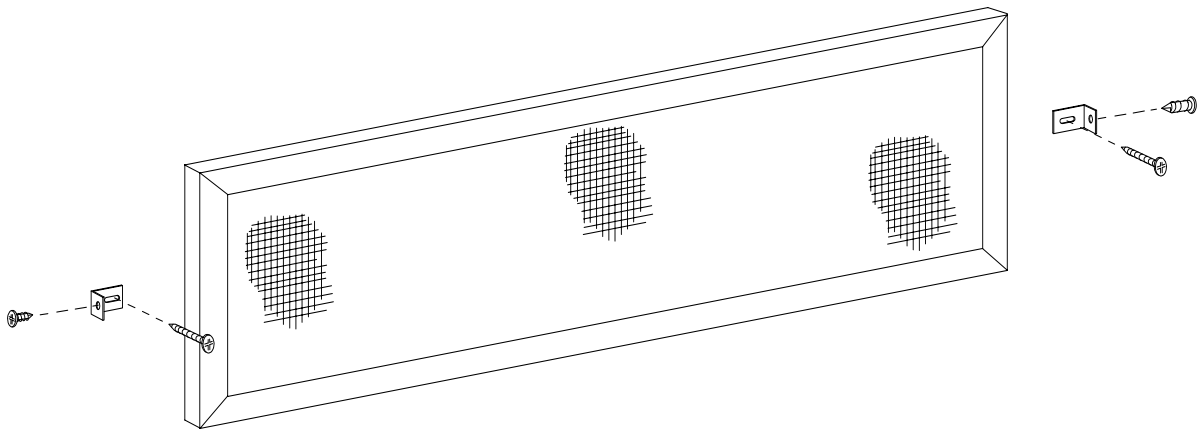




Best-Rite™

506 & 507

Display Panel Installation



- Step 1.) Establish mounting location on your wall.
- Step 2.) Fasten "L" clips with long screws (and plastic anchors for your type wall) to the wall so that the Display Panel fits between them as shown in the above illustration.
- Step 3.) Place the Display Panel between the "L" clips and center up and down. Use the small self-drilling screws to go through the "L" clip's hole and into the panel's side frame.

Missing Parts or UPS Damaged Parts

For Your Convenience you can
EMAIL us at

support@moorecoinc.com

24HOURS 7 DAYS A WEEK

***Should you require assistance during assembly,
please call our Customer Service Department***

Monday - Friday 8 a.m. - 5 p.m.

Central Standard Time 1-800-749-2258