

**BEST-RITE**®

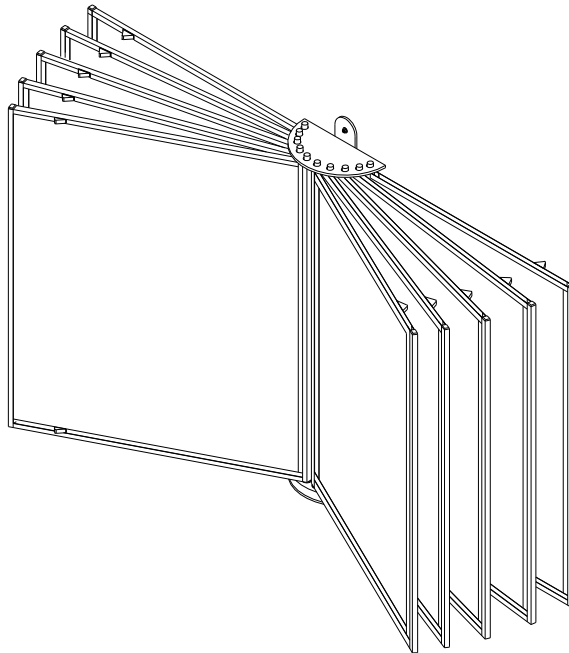
Since 1950

*“It’s A Better Board”*

[www.bestrite.com](http://www.bestrite.com)


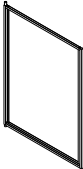
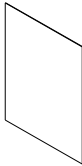


**Full View Swing Panels**

**696 / 697**




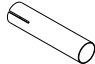
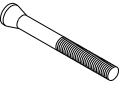
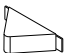


**Assembly Instructions**

# Full View Swing Panels (696/697)

Part	Drawing	Description	Qty
P-1		Upright	1 EA
P-2		Panel Frame	10 EA
P-3		White Cardboard	20 EA
P-4		Acrylic Panel	20 EA
P-5		U-Channel	10 EA

**Hardware List**

A		Nut	5 EA
B		Flat Washer	5 EA
C		Lock Washer	5 EA
D		Anchor Sleeve	5 EA
E		Anchor Bolt	5 EA
G		Plastic Spacer	20 EA

*Should you require assistance during assembly, please call our Customer Service Department Monday - Friday 8 a.m. - 5 p.m. Central Standard Time Toll-Free Customer Service*  
**1-800-749-2258**

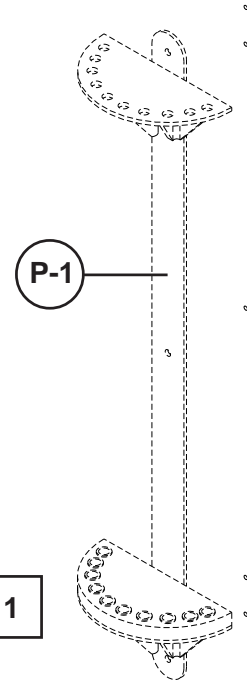
# Full View Swing Panels Assembly Diagram

**READ THROUGH INSTRUCTIONS FROM BEGINNING TO END BEFORE STARTING TO ASSEMBLE UNIT.**

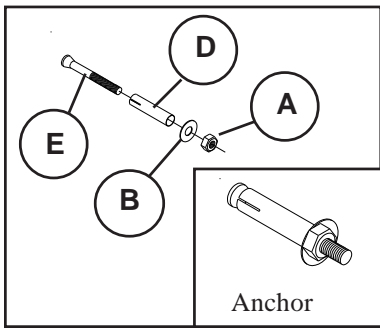
1. To Assemble:

Identify and Separate all the Parts and Hardware.

2. Find the desired location and mark the 5 screw holes with pencil on the wall by using the Upright (P-1) as a pattern. Drill the holes and make sure drilled holes are in stud or solid part of the wall. Please make sure you use proper anchor bolts if ours are not suitable for your type of wall. See illustration #1

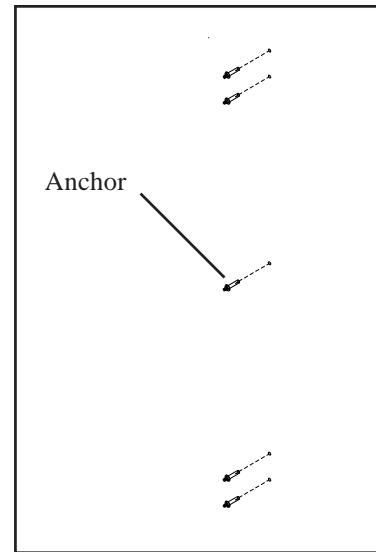


**Illustration # 1**



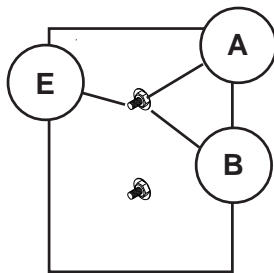
**Illustration # 2**

3. Assemble Anchor Bolts if suitable for your wall, by inserting Anchor Bolt (E) into the Anchor Sleeve (D) from the slotted end. Insert the Flat Washer (B) over the Bolt, fasten the Nut (A), and tighten by hand as shown in illustration #2.



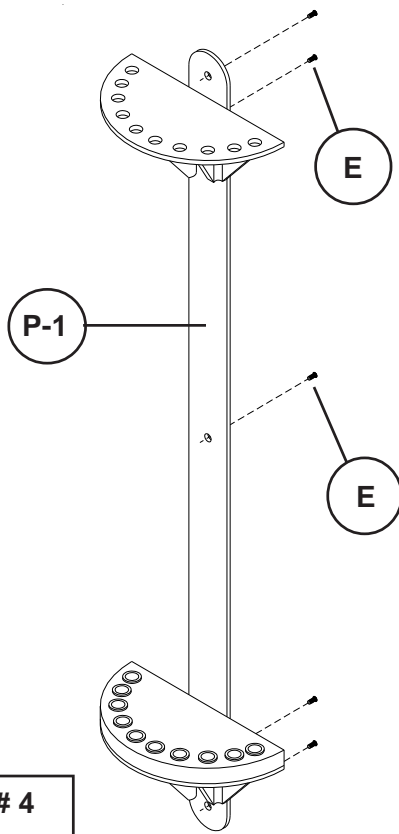
**Illustration # 3**

4. Insert the assembled Anchor bolts inside the holes until Washers are flush with the surface of the wall. Tighten the nuts with Socket Wrench to spread the Anchor Sleeve (E) from the slot in the wall. See Illustration #3 and #3a.



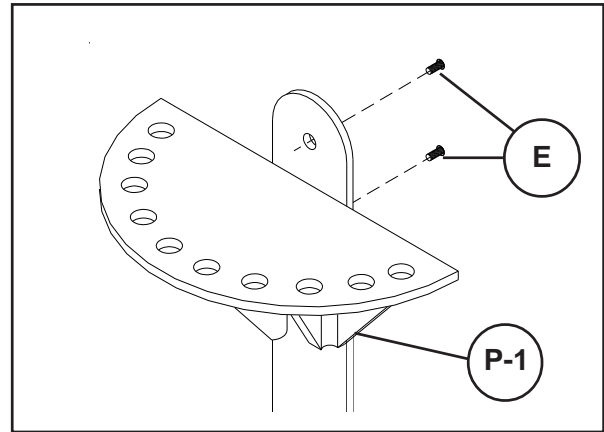
**Illustration # 3a**

**Missing Parts or UPS Damaged Parts**  
For your convenience you can  
E-MAIL us at  
***boards@bestrite.com***  
24 HOURS 7 DAYS A WEEK



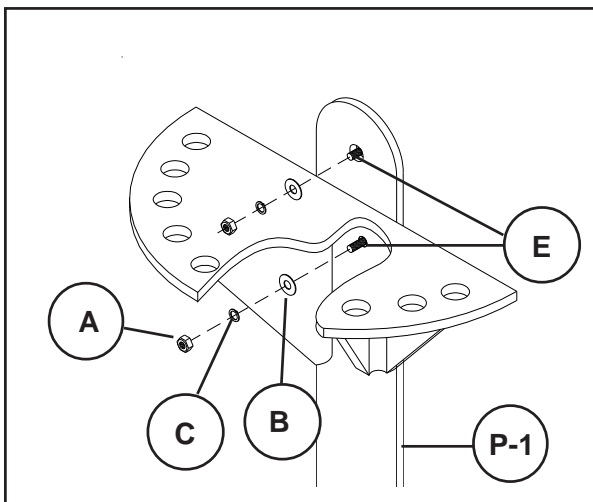
**Illustration # 4**

- Place the Upright (P-1) over the Anchor Bolts (E) coming out of the wall as shown in illustration #4 and #4a

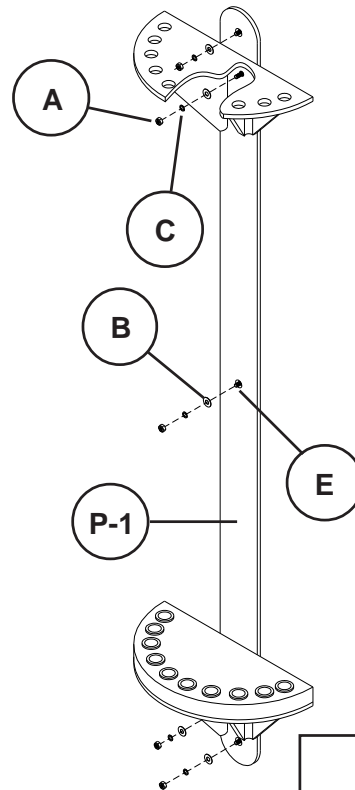


**Illustration # 4a**

- Place the Flat Washer (B) and Lock Washer (C) over the Anchor Bolt (E) and fasten the Nuts (A). Tighten all 5 nuts by using Socket Wrench or Adjustable Wrench. See illustration #5 and #5a.



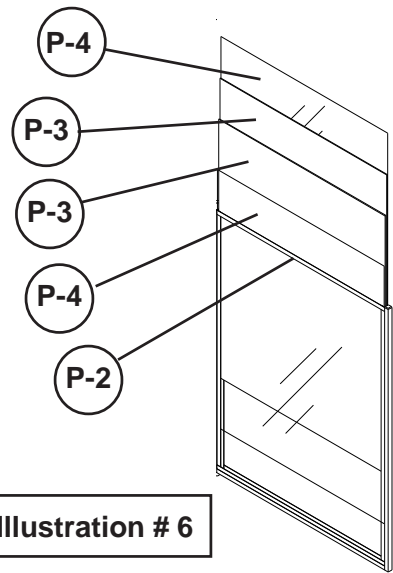
**Illustration # 5a**



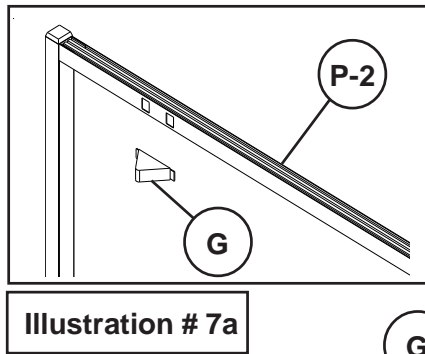
**Illustration # 5**

Do not use unless all screws are tight. At least every six months, check all screws to be sure they are tight. If parts are missing, broken, damaged, or worn, stop use of the product until repairs are made by your dealer using factory authorized parts.

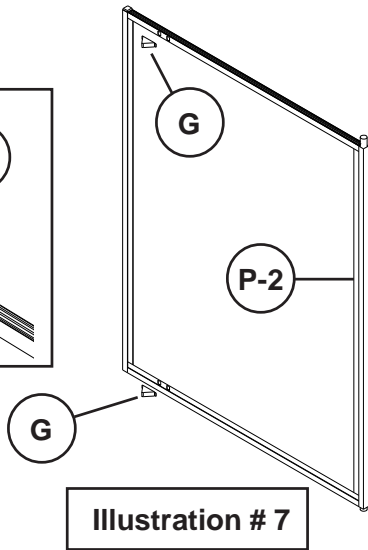
- Remove the poly cover from both sides of Acrylic Panels (P-4). Slide the White Cardboard (P-3) or Hook & Loop board in between Acrylic Panels (P-4). Insert the panels in to the Panel Frame (P-2), as shown in illustration #6.



**Illustration # 6**



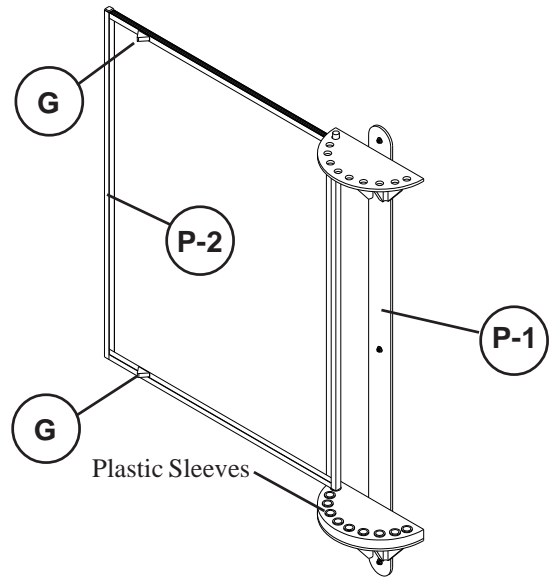
**Illustration # 7a**



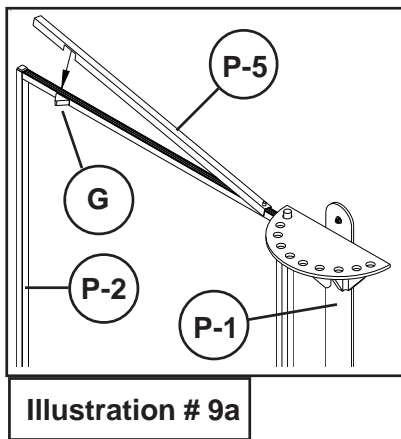
**Illustration # 7**

- Insert one tab of Panel Spacer (G) in per punched slot and, using your thumb compress the Spacer (G) until second tab will insert into second slot. See illustration #7 and #7a. There are 2-Spacers (G) per each Panel Frame (P-2).

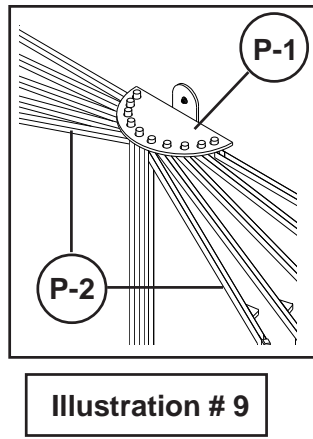
- Place the long stub coming out of the Panel Frame (P-2) into the first hole underneath the top thin Bracket of the Upright (P-1) with 10 holes. Push up as far as it goes into the first hole. Set the smaller Stub on the bottom of the Upright (P-1) bracket with 10 holes and 10 black plastic sleeves on each hole, as shown in illustration #8. Repeat the same step to place all your Panel Frames (P-2).



**Illustration # 8**



**Illustration # 9a**



**Illustration # 9**

- Slide the U-Channel (P-5) on top of each Panel Frame (P-2). This step will secure all panels from falling off. See illustration #9 and #9a. To access the panels you must remove the U-Channel (P-5).