

BEST-RITE®

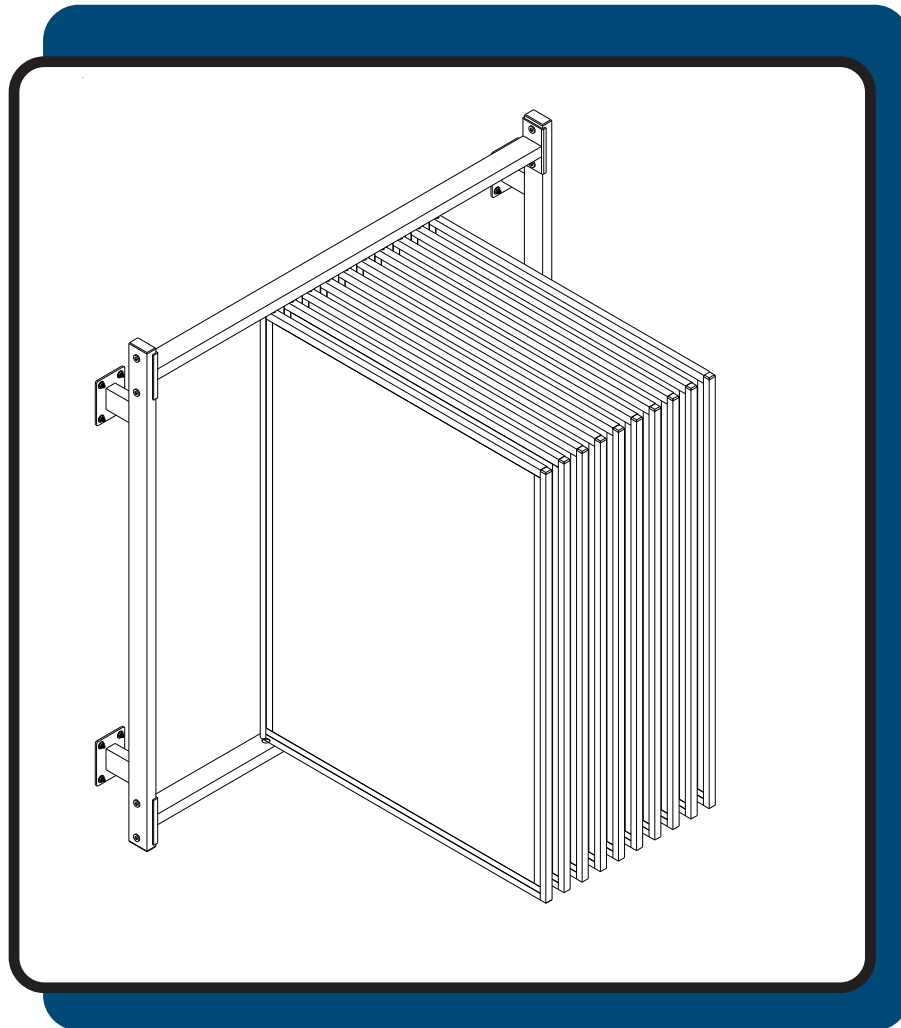
Since 1950

“It’s A Better Board”

www.bestrite.com




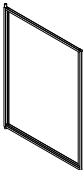
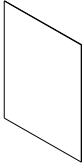
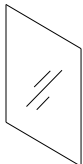
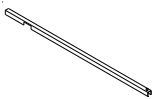
Straight Wall Swing Panels






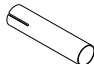



698



Assembly Instructions

Straight Wall Swing Panels (698)

Part	Drawing	Description	Qty
P-1		Upright	2 EA
P-2		Top Cross Bar w/ deep holes	1 EA
P-3		Bottom Cross Bar w/ angle support	1 EA
P-4		Panel Frame	10/20 EA
P-5		White Poster Panel	20/40 EA
P-6		Acrylic Panel	20/40 EA
P-7		U-Channel	10/20 EA

Hardware List			
A		Socket Screw	8 EA
B		Interior Threaded Post	8 EA
C		Nut	16 EA
D		Flat Washer	16 EA
E		Lock Washer	16 EA
F		Anchor Sleeve	16 EA
G		Anchor Bolt	16 EA
H		Allen Wrench	1 EA
I		Plastic Spacer	20 EA

Tool required: Adjustable Cresnet Wrench or Socket Wrench

Should you require assistance during assembly, please call our Customer Service Department Monday - Friday 8 a.m. - 5 p.m. Central Standard Time Toll-Free Customer Service

1-800-749-2258

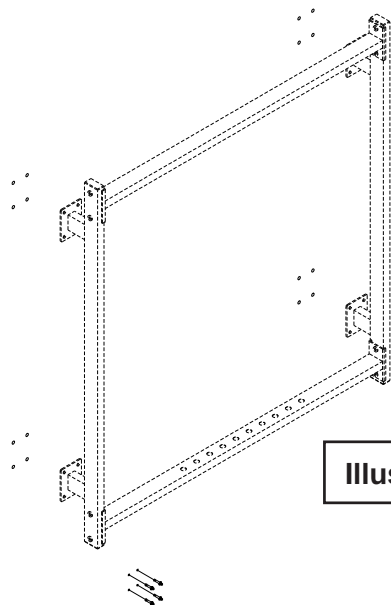
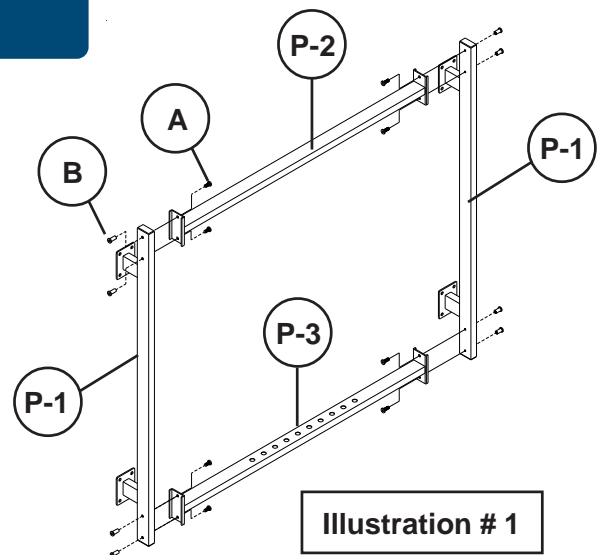
Wall Mount Swing Panels Assembly Diagram

READ THROUGH INSTRUCTIONS FROM BEGINNING TO END BEFORE STARTING TO ASSEMBLE UNIT.

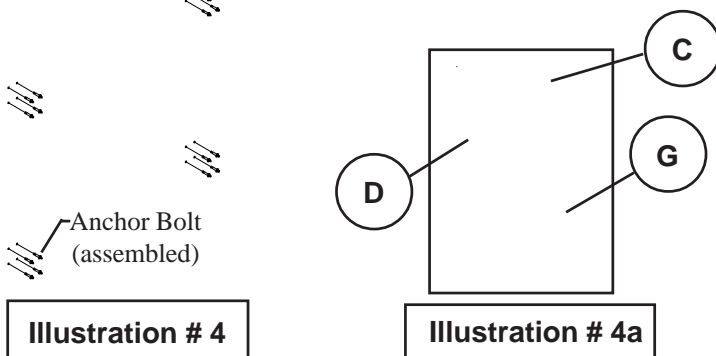
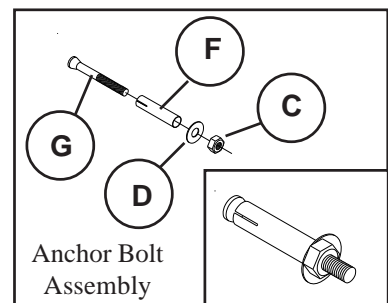
1. To Assemble:

Identify and Separate all the Parts and Hardware.

2. Assemble Top Cross Bar with deep holes (P-2) on top of Uprights (P-1) with holes facing down. Bottom Cross Bar with angle support (P-3) should go on the bottom of the Uprights (P-1) with holes facing up. Use Socket Screws (A) and Interior Threaded Post (B), and tighten with Allen Wrench (H). See illustration #1.



3. Find the desire location and mark the 16 screw holes with pencil on the wall by using the assembled main frame as a pattern. Drill the holes and make sure you drilled holes in stud or solid part of the wall. Please make sure you use proper anchor bolts if ours are not suitable for your type of wall. See illustration #2



4. Assemble Anchor Bolts, if you chose to use and are suitable for your wall, by inserting Anchor Bolt (G) into the Anchor Sleeve (F) from the slotted end. Insert the Flat Washer (D) over the Bolt and fasten the Nut (C). Tighten by hand as shown in illustration #3.

5. Insert the assembled Anchor bolts inside the holes until Washers are flush with the surface of the wall. Tighten the nuts with Socket Wrench to spread the Anchor Sleeve (F) from the slot in the wall. See Illustration #4 and #4a.

Missing Parts or UPS Damaged Parts
For your convenience you can
EMAIL us at
boards@bestrite.com
24 HOURS 7 DAYS A WEEK

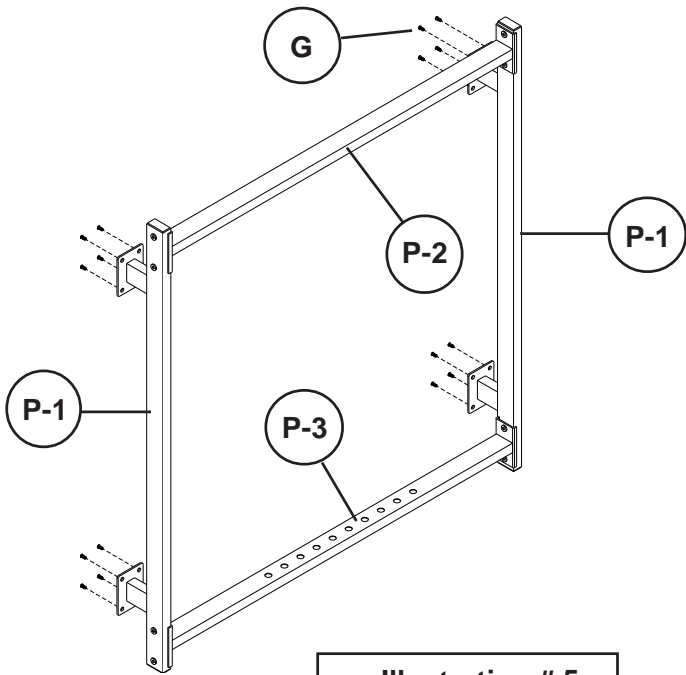


Illustration # 5

6. Remove Nuts (C) and Flat Washers (D) off of the Anchor Bolts (G) from the wall. Place the assembled Wall Mount Frame over the Anchor Bolts (G) coming out of the wall as shown in illustration #5 and #5a

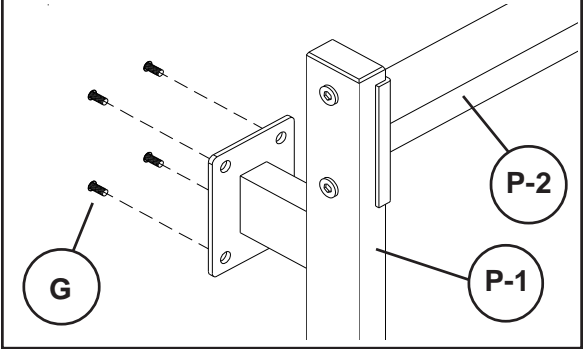


Illustration # 5a

7. Place the Flat Washer (D) and Lock Washer (E) over the Anchor Bolt (G) and fasten the Nuts (C). Tighten all 16 nuts by using Socket Wrench or Adjustable Wrench. See illustration #6 and #6a.

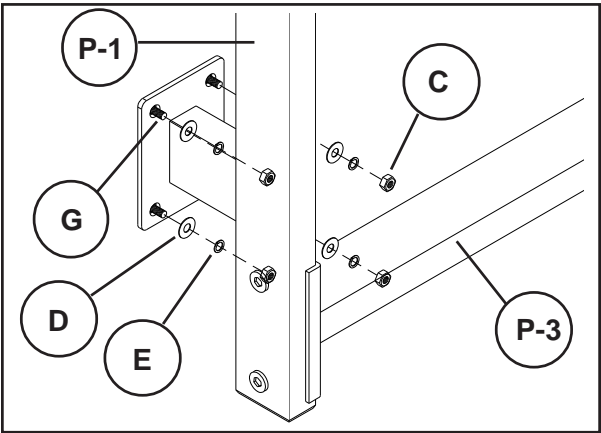


Illustration # 6a

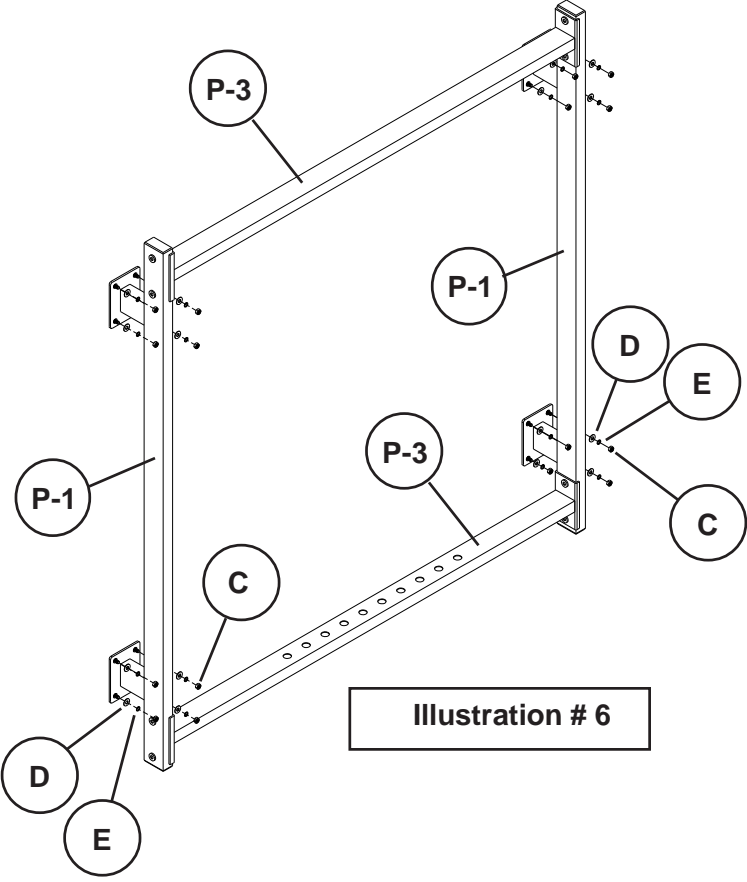


Illustration # 6

Do not use unless all screws are tight. At least every six months, check all screws to be sure they are tight. If parts are missing, broken, damaged, or worn, stop use of the product until repairs are made by your dealer using factory authorized parts.

- Remove the poly cover from both sides of the Acrylic Panels (P-6). Slide the White Poster Panle (P-5) or Hook & Loop board (optional) in between the Acrylic Panels (P-6), and insert into the Panel Frame (P-4). See illustration #7.

If you have 698U model you would not have the Acrylic Panels (P-6).

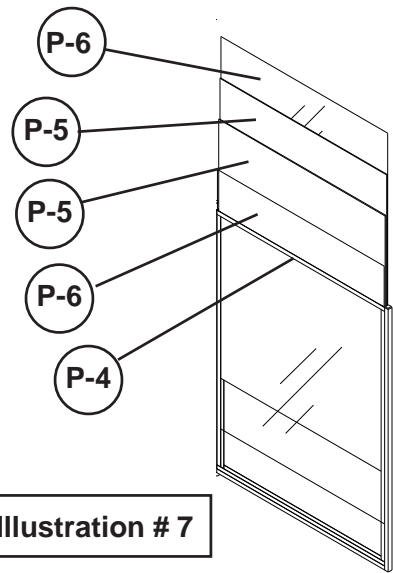


Illustration # 7

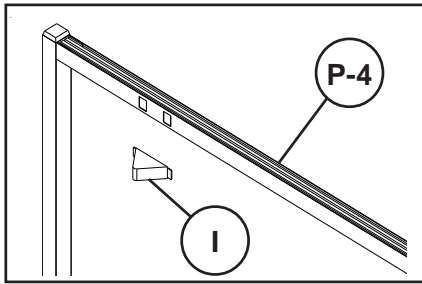


Illustration # 8a

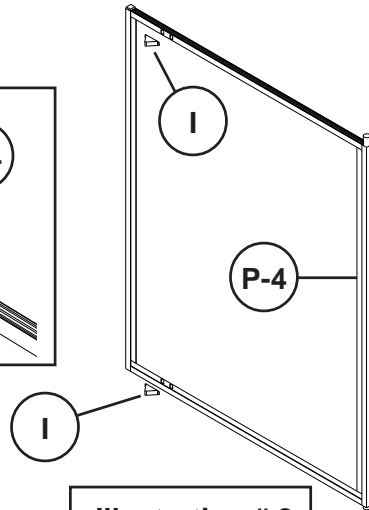


Illustration # 8

- Insert one tab of Panel Spacer (I) in punched slot, and using your thumb, compress the Panel Spacer (I) until the second tab inserts into the second slot. See illustration #8 and #8a. There are 2-Spacers (I) per each Panel Frame (P-4).

- Place the long stub coming out of the Panel Frame into first hole underneath the Top Cross bar (P-2). Push up as far as it goes into the hole and set the smaller Stub on the bottom of the Panel frame (P-4). Line up with the first hole on Bottom Cross bar (P-3) as shown in illustration #9. Repeat the same step to place all your Panel Frames (P-4).

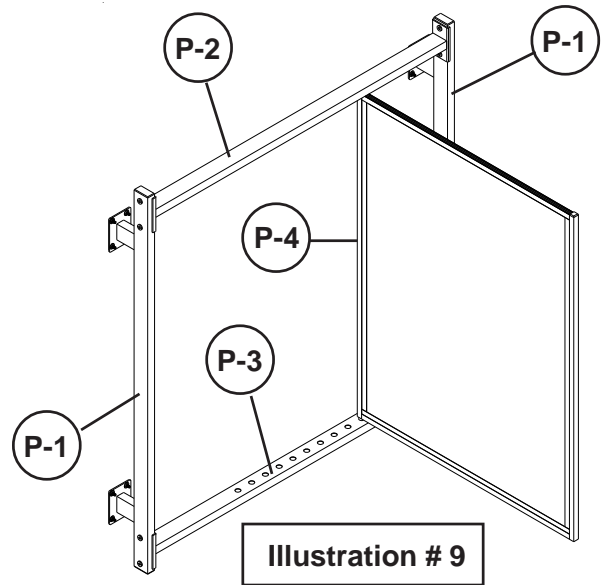


Illustration # 9

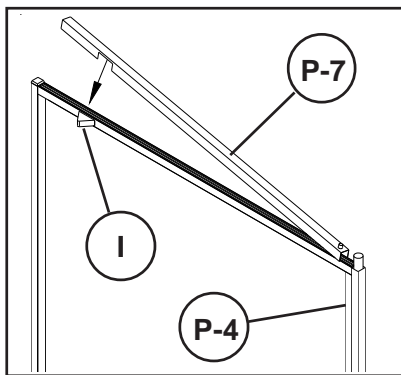


Illustration # 10a

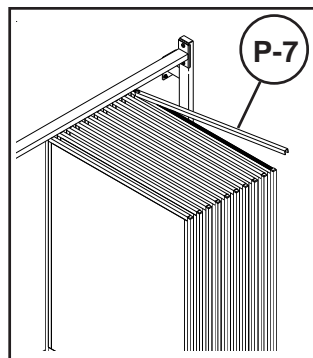


Illustration # 10

- Slide the U-Channel (P-7) on top of each Panel Frame (P-4). This step will secure all panels from falling off. See illustration #10 and #10a. To access the panels you must remove the U-Channel (P-7).