

***Dahle Model 550
Professional Rolling
Trimmer - 14 1/8 Inch***

Product Spec Sheet



Provided by

MyBinding.com

When Image Matters.

Call Us at 1-800-944-4573



Dahle 550

Professional Rotary Trimmer

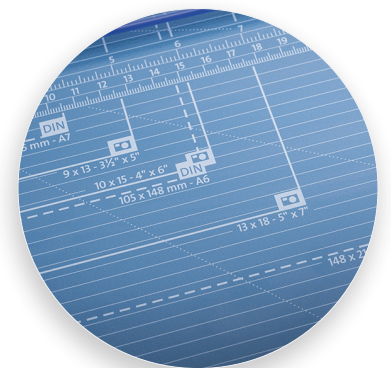
The Dahle 550 Professional Rotary Trimmer with a 14" cut length is designed for precision and accuracy. It features a ground self-sharpening blade that cuts in both directions, a dual-barrel guide bar for strength, and an automatic clamp to prevent shifting. This German engineered cutter is ultra-precise and ideal for trimming paper, photos, and cardstock.

Features | Benefits

- Self-sharpening blade cuts in both directions
- Dual-barrel aluminum guide bar provides strength and accuracy
- Automatic clamp holds work securely and prevents shifting
- Ground steel blade is encased in a protective housing for safety
- Sturdy metal base with non-slip rubber feet
- Screened inch, metric and angled guides for easy alignment
- Space-saving upright storage with kick-stand endcaps
- Adjustable magnetic alignment guide for sizing cuts
- German engineered for precision and accuracy



Self-sharpening system maintains a perfectly honed blade.



Easily align work with screened inch, metric, and angled guide lines.



Cut Length



Sheet Capacity



Self Sharpening



Automatic Paper Clamp



Alignment Guide



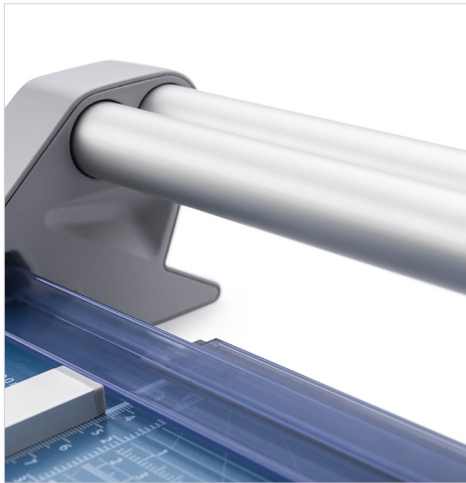
Metal Base



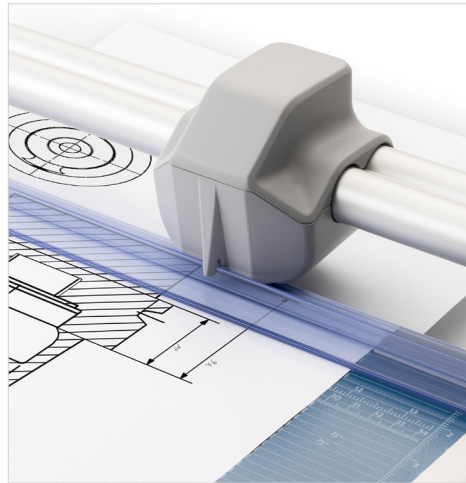
German Engineered



With a sturdy design and a 14" cutting length, this trimmer is great for precision trimming of paper, photos, and cardstock.



The dual-barrel aluminum guide bar provides stability for cutting thicker materials.



Automatic clamp holds work securely and prevents your work from shifting.



Built-in kickstands allow for space-saving, upright storage.

Dahle 550 Professional Rotary Trimmer

Cutting Length	Sheet Capacity	Dimensions (length x width x height)	Warranty
14"	20 Sheets	22.88" x 15.13" x 3.38"	Lifetime



(800) 995-1379
www.Dahle.com