

Fellowes Atom Paper Trimmer

Instruction Manual



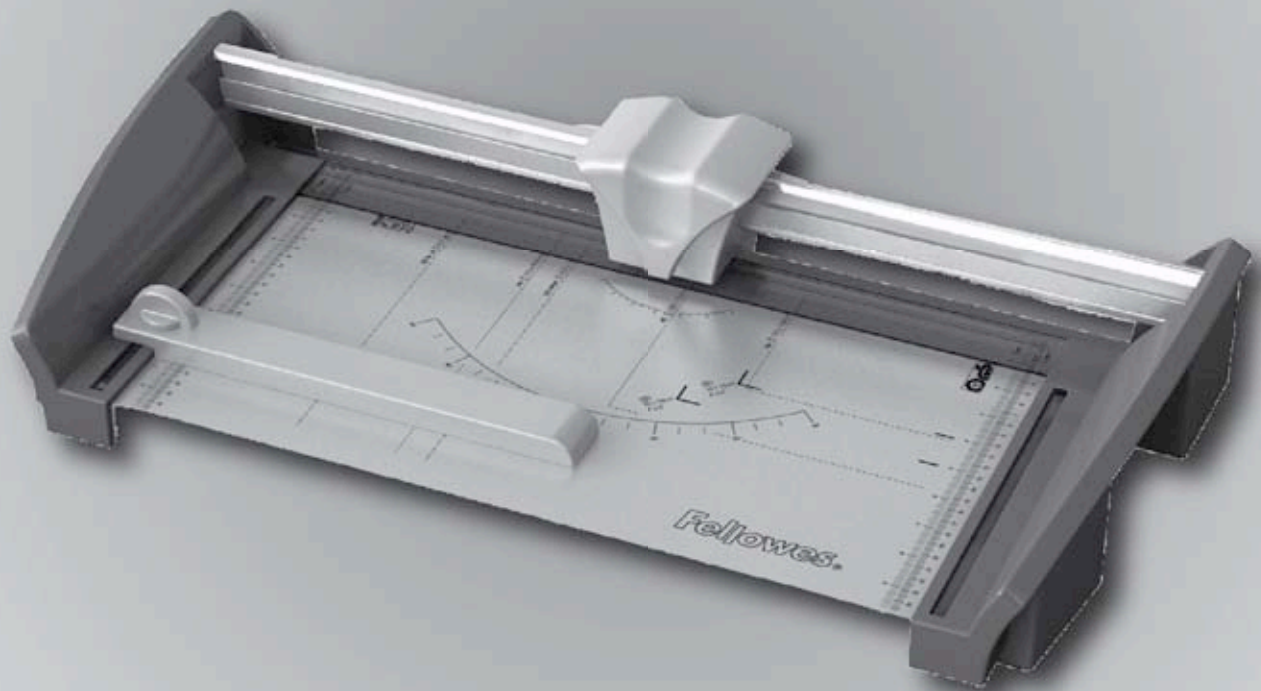
Provided By

MyBinding.com®
When Image Matters.

Fellowes.

SafeCut™ Paper Trimmer

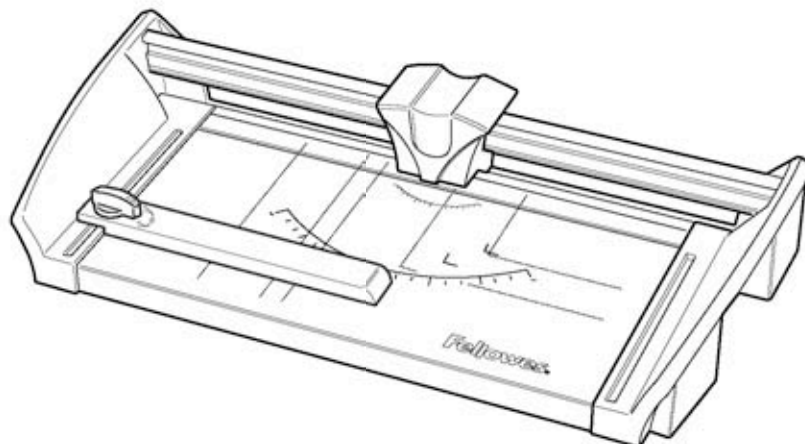
Atom



Please read these instructions before use.

Veuillez lire ces instructions avant utilisation.

Lea estas instrucciones antes del uso.



CAPACITIES

CRC #	Model	Cutting Length (mm)	Cutting Length (inch)	Cutting capacity (sheets 20 lb)	Number of blades
54106	Atom 150	380	15	30	1
54107	Atom 180	460	18	30	1

IMPORTANT SAFETY INSTRUCTIONS — Read Before Using!

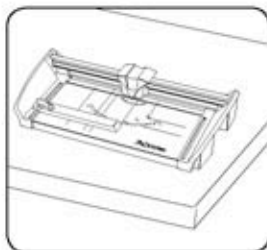
CAUTION

- Caution: blades are extremely sharp.
- Always supervise children during use.
- Do not overload trimmer.
- Do not touch cutting blade and cutting edge of trimmer.
- Keep pets away from trimmer while in use.
- Do not open or attempt to repair, as this will void your warranty. Contact Customer Service.

Need Help?

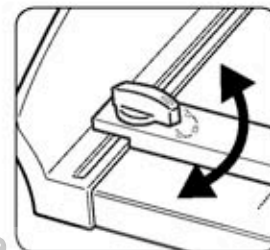
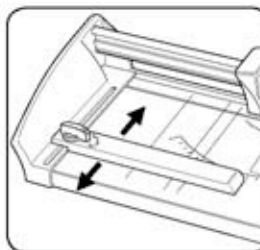
Customer Service....
www.followes.com
 Let our experts help you
 with a solution.
 Always call Followes
 before contacting
 your place of purchase.

BEFORE TRIMMING YOUR DOCUMENTS



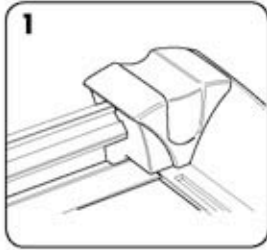
Place firmly on desktop

ADJUSTABLE BACK STOPS (For Repeat Cuts)

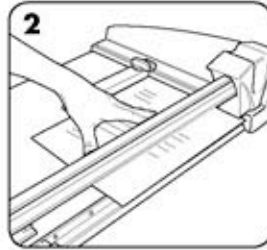


For adjustment as required, turn locking lever to (🔓). To lock, turn locking lever to (🔒). Rotate knob to lock and unlock the edge guide.

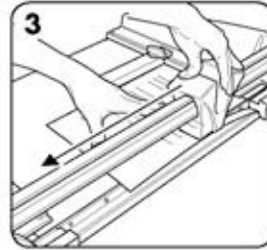
CUTTING PAPER AND PHOTOS



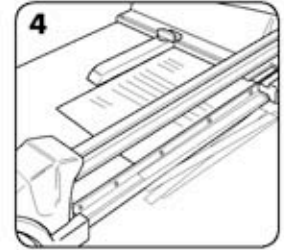
1. Pull cutting carriage to one end.



2. Place item (e.g. photo or paper) onto cutting table. Align paper with markings on the base of the trimmer.



3. Hold paper with hand and / or clamping mechanism to ensure it doesn't move while trimming. Make sure that hands are not under the blade.



4. Push or pull carriage handle along rail to trim item to end position to release clamping mechanism again.

LIMITED WARRANTY

Fellowes, Inc. ("Fellowes") warrants the cutting blades of the Atom rotary trimmer / Plasma guillotine to be free from defects in material and workmanship for 10 years from the date of purchase by the original consumer. Fellowes warrants all other parts of the machine to be free of defects in material and workmanship for 2 year from the date of purchase by the original consumer. If any part is found to be defective during the warranty period, your sole and exclusive remedy will be repair or replacement, at Fellowes' option and expense, of the defective part. This warranty does not apply in cases of abuse, mishandling, or unauthorized

repair. ANY IMPLIED WARRANTY, INCLUDING THAT OF MERCHANTABILITY OR FITNESS FOR A PARTICULAR PURPOSE, IS HEREBY LIMITED IN DURATION TO THE APPROPRIATE WARRANTY PERIOD SET FORTH ABOVE. In no event shall Fellowes be liable for any consequential or incidental damages attributable to this product. This warranty gives you specific legal rights. The duration, terms, and conditions of this warranty are valid worldwide, except where different limitations, restrictions, or conditions may be required by local law. For more details or to obtain service under this warranty, please contact us or your dealer.



Useful Phone Numbers

Help Line

Australia	+ 1-800-33-11-77
Canada	+ 1-800-665-4339
Europe	00-800-1810-1810

México	+ 1-800-234-1185
United States	+ 1-800-955-0959

Fellowes

Australia	+ 61-3-8336-9700
Benelux	+ 31-[0]-76-523-2090
Canada	+ 1-905-475-6320
Deutschland	+ 49-[0]-5131-49770
España	+ 34-91-748-05-01
France	+ 33-[0]-1-30-06-86-80
Italia	+ 39-071-730041

Japan	+ 81-[0]-3-5496-2401
Korea	+ 82-2-3462-2884
Malaysia	+ 60-[0]-35122-1231
Polska	+ 48-[0]-22-771-47-40
Singapore	+ 65-6221-3811
United Kingdom	+ 44-[0]-1302-836836
United States	+ 1-630-893-1600



1789 Norwood Avenue, Itasca, Illinois 60143-1095 • USA • 630-893-1600

fellowes.com

Australia
Benelux

Canada
China

Deutschland
España

France
Italia

Japan
Korea

Polska
Singapore

United Kingdom
United States

2008 Fellowes, Inc. Part No. 403358



MyBinding
When Image Matters.