

FujiPla 25" Easy-To-Use School Laminator

Instruction Manual



Provided by

MyBinding.com
When Image Matters.

Call Us at 1-800-944-4573



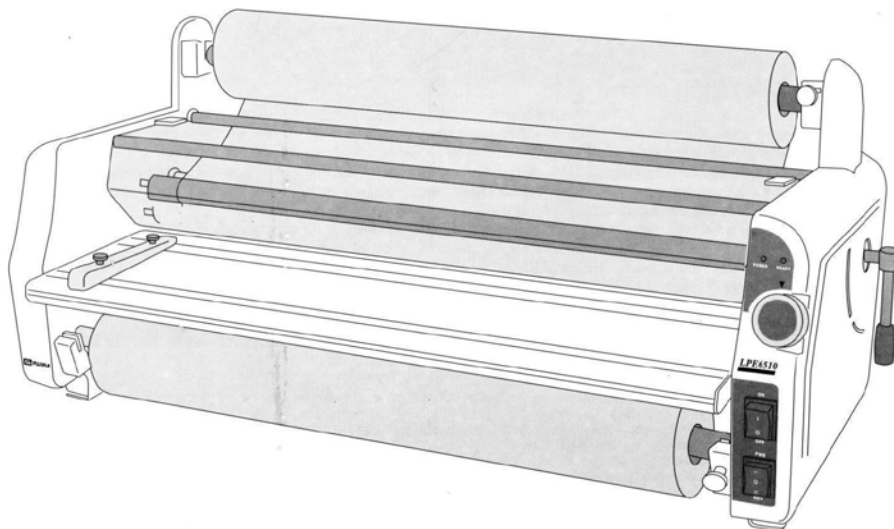
LAMIPACKER

Instruction Manual

Models:

LPE3510 (13")

LPE6510 (25")



For safe operation be sure to read through this instruction manual before operating your Laminator.



ID Card System, Laminating Machines & Film
FUJIPLA, Inc.
TOKYO, JAPAN



CONTENTS	PAGE
Warning before using your Lamipacker	3
Safety Precautions	4
Names and Functions	4
Film Setting	5
Warming Up	6
Operation	7
Finish of Lamination	9
Cleaning of Rollers	9
Laminating Film	9
Specifications	10
Warranty	11

Thank you for your purchase of the Fujipla LPE3510 or LPE6510 laminator. This laminating machine is designed to laminate most common paper stocks, inks and toners with transparent lamination film. Laminated objects are waterproof and durable as well as having a lustrous appearance. Please note that, once laminated, it is difficult to peel off the film from the laminated object without damage to it. Be sure to read this instruction manual thoroughly before operating your Lamipacker to avoid danger and the possibility of poor quality laminations.

Dry-Lam LLC is the exclusive distributor of Fujipla products in North America. Contact Dry-Lam's Tech-Line at 888-633-1973 x8575 for any service related issue.

WARNING BEFORE USING YOUR LAMIPACKER:



Do not dismantle

Do not open the casing of the Lamipacker or disassemble the machine unless directed by Dry-Lam's Tech-Line.



Warning tangling

If problems (e.g. jamming, etc.) occur, switch off and unplug immediately and then contact Dry-Lam's Tech-Line.

Be careful that your tie, necklace, hair, etc. do not get caught in the machine. In such a case, switch off immediately.



Electric shock

Do not spill water on the Lamipacker. Do not operate it with wet hands.

Do not set the Lamipacker on the power cord.



Warning Hot

Be sure to unplug before moving the Lamipacker.

The surface of Lamipacker and laminated objects may be hot.

Do not laminate prohibited materials (see next item "laminating objects" on page 4).

In the case of incorrect threading/setup, laminating prohibited materials or laminations performed incorrectly smoke may come out of the laminator.

The safety cover should always be placed correctly. Always ventilate the area well when operating. The laminator should be located close to the wall outlet and easily accessible.



Recycling Information:

Thank you for choosing this Fujipla product. It is an electronic device containing components which require proper disposal at the end of their effective life. You can help control emerging risks by disposing the electronic device and your domestic waste separately. Electric and electronic devices are marked with a crossed out waste bin indicating that these products should not be dumped together with domestic waste. If being dumped together with domestic waste electric and electronic equipment may have severe impacts on the environment as well as human health the least of which due to the possibly of hazardous materials.

In accordance with the European WEEE directive Fujipla provides an easy way to recycle waste of electric and electronic equipment. Please dispose of electric and electronic equipment waste by using your local collection site for this type of waste.

SAFETY PRECAUTIONS:

For safe operation, be sure to observe following precautions.

Installation:

1. Do not install the Lamipacker in a humid, dusty area, or near an air conditioner.
2. Install Lamipacker on a level surface and leave enough space in the rear to guide laminated objects out the exit.
3. Do not put anything on top of the Lamipacker.
4. Be certain that the power source connects to a dedicated and grounded AC120V 60 Hz outlet. Do not share the electrical outlet with other devices.
5. Use in a well ventilated room.

Laminating film:

- While genuine FUJIPLA "CP Roll" is recommended any quality 1.5 or 3 mil laminating film may be used. Contact your dealer.

Laminating objects:

Lamination is made by heat and pressure. Inappropriate operation may cause failure in quality of lamination or in jamming of film. Avoid lamination of the following:

- Inflammable substances or any substance susceptible to heat (e.g. vinyl chloride, polyethylene, etc.)
- Valuable items which are unique and not replaceable. Do not laminate money.
- Lamination items which exceed 35mil. In total thickness.
- Objects which change color or quality with heat (e.g. thermal paper, pictures drawn with crayon etc.)

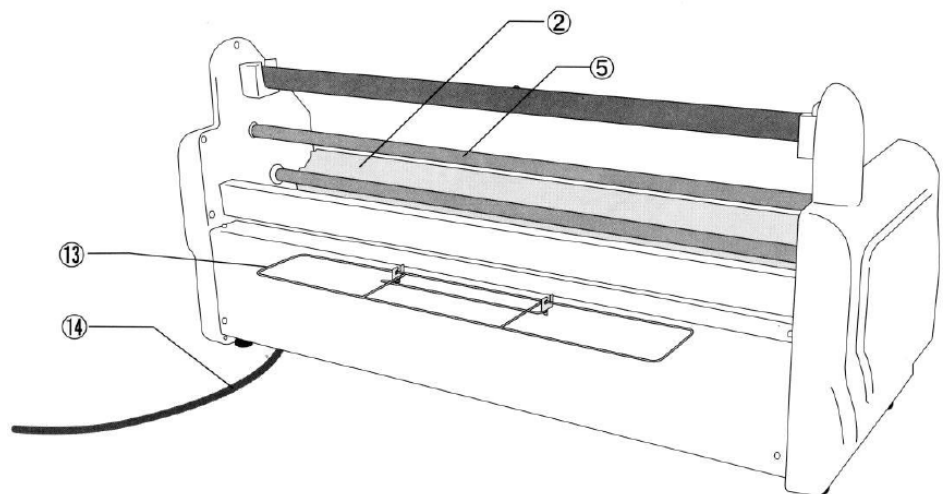
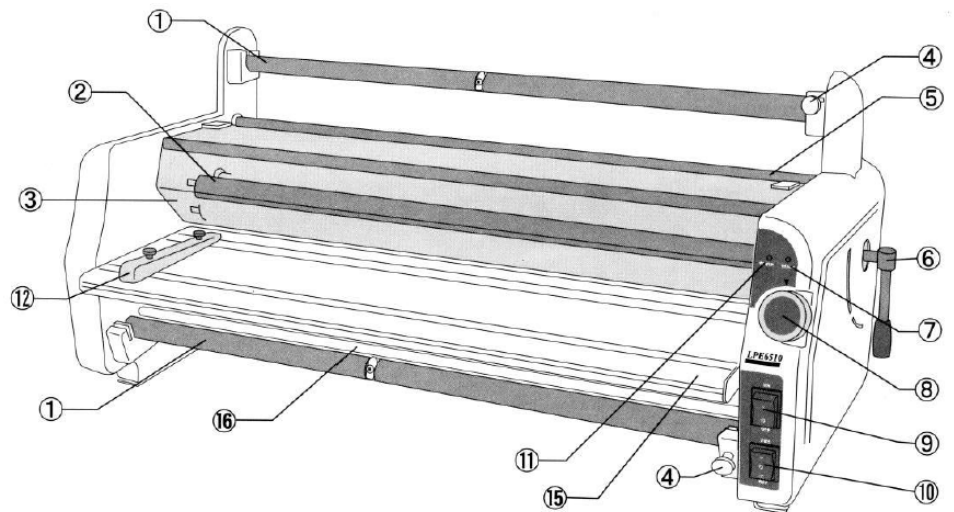
Operation:

- Operate the Lamipacker only for lamination of paper items.
- Do not leave the Lamipacker during operation.

1. NAMES AND FUNCTIONS:

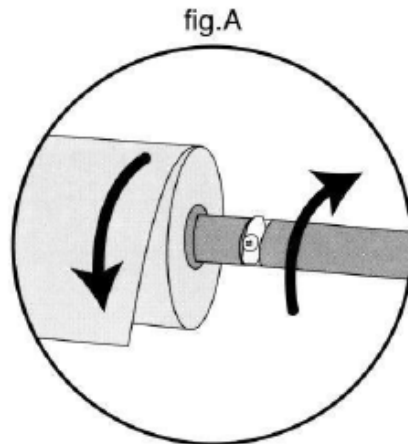
Name of Components

1. Mandrels
2. Heat Shoe and Heat Rollers
3. Safety Cover
4. Tension Controllers
5. Upper Guide Roller
6. Operation Lever
7. READY Lamp
8. Control Dial
9. Power Switch
10. Motor Switch
11. POWER Lamp
12. Front Guide Plate
13. Rear Tray
14. Power Cord
15. Feed Tray
16. Lower Guide Roller

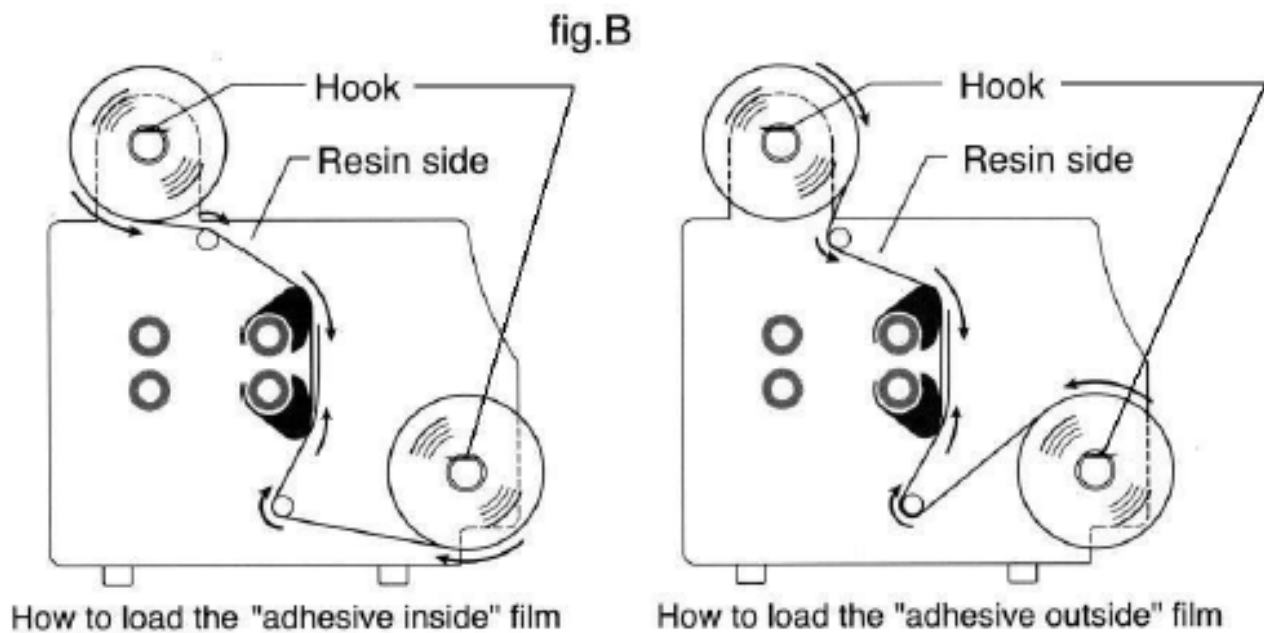


2. FILM SETTING:

Insert Mandrel into the film roll (Upper & lower). Be sure the direction of hooks is in the reverse direction of the film rotation (fig. A).



Set the film roll and Mandrel on the machine (Upper & lower). *Be sure the adhesive side of the film is facing you, not the Heat Chamber (fig. B).



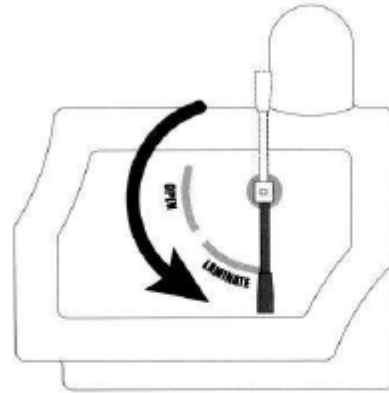
Pull out the end of the upper film roll and pull the film down in front of the Heat Roller, passing it over the Upper Guide Roll as illustrated. Pull out the end of lower film roll passing the film around the back of the Lower Guide Roller. Adjust the position of upper and lower films so that edges of the films align. Put the end of lower film over the upper film.

NOTE: "Adhesive outside" film is not a common film type.

3. WARMING UP:

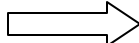

Set Operation Lever to LAMINATE position. Turn on Power Switch. POWER lamp (red) will glow.

- LAMINATE: Rollers will be closed.
- OPEN: Rollers will be opened.



Operation Lever

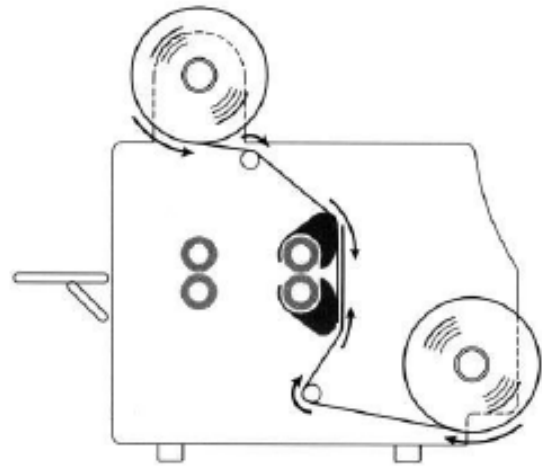
Set temperature according to the object to be laminated:

Machine 	LPE 3510 (13")		LPE 6510 (25")	
Item to be laminated 	Film thickness		Film thickness	
	1.5mil	3.0mil	1.5mil	3.0mil
Thin Paper, Copying Paper, Printing Paper, Brochure	6-7	7-8	7-8	7-8
Thick Paper, Business Card, Thick Printing Paper, Photo Paper	7-8	8-9	8-9	8-9
<p>The setting may be affected by room temperature conditions. Lamination is an art form. Experimentation is the key to successful results. The above settings are for "School-Lam" film. There are some higher quality films which will melt at lower temperatures. Consult the directions for the film being used.</p>				

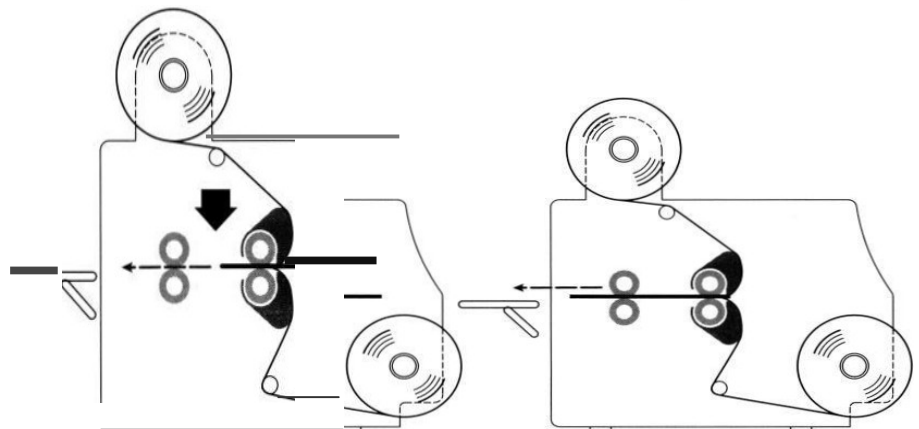
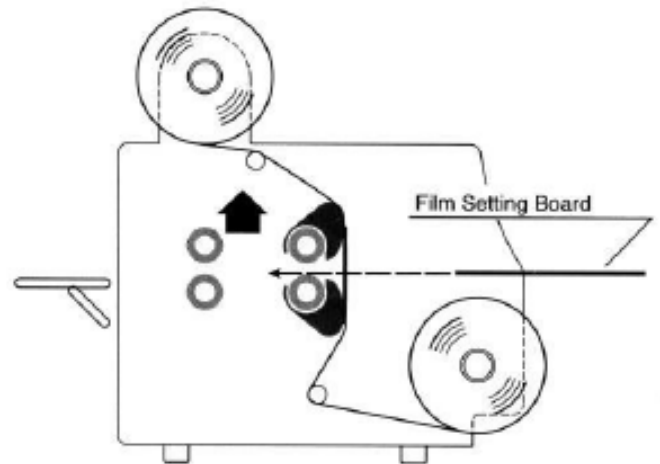
READY lamp (green) will glow indicating the machine is now ready for laminating.

4. OPERATION:

Level the rear tray to the operation position.
Overlap upper and lower film in the front of Heat Shoe.



Set the Operation Lever up to "OPEN".
Position a Film Setting Board between the Heat Rollers together with films.



Set Operation Lever down to "LAMINATE". Switch the Motor Switch to the FWD position and pass the film web through the rollers using the film setting board (threading card) (included with the laminator).

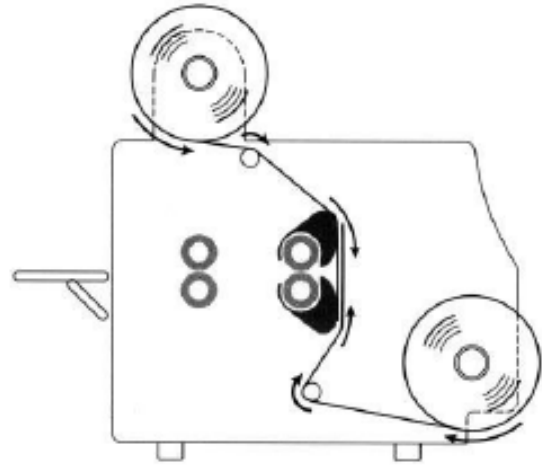
Be certain that the threading card exits the rear of the machine. Allow the threading card to drop towards the floor as the machine runs.

If the threading board does not exit the machine STOP THE MOTOR and use the reverse function to bring the card back out the front. Left to run in this manner will cause damage to delicate parts on the interior of the machine.

4. OPERATION (cont'd):

Creases or wrinkles may appear in the film as it exits the rear of the machine. Observe the film at the face of the Heat Chambers. There may be the occurrence of creases or "waterfall" of the film along the chambers. They should disappear shortly. If they do not disappear, adjust the film tension.

- To increase tension, rotate Tension Controller clockwise.
- To decrease tension, rotate Tension Controller counter-clockwise.



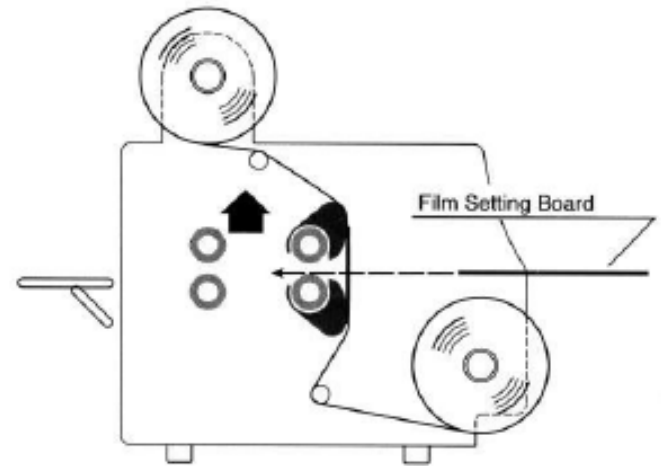
Notes:

During lamination, be sure that Safety Cover and Feed Table are securely set.

If READY lamp does not glow stop the lamination until the lamp glows again.

Rollers rotate in reverse when Motor Switch is turned to REV. Do not use this function except in case of emergency.

If the REV is used film may back up into the lamination area and cause a jam.



5. FINISH OF LAMINATION:

Switch OFF Motor Switch.

Turn off the Power Switch, and unplug.

6. CLEANING OF ROLLERS:

Clean rollers when necessary. An excess of adhesive stuck to the rollers may cause film jamming.

Fold a sheet of paper (e.g. calendar, catalogue, etc.) in two.

Insert the paper several times between the rollers with folded side first.

Cleaning periodically by wiping with a rag soaked with methyl or ethyl alcohol is recommended because old adhesive cannot be easily removed.

Never use organic solvents (toluene, benzene, thinner, etc.).

Do not use thin paper (e.g. copying paper) for the cleaning of the rollers as it may cause jamming.

Do not use metal or sharp materials to remove glue from rollers.

Use Dry-Lam's Maintenance Kit (part number 01300) to lubricate the face of the Heat Chambers between film roll changes. Doing so will allow film to pass effortlessly over them producing higher quality laminations with less back-tension from the Chambers. The lubricate will also increase the effective life of the chambers. See your dealer or contact Dry-Lam for this part.

7. LAMINATING FILM

It is recommended to use Fujipla, Dry-Lam, or other quality films. See your dealer.

8. SPECIFICATIONS:

MODEL	LPE3510	LPE6510
Maximum Laminating Width	13"	25"
Laminating Film Thickness	1.5mil or 3.0mil	
Laminating Speed	4ft./min	3ft./min
Temperature	194°F-305°F (adjustable)	
Power Source	AC120 V 60Hz	
Current	6.7A	11.7A
Current Power	800W	1400W
Carton Dimension (W x L x H)	21.7"x15.4"x15.6"	33.5"x15.4"x15.6"
Net/Shipping Weight	50/61LBS.	62/80LBS.
Remarks	The room temperature should be within the range of 32 °F to 100 °F. The recommended room temperature is 68 °F. The machine can only be used at an altitude below 7000 feet.	

- Specifications may be modified without prior notice.

9. WARRANTY:

This product is manufactured under a strict quality control system and has undergone stringent testing at our factory. To make sure, however, we guarantee the product under the following terms and conditions:

- Should a failure arise under normal operating conditions we will provide the labor to replace any defective part deemed to be due to a manufacturing defect without charge to purchaser, provided that the product is brought or shipped in to our dealer or our authorized service center.

We will charge the purchaser for defects subject to the following cases, even in the warranty period:

- Any breakdown or damage arising from abuse, neglect or any alteration or modification to the machine.
- Any breakdown or damage from fire, earthquake, or any act of God.
- Any visual changes in cosmetic parts caused by normal use.
- Any charges for shipping and shipping damage.
- This warranty does not cover articles that cannot be laminated satisfactorily.

*To inquire about maintenance or to order laminating film, please contact your FUJIPLA dealer or Dry-Lam.

(end)

