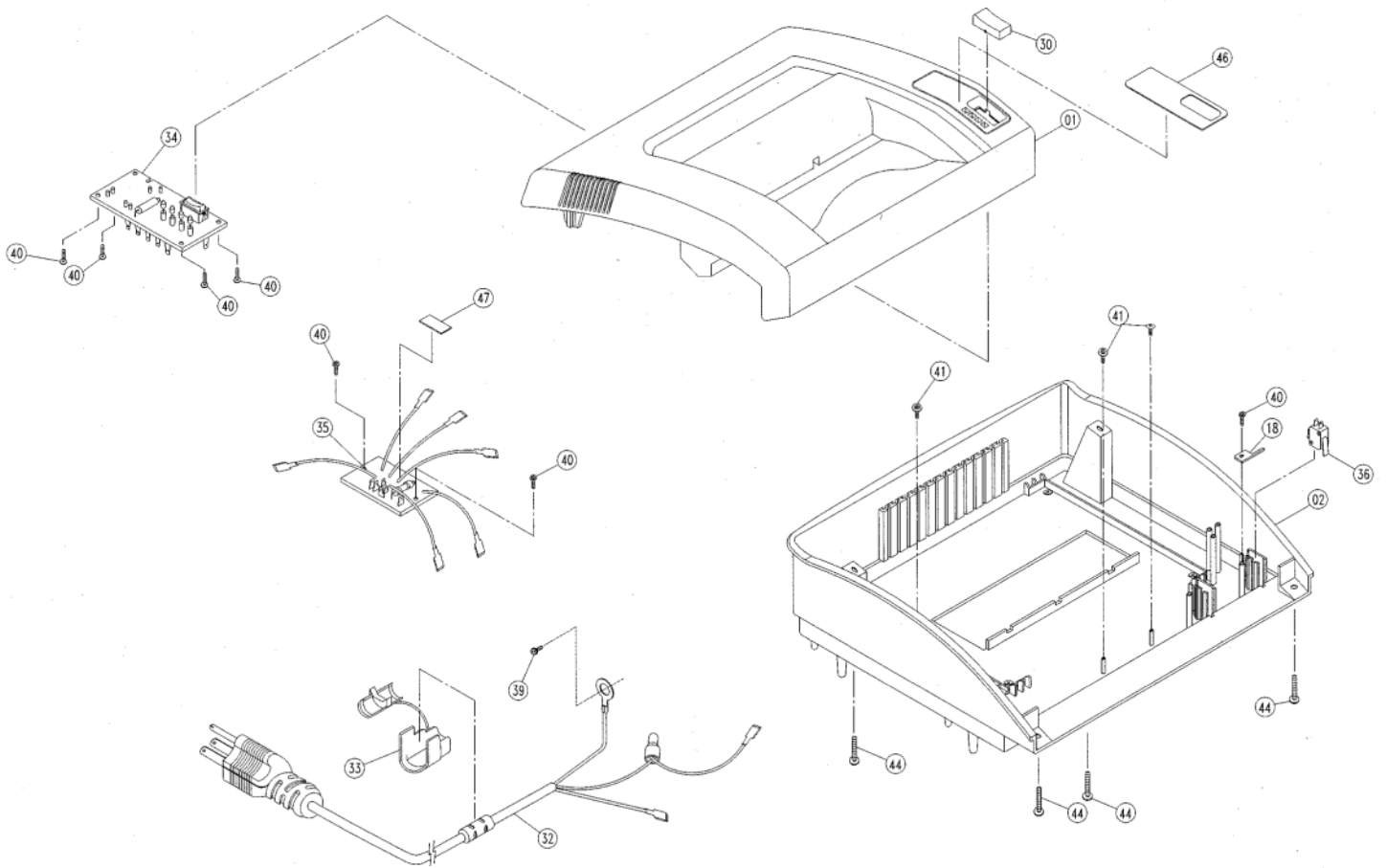


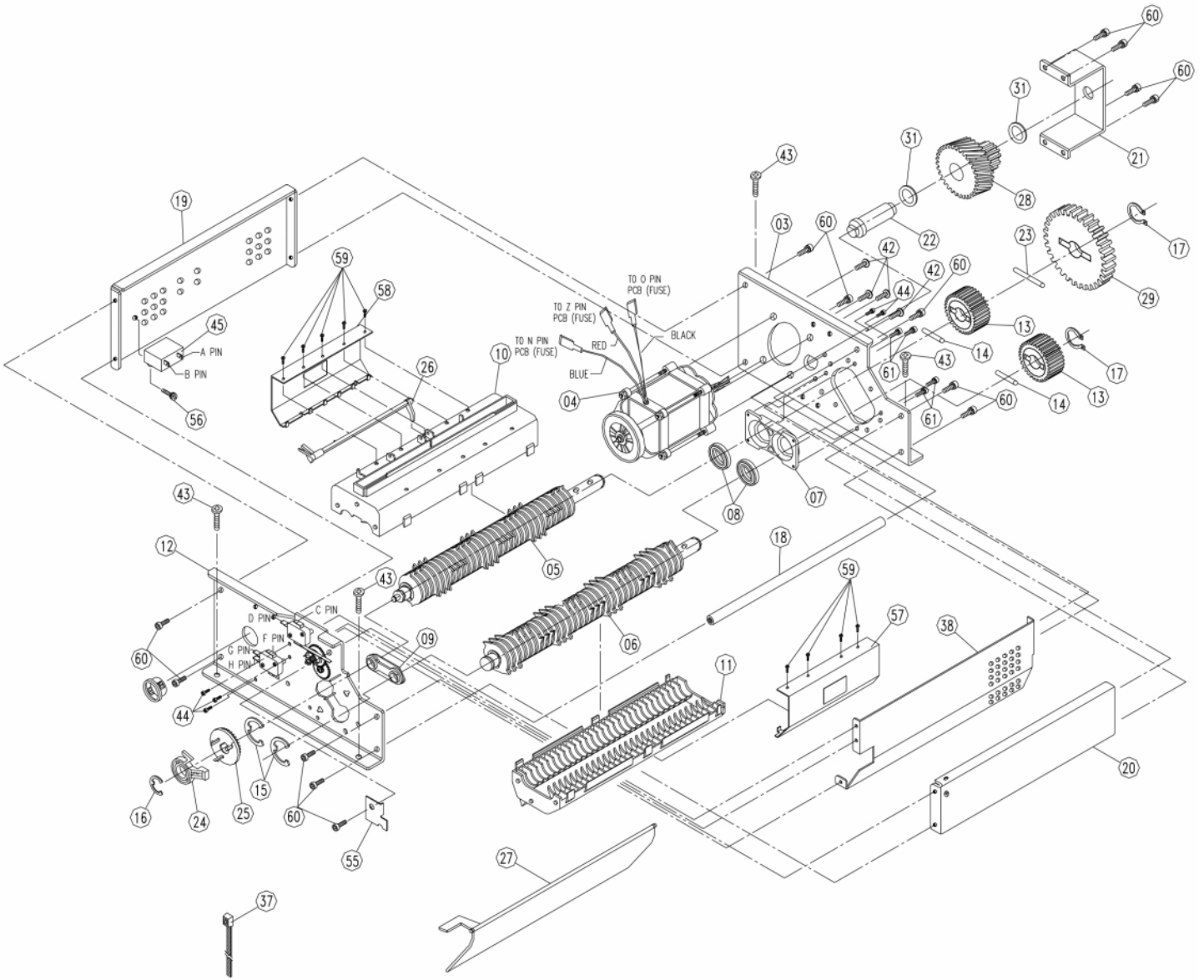
---

# 1150X

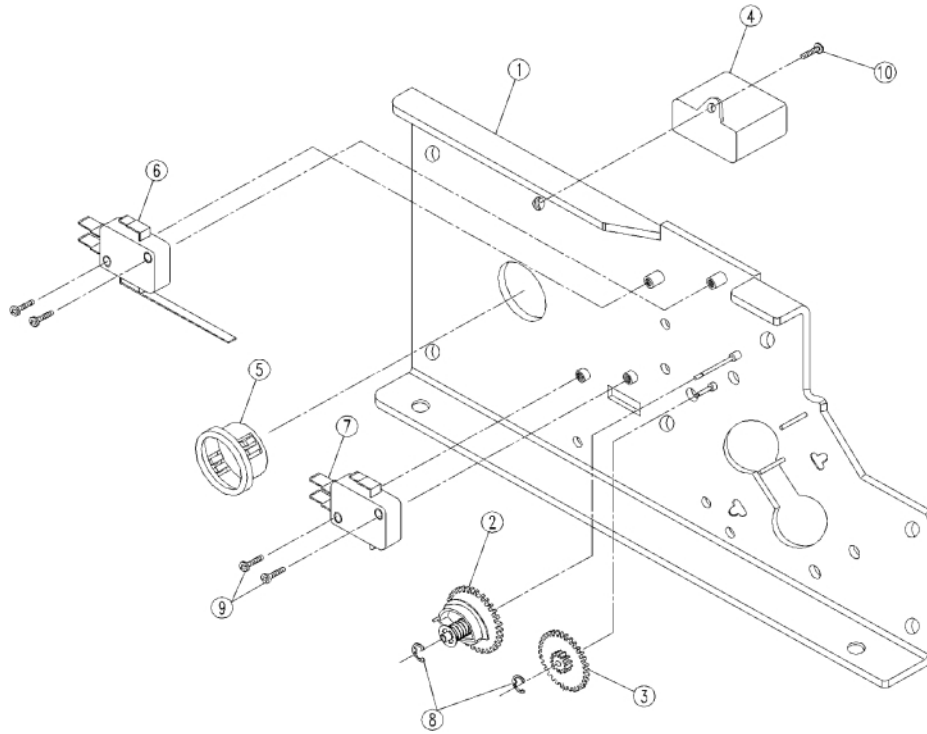
## PARTS LIST



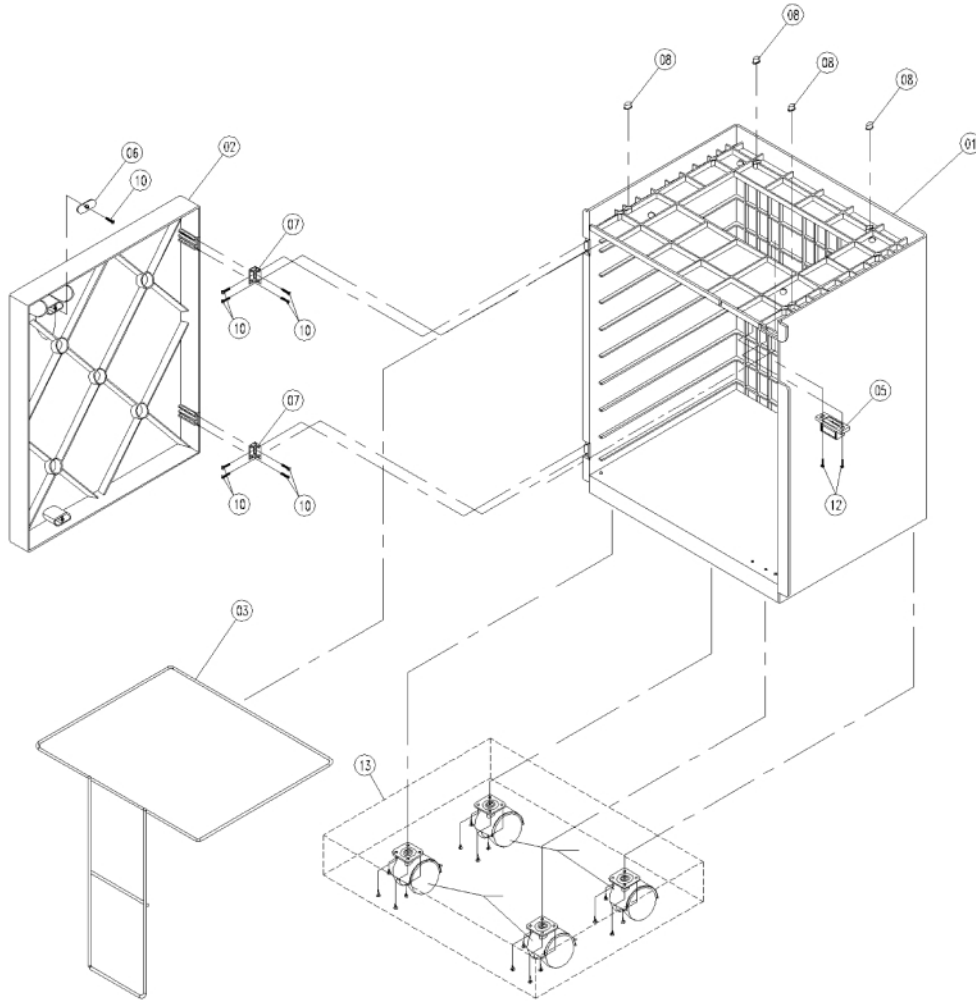
*	1751726	KL7350000A	Warning Label	1	1
46	1751931	XF2501000X	Name Plate	1	1
44	-REF-	S7SLB0000S	Screw M3X8 Spring Washer	5	5
43	-REF-	S1VKF00000	Screw 5X16 Tapping	8	8
41	-REF-	S1DJN0000F	3X8 With Washer	3	3
40	-REF-	S1RYN00000	Screw #3X8 Tap	7	7
39	-REF-	S1VGF0000E	Screw M4X8 P Gear Washer	1	1
36	6202038	ESWC02270X	Micro Switch, Door	1	1
35	1751726	ASYMO7421A	Fuse PCB		1
35	1751901	ASYMO7149X	Fuse PCB	1	
34	1751727	ASYMO7148A	PCB, Control		1
34	1751717	ASYMO7367X	PCB, Control	1	
33	1751902	XF0400000X	Strain Relief Bushing		1
32	1751704	ASYMO7430B	AC Power Cord	1	
30	1751904	PW040A068A	Switch Cap	1	1
18	1755732	MN2800000X	Switch Fixer	1	1
2	1751932	PV240XXXXX	Bottom-Housing	1	1
1	1751906	PV230A1E1B	Housing-Top	1	1
<b>ITEM</b>	<b>PRT NO.</b>	<b>REF. NO.</b>	<b>DESCRIPTION</b>	<b>115V</b>	<b>230V</b>



60	-REF-	S75JB0000S	Screw M5X10 Spring Washer	14	14
59	-REF-	S1RYN00000	Screw #3X8 Tap	9	9
58	1751775	MP7510000X	Holder-Rear	1	1
57	1751774	MP7500000X	Holder-Front	1	1
55	1755733	MO130F000X	Trigger Holder	1	1
45	1751736	ECAP606700	Capacitor 7.5uf/400VAC		1
45	1751947	ECAP60700X	Capacitor 20uf/250VAC	1	
43	-REF-	S1VKF00000	Screw #5X16 B Tapping	8	8
42	-REF-	S1VFF0000E	Screw #5X10 B Gear Washer	4	4
31	-REF-	XJ6900000X	Spacer 12.2 t = 0.3	2	2
29	1751938	PV880D7XXX	Spur Gear 50T	1	1
28	1751766	PV870H5XXX	Gear -A 53T+11T	1	1
27	1751922	PV300XXXXX	Flap	1	1
26	1751716	PV290XXXXX	Auto Parts	1	1
25	6180021	PH820HOXXX	Auto Gear 32T	1	1
24	1751764	PARS0XXXXX	Rev Cam	1	1
23	1750713	MM0600000X	Knife Shaft Pin 6X40mm	1	1
22	1751920	ML6500000X	Gear Shaft	1	1
21	1751919	ML6200000X	Gear Holder	1	1
20	1751918	ML6100000X	Plate-D	1	1
19	1751917	ML5000000X	Plate-C	1	1
18	1751916	MIA4800000X	Side Plate Support	1	1
17	-REF-	MC5000000X	#15 C-Ring	2	2
16	-REF-	MC4700000X	#5 E-Ring	1	1
15	-REF-	MC4600000X	#12 E-Ring	2	2
14	1751915	MC3400000X	Shaft Pin	2	2
13	6180029	MC1000000X	Spur Gear-A 20T	2	2
12	1751939	ASYMO5833X	Plate-A Ass'y	1	1
11	1751937	PV280XXXXX	Paper Guide - Bottom	1	1
10	1751936	PV270XXXXX	Paper Guide - Top	1	1
9	1751765	MP2800000X	Bushing	1	1
8	1751911	MM0900000X	Bearing 6002	2	2
7	1751910	ML6600000X	Bearing Holder	1	1
6	1751768	ASMY08387X	Cross Cutter (B) Assy	1	1
5	1751769	ASYMO8386X	Cross Cutter (A) Assy	1	1
4	1751737	EMTR01030A	2P AC Motor		1
4	1751767	EMTR00990X	2P AC Motor	1	
3	1751738	ASYMO7044A	Plate-B		1
3	1751933	ML7400000X	Plate-B	1	
<b>ITEM</b>	<b>PRT NO.</b>	<b>REF. NO.</b>	<b>DESCRIPTION</b>	<b>115V</b>	<b>230V</b>



10	-REF-	S1W4F0000E	Screw M4X10 P Gear Washer	1	1
9	-REF-	S1CFNOOOOX	M3 X 14	2	2
8	-REF-	MA8400000X	#1.5 E-Ring	2	2
7	1751930	ESWCO2280X	Micro Switch	1	1
6	1750294	ESWC03000X	Trigger Switch	1	1
5	1751929	XF1400000X	Snap Bushings	1	1
4	1751736	ECAP606700	Capacitor 7.5uF/400VAC		1
4	1751947	ECAP60700X	Capacitor 20uF/250VAC	1	
3	1750308	PC370HOXXX	Gear (A)	1	1
2	1751928	ASYMO2755X	Auto Cam Ass'y	1	1
1	1755728	ML7200000C	Plate-A	1	1
<b>ITEM</b>	<b>PRT NO.</b>	<b>REF. NO.</b>	<b>DESCRIPTION</b>	<b>115V</b>	<b>230V</b>



					<b>QTY</b>	
13	1751707	ASYP07137A	Castor Set	1	1	
12	-REF-	S1VJN0000X	Screw 3X12 Washer Tapping	2	2	
*	-REF-	S1VIF0000X	Screw M4X14	4	4	
10	-REF-	S1VDB0000X	Screw #3X12 Type P F Black	9	9	
8	1751946	XF1100000A	Cushion	4	4	
7	1751945	MH1300000A	Hinge	2	2	
6	1751944	MM1000000A	Magnet Plate	2	2	
5	1751943	XF1500000A	Magnet	2	2	
*	1751942	MN210Z000A	Support Bar	2	2	
3	1751706	ML640L900A	Bag Rim	1	1	
2	1751941	PV830JOE1A	Door	1	1	
1	1751940	ASYM05835A	Cabinet Ass'y	1	1	
<b>ITEM</b>	<b>PRT NO.</b>	<b>REF. NO.</b>	<b>DESCRIPTION</b>	<b>115V</b>	<b>230V</b>	

\* Not shown

1751937	PV280XXXXX	Paper Guide - Bottom	1	1
1751936	PV270XXXXX	Paper Guide - Top	1	1
1751768	ASMY08387X	Cross Cutter (B) Assy	1	1
1751769	ASYMO8386X	Cross Cutter (A) Assy	1	1
6180029	MC1000000X	Spur Gear 20T	2	2
1751706	ML640L900A	Bag Rim	1	1
1751707	ASYP07137A	Castor Set	1	1
1751938	PV880D7XXX	Spur Gear 50T (2250X)	1	1
1751766	PV870H5XXX	Gear -A 53T+11T (2250X)	2	2
1751716	PV290XXXXX	Auto Parts	1	1
1751727	ASYMO7148A	PCB, Control		1
1751717	ASYMO7367X	PCB, Control	1	
1751737	EMTR01030A	2P AC Motor (2250X)		1
1751767	EMTR00990X	2P AC Motor (2250X)	1	
1751930	ESWCO2280X	Micro Switch	1	1
1750294	ESWC03000X	Trigger Switch	1	1
<b>PRT NO.</b>	<b>REF. NO.</b>	<b>DESCRIPTION</b>	<b>115V</b>	<b>230V</b>