

1246S PARTS LIST

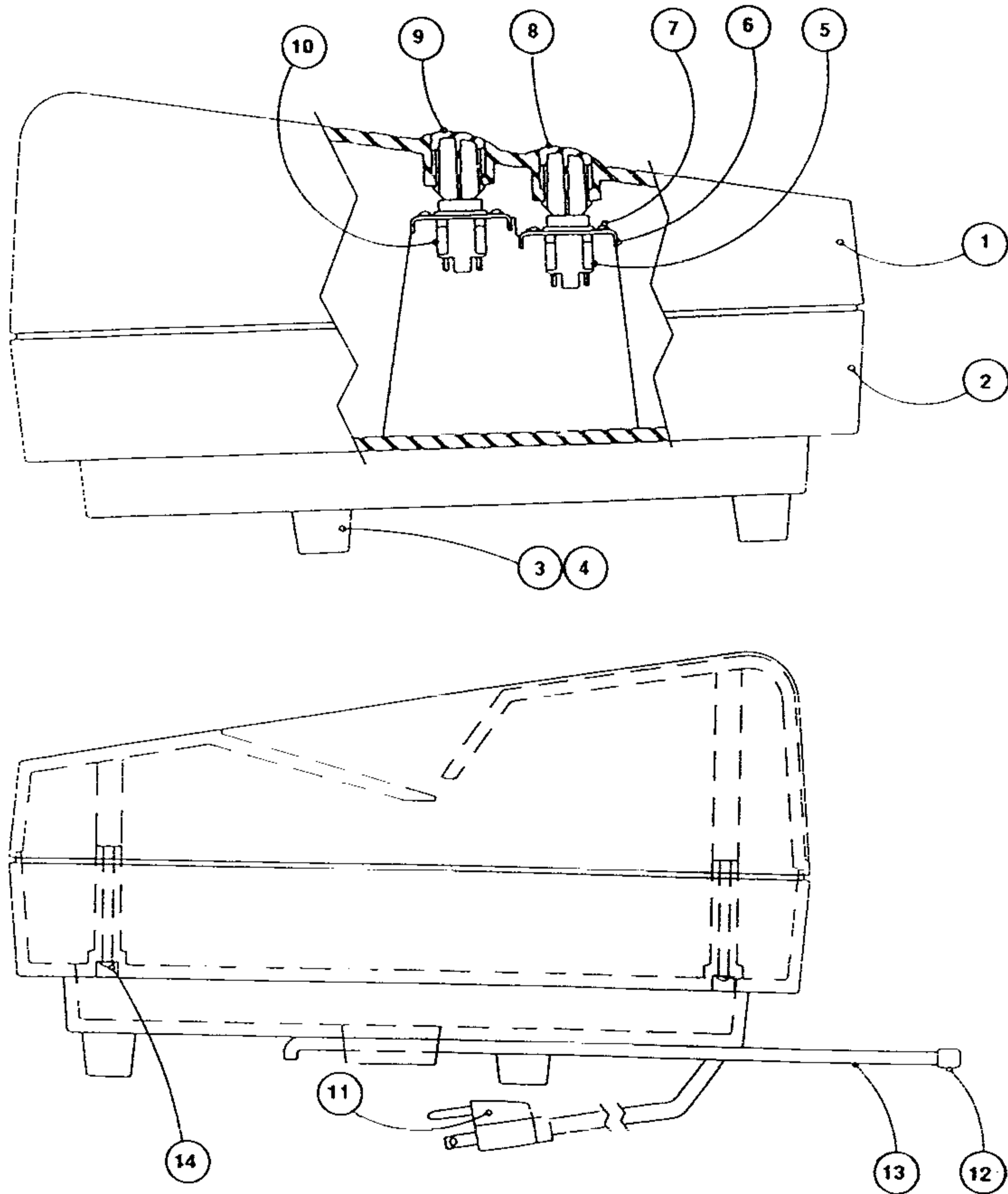
8.0 PARTS

Figure 8.1

ITEM #	PART NO.	DESCRIPTION	QTY.
1	7500430	TOP SHELL	1
2	7500431	BOTTOM SHELL	1
3	7500050	RUBBER FOOT	4
4	1902827	SCREW 10-32 X 3/4	4
5	7500033	OFF/REVERSE SWITCH	1
6	7500034	SWITCH MTG. BRACKET	2
7	1911109	SCREW 6-32 X 1/4	3
8	7500043	BUTTON CAP-OFF SWITCH	1
9	7500030	BUTTON CAP-ON SWITCH	1
10	7500044	ON-SWITCH	1
11	6200000	POWER CORD SET	1
12	1145247	PLASTIC CAP	2
13	7500041	BAG ROD	2
14	1902813	SCREW 8-32 X 1-1/4	4

8.0 PARTS

FIGURE 8.1



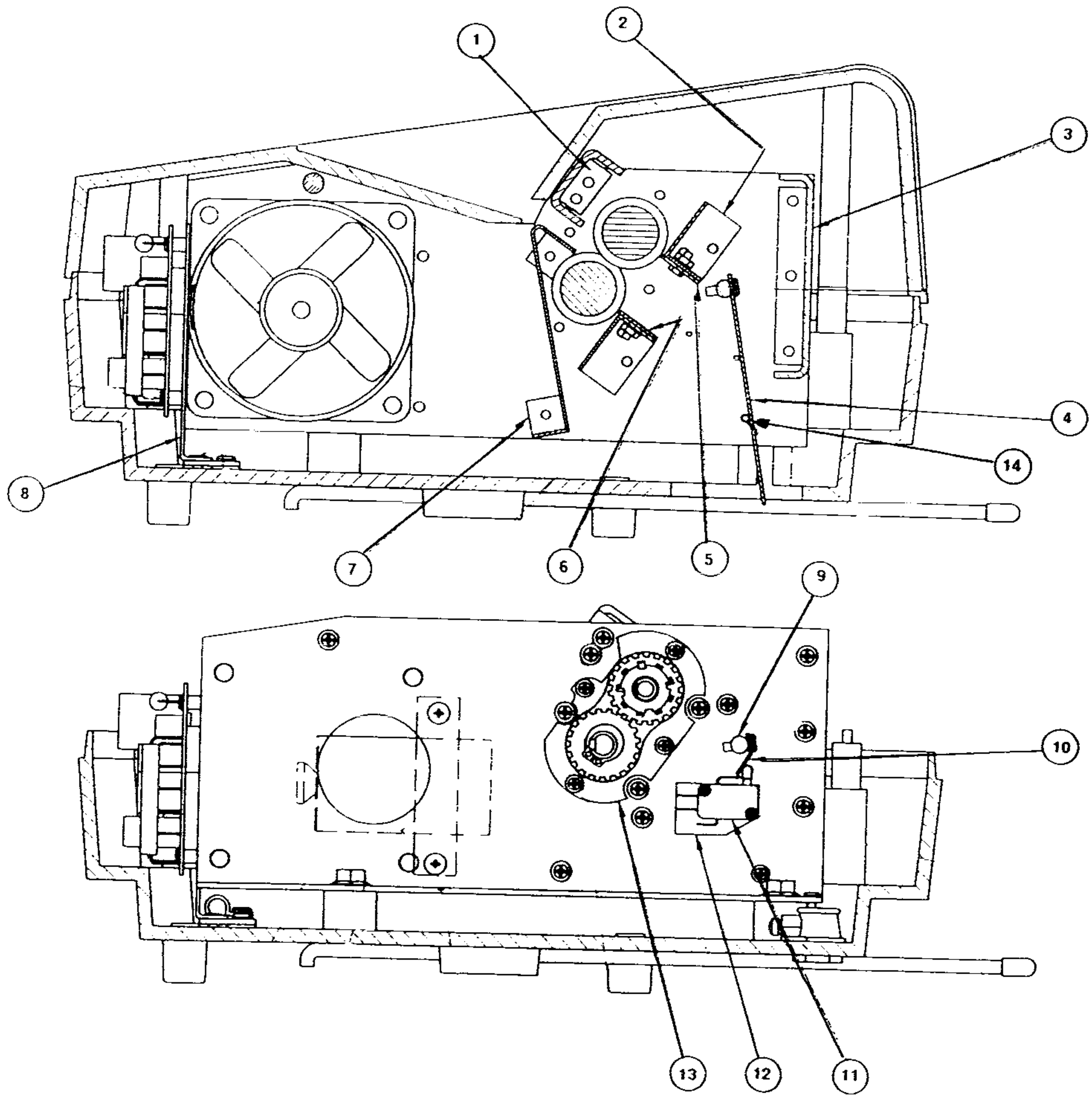
8.0 PARTS

Figure 8.2

ITEM #	PART NO.	DESCRIPTION	QTY.
1	7500445	UPPER PAPER GUIDE	1
2	7500435	SUPPORT, STRIPPER	2
3	7500450	BACK CROSS PLATE	1
4	7500443	GUARD	1
5	7500434	STRIPPER, UPPER	1
6	7500433	STRIPPER , LOWER	1
7	7500470	LOWER PAPER GUIDE	1
8	7500231	MOUNTING BRACKET, PCB	1
9	7500442	BAR GUARD	1
10	7500047	ACTUATOR, FLAP	1
11	1131147	SNAP SWITCH	1
12	1122005	INSULATION, SNAP SWITCH	1
13	7500481	BEARING CUP	2
14	1954304	HEAT SHRINK SLEEVE	1

8.0 PARTS

Figure 8.2



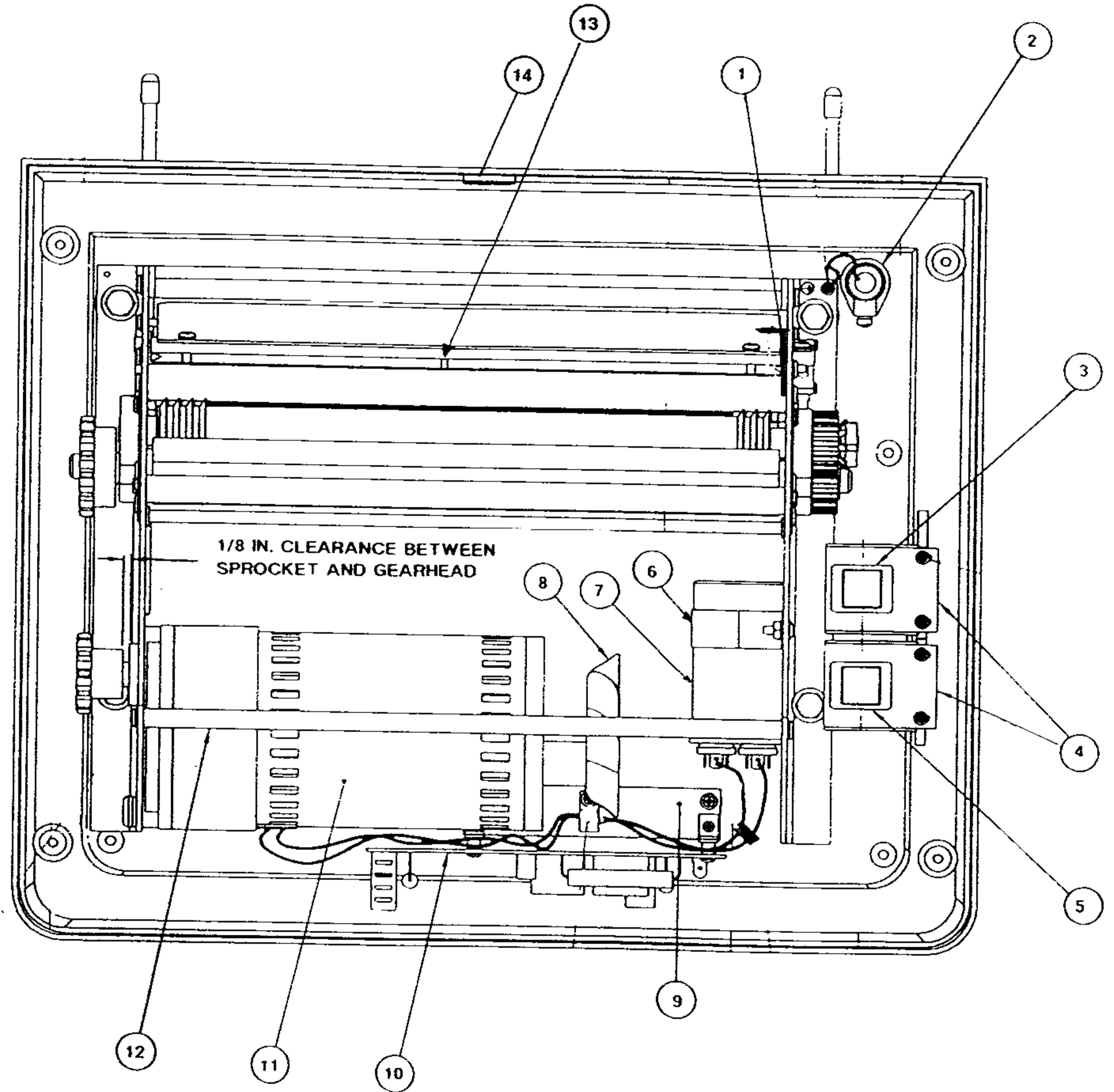
8.0 PARTS

Figure 8.3

ITEM #	PART NO.	DESCRIPTION	QTY.
1	6178016	TORSION SPRING	1
2	1952414	STRAIN RELIEF	1
3	Ref.	SWITCH, ON (see Fig. 8.1 #8)	1
4	Ref.	BRACKET, SWITCH (see Fig. 8.1 #6)	2
5	Ref.	SWITCH, OFF/REVERSE (see Fig 8.1 #5)	1
6	1145205	STRAP, CAPACITOR	1
7	6205016	CAPACITOR, 30mf	1
8	7500491	FAN BLADE	1
9	7500488	MOUNTING PLATE, P.C. BOARD	1
10	7500414	P.C. BOARD ASSY	1
11	6208031	GEAR MOTOR 1/4 HP	1
12	7500486	BAR SUPPORT	1
13	1963701	O RING	1
14	7500492	PLASTIC CHANNEL	1

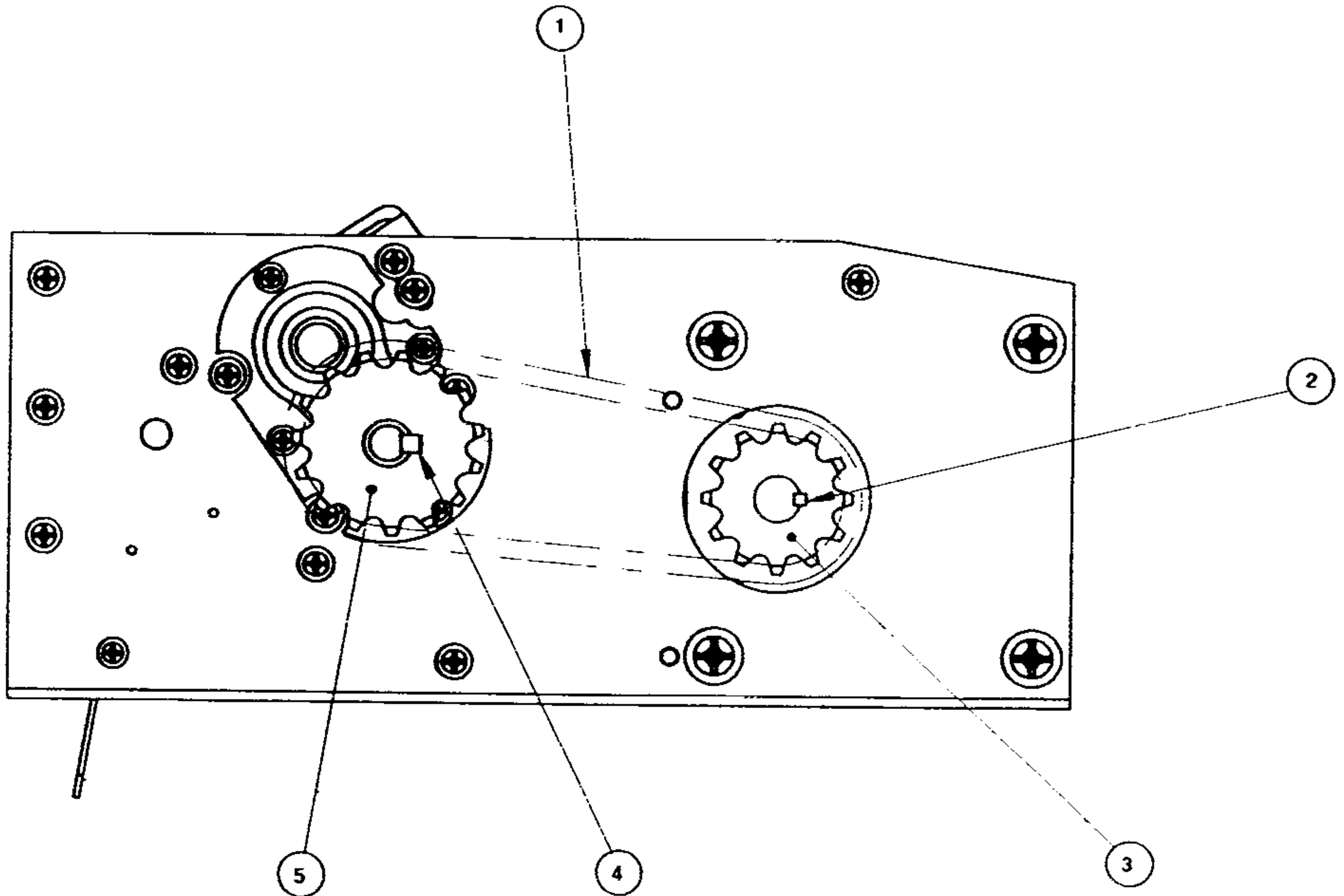
8.0 PARTS

Figure 8.3



8.0 PARTS

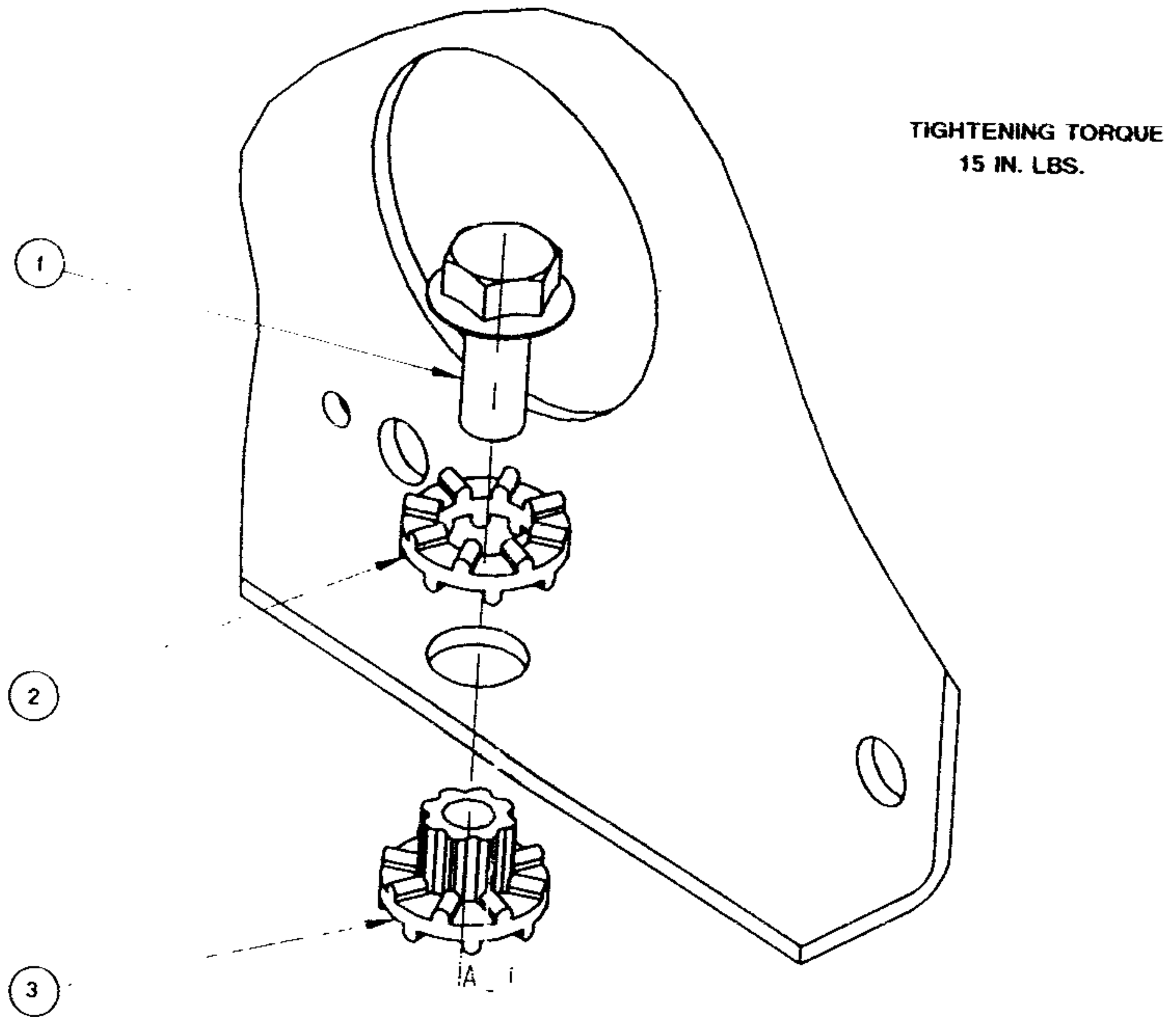
Figure 8.4



ITEM #	PART NO.	DESCRIPTION	QTY.
1	6186000	CHAIN	1
2	1852818	KEY 1/8 SQUARE X 5/8 LONG	1
3	6181000	12T SPROCKET, MOTOR	1
4	1852805	KEY 3/16 SQUARE X 3/4 LONG	1
5	6181001	15T SPROCKET, CUTTER	1

8.0 PARTS

Figure 8.5



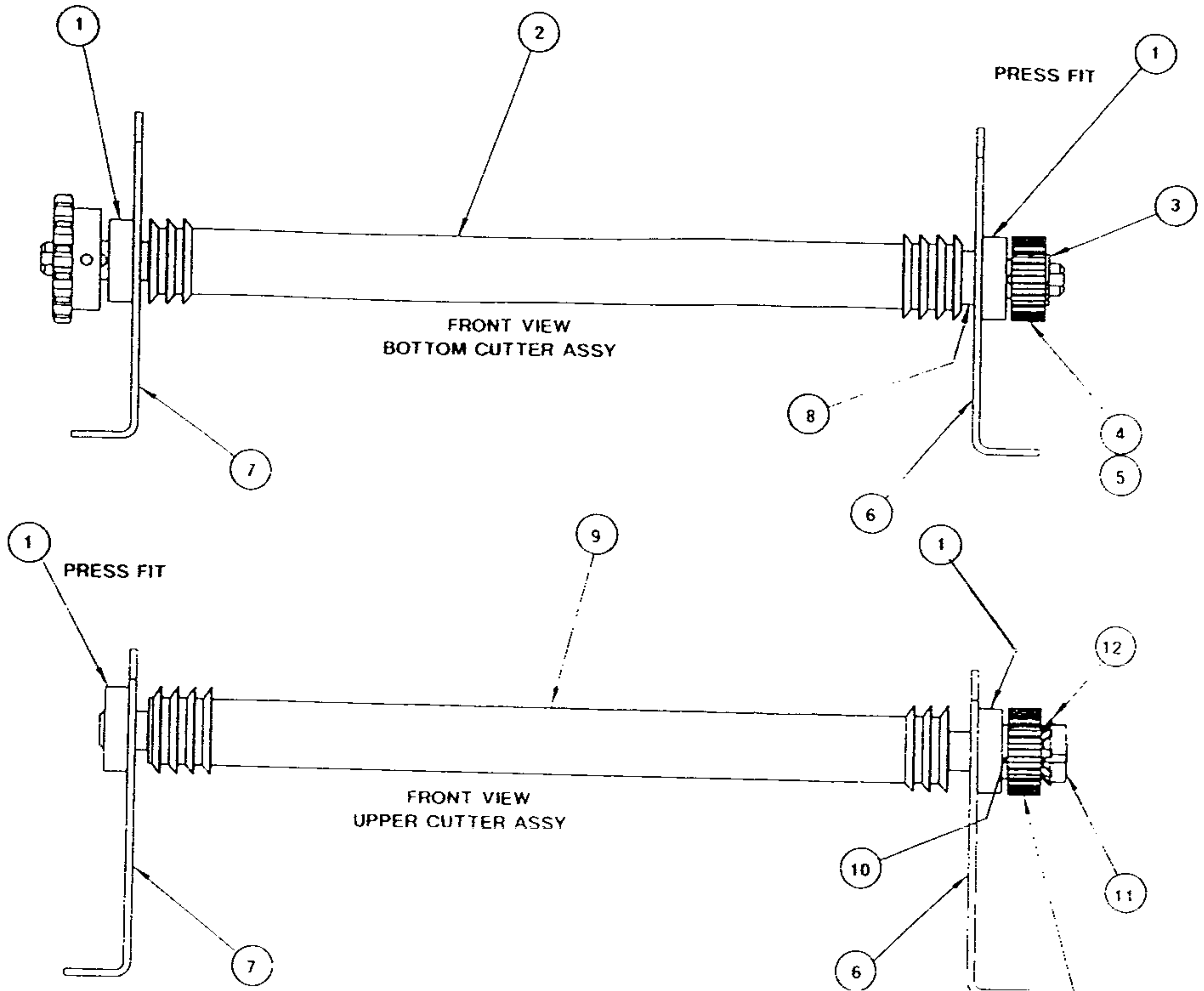
PARTIAL VIEW

CUTTING HEAD MOUNTING HOLES

ITEM #	PART NO.	DESCRIPTION	QTY.
1	1903202	SCREW 5/16-18 X 1.5 FLANGE NO.	4
2	7500489	RING, 150DAMP	4
3	7500490	BUSHING, 150DAMP	4

8.0 PARTS

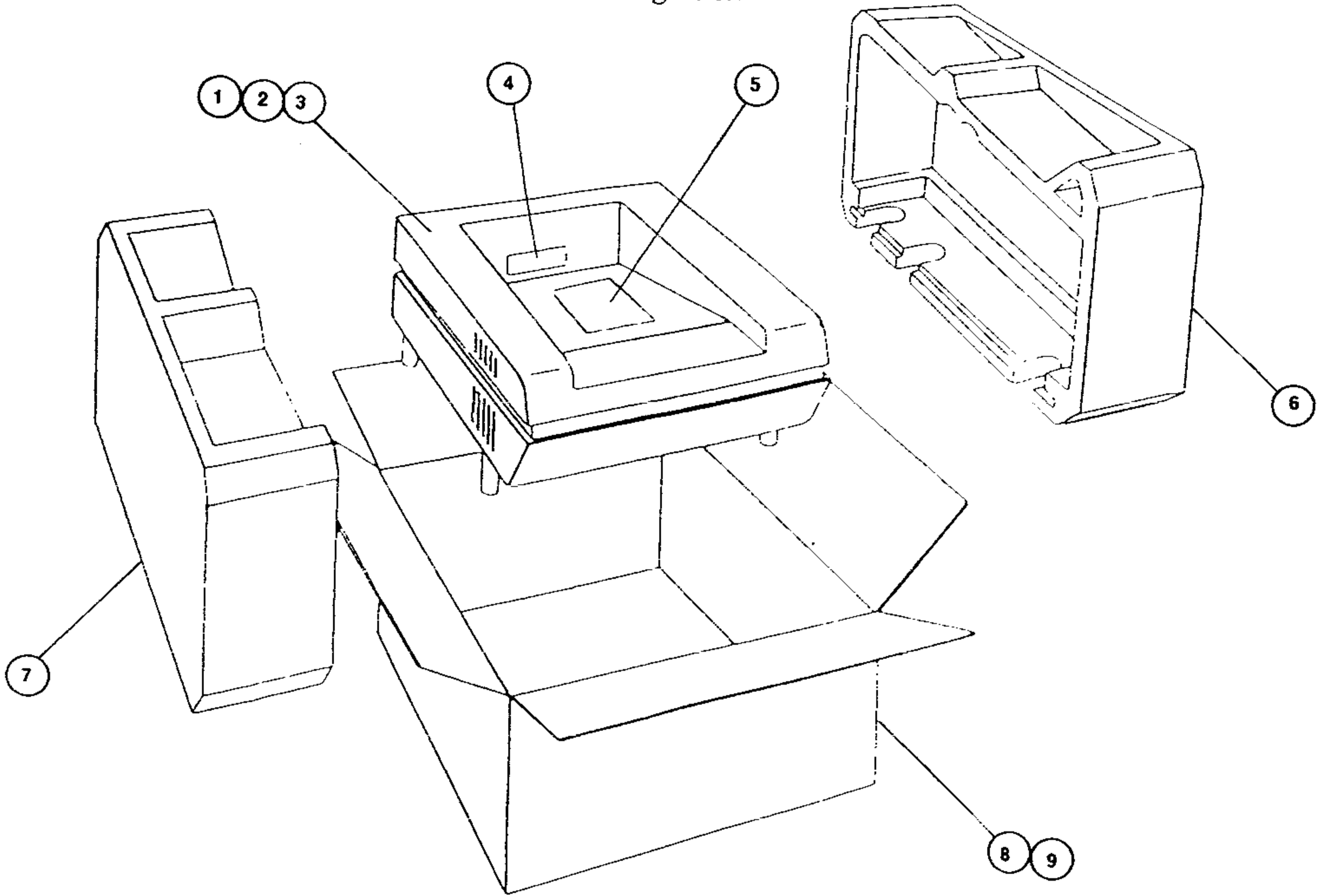
Figure 8.6



ITEM #	PART NO.	DESCRIPTION	QTY.
1	6173004	BALL BEARING, CUTTER	4
2	7500485	LOWER CUTTER	1
3	1931604	GRIP RING 1/2" DIA	1
4	1132547	GEAR, CUTTER	2
5	1852817	KEY 3/16 SQUARE X 3/8 LONG	2
6	7500482	TAIL STOCK	1
7	7500479	HEADSTOCK	1
8	7500484	SPACER	1
9	7500487	UPPER CUTTER	1
10	7500483	SPACER	1
11	1130993	LOCK NUT	1
12	1130994	LOCK WASHER	1

8.0 PARTS

Figure 8.7

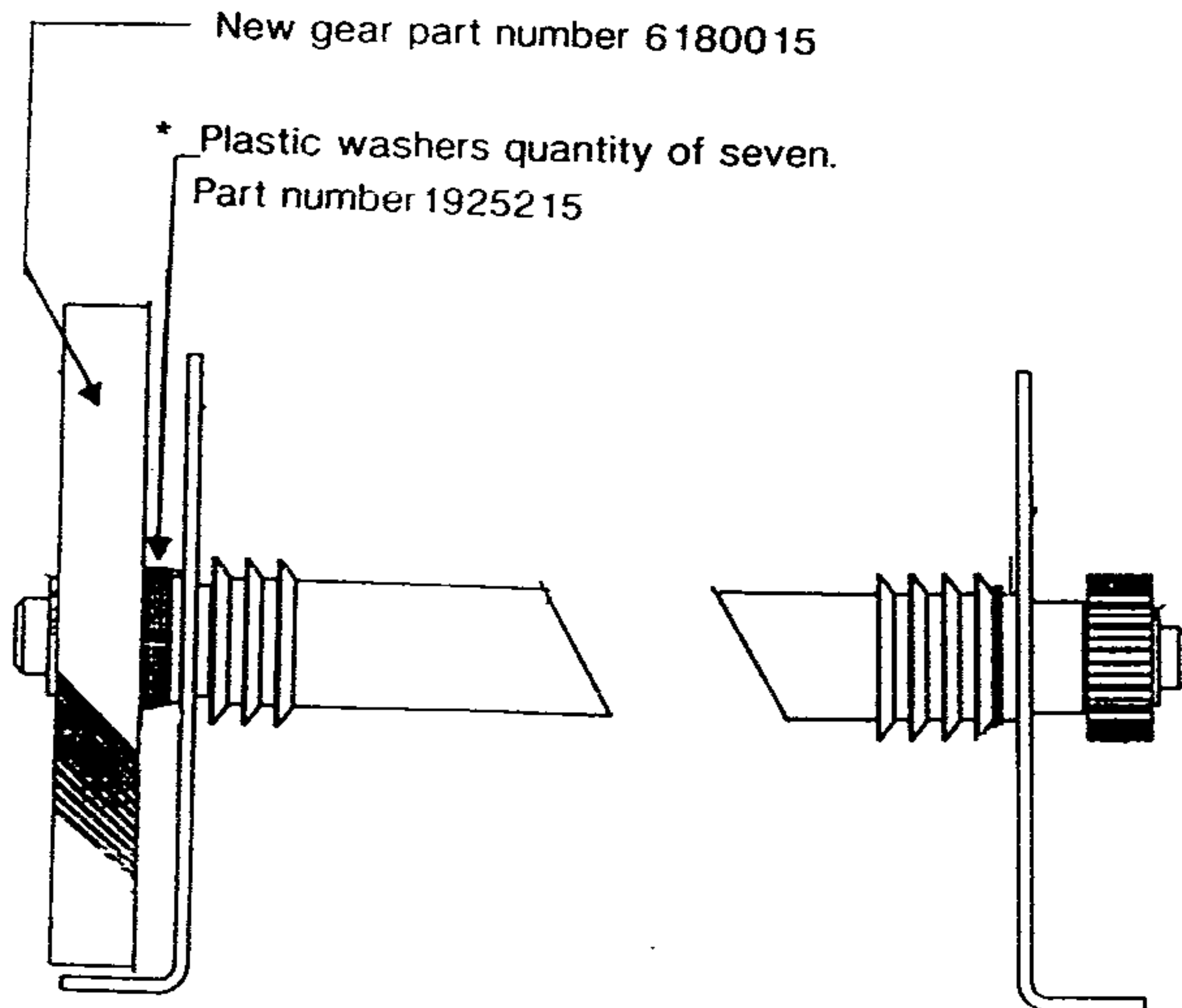


ITEM #	PART NO.	DESCRIPTION	QTY.
1	7500404	SHREDDER COMPLETE	1
2	6009007	WARNING LABEL	1
3	6009000	CAUTION LABEL	1
4	6009006	WARNING LABEL (CENTER)	1
5	6000000	INSTRUCTION MANUAL	1
6	6006000	RIGHT END CAP	1
7	6006001	LEFT END CAP	1
8	1963141	TAPE	5 ft.
9	6005001	CARTON, SHREDDER	1
10	6009041	LABEL INSTABILITY	1

< <1246S > >

Recently this model has had several parts changed. These changes can be identified by the assembly number only! Changes are listed by the assembly numbers below:

<u>Part Description</u>	<u>Assy. #7500401</u>	<u>Assy. #7500402/7500403</u>
Headstock	7500045	7500474
Tailstock	7500046	7500475
Helical Gear Cutter	7500468	6180015
Key Rounded	1145889	7500477
Motor	6208017	6208020
Retainer	7500471	N/A
Gear, Helical	7500465	N/A
PCB	7500230/7500414	1146894



* Washer's should be ordered with Helical gear on models with assembly number 7500401.