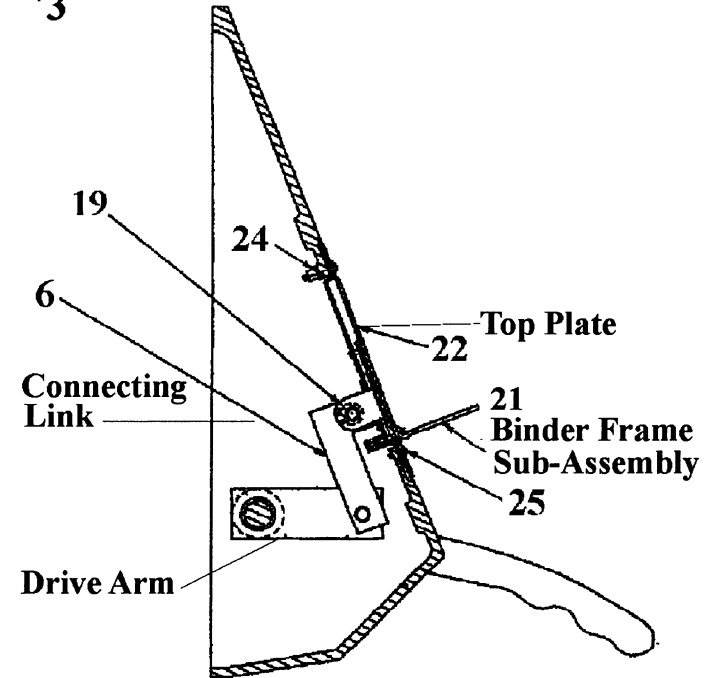
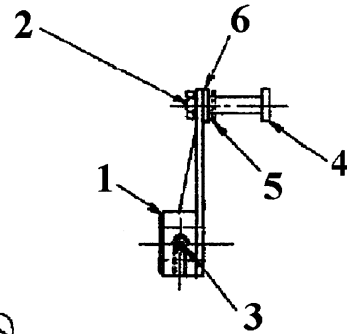
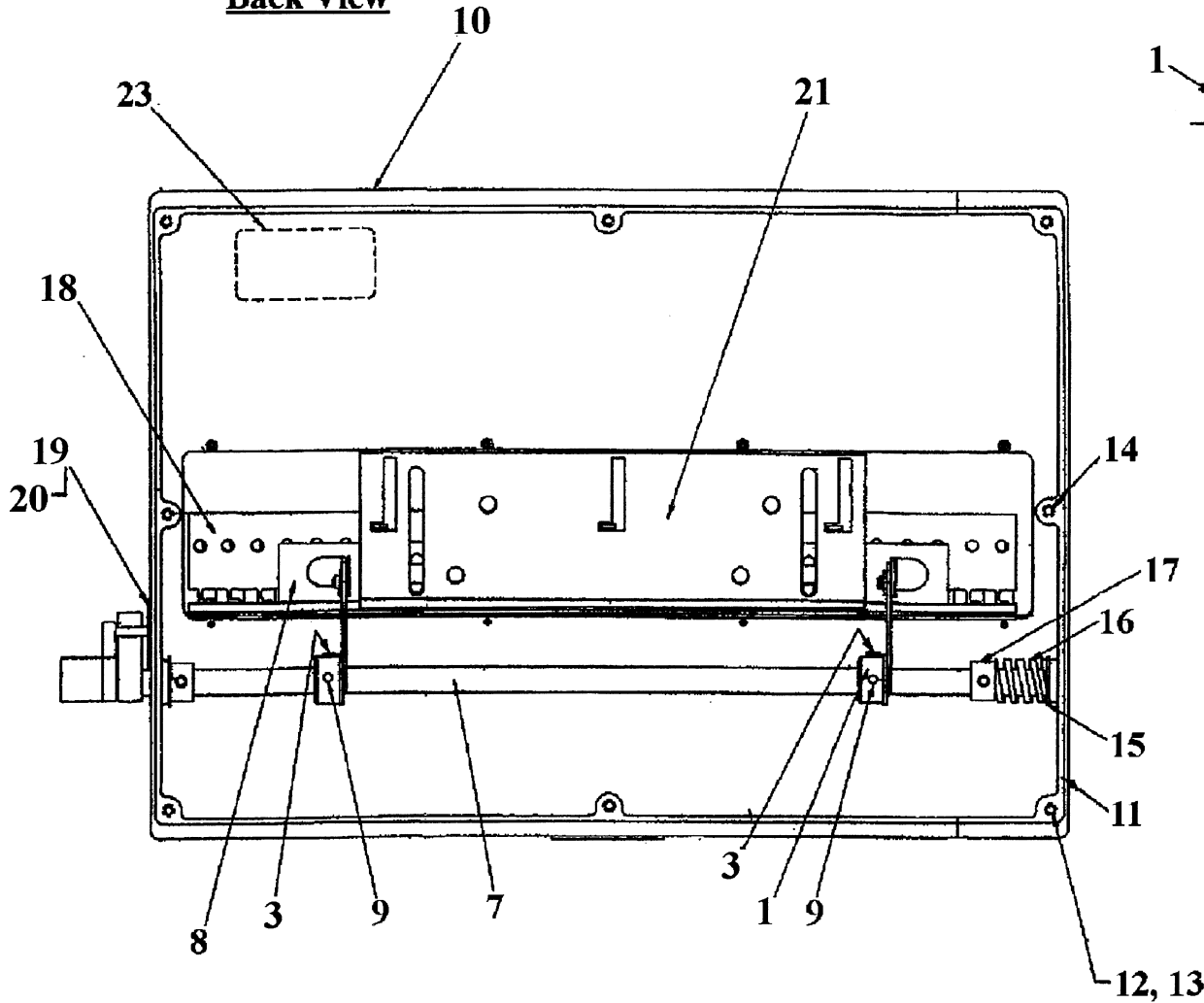
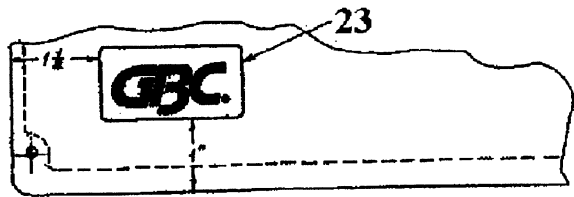
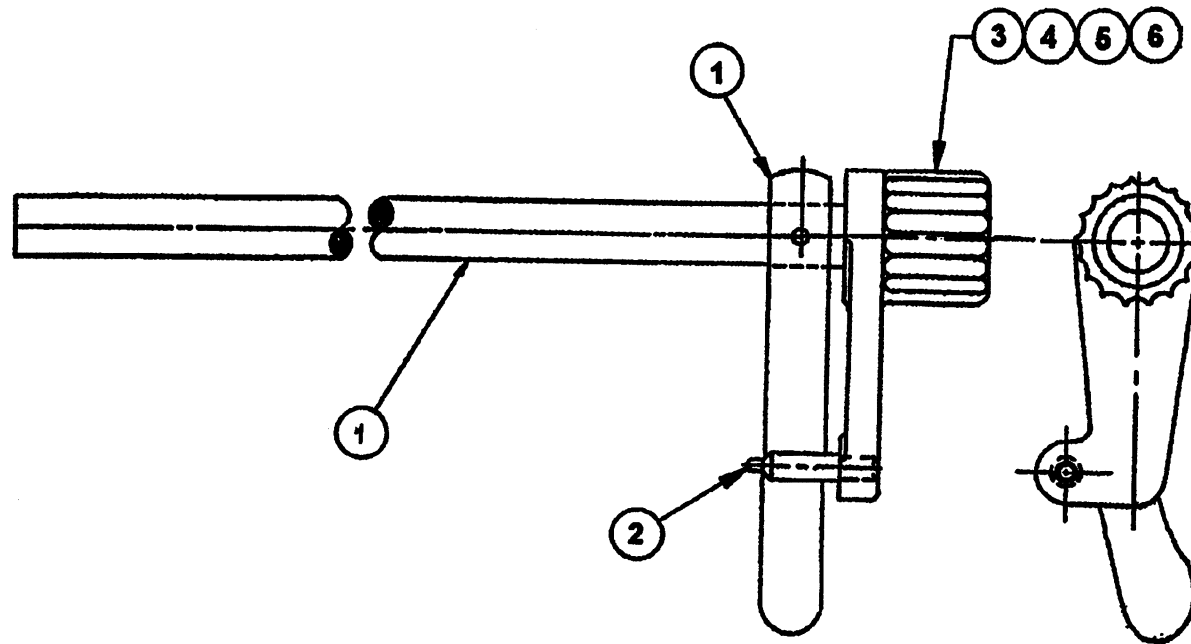


16 DB - 1- 2 PARTS LIST



Top Plate
Connecting Link
Drive Arm
21 Binder Frame Sub-Assembly

ITEM	PART NO.	DESCRIPTION	QTY.
REF	7300251	Drive Arm Assembly (Includes 1-5)	2
1	1131971	Drive Arm	2
2	1927409	Elastic Stop Nut 10-24	2
3	1900003	Set Screw 1/4-20	2
4	1900833	Shoulder Screw 10-24 x 5/8	2
5	1931602	Grip Ring	2
6	1131507	Connecting Link	2
7	7300242	Shaft & Handle Sub-Assembly	1
8	1132389	Slide Bar Assembly	1
9	1929206	Roll Pin	2
10	7300241	Base, Black	1
11	1100425	Bottom Cover	1
12	7500050	Rubber Foot	4
13	1907203	Screw 8-32 x 3/4	4
14	1907201	Screw 8-32 x 3/8	4
15	1925102	Washer	2
16	1100415	Brake Spring	1
17	1931703	Collar	2
18	7300040	Hook Slide	1
19	1100373	Indicator Plate	1
20	1907803	Screw 6-32 x 3/8 Pan Hd.	2
21	1133200	Binder Frame Sub-Assembly	1
22	7300033	Top Cover Plate (White)	1
	7300240	Top Cover Plate (Black)	1
23	6009343	GBC Logo Label	1
24	1927406	8-32 Elastic Stop Nut	4
25	1902818	6-32 x 3/8 Hex Screw	4



ITEM	PART	DESCRIPTION	QTY
1	7300234	Shaft & Handle Assembly (White)	1
	7300242	Shaft & Handle Assembly (Black)	1
2	1100412	Indicator Pin	1
3	1100413	Indicator Knob Spring	1
4	1100414	Indicator Knob Spring Retainer	1
5	1926803	Screw	1
6	7300233	Indicator Knob (White)	1
	7300244	Indicator Knob (Black)	1