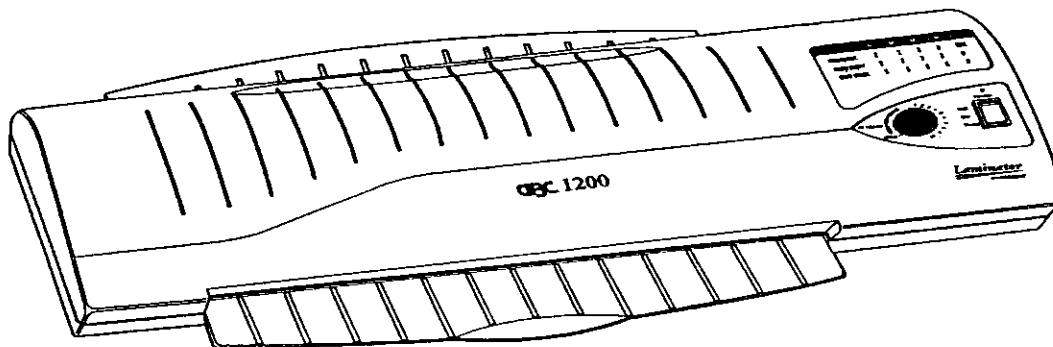


SERVICE MANUAL

GBC.DOCUSEAL. 1200

GBC. 1200

With Ceramic Heaters



GBC General Binding Corporation
Northbrook, IL 60062-4195

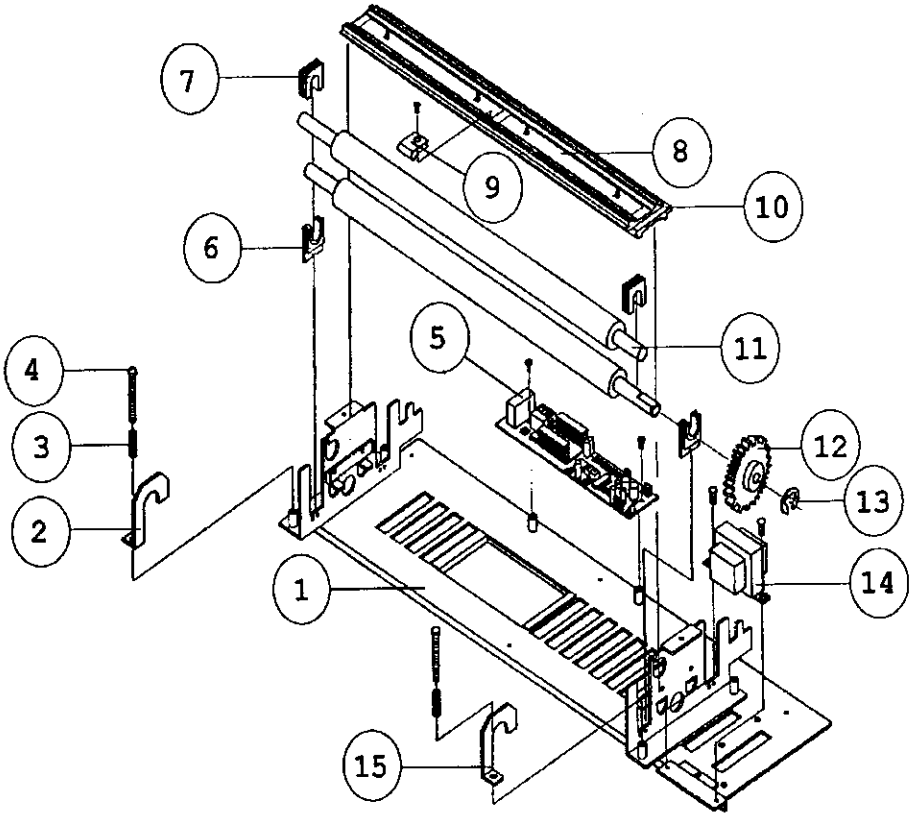
SERVICE MANUAL P/N 1722663

10/16/00

FINAL ASSEMBLY NUMBER

US	1701260
EUROPE	1701261
U.K.	1701262
AUSTRALIA	1701263
SWISS	1701264

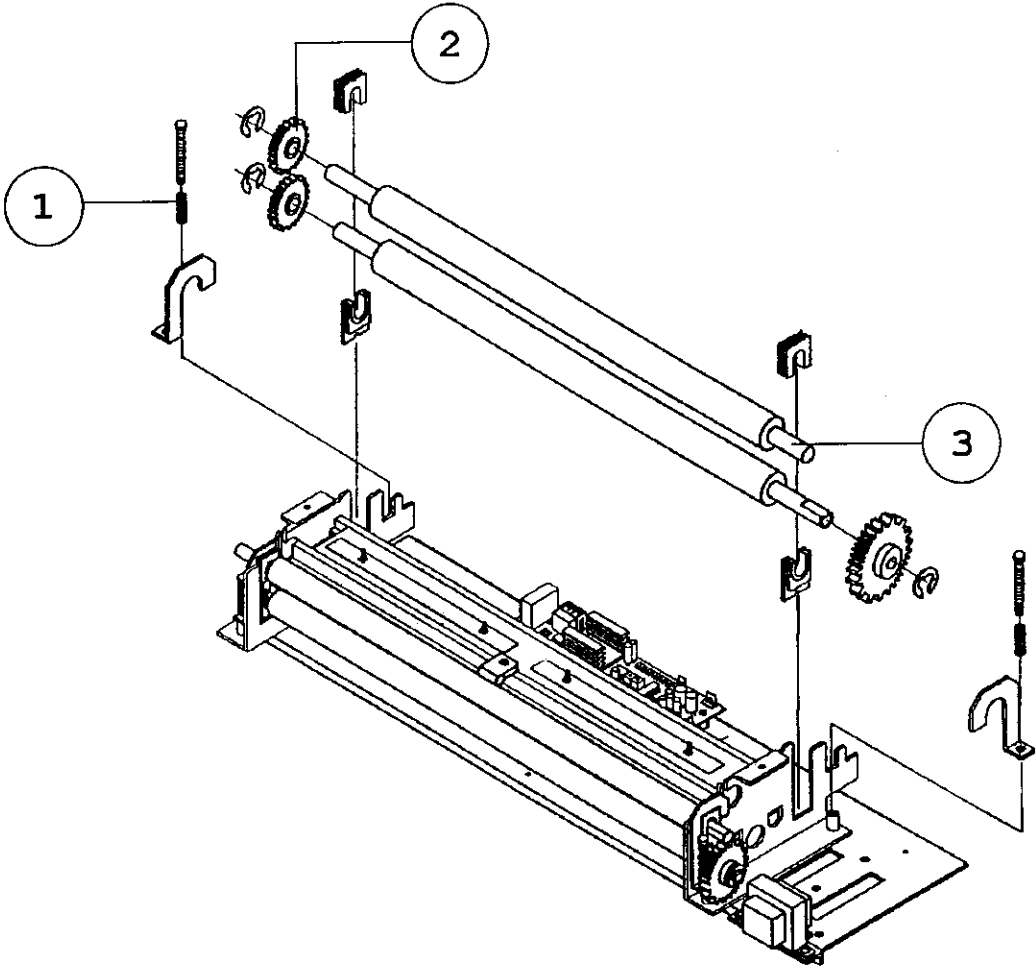
8.0 PARTS
FIGURE 8.1



8.0 PARTS
FIGURE 8.1

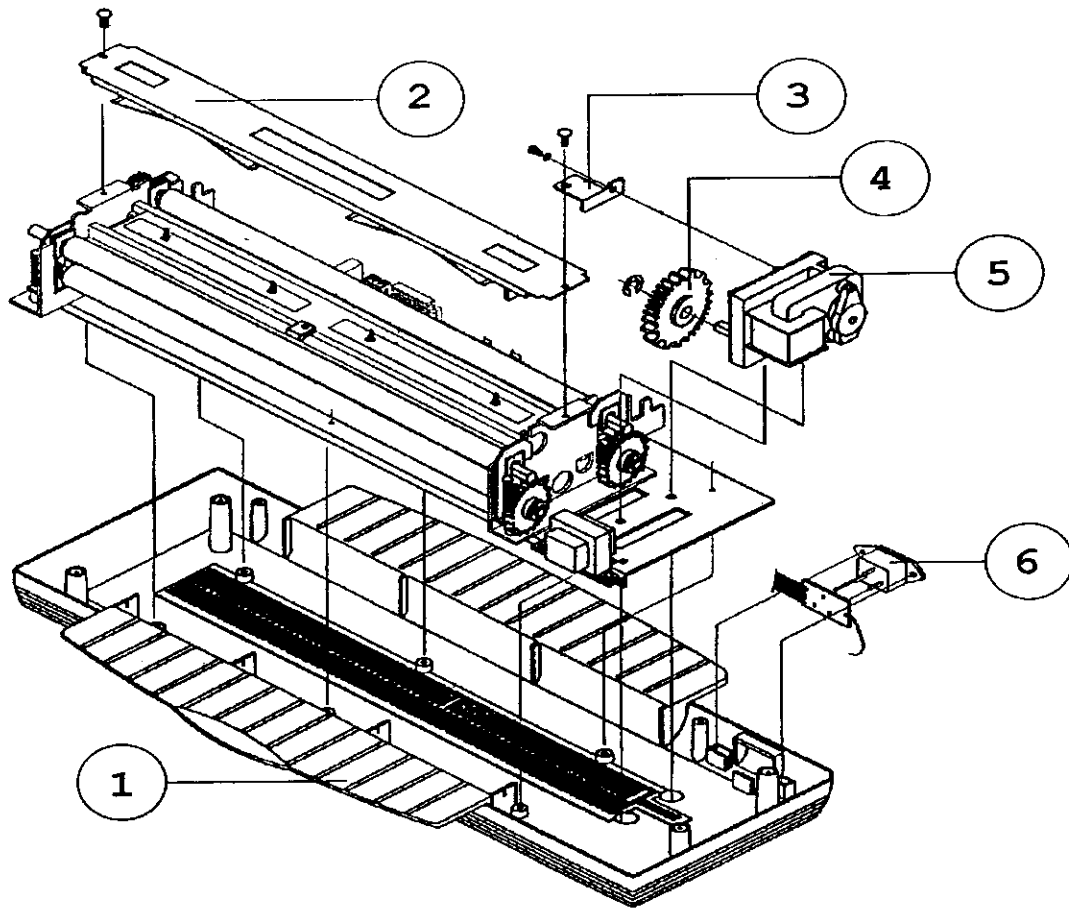
ITEM NO.	PART NO.	DESCRIPTION	QTY.
1	601130911	Bottom Plate	1
2	06011204	Left Roller Support (GMP p/n 6011204)	1
3	701090101	Roller Spring (front)	2
4	701108122	Shoulder Screw	4
5	706010309	Main PCB Ass'y	1
6	703020412	Plastic Roller Bushing (upper)	4
7	703020411	Plastic Roller Bushing (lower)	4
8	706020669	Ceramic Heater Ass'y (upper)	1
9	704160269	TCO	1
10	706020679	Ceramic Heater Ass'y (lower)	1
11	607011003	Front Roller	2
12	703020121	Plastic Spur Gear	2
13	701090605	E-Ring	5
14	610010109	Transformer, 120v	1
14	610010110	Transformer, 230v	1
15	06011205	Right Roller Support (GMP p/n 6011205)	1

8.0 PARTS
FIGURE 8.2



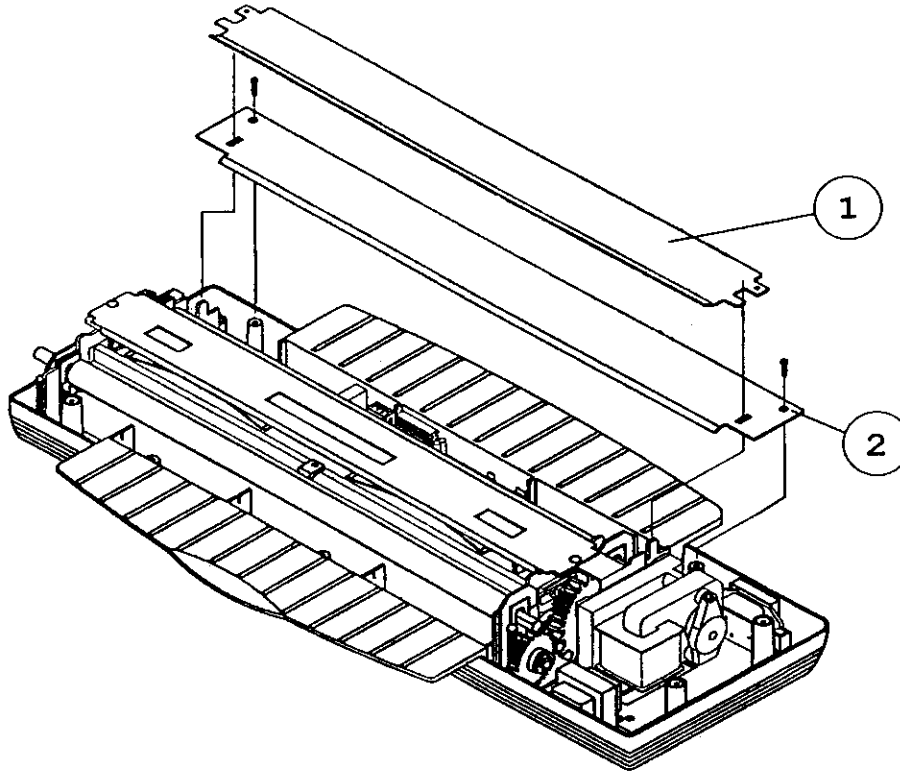
ITEM NO.	PART NO.	DESCRIPTION	QTY.
1	701090102	Roller Spring (rear)	2
2	703020102	Plastic Spur Gear	2
3	607011014	Rear Roller	2

8.0 PARTS
FIGURE 8.3



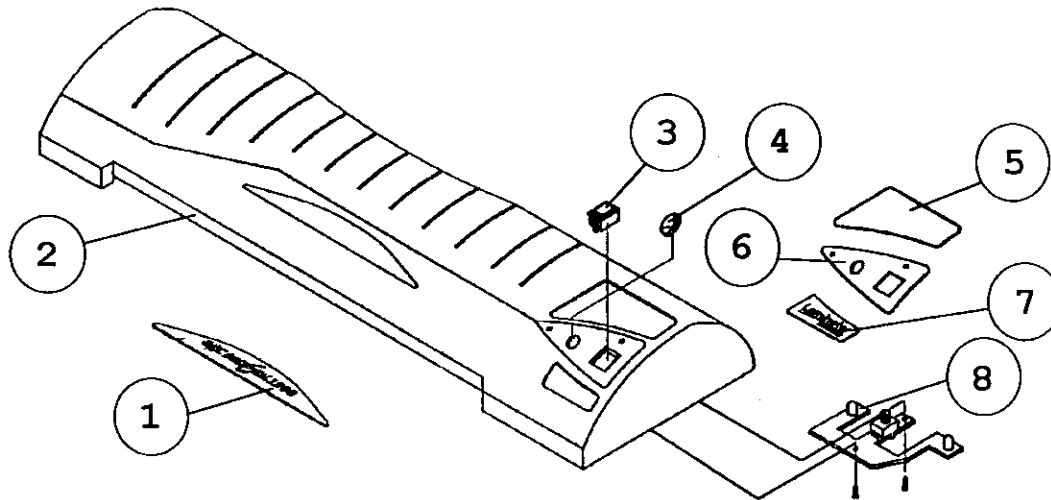
ITEM NO.	PART NO.	DESCRIPTION	QTY.
1	604020209	Lower Housing	1
2	601130923	Heat Insulator	1
3	06011209	Motor Support (GMP p/n 6011209)	1
4	703020131	Plastic Spur Gear	1
5	609010115	AC Geared Motor, 120v	1
5	609010111	AC Geared Motor, 230v	1
6	07060508	Inlet Ass'y (GMP p/n 7060508)	1

8.0 PARTS
FIGURE 8.5



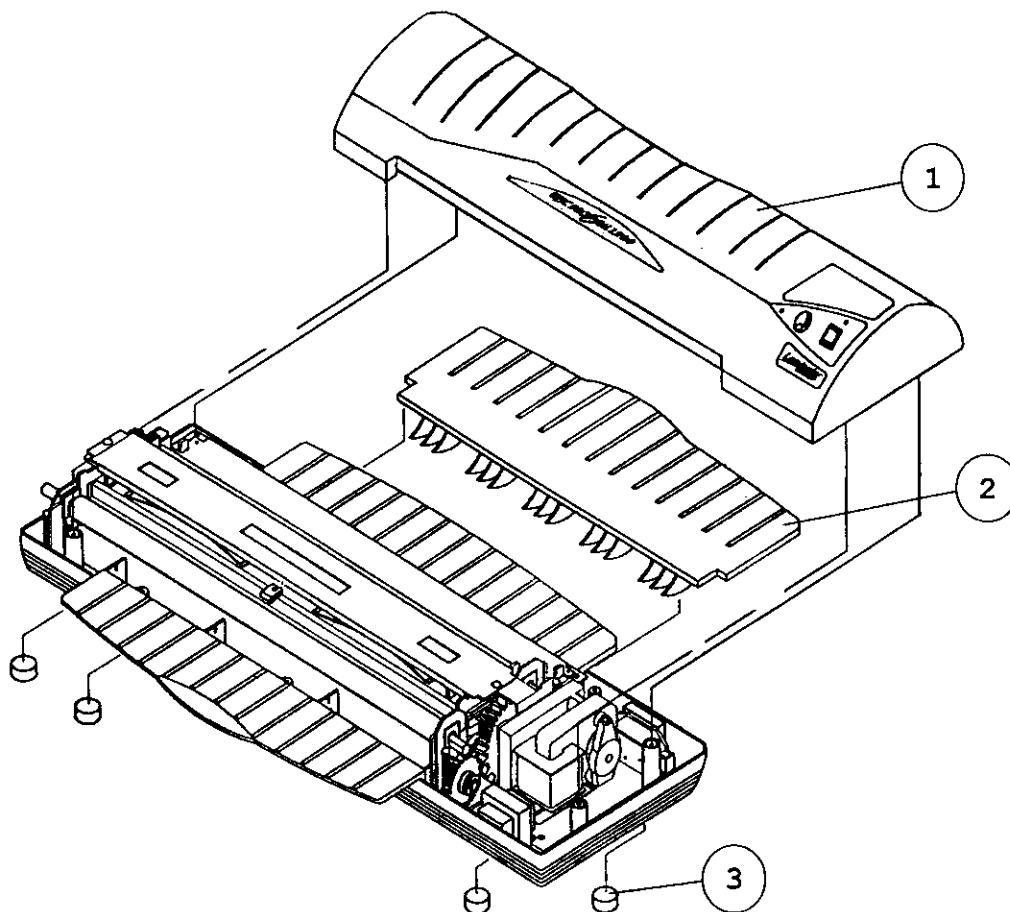
ITEM NO.	PART NO.	DESCRIPTION	QTY.
1	06011222	Exit Plate, Docuseal 1200 (GMP p/n 6011222)	1
2	06011221	Rear Table, Docuseal 1200 (GMP p/n 6011221)	1

8.0 PARTS
FIGURE 8.4



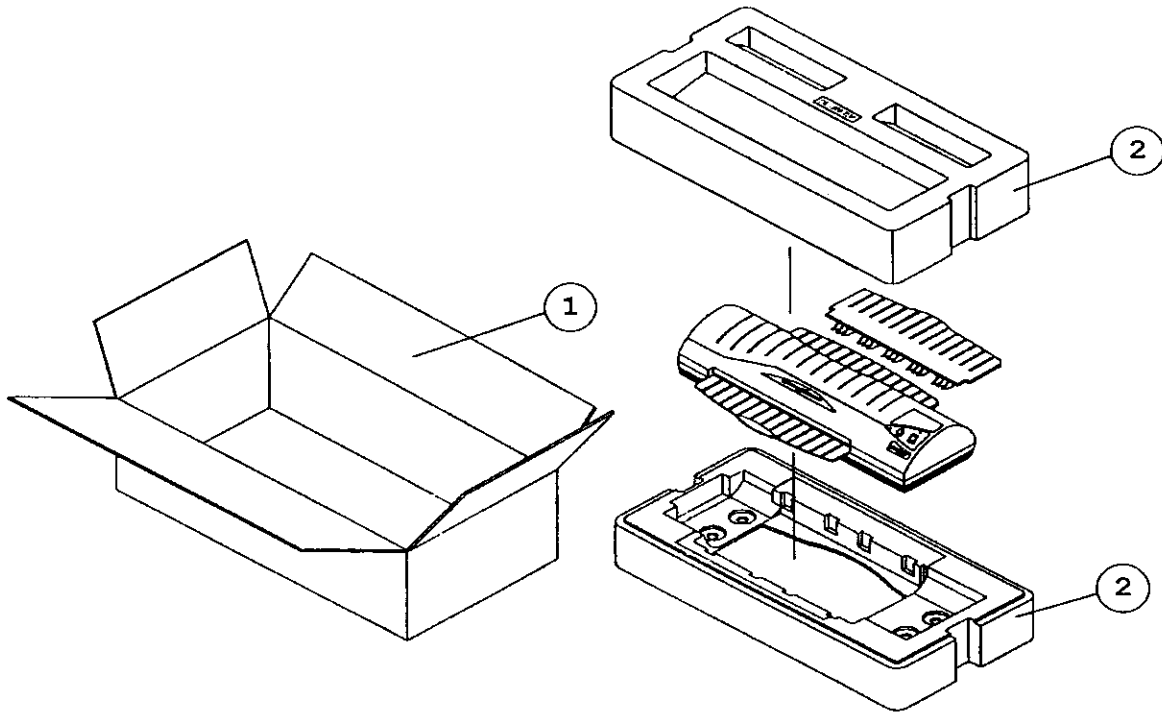
ITEM NO.	PART NO.	DESCRIPTION	QTY.
1	802040315	DS 1200 Nameplate, 120v	1
1	802040308	GBC 1200 Nameplate, 230v	1
2	604020208	Upper Housing	1
3	07060505	Switch Ass'y (GMP p/n 7060505)	1
4	703021006	Plastic Knob	1
5	802202201	Temperature Scale Sticker, 120v	1
5	802202202	Temperature Scale Sticker, 230v	1
6	08021048	Switch Sticker (GMP p/n 8021048)	1
7	803040309	GBC Laminator Sticker	.1
8	07060509	Control PCB Ass'y (GMP p/n 7060509)	1

8.0 PARTS
FIGURE 8.6



ITEM NO.	PART NO.	DESCRIPTION	QTY.
1	604020208	Upper Housing	1
2	604020210	Extension Tray	1
3	703010108	Rubber Foot	4

8.0 PARTS
FIGURE 8.7



ITEM NO.	PART NO.	DESCRIPTION	QTY.
1	801010627	Carton, DS 1200, 120v	1
1	801010633	Carton, GBC 1200, 230v	1
2	801041913	Styrofoam Inserts, DS 1200	1