

450 KM & 450 KM-2

PARTS LIST

450KM, 450KM1, and 450KM2

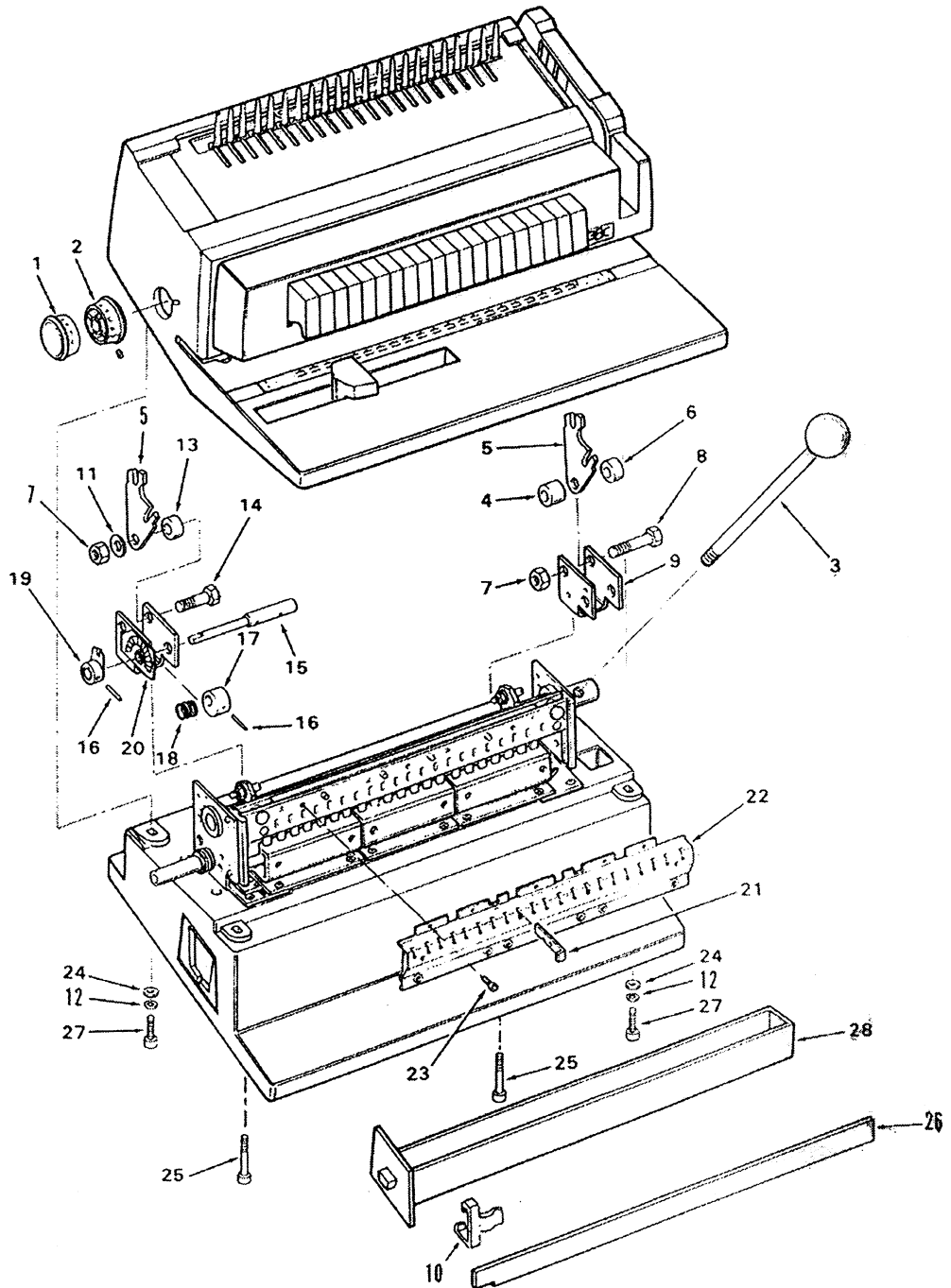


FIGURE 8.1

450KM, 450KM1, and 450KM2

FIGURE 8.1

ITEM	P/N	DESCRIPTION	QUANTITY
1	1136649	Knob, binding cam stop	1
2	1152960	Knob, back gauge adjusting	1
3	1131104	Knob and handle assembly	1
4	1106983	Spacer (OBSOLETE)	1
5	1103412	Yoke	2
6	1106984	Spacer (OBSOLETE)	1
7	1932301	Locknut, 3/8-24	2
8	1951924	Screw, 3/8-24 x 1-3/4"	1
9	1106981	Bearing bracket assembly, RH (OBSOLETE)	1
10	1136668	Spring, chip drawer (OBSOLETE)	1
11	1925113	Washer	1
12	1925806	Washer, internal tooth no. 8	4
13	1136632	Spacer	1
14	1951959	Screw, 3/8-24"	1
15	1106998	Shaft, binding adjusting	1
16	1929203	Pin, spring	2
17	1103410	Cam	1
18	1101430	Spring	1
19	1108798	Index spring assembly (OBSOLETE)	1
20	1136625	Bearing bracket assembly, LH	1
21	1136615	Lever, selector (OBSOLETE)	21
22	1101977	Pressure bar cover assembly	1
23	1907202	Screw, 6-32 x 3/8"	3
24	1925004	Washer, flat no. 8	4
25	1907400	Screw, 10-32 x 1-1/4"	4
26	1136612	Guide, chip tray	1
27	1900553	Screw, 8-32 x 3/4"	4
28	1136646	Tray, chip	1

(OBSOLETE) indicates that this part is no longer available and no other part can be substituted.

450KM, 450KM1, and 450KM2

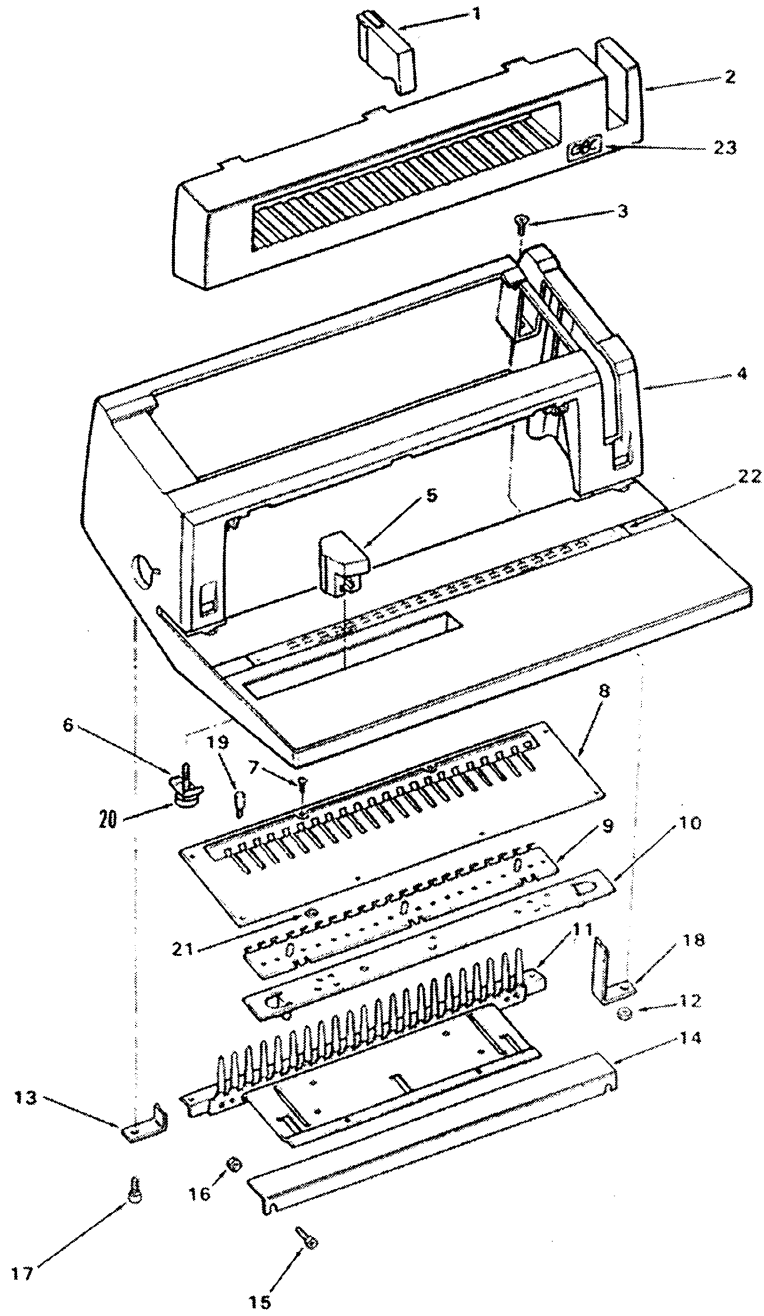


FIGURE 8.2

450KM, 450KM1, and 450KM2

FIGURE 8.2

ITEM	P/N	DESCRIPTION	QUANTITY
1	1136609	Selector, buttons	21
2	1131167	Bezel, front	1
3	1900611	Screw, 8-32 x 1/2"	1
4	1152051	Cover	1
5	1132266	Guide, paper	1
6	1132262	Retainer	1
7	1902915	Screw, 6-32 x 3/8"	2
8	7702731	Plate, top	1
9	1101997	Hook slide	1
10	1119751	Slide bar assembly (YOKE PINS POINT INWARD)	1
	1132389	Slide bar assembly (YOKE PINS POINT OUTWARD)	1
11	1136634	Binder frame subassembly	1
12	1926802	Nut, 8-32	1
13	1136613	Clip, binding head (OBSOLETE)	1
14	1136618	Retainer, binding head	1
15	1907322	Screw, 8-32 x 1/2"	2
16	1926802	Nut, 8-32	2
17	1907321	Screw, 8-32 x 3/8"	1
18	1136614	Clip, binding head	1
19	1131108	Post	2
20	1108751	Knob	1
21	1911107	Washer	2
22	7702726	Scale	1
23	1118909	Plate, logo	1

(OBSOLETE) indicates that this part is no longer available and no other part can be substituted.

450KM, 450KM1, and 450KM2

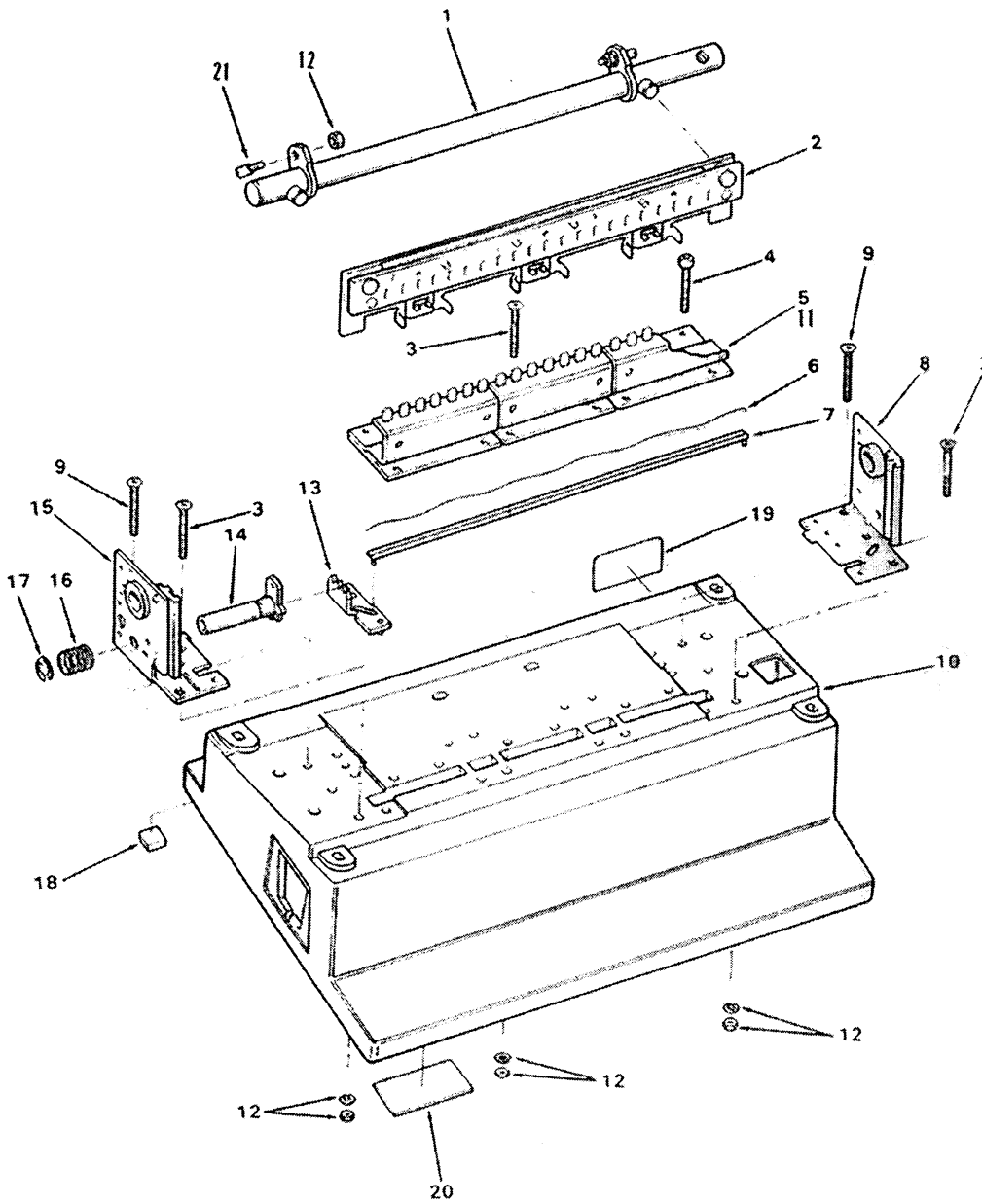


FIGURE 8.3

450KM, 450KM1, and 450KM2

FIGURE 8.3

ITEM	P/N	DESCRIPTION	QUANTITY
1	1152034	<i>Drive shaft assembly</i>	1
2	1136673	Pressure bar assembly	1
3	1900624	Screw, 10-32 x 1-5/8"	8
4	1900550	Screw, 10-32 x 1-5/8"	5
5	1152027	Die assembly	3
6	1101994	Back gauge spring	1
7	1152012	<i>Back gauge bar assembly</i>	1
8	1119759	<i>Mounting bracket assembly, RH (OBSOLETE)</i>	1
9	1900609	Screw, 10-32 x 1-1/2"	2
10	1132204	Base	1
11	N/A		
12	1926822	Nut, 10-32	17
13	1131105	Rack, back gauge adjusting	1
14	1131106	Shaft and pinion assembly	1
15	1128376	<i>Mounting bracket assembly, LH (OBSOLETE)</i>	1
16	1108826	Spring	1
17	1930516	Ring, retaining	1
18	1136626	Foot	4
19	N/A		
20	1129123	Label, patent	1
21	1103454	<i>Pin (OBSOLETE)</i>	2

(OBSOLETE) indicates that this part is no longer available and no other part can be substituted.