

75X EXPLODED VIEW

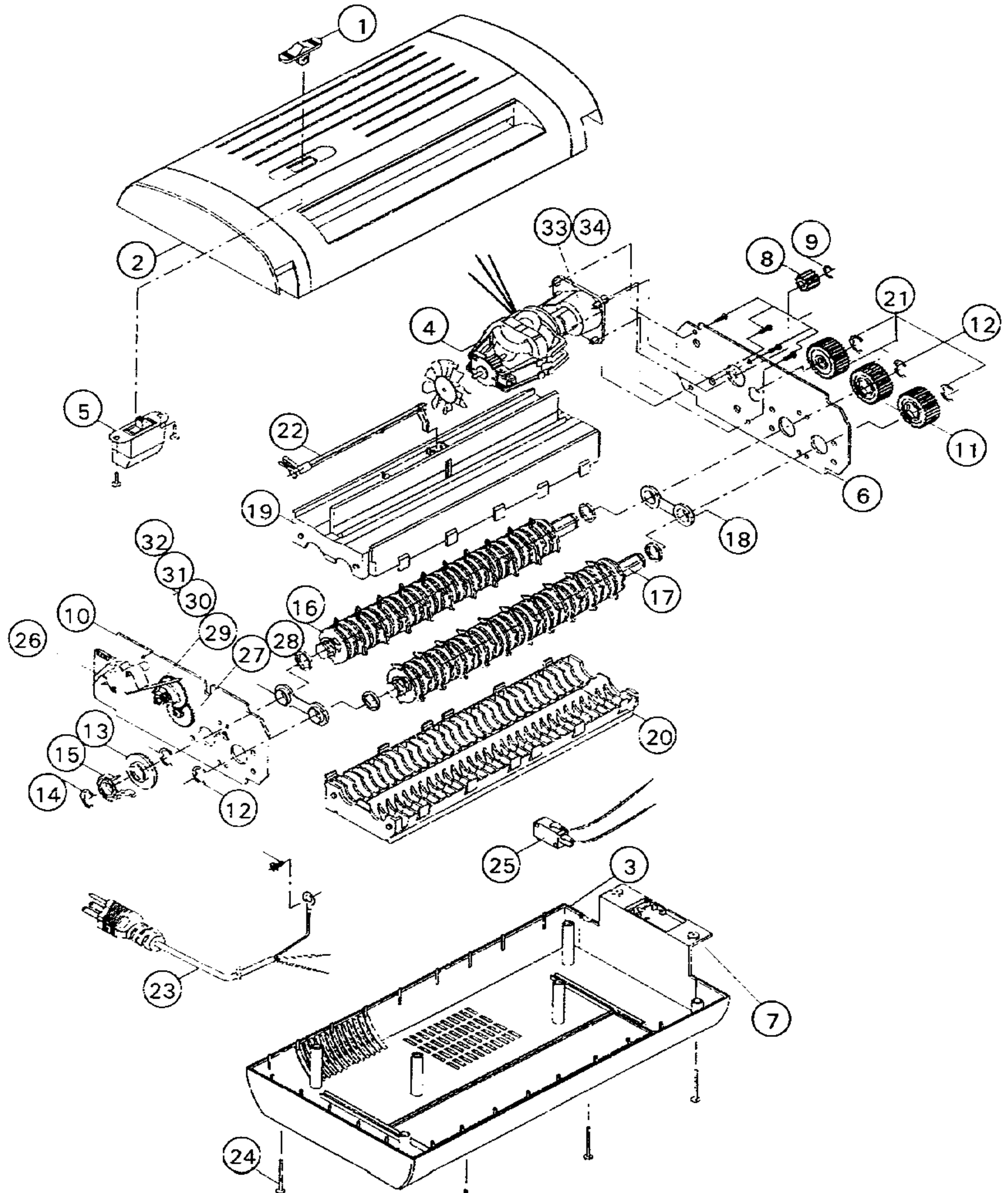


FIGURE 8.1

75X PARTS LIST

ITEM	PART No.	DESCRIPTION	QTY
1	1750306	SWITCH KNOB	1
2	1750326	TOP COVER	1
3	1750325	BOTTOM COVER	1
4	1750286	MOTOR (115V)	1
4	1750274	MOTOR (230V)	1
5	6202036	SLIDE SWITCH ASSEMBLY	1
6	1750304	SHAFT BRACKET (A)	1
7	1750337	SCREW #3 X 10	2
8	1750118	SPUR GEAR 13T	1
9	1750127	#12 E-RING	4
10	1750277	BRACKET (B)	1
11	1750123	GEAR 27T	2
12	1750295	#7 E-RING	1
13	6180021	AUTO GEAR 32T	1
14	1750298	#9 E-RING	1
15	1750414	REVERSE CAM	1
16	1750284	CROSS CUTTER (A) ASSY	1
17	1750285	CROSS CUTTER (B) ASSY	1
18	1750512	BUSHING	2
19	1750317	PAPER GUIDE (A)	1
20	1750319	PAPER GUIDE (B)	1
21	1750267	IDLER GEAR	1
22	1750313	AUTO PARTS	1
23	1750289	POWER CORD (U.S.)	1
23	1750269	POWER CORD (AUSTRALIA)	1
23	1750282	POWER CORD (EUROPE)	1
24	1750332	SCREW #3 X 15 TAP	6
25	1750275	SAFETY SWITCH	1
25	1750343	SAFETY SWITCH (EUROPE)	1
26	1750294	CAM MICRO SWITCH	1
27	1750308	GEAR (A)	1
28	1750296	#1.5 E-RING	2
29	1750309	GEAR (B)	1
30	1750314	CAM	1
31	1750305	#6 SPRING	1
32	1750297	#4 "CS"	1
33	1750344	GEAR SHAFT (A) ASSY (MOTOR OUTPUT SHAFT ASSY)	1
34	1750346	GEAR SHAFT (B) ASSY	1
*	1750345	EMI CIRCUIT BOARD 230V, 240V UNITS ONLY	1
*	6009146	DOMESTIC CAUTION LABEL	1
*	6009147	EUROPEAN CAUTION LABEL (1)	1
*	1750152	BASKET	1

(1) When ordering the European Caution Label, the Domestic Label must be ordered also.

* (NOT SHOWN)

75X ELECTRICAL SCHEMATIC

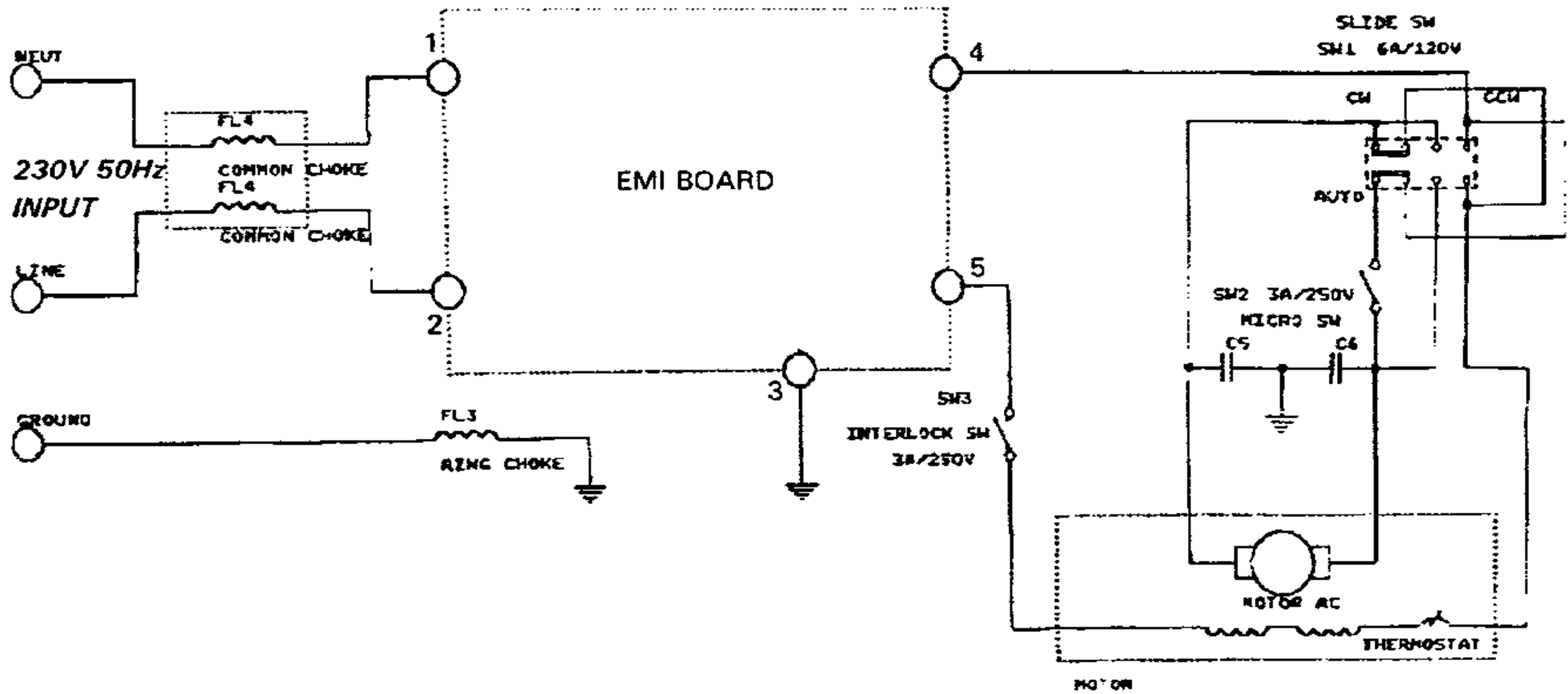
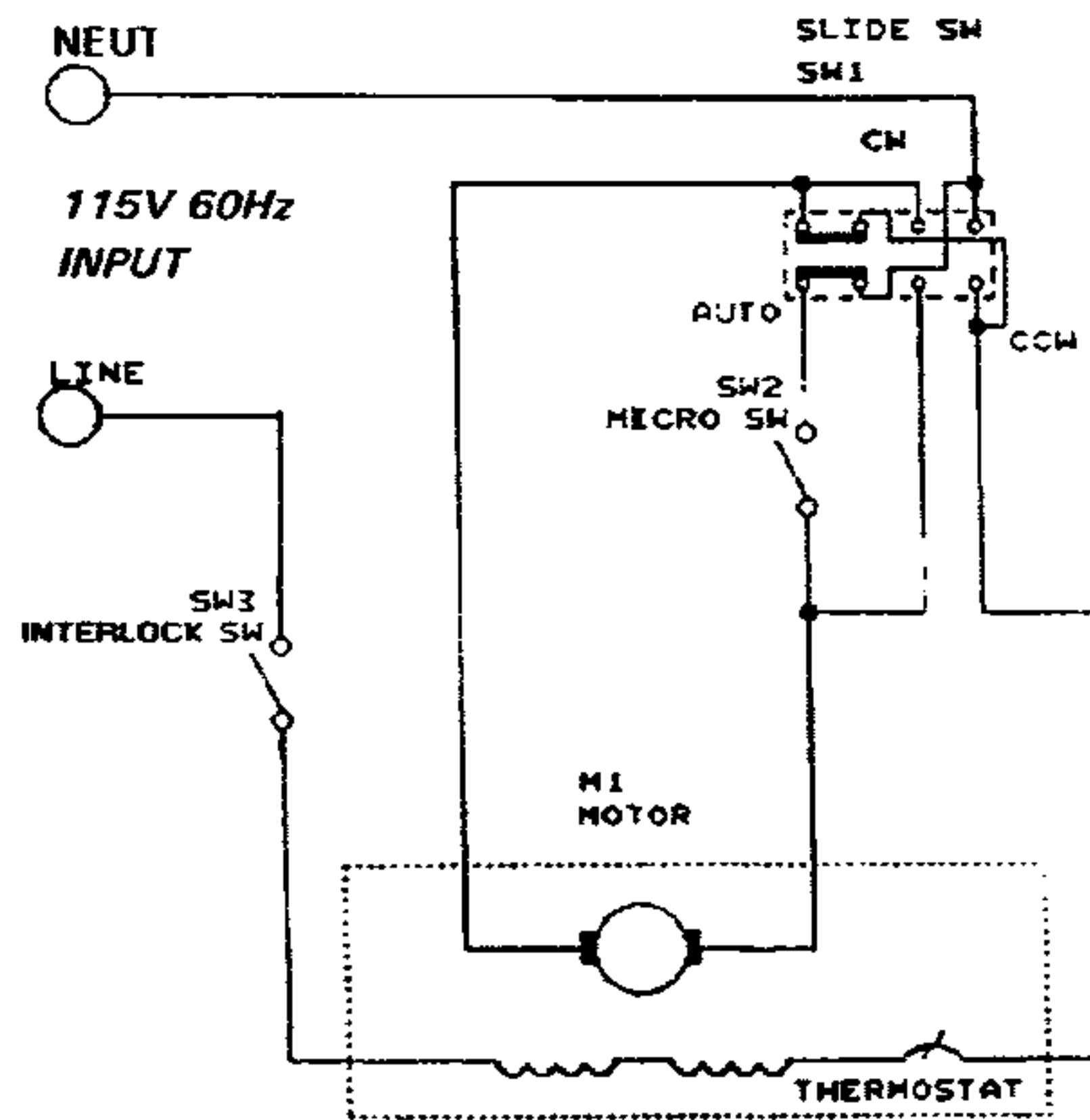


FIGURE 8.1