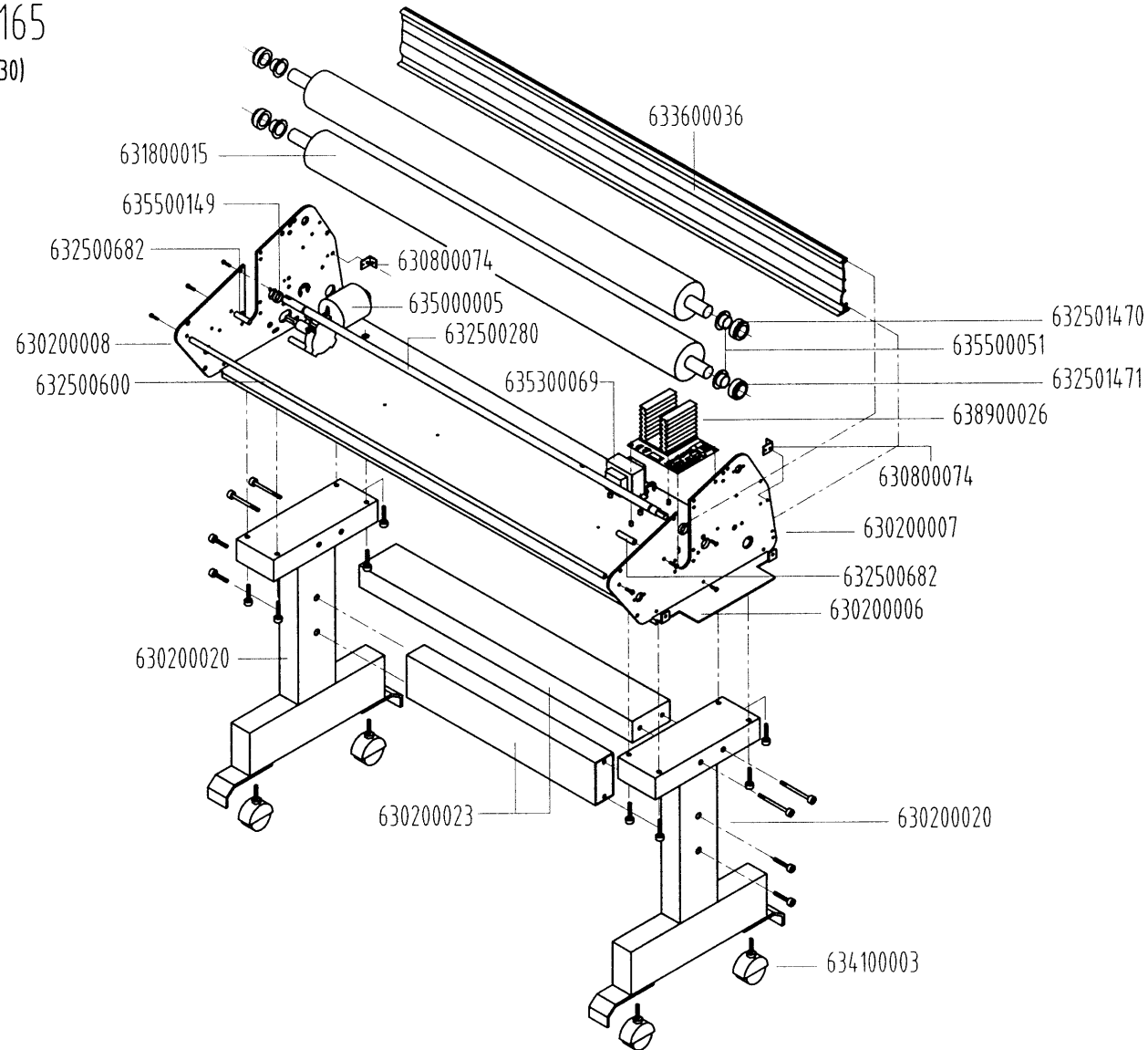



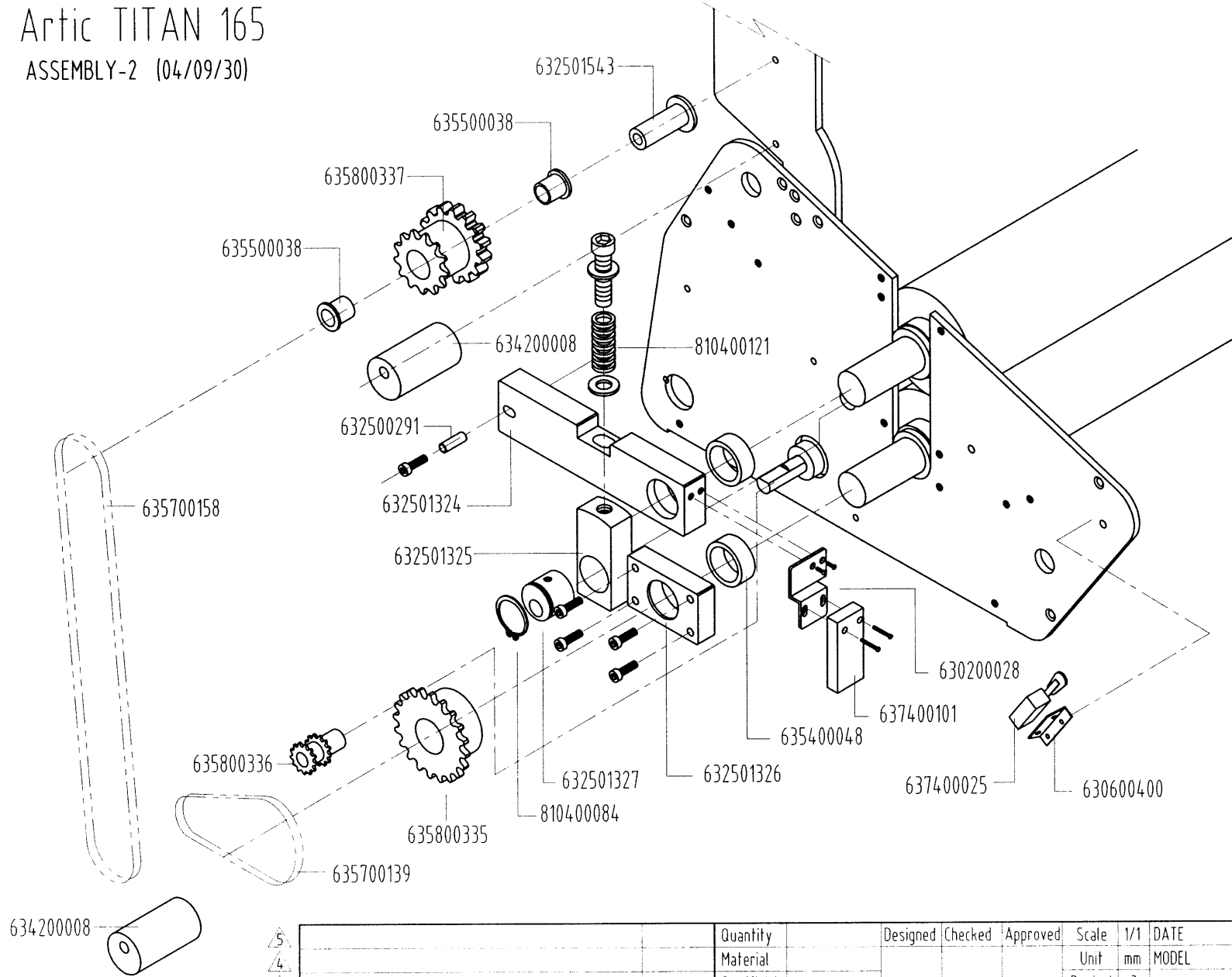
Model : Artic TITAN 165

ASSEMBLY-1 (04/09/30)



5 4 3 2 1		Quantity	Designed	Checked	Approved	Scale	1/1	DATE	1998. 10. 8
		Material				Unit	mm	MODEL	ARTIC TITAN 165
		Sur/finish				Project	3	PART NAME	ASSEMBLY-1
		Tolerance						DRAWING No	AT16E011
		Chamfer						PART CODE	
	REVISION	DATE				 GMP CO., LTD			

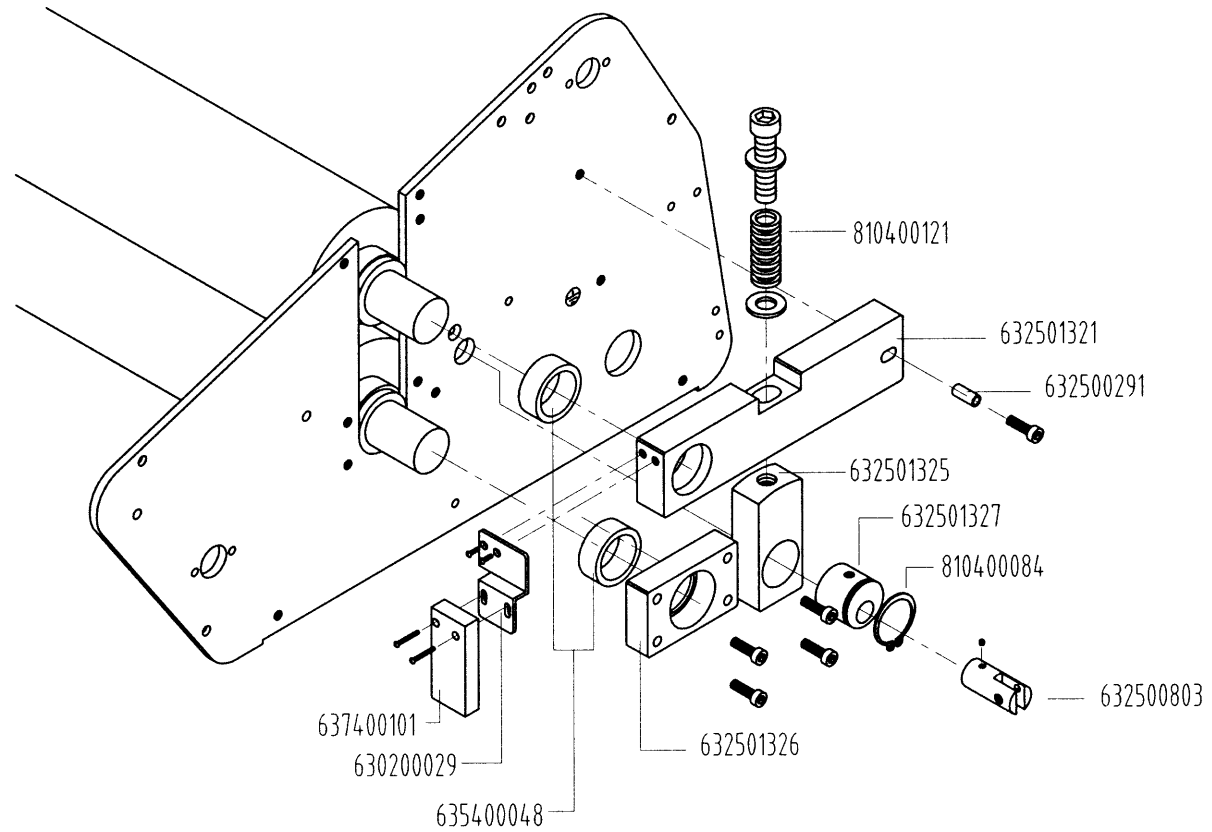
Model : Artic TITAN 165
ASSEMBLY-2 (04/09/30)



5	Quantity	Designed	Checked	Approved	Scale	1/1	DATE	1998. 10. 8
4	Material				Unit	mm	MODEL	ARTIC TITAN 165
3	Sur/finish				Project	3	PART NAME	ASSEMBLY-2
2	Tolerance						DRAWING No.	AT16E021
1	Chamfer						PART CODE	
	Round							
	REVISION							
	DATE							



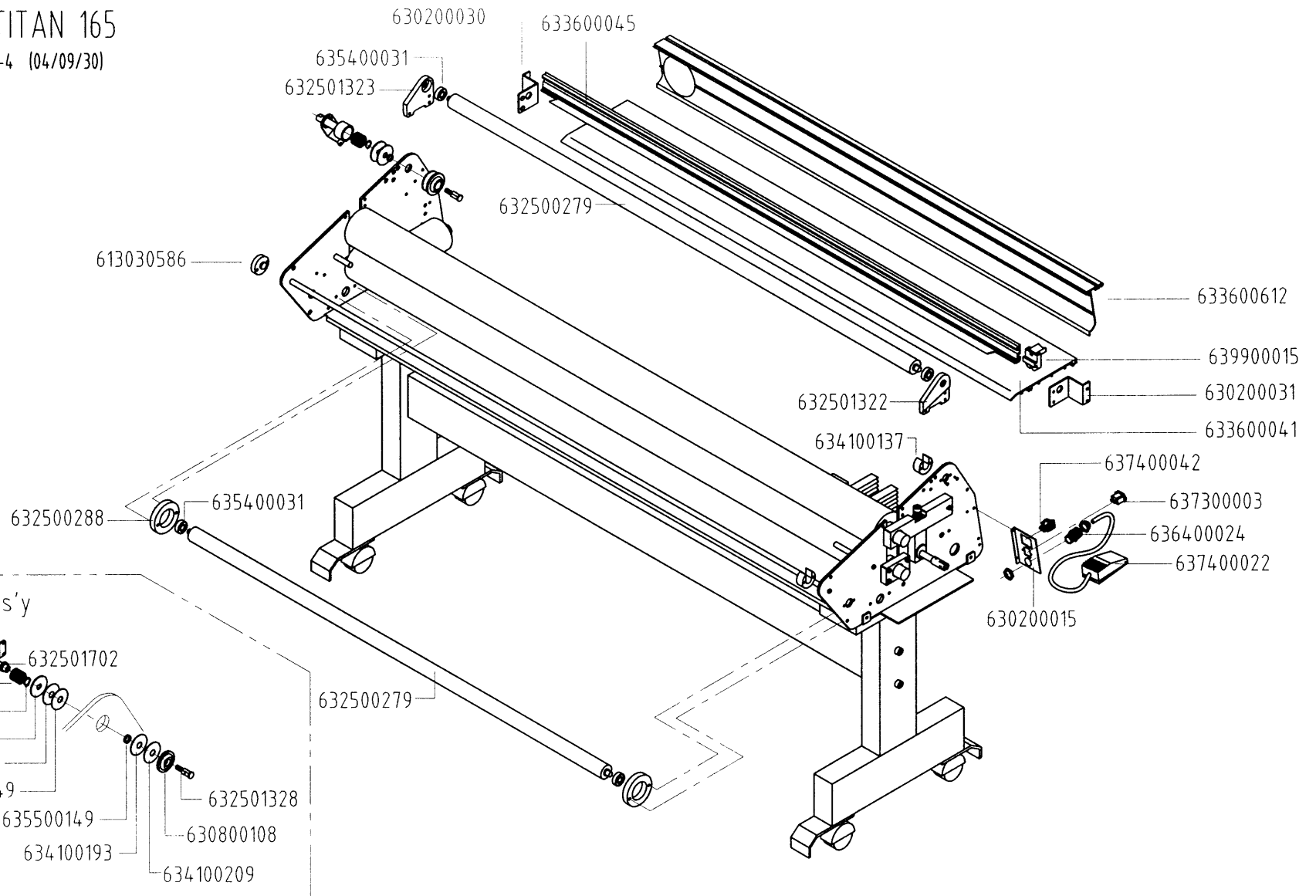
Model : Artic TITAN 165
 ASSEMBLY-3 (04/09/30)



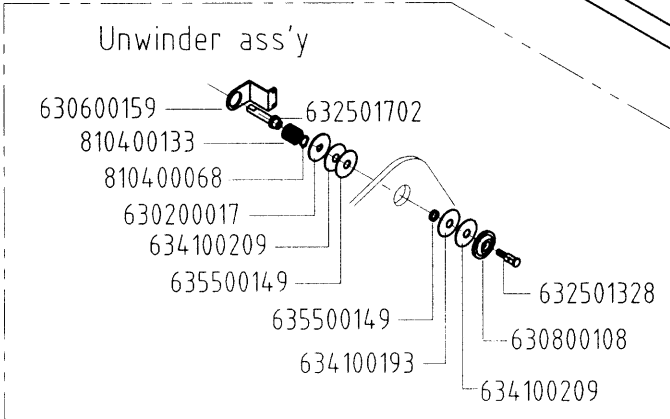
6		Quantity	Designed	Checked	Approved	Scale	1/1	DATE	1998. 10. 8
4		Material				Unit	mm	MODEL	ARTIC TITAN 165
3		Sur/finish				Project	3	PART NAME	ASSEMBLY-3
2		Tolerance						DRAWING No	AT16E031
1		Chamfer						PART CODE	
		Round							
		REVISION							
		DATE							



Model : Artic TITAN 165
ASSEMBLY-4 (04/09/30)



Unwinder ass'y



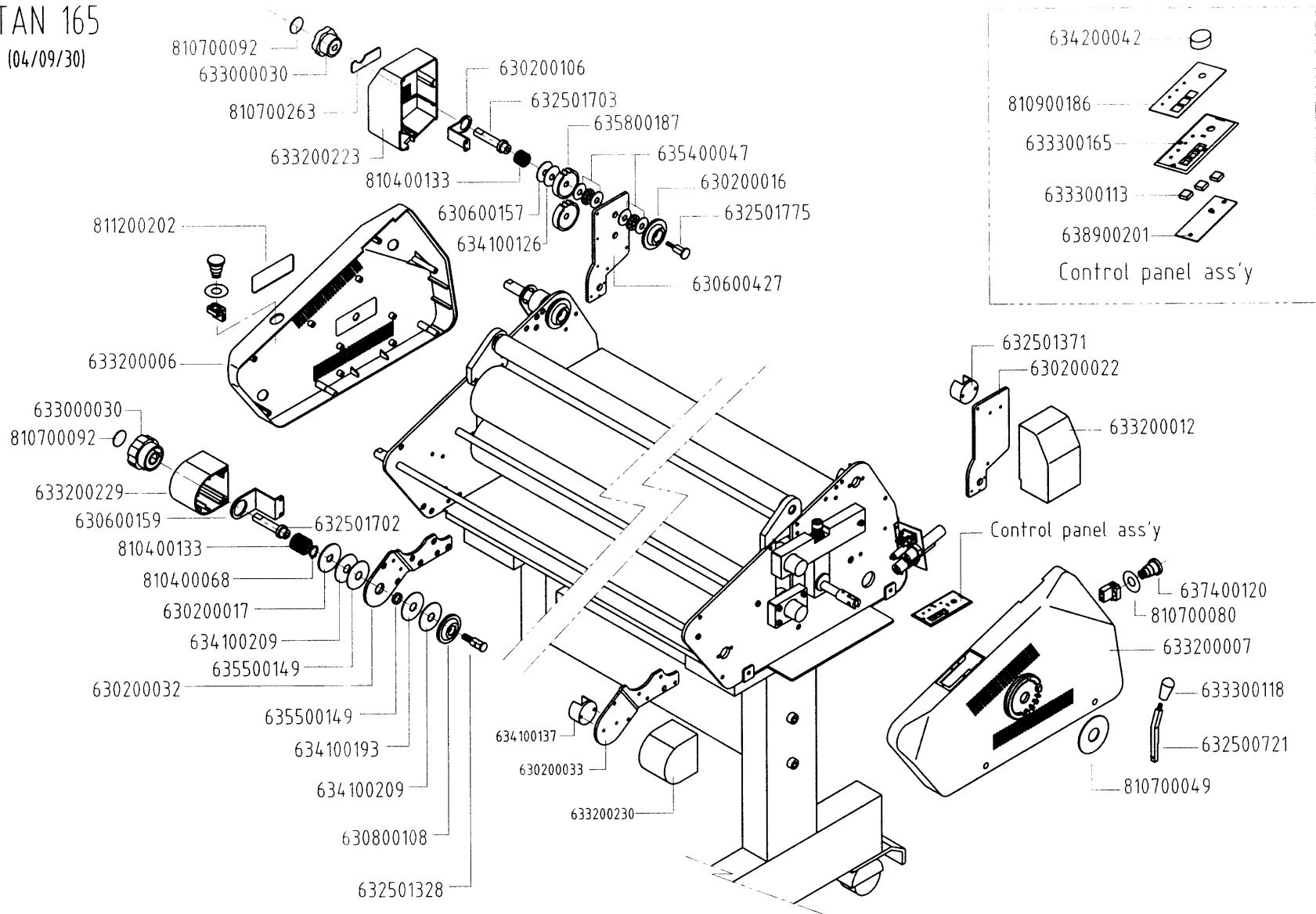
- 5
- 4
- 3
- 2
- 1

REVISION	DATE

Quantity	Designed	Checked	Approved	Scale	1/1	DATE
				Unit	mm	1998. 10. 8
				Project	3	MODEL
						PART NAME
						DRAWING No.
						PART CODE



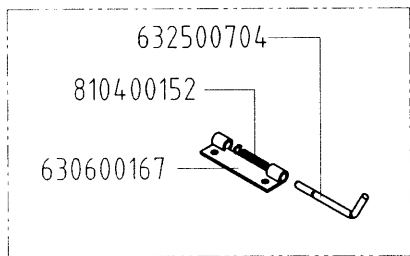
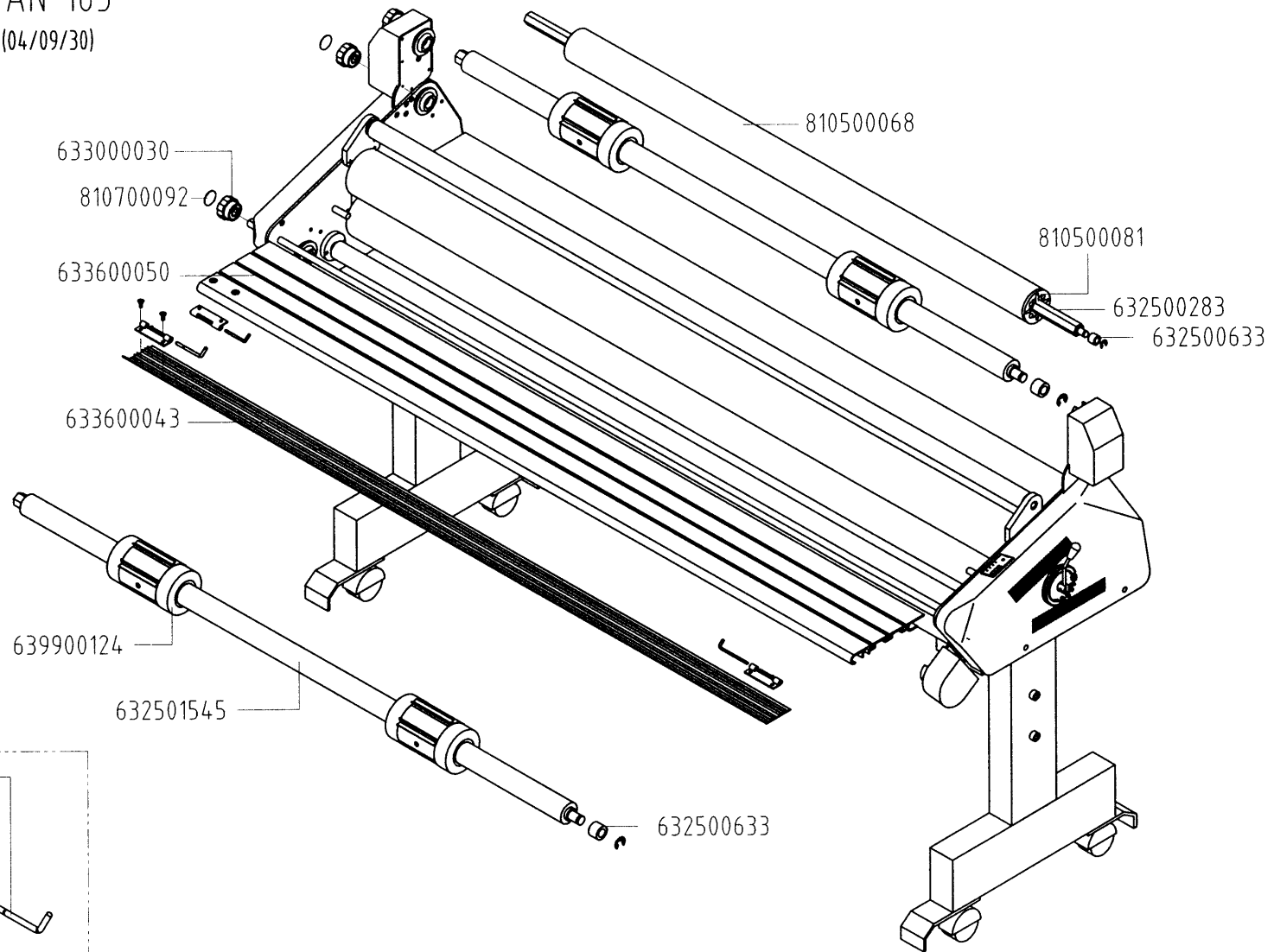
Model : Artic TITAN 165
ASSEMBLY-5 (04/09/30)



5		Quantity		Designed	Checked	Approved	Scale	1/1	DATE	1998. 10. 8
4		Material					Unit	mm	MODEL	ARTIC TITAN 165
3		Sur/finish					Project	3	PART NAME	ASSEMBLY-5
2		Tolerance							DRAWING No	AT16E051
1		Chamfer							PART CODE	
		Round								
		REVISION								
		DATE								

GMP GMP CO., LTD

Model : Artic TITAN 165
ASSEMBLY-6 (04/09/30)



5		Quantity	Designed	Checked	Approved	Scale	1/1	DATE	1998. 10. 8
4		Material				Unit	mm	MODEL	ARTIC TITAN 165
3		Sur/finish				Project	3	PART NAME	ASSEMBLY-6
2		Tolerance						DRAWING No.	AT16E061
1		Chamfer						PART CODE	
		Round							
		REVISION							
		DATE							

