

## CATENA 105

| DWG # | Code No.  | Item Description             |
|-------|-----------|------------------------------|
| 8     | 601211157 | Cover Support                |
| 3, 4  | 601230521 | Infrared Heater Support      |
| 3, 4  | 601230525 | Nip Roller Hook              |
| 4     | 601230531 | Eccentric Hook (Left)        |
| 3     | 601230532 | Eccentric Hook (Right)       |
| 3, 4  | 601230536 | Pull Roller Hook             |
| 4, 11 | 601230702 | Inner Tension Panel          |
| 4     | 601230708 | Tension Block Stopper        |
| 10    | 601230763 | SPARTAN STAND CONNECTOR      |
| 10    | 601230764 | Stand Rod (Right)            |
| 10    | 601230768 | Stand Rod (Left)             |
| 3     | 601230802 | Film Shaft Support Panel     |
| 7     | 601230814 | Lever Fixing Panel           |
| 11    | 601230819 | Rewinder Motor Support       |
| 11    | 601230834 | Spring Cap                   |
| 7     | 601250171 | Magnetic Bracket (Right)     |
| 7     | 601250172 | Magnetic Bracket (Left)      |
| 7     | 601250173 | Roller Cover Block           |
| 7     | 601250177 | Roller Cover Bracket (Front) |
| 1     | 601250183 | PCB Support                  |
| 3, 4  | 601250203 | Heat Roller Support          |
| 3, 4  | 601250204 | Pull Roller Support          |
| 7     | 601250205 | Power Panel                  |
| 4     | 601250207 | J-Channel Cover (Left)       |
| 3     | 601250208 | J-Channel Cover (Right)      |
| 1     | 601250209 | Extension Plate (Right)      |
| 1     | 601250210 | Extension Plate (Left)       |
| 8     | 601250223 | Side Cover Cap (Left)        |
| 8     | 601250224 | Side Cover Cap (Right)       |
| 1     | 601250231 | Bottom Plate                 |
| 7     | 601250232 | Roller Cover                 |
| 1     | 601250233 | Side Plate (Left)            |
| 1     | 601250234 | Side Plate (Right)           |
| 4, 11 | 601250235 | Outer Tension Plate          |
| 2     | 601250241 | Infrared Sensor Bracket      |
| 7     | 601250242 | PCB Cover Rear Bracket       |
| 11    | 601250243 | Rewinder Support (Left)      |
| 11    | 601250244 | Rewinder Support (Right)     |
| 2     | 601310508 | Micro-Switch Support         |
| 9     | 604022150 | Side Cover (Right)           |
| 7     | 604022031 | Paper Guide                  |
| 7     | 604022032 | Paper Guide Knob             |
| 9     | 604022151 | Side Cover (Left)            |
| 4     | 604022152 | Tension Knob                 |
| 11    | 604022153 | Rewinder Cover (Left)        |
| 11    | 604022154 | Rewinder Cover (Right)       |

## CATENA 105

| DWG #    | Code No.  | Item Description                   |
|----------|-----------|------------------------------------|
| 9        | 604022155 | Extension Cover (Right)            |
| 9        | 604022156 | Extension Cover (Left)             |
| 2        | 604036221 | Front Cover                        |
| 8        | 604036222 | Rear Cover                         |
| 8        | 604036223 | Blade Rail                         |
| 7        | 604036224 | Roller Cover Cap                   |
| 7        | 604036225 | Front Table                        |
| 8        | 604036226 | Rear Table                         |
| 7, 8     | 604037022 | 2 In. Core Bushing                 |
| 7        | 604620102 | Metal Magnet                       |
| 5        | 607040504 | Pull Roller                        |
| 5        | 607040514 | Heat Roller                        |
| 11       | 609010116 | Rewinder Motor                     |
| 1        | 6090202   | DC Geared Motor                    |
| 1        | 609070103 | Cross Fan motor (Left)             |
| 1        | 609070104 | Cross Fan Motor (Right)            |
| 1        | 610010207 | Transformer                        |
| 6        | 613010414 | Clutch Shaft                       |
| 2        | 613011011 | Eccentric Bushing                  |
| 2        | 613011012 | Eccentric Lever                    |
| 2        | 613030131 | Front Tray Support Rod             |
| 1        | 613030178 | Idler Bar                          |
| 7, 8, 11 | 613030205 | Hex Film shaft                     |
| 7, 11    | 613030301 | Film Shaft Bushing                 |
| 5        | 613030304 | Heat Roller Bushing                |
| 5        | 613030305 | Pull Roller Bushing                |
| 2        | 613030405 | Eccentric Shaft                    |
| 2        | 613030421 | Eccentric Shaft Cap                |
| 4        | 613030422 | Tension Adjust Block               |
| 6        | 613030423 | Idler Gear Boss                    |
| 6        | 613030526 | Spacer Washer                      |
| 7, 8     | 613030527 | Core Bushing Bolt                  |
| 4        | 613030537 | Film Tension Bolt                  |
| 1        | 613030540 | Auxiliary Gear Support Pin         |
| 11       | 613030552 | Rewinder Tension Bolt              |
| 7        | 613030613 | Front Tray Safety Lever            |
| 6        | 6130452   | Gear Bushing                       |
| 6        | 701010103 | Ball Bearing, 6803                 |
| 6        | 701020203 | Thrust Needle Roller Bearing, 1730 |
| 11       | 701020205 | Thrust Needle Roller Bearing, 1226 |
| 2        | 701020210 | Needle Roller Bearing, 4903        |
| 1, 5     | 701050239 | Flange Bushing, 10x15              |
| 5        | 701050265 | Flange Bushing, 30x15              |
| 6        | 701060207 | Oiless Flange Bushing              |
| 6        | 701070129 | Clutch Chain, 29 pc                |
| 6        | 701070135 | Roller Chain, 35 pc                |

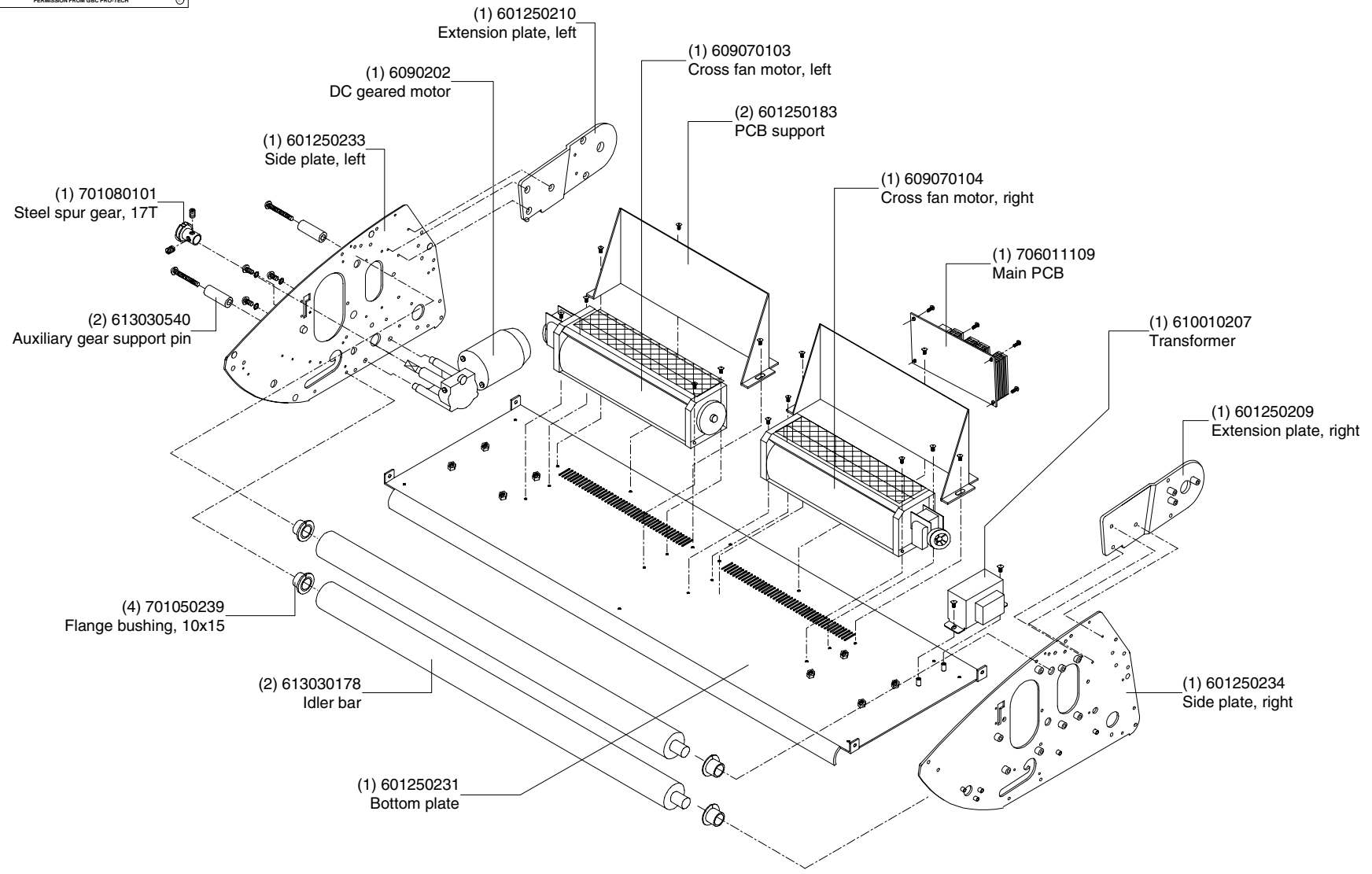
## CATENA 105

| DWG # | Code No.  | Item Description                 |
|-------|-----------|----------------------------------|
| 1     | 701080101 | Steel Spur Gear, 17T             |
| 6     | 701080230 | Steel Chain Gear, 19T            |
| 6     | 701080232 | Steel Chain Gear, 20T            |
| 6     | 701080271 | Steel Chain Gear, 28T            |
| 6     | 701080337 | Steel Spur + Chain Gear, 43T+12T |
| 3, 4  | 701090103 | Roller Spring                    |
| 4, 11 | 701090142 | Film Pipe Spring                 |
| 3     | 701090158 | Compressed Coil Spring           |
| 7     | 701090160 | Front Tray Coil Spring           |
| 6     | 701090508 | Flat Tension Spring              |
| 7     | 701090606 | Snap Ring, 7                     |
| 4     | 701090706 | Snap Ring, 12                    |
| 3, 4  | 701090710 | Snap Ring, 16                    |
| 2     | 701090714 | Snap Ring, 22                    |
| 3, 4  | 701090716 | Snap Ring, 40                    |
| 11    | 701110105 | Nut, M8                          |
| 6     | 701110147 | Stopper Nut, M10                 |
| 10    | 701130502 | Castor, 10mm                     |
| 2     | 703010211 | Wire Protection Ring             |
| 3, 4  | 703010332 | Holder                           |
| 11    | 703020126 | Plastic Spur Gear, 36T           |
| 11    | 703020143 | Plastic Spur Gear, 57T           |
| 9     | 703020248 | Switch Panel                     |
| 9     | 703020551 | Key, UP/ DOWN                    |
| 9     | 703020553 | Key, STOP                        |
| 9     | 703020554 | Key, RUN/ REVERSE                |
| 9     | 703020556 | Key, MEASURE                     |
| 9     | 703020557 | Key, HOT/ COLD                   |
| 2     | 703021051 | Eccentric Lever Handle           |
| 4, 11 | 703070101 | Friction Plate, Leather          |
| 6     | 703070106 | Clutch Friction Plate, Urethane  |
| 11    | 703070116 | Rewinder "U" Channel Stopper     |
| 7     | 704031123 | Cord Plug, 250/1.25/13           |
| 7     | 704090102 | Power Switch                     |
| 11    | 704090111 | Rewinder Switch                  |
| 2     | 704090411 | Micro-Switch, 2                  |
| 7     | 704090423 | Micro-Switch, 3                  |
| 7     | 704091046 | Circuit Breaker                  |
| 7     | 704140403 | Cord Stopper                     |
| 3     | 704150103 | Bi-Metal Thermostat              |
| 2     | 705200201 | Infrared Sensor                  |
| 1     | 706011109 | Main PCB                         |
| 9     | 706011110 | Display PCB                      |
| 5     | 706025064 | Infrared Heater Assembly         |
| 8     | 706111049 | Back Trimmer Assembly            |
| -     | 930084    | Operation Manual                 |

## CATENA 105

| DWG #       | Code No.  | Item Description                        |
|-------------|-----------|---|
| 9           | 802040338 | Catena 105 Sticker                      |
| 9           | 802105046 | Control Panel Sticker                   |
| -           | 803030273 | Specification Sticker                   |
| -           | 803040316 | Power Sticker                           |
| -           | 803040323 | Shaock Hazard Warning Sticker           |
| -           | 803040325 | Sharp Blade Warning Sticker             |
| -           | 803040326 | Pull Roller Warning Sticker             |
| -           | 803040327 | Heat Roller Pinch Point Warning Sticker |
| -           | 803040329 | Do Not Operate Warning Sticker          |
| 9           | 803040353 | Tension Sticker                         |
| 4           | 803040421 | Unwind Tension Sticker                  |
| 11          | 804020404 | Paper Core                              |
| 11          | 8050112   | Core Stopper, 57MM                      |
| End of List |           |   |

**PROPRIETARY**  
 GBC PRO-TECH CLAIMS PROPRIETARY RIGHTS TO THE MATERIAL DISCLOSED ON THIS DRAWING. IT IS ISSUED IN CONFIDENCE FOR ENGINEERING INFORMATION ONLY AND SHALL NOT BE REPRODUCED, COPIED OR DISCLOSED IN WHOLE OR IN PART, OR USED FOR MANUFACTURE OR FOR ANY OTHER PURPOSE WITHOUT WRITTEN PERMISSION FROM GBC PRO-TECH

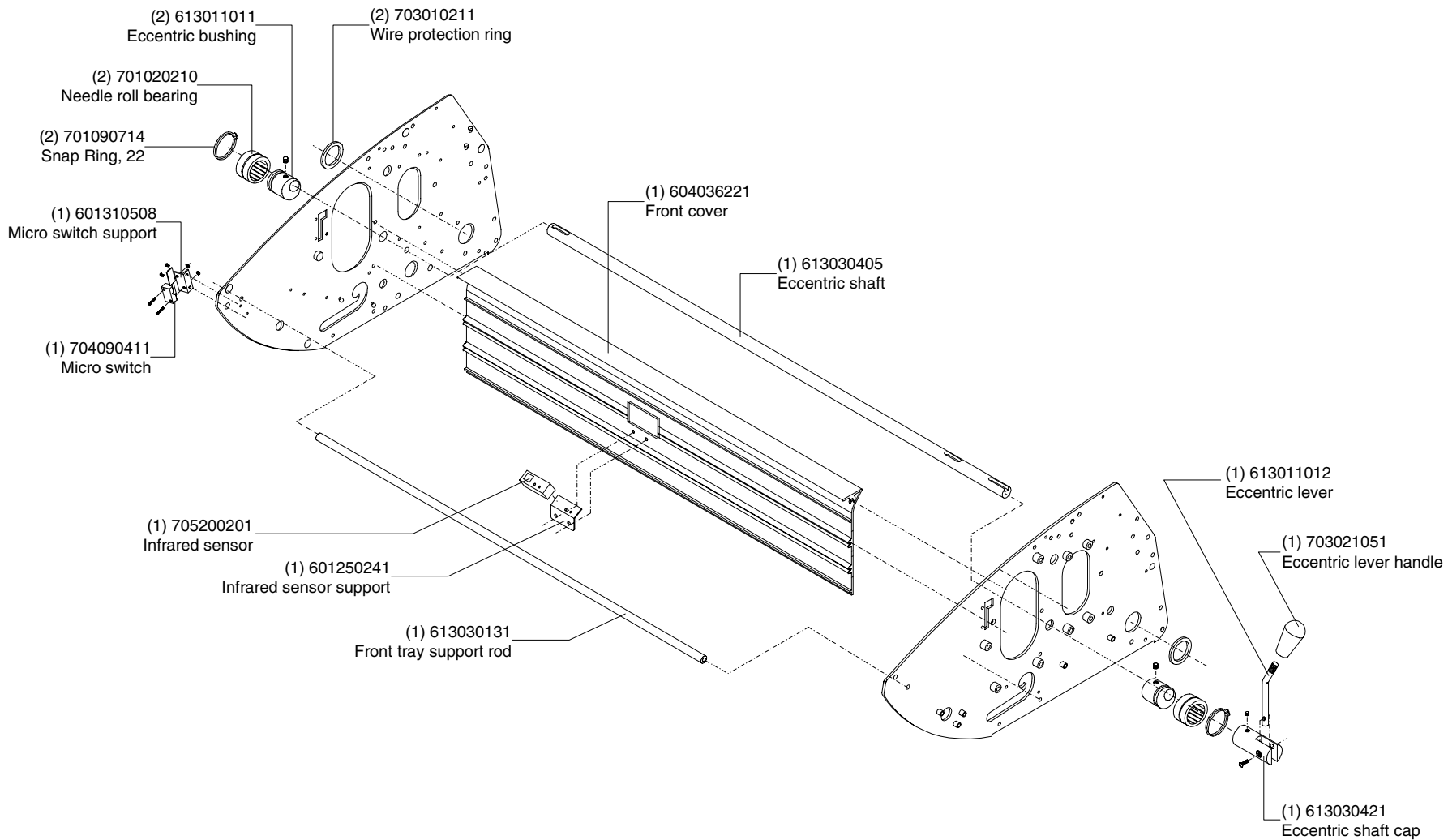


|                            |       |           |  |              |   |
|----------------------------|-------|-----------|--|--------------|---|
| UNLESS OTHERWISE SPECIFIED |       | TOLERANCE |  | FINISH TO BE |   |
| DM. AS SHOWN               | TOL.  |           |  | 125          | ✓ |
| XX                         | ±.164 |           |  |              |   |
| X                          | ±.465 |           |  |              |   |
| XX                         | ±.910 |           |  |              |   |
| XXX                        | ±.920 | ANGLES    |  |              |   |
| XXXX                       | ±.465 |           |  |              |   |

|   |                         |                          |                         |  |  |
|---|-------------------------|--------------------------|-------------------------|--|--|
| This print is the property of GBC Films Group. The information thereon is rendered in confidence. |                         |                          |                         |  |  |
| <b>GBC Films Group</b>  |                         |                          |                         |  |  |
| 4151 Anderson Road, DeForest, WI 53532  |                         |                          |                         |  |  |
| <b>TITLE:</b><br>Assembly, Base<br>Catena 105   |                         |                          |                         |  |  |
| <b>DATE:</b><br>09/25/02  | <b>DRAWN BY:</b><br>N/A | <b>DWG SCALE:</b><br>N/A | <b>DWG:</b><br>C105-001 |  |  |

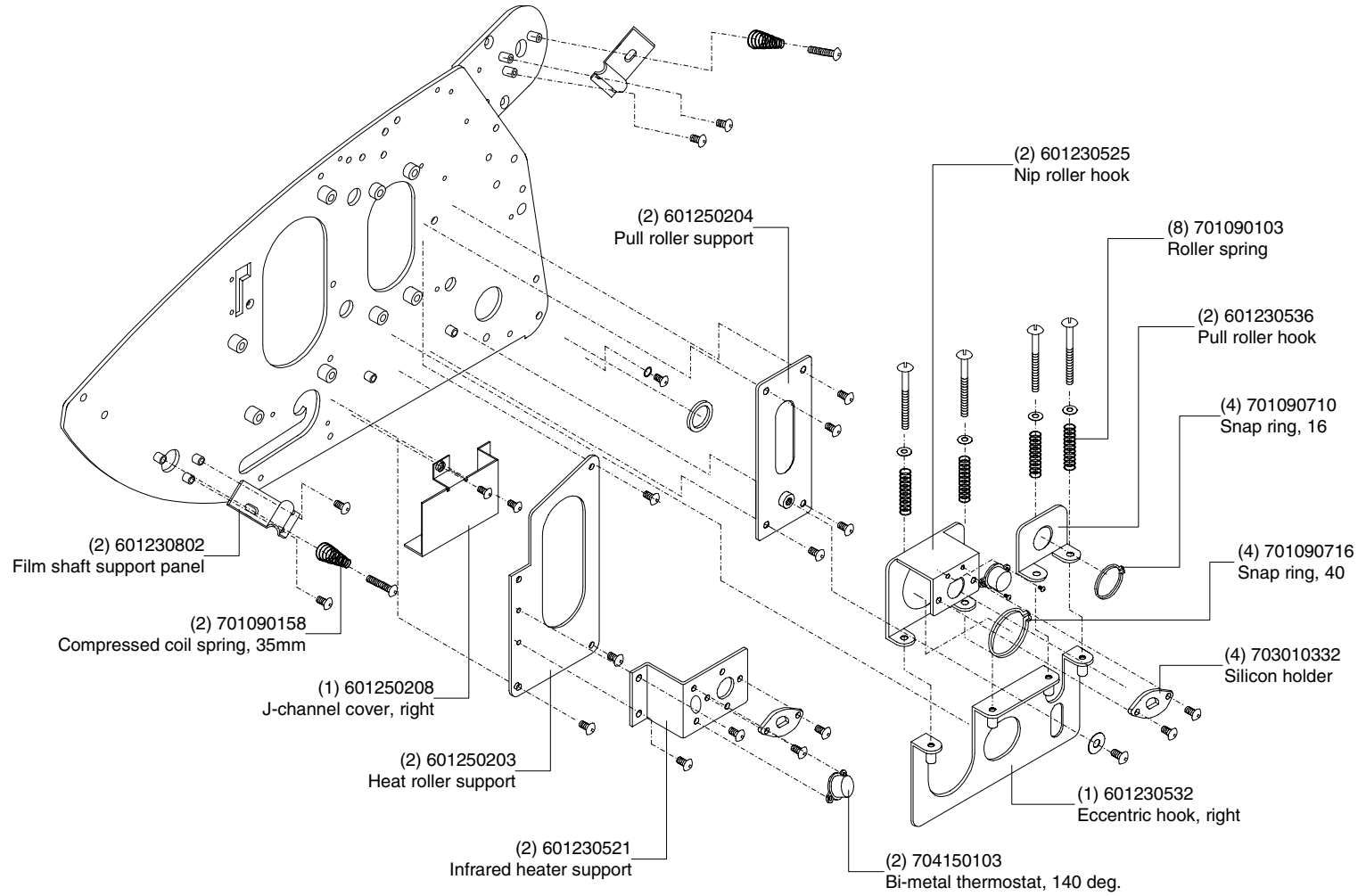
**PROPRIETARY**  
 GBC PRO/TECH CLAIMS PROPRIETARY RIGHTS TO THE MATERIAL DISCLOSED ON THIS DRAWING. IT IS ISSUED IN CONFIDENCE FOR ENGINEERING INFORMATION ONLY AND SHALL NOT BE REPRODUCED, COPIED OR DISCLOSED IN WHOLE OR IN PART, OR USED FOR MANUFACTURE OR FOR ANY OTHER PURPOSE WITHOUT WRITTEN PERMISSION FROM GBC PRO/TECH



|                                      |       |              |   |            |
|--------------------------------------|-------|--------------|---|------------|
| UNLESS OTHERWISE SPECIFIED TOLERANCE |       |              | GBC Films Group<br>4151 Anderson Road, DeForest, WI 53532 |            |
| DRG. AS SHOWN                        | TOL.  | FINISH TO BE | TITLE:<br><b>Assembly, Side Frames<br/>Catena 105</b>     |            |
| SIZE                                 | ±.584 | 125          | DATE: 09/25/02  |            |
| A                                    | ±.050 | ✓            | DRAWN BY:   | DWG SCALE: |
| XX                                   | ±.419 |              | N/A   | N/A        |
| XXX                                  | ±.400 | ANGLES       | DATE:   | DWG:       |
| XXXX                                 | ±.405 | ±.151        | 09/25/02  | C105-002   |

PROPRIETARY

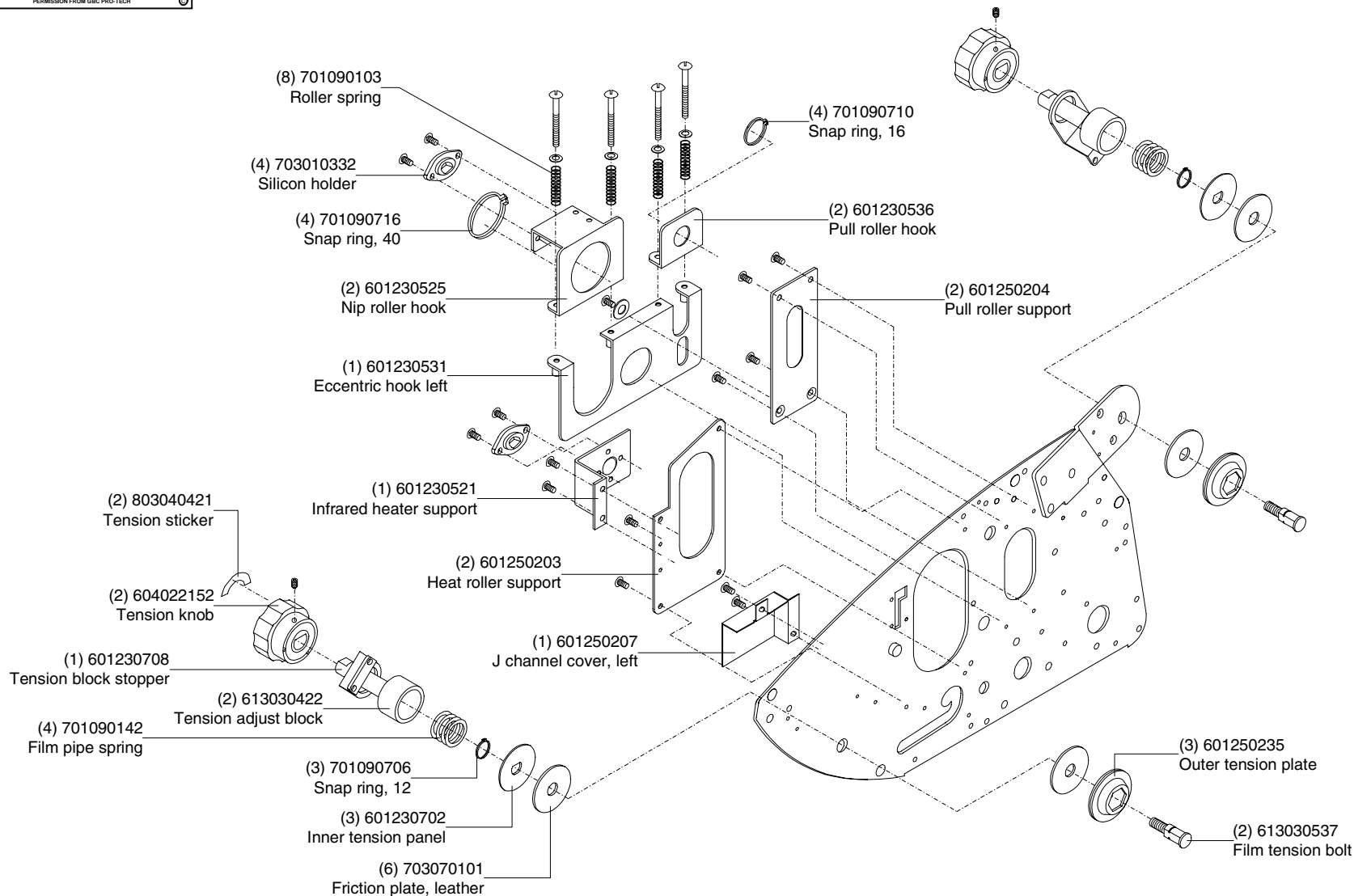
GBC PRO/TECH CLAIMS PROPRIETARY RIGHTS TO THE MATERIAL DISCLOSED ON THIS DRAWING. IT IS ISSUED IN CONFIDENCE FOR ENGINEERING INFORMATION ONLY AND SHALL NOT BE REPRODUCED, COPIED OR DISCLOSED IN WHOLE OR IN PART, OR USED FOR MANUFACTURE OR FOR ANY OTHER PURPOSE WITHOUT WRITTEN PERMISSION FROM GBC PRO/TECH.



This print is the property of GBC Films Group. The information thereon is furnished in confidence.

| UNLESS OTHERWISE SPECIFIED TOLERANCE |       |              | GBC Films Group                        |           |            |                |
|--------------------------------------|-------|--------------|--|-----------|------------|----------------|
| DIM. AS SHOWN                        | TOL.  | FINISH TO BE | 4151 Anderson Road, DeForest, WI 53532 |           |            |                |
| XXX                                  | ±.184 | 125 ✓        | TITLE :                                |           |            |                |
| X                                    | ±.250 |              | <b>Assembly, Right Side</b>            |           |            |                |
| XX                                   | ±.316 |              | <b>Catena 105</b>                      |           |            |                |
| XXX                                  | ±.400 |              | DATE:                                  | DRAWN BY: | DWG SCALE: |                |
| XXXX                                 | ±.495 | ANGLES       | 09/25/02                               | N/A       | N/A        | DWG : C105-003 |

**PROPRIETARY**  
 GBC PRO/TECH CLAIMS PROPRIETARY RIGHTS TO THE MATERIAL DISCLOSED ON THIS DRAWING. IT IS ISSUED IN CONFIDENCE FOR ENGINEERING INFORMATION ONLY AND SHALL NOT BE REPRODUCED, COPIED OR DISCLOSED IN WHOLE OR IN PART, OR USED FOR MANUFACTURE OR FOR ANY OTHER PURPOSE WITHOUT WRITTEN PERMISSION FROM GBC PRO/TECH.

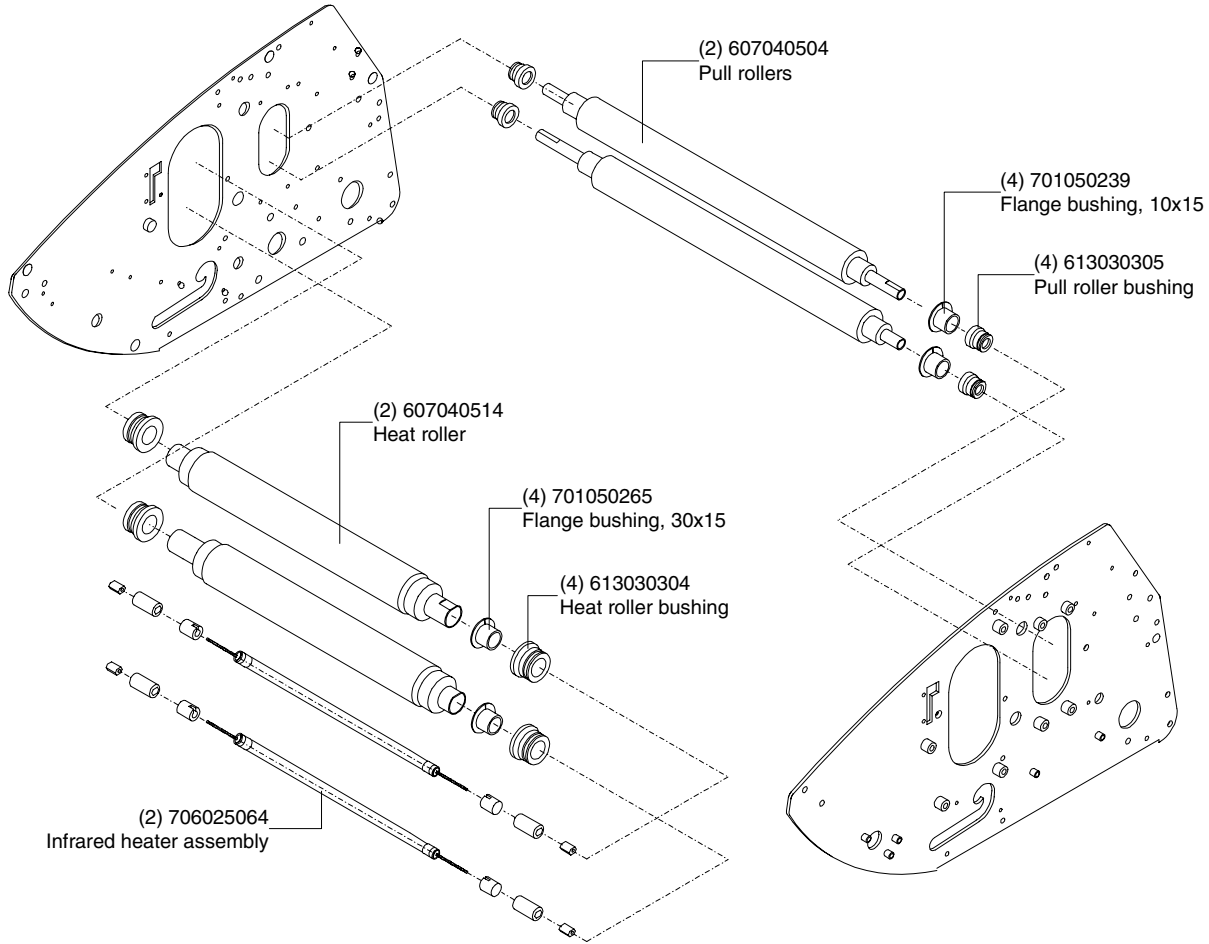


|                                      |       |              |   |   |            |
|--------------------------------------|-------|--------------|---|---|------------|
| UNLESS OTHERWISE SPECIFIED TOLERANCE |       |              |   | GBC Films Group<br>4151 Anderson Road, DeForest, WI 53532 |            |
| DRG. AS SHOWN                        | TOL.  | FINISH TO BE | TITLE:<br><b>Assembly, Left Side<br/>Catena 105</b> |   |            |
| SIZE                                 | ±.584 | 125 ✓        | DATE:   | DRAWN BY:   | DWG SCALE: |
| A                                    | ±.050 |              | 09/25/02  | N/A   | N/A        |
| XX                                   | ±.010 |              | ANGLES  | DWG :   | C105-004   |
| XXX                                  | ±.020 |              |   |   |            |
| XXXX                                 | ±.065 |              |   |   |            |



PROPRIETARY

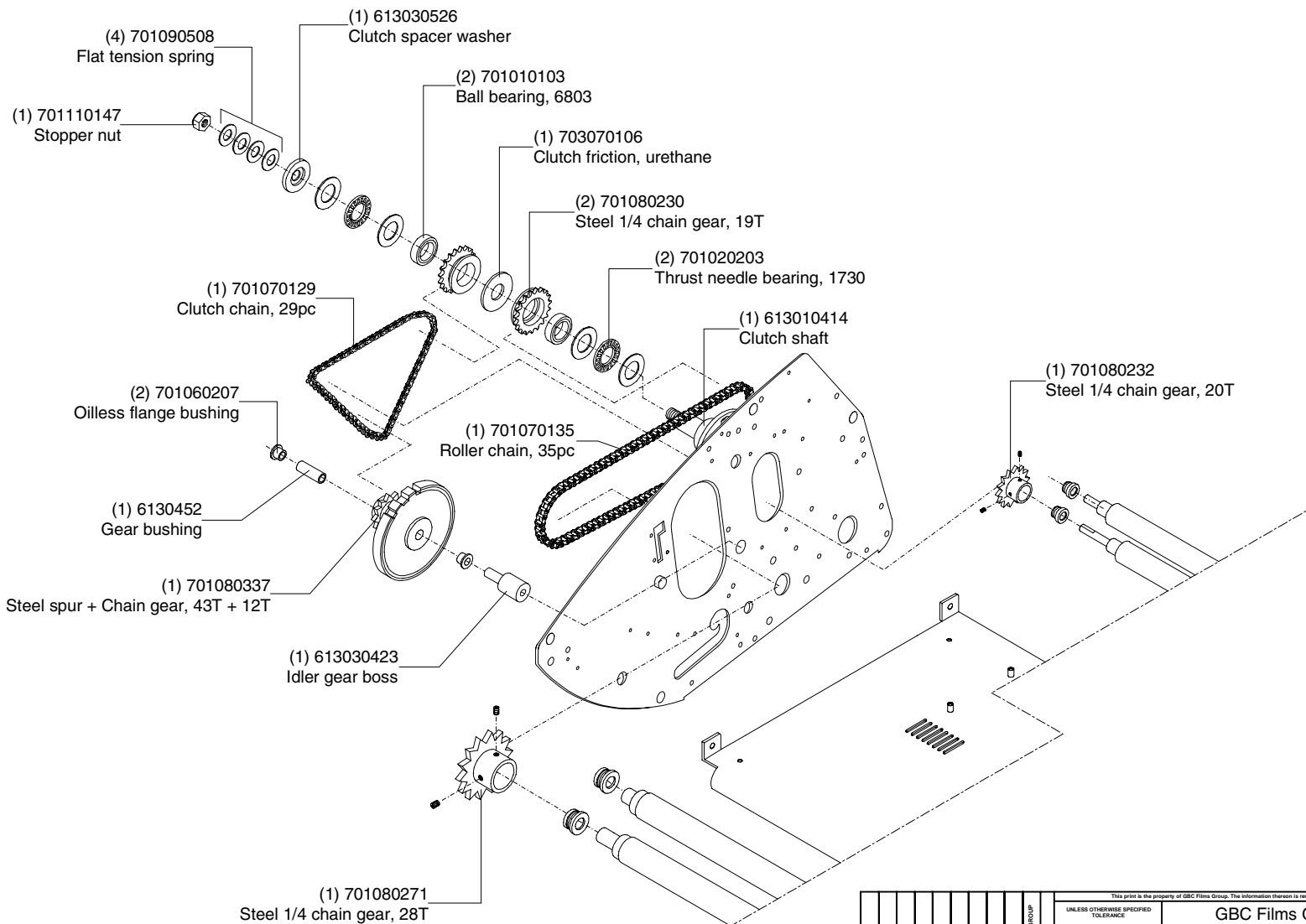
GBC PRO-TECH CLAIMS PROPRIETARY RIGHTS TO THE MATERIAL DISCLOSED ON THIS DRAWING. IT IS ISSUED IN CONFIDENCE FOR ENGINEERING INFORMATION ONLY AND SHALL NOT BE REPRODUCED, COPIED OR DISCLOSED IN WHOLE OR IN PART, OR USED FOR MANUFACTURE OR FOR ANY OTHER PURPOSE WITHOUT WRITTEN PERMISSION FROM GBC PRO-TECH



This print is the property of GBC Films Group. The information thereon is limited in confidence.

|                                      |       |              |   |                   |
|--------------------------------------|-------|--------------|---|-------------------|
| UNLESS OTHERWISE SPECIFIED TOLERANCE |       |              | GBC Films Group<br>4151 Anderson Road, DeForest, WI 53532 |                   |
| DM. AS SHOWN                         | TOL.  | FINISH TO BE | TITLE :<br><b>Assembly, Rollers<br/>Catena 105</b>        |                   |
| XX                                   | ±.184 | 125 ✓        | DATE :<br>09/25/02  | DRAWN BY :<br>N/A |
| X                                    | ±.050 |              | DWG SCALE :<br>N/A  | DWG :<br>C105-005 |
| XX                                   | ±.010 |              |   |                   |
| XXX                                  | ±.000 | ANGLES       |   |                   |
| XXXX                                 | ±.005 | ±1°          |   |                   |

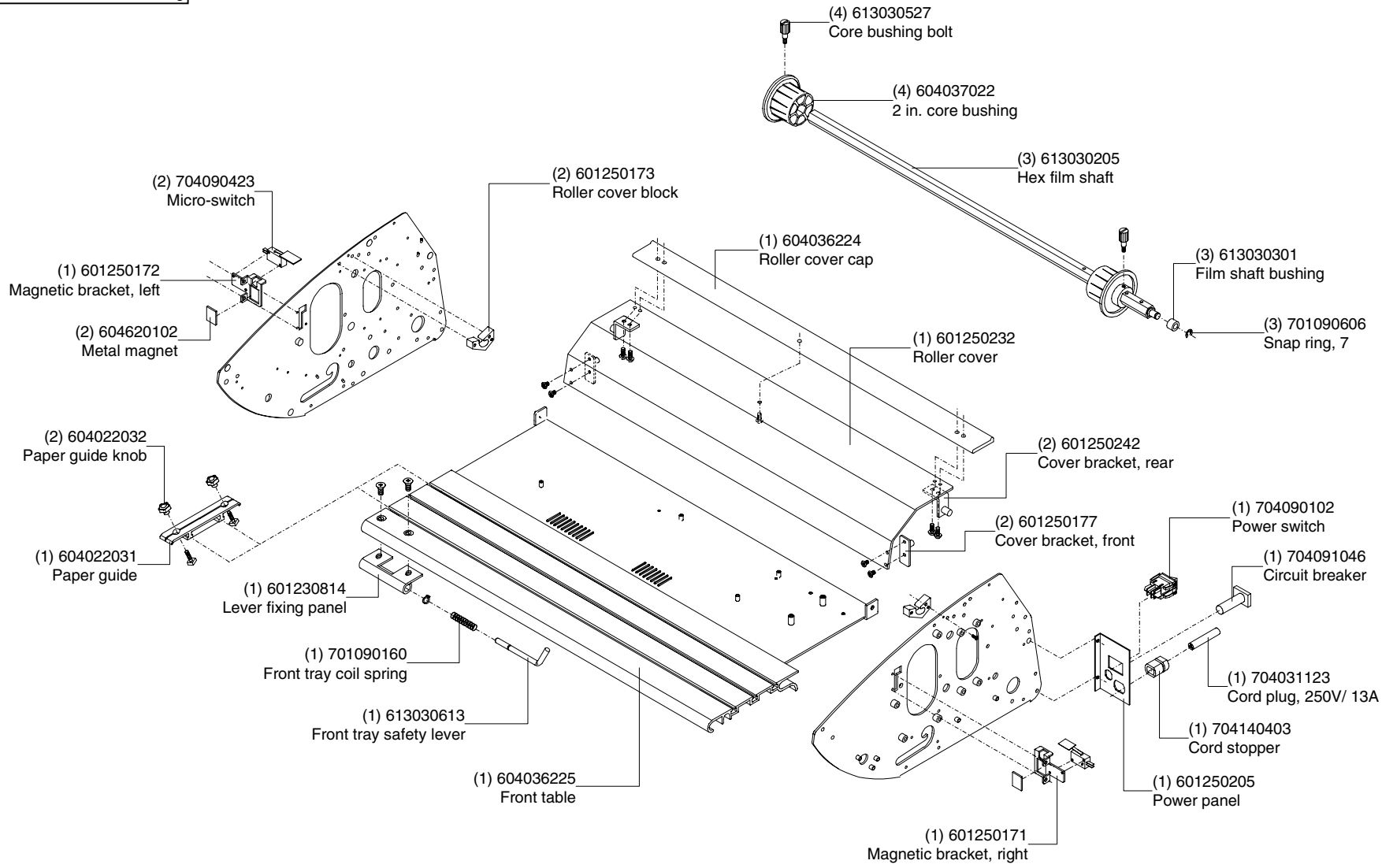
**PROPRIETARY**  
 GBC PRO-TECH CLAIMS PROPRIETARY RIGHTS TO THE MATERIAL DISCLOSED ON THIS DRAWING. IT IS ISSUED IN CONFIDENCE FOR ENGINEERING INFORMATION ONLY AND SHALL NOT BE REPRODUCED, COPIED OR DISCLOSED IN WHOLE OR IN PART, OR USED FOR MANUFACTURE OR FOR ANY OTHER PURPOSE WITHOUT WRITTEN PERMISSION FROM GBC PRO-TECH.



This print is the property of GBC Films Group. The information thereon is restricted in confidence.

|                                      |       |              |   |           |
|--------------------------------------|-------|--------------|---|-----------|
| UNLESS OTHERWISE SPECIFIED TOLERANCE |       |              | GBC Films Group   |           |
| DIM. AS SHOWN                        | TOL.  | FINISH TO BE | 4151 Anderson Road, DeForest, WI 53532                          |           |
| XX                                   | ±.154 | 132 ✓        | <b>TITLE :</b><br>Assembly, Clutch & Drive<br><b>Catena 105</b> |           |
| X                                    | ±.100 |              |   |           |
| XX                                   | ±.070 |              |   |           |
| XXX                                  | ±.020 |              |   |           |
| XXXX                                 | ±.005 | ANGLES ±.10° | DATE:   | DRAWN BY: |
|                                      |       |              | 09/25/02  | N/A       |
|                                      |       |              | DWG SCALE:  | DWG:      |
|                                      |       |              | N/A   | C105-006  |

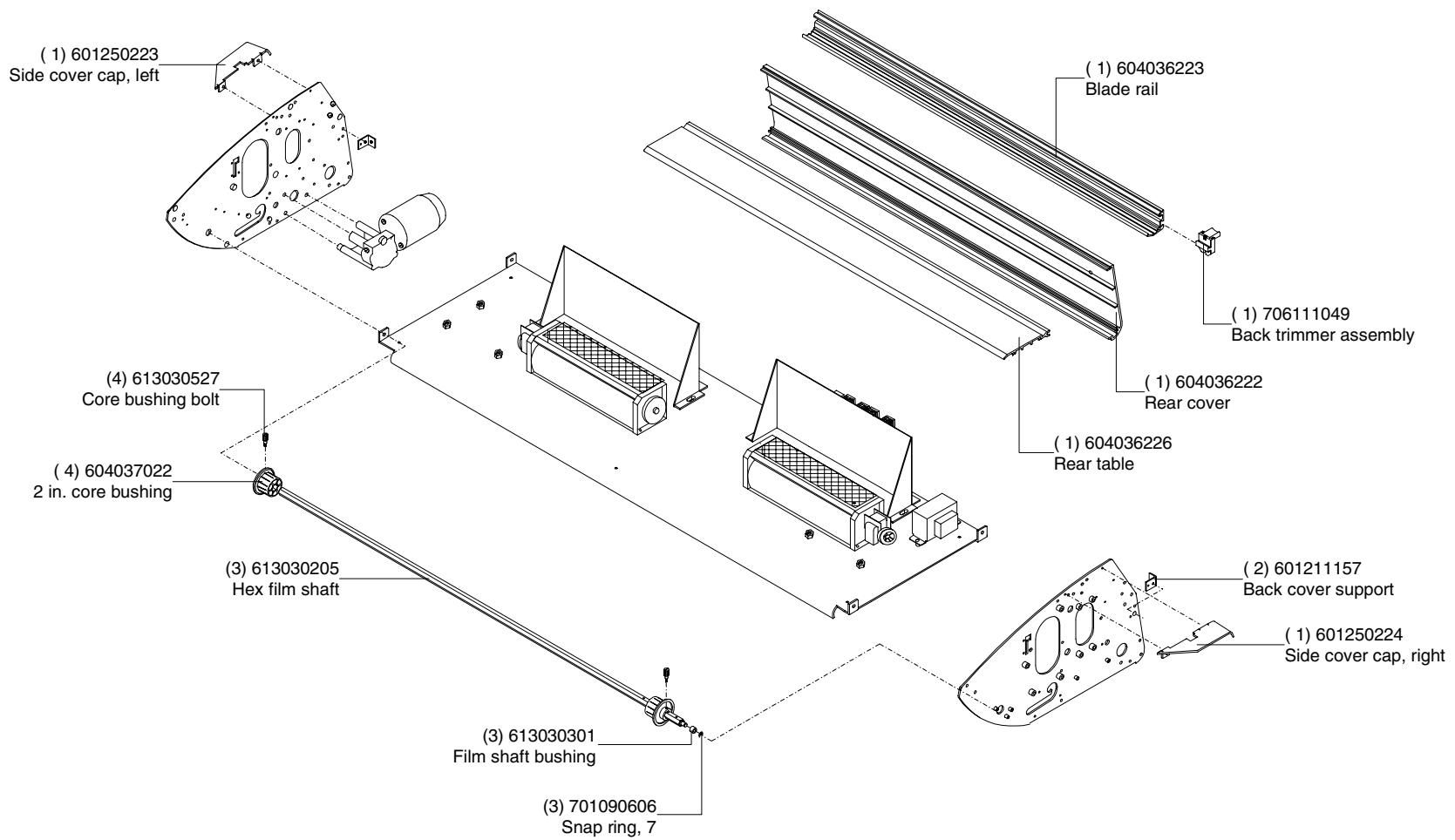
**PROPRIETARY**  
 GBC PRO-TECH CLAIMS PROPRIETARY RIGHTS TO THE MATERIAL DISCLOSED ON THIS DRAWING. IT IS ISSUED IN CONFIDENCE FOR ENGINEERING INFORMATION ONLY AND SHALL NOT BE REPRODUCED, COPIED OR DISCLOSED IN WHOLE OR IN PART, OR USED FOR MANUFACTURE OR FOR ANY OTHER PURPOSE WITHOUT WRITTEN PERMISSION FROM GBC PRO-TECH



This print is the property of GBC Films Group. The information thereon is rendered in confidence.






|   |  |  |  |  |  |  |
|---|--|--|--|--|--|--|
| UNLESS OTHERWISE SPECIFIED TOLERANCE    |  |  | <b>GBC Films Group</b>                 |  |  |  |
|   |  |  | 4151 Anderson Road, DeForest, WI 53532 |  |  |  |
| TITLE:                                  |  |  | DRAWN BY:                              |  |  |  |
| Assembly, Table, Shield, & Upper Unwind |  |  | DATE:                                  |  |  |  |
| Catena 105                              |  |  | DWG SCALE:                             |  |  |  |
|   |  |  | DWG:                                   |  |  |  |
|   |  |  | C105-007                               |  |  |  |

**PROPRIETARY**  
 GBC PRO/TECH CLAIMS PROPRIETARY RIGHTS TO THE MATERIAL DISCLOSED ON THIS DRAWING. IT IS ISSUED IN CONFIDENCE FOR ENGINEERING INFORMATION ONLY AND SHALL NOT BE REPRODUCED, COPIED OR DISCLOSED IN WHOLE OR IN PART, OR USED FOR MANUFACTURE OR FOR ANY OTHER PURPOSE WITHOUT WRITTEN PERMISSION FROM GBC PRO/TECH.

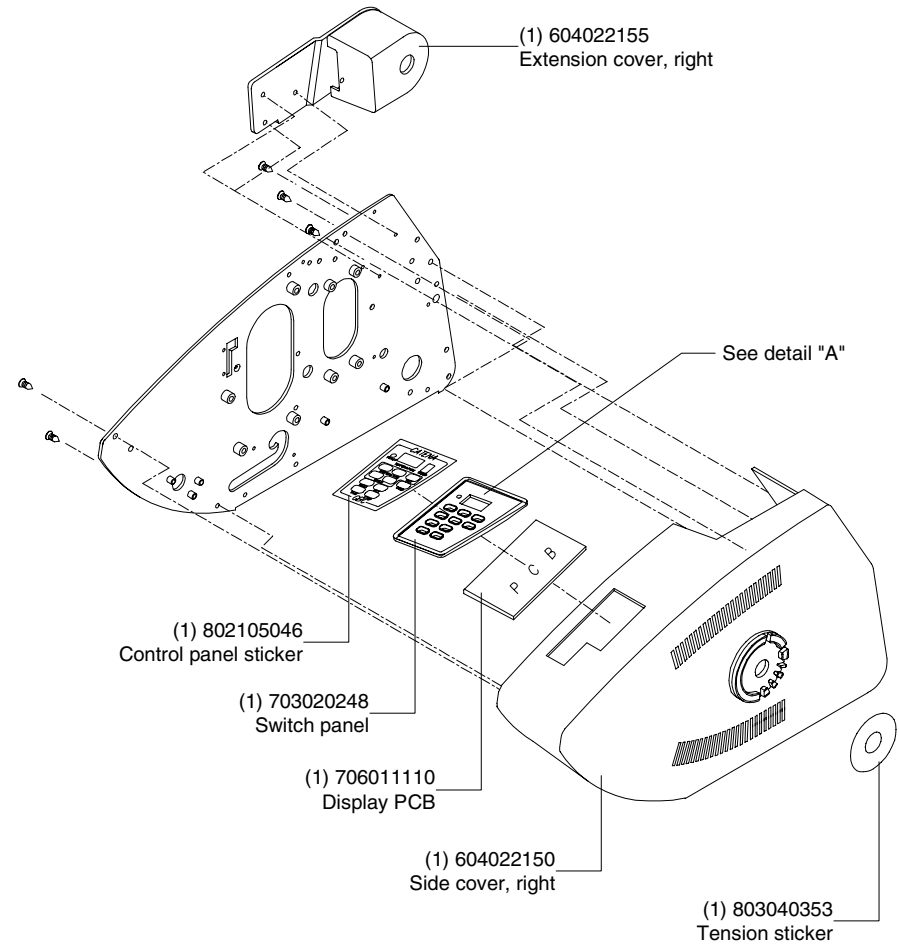
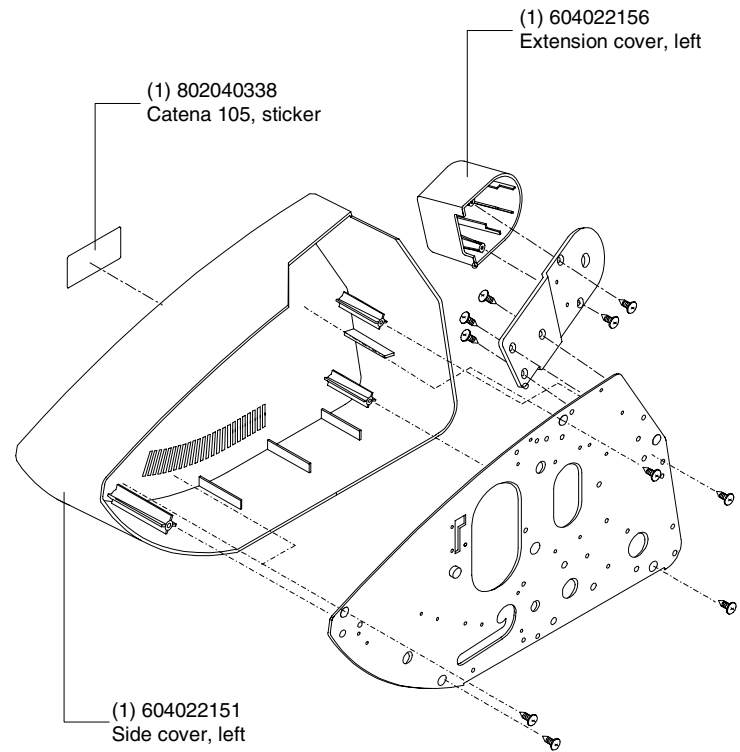


|                                      |       |              |   |           |
|--------------------------------------|-------|--------------|---|-----------|
| UNLESS OTHERWISE SPECIFIED TOLERANCE |       |              | GBC Films Group<br>4151 Anderson Road, DeForest, WI 53532           |           |
| DRG. AS SHOWN                        | TOL.  | FINISH TO BE | TITLE:<br><b>Assembly, Rear Cover &amp; Lower Unwind Catena 105</b> |           |
| SIZE                                 | ±.584 | 125 ✓        | DATE:   | DRAWN BY: |
| A                                    | ±.050 |              | 09/25/02  | N/A       |
| XX                                   | ±.010 |              | DWG SCALE:  | N/A       |
| XXX                                  | ±.020 | ANGLES       | DATE:   | DWG:      |
| XXXX                                 | ±.065 | ±.15         | 09/25/02  | C105-008  |

**PROPRIETARY**  
 GBC PRO-TECH CLAIMS PROPRIETARY RIGHTS TO THE MATERIAL DISCLOSED ON THIS DRAWING. IT IS ISSUED IN CONFIDENCE FOR ENGINEERING INFORMATION ONLY AND SHALL NOT BE REPRODUCED, COPIED OR DISCLOSED IN WHOLE OR IN PART, OR USED FOR MANUFACTURE OR FOR ANY OTHER PURPOSE WITHOUT WRITTEN PERMISSION FROM GBC PRO-TECH.

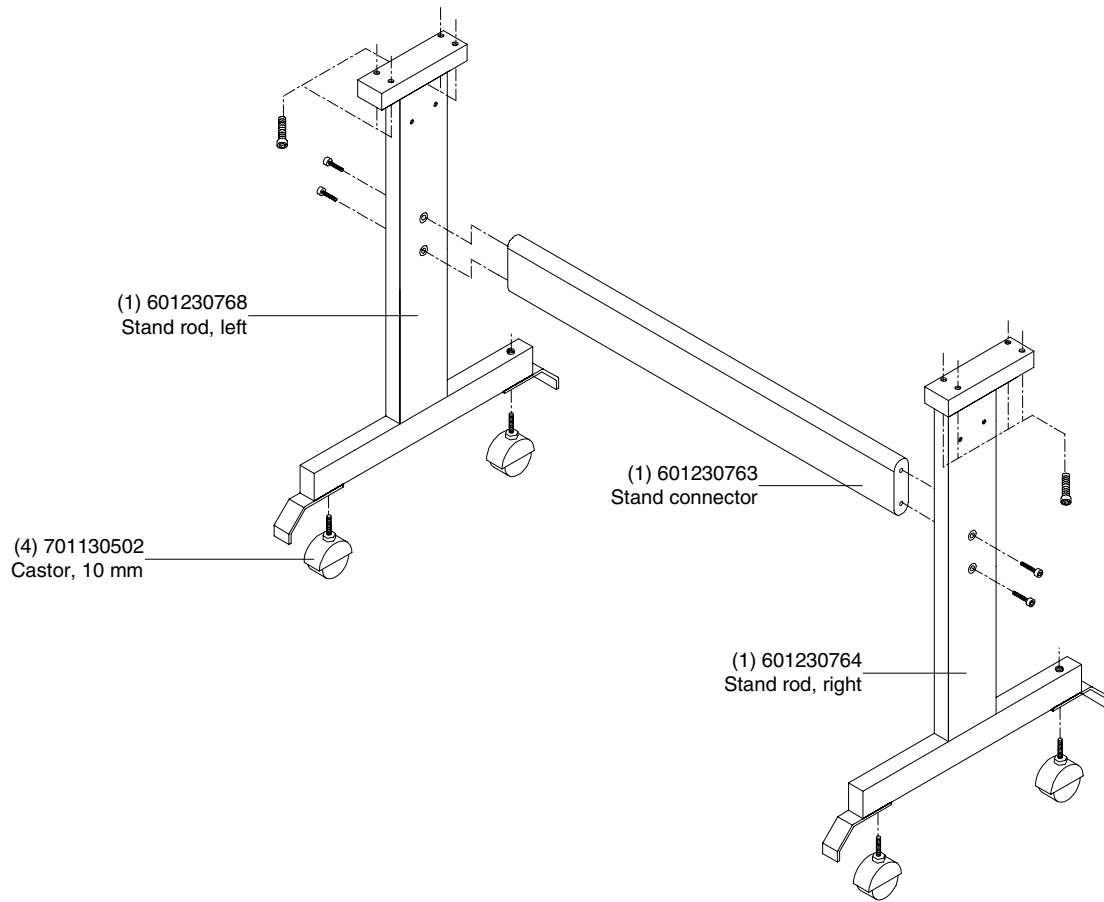
-  (4) 703020551 UP/ DOWN
-  (1) 703020553 STOP
-  (2) 703020554 RUN/ REV
-  (1) 703020556 MEAS
-  (2) 703020557 HOT/ COLD

Detail "A"



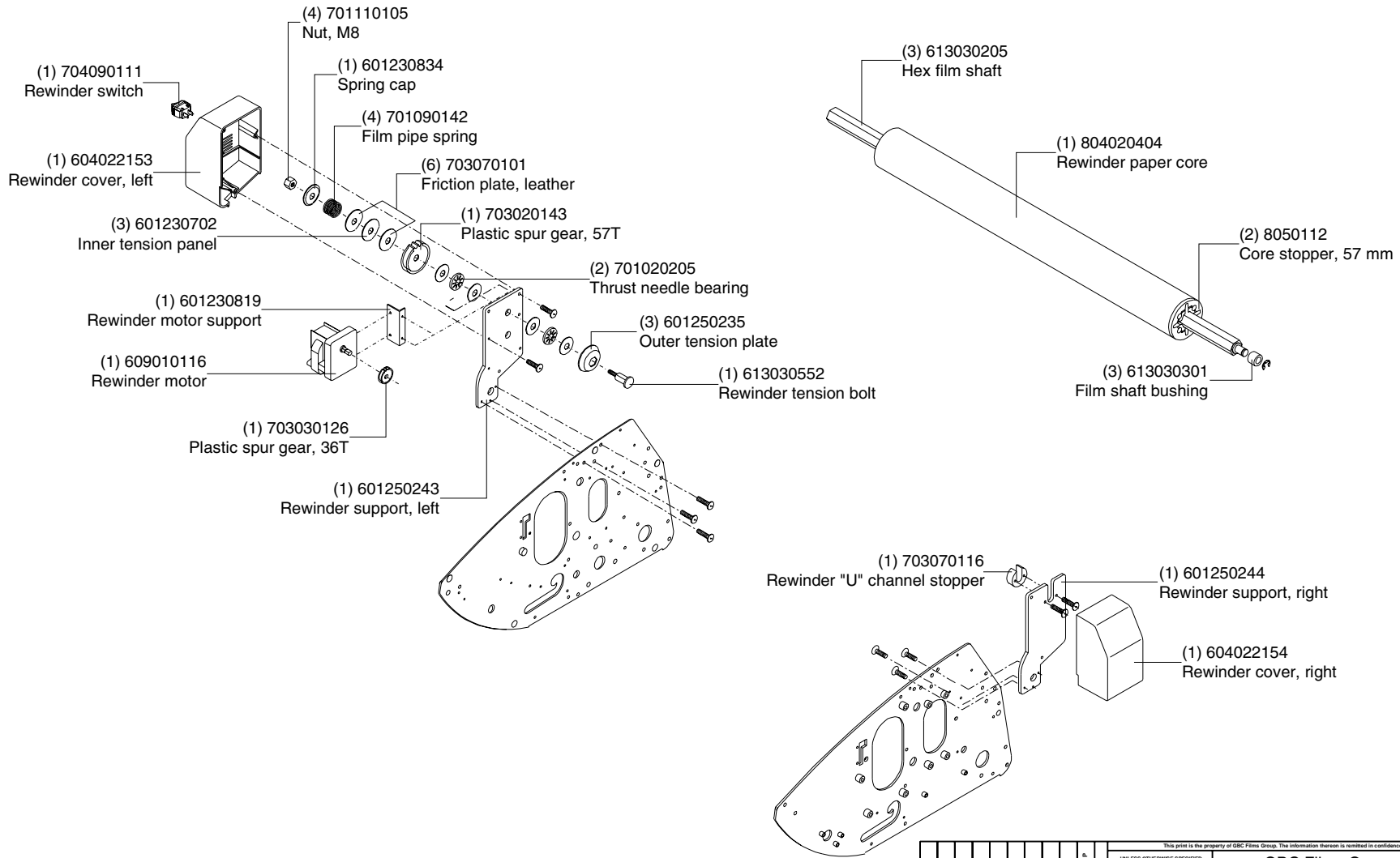
|   |                   |   |                   |
|---|-------------------|---|-------------------|
| <small>This print is the property of GBC Films Group. The information thereon is limited in confidence.</small> |                   |   |                   |
| UNLESS OTHERWISE SPECIFIED<br>TOLERANCE   |                   | FINISH<br>TO BE                                     |                   |
| DM. AS SHOWN  | TOL.              | YES <input checked="" type="checkbox"/>             |                   |
| XX  | ±.164             |   |                   |
| X   | ±.050             |   |                   |
| XX  | ±.010             |   |                   |
| XXX   | ±.000             |   |                   |
| XXXX  | ±.005             | PHILLOS   | ±.10              |
| GBC Films Group<br>4151 Anderson Road, DeForest, WI 53532   |                   | TITLE :<br><b>Assembly, Cabinets<br/>Catena 105</b> |                   |
| DATE :<br>09/25/02  | DRAWN BY :<br>N/A | DWG SCALE :<br>N/A                                  | DWG :<br>C105-009 |

**PROPRIETARY**  
 GBC PRO-TECH CLAIMS PROPRIETARY RIGHTS TO THE MATERIAL DISCLOSED ON THIS DRAWING. IT IS ISSUED IN CONFIDENCE FOR ENGINEERING INFORMATION ONLY AND SHALL NOT BE REPRODUCED, COPIED OR DISCLOSED IN WHOLE OR IN PART, OR USED FOR MANUFACTURE OR FOR ANY OTHER PURPOSE WITHOUT WRITTEN PERMISSION FROM GBC PRO-TECH ©



|  |       |   |   |
|--|-------|---|---|
| This print is the property of GBC Films Group. The information thereon is reprinted in confidence. |       |   |   |
| UNLESS OTHERWISE SPECIFIED TOLERANCE   |       | GBC Films Group<br>4151 Anderson Road, DeForest, WI 53532 |   |
| DM. AS SHOWN   | TOL.  | FINISH TO BE  | TITLE:<br><b>Assembly, Stand Catena 105</b><br>DATE: 09/25/02    DRAWN BY: N/A    DWG SCALE: N/A    DWG: C105-010 |
| 01X  | ±.184 | 125 ✓   |   |
| X  | ±.050 |   |   |
| XX   | ±.010 |   |   |
| XXX  | ±.002 |   |   |
| XXXX   | ±.005 | ANGLES ±.1°   |   |

**PROPRIETARY**  
 GBC PRO-TECH CLAIMS PROPRIETARY RIGHTS TO THE MATERIAL DISCLOSED ON THIS DRAWING. IT IS ISSUED IN CONFIDENCE FOR ENGINEERING INFORMATION ONLY AND SHALL NOT BE REPRODUCED, COPIED OR DISCLOSED IN WHOLE OR IN PART, OR USED FOR MANUFACTURE OR FOR ANY OTHER PURPOSE WITHOUT WRITTEN PERMISSION FROM GBC PRO-TECH.



|   |               |                |  |
|---|---------------|----------------|--|
| UNLESS OTHERWISE SPECIFIED TOLERANCE                      |               |                |  |
| CHECKED BY: GBC FILMS GROUP                               | DIM. AS SHOWN | TOL.           | FINISH TO BE                                     |
|   | XX            | ±.184          | 125 ✓  |
|   | X             | ±.050          |  |
|   | XX            | ±.010          |  |
|   | XXX           | ±.000          |  |
| XXXX  | ±.005         | ANGLES ±.10    |  |
| GBC Films Group<br>4151 Anderson Road, DeForest, WI 53532 |               |                |  |
| TITLE: Assembly, Rewind<br>Catena 105                     |               | DATE: 09/25/02 | DRAWN BY: N/A<br>DWG SCALE: N/A<br>DWG: C105-011 |