

PARTS LIST/PARTS ILLUSTRATIONS

CATENA 35

DWG #	Code No.	Item Description
8	601211157	Back Cover Support
4	601230501	Eccentric Hook (Left)
3	601230502	Eccentric Hook (Right)
3, 4	601230521	Infrared Heater Support
3, 4	601230525	Nip Roller Hook
3, 4	601230527	Pull Roller Hook
4	601230702	Inner Tension Panel
4	601230708	Tension Block Stopper
3	601230802	Film Shaft Support Plate
7	601230814	Lever Fixing Panel
7	601250171	Magnetic Bracket (Right)
7	601250172	Magnetic Bracket (Left)
7	601250173	Roller Cover Block
7	601250177	Roller Cover Bracket, Front
1	601250201	Side Plate (Left)
1	601250202	Side Plate (Right)
3, 4	601250203	Heat Roller Support
3, 4	601250204	Pull Roller Support
7	601250205	Power Panel
4	601250206	Outer Tension Plate
4	601250207	J-Channel Cover (Left)
3	601250208	J-channel Cover (Right)
1	601250209	Extension Plate (Right)
1	601250210	Extension Plate (Left)
1	601250211	Bottom Plate
7	601250212	Roller Cover
8	601250213	Side Cover Cap (Left)
8	601250214	Side Cover Cap (Right)
2	601250241	Sensor Bracket
7	601250242	PCB Cover Rear Bracket
2	601310508	Micro-Switch Support
9	604022150	Side Cover (Right)
7	604022031	Paper Guide
7	604022032	Paper Guide Knob
9	604022151	Side Cover (Left)
4	604022152	Tension Knob
9	604022155	Extension Cover (Right)
9	604022156	Extension Cover (Left)
2	604036103	Fan Plate
2	604036201	Front Cover
8	604036202	Rear Cover
8	604036203	Blade Rail
7	604036204	Roller Cover Cap
7	604036205	Front Table
8	604036206	Rear Table
7, 8	604037021	1 in. Core Bushing

CATENA 35

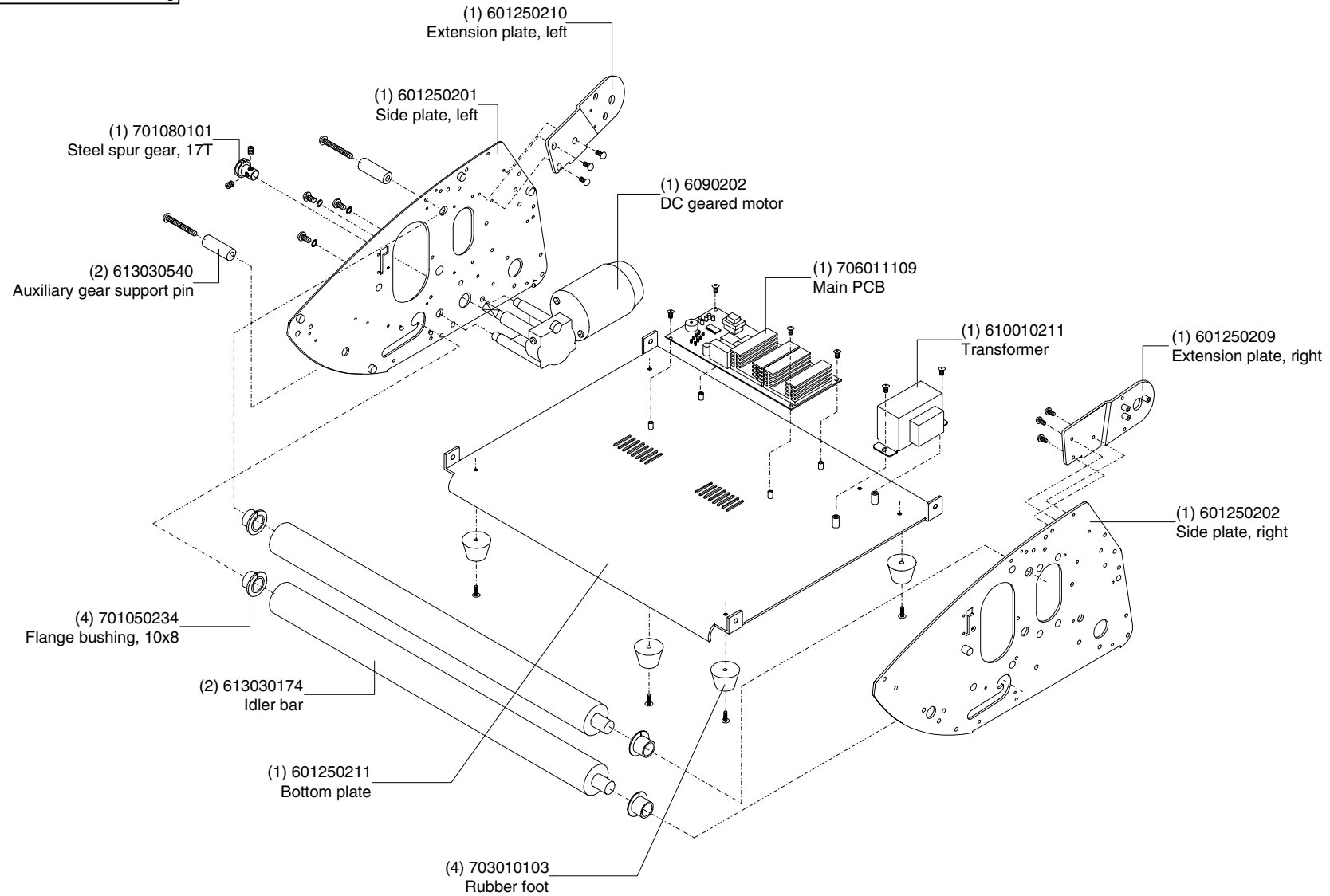
DWG #	Code No.	Item Description
7	604620102	Metal Magnet
5	607040501	Pull Roller
5	607040511	Heat Roller
1	6090202	DC Geared Motor
2	609040201	Cooling Fan
1	610010211	Transformer, 120/36/1.3
2	613011011	Eccentric Bushing
2	613011012	Eccentric Lever
2	613030111	Front Tray Support Rod
1	613030174	Idler Bar
7, 8	613030201	Hex Film Shaft
7, 8	613030301	Film Shaft Bushing
5	613030304	Heat Roller Bushing
5	613030305	Pull Roller Bushing
2	613030401	Eccentric Shaft
2	613030421	Eccentric Shaft Cap
4	613030422	Tension Adjust Block
6	613030423	Idler Gear Boss
7, 8	613030527	Core Bushing Bolt
4	613030537	Film Tension Bolt
1	613030540	Auxiliary Gear Support Pin
7	613030613	Front Tray Safety Lever
2	701020210	Needle Roller Bearing, 4903
1	701050234	Flange Bushing, 10x8
5	701050239	Flange Bushing, 10x15
5	701050265	Flange Bushing, 30x15
6	701060207	Oilless Flange Bushing
6	701070131	Roller Chain, 31 pc
1	701080101	Steel Spur Gear, 17T
6	701080207	Steel Chain Gear, 15T
6	701080271	Steel Chain Gear, 28T
6	701080336	Steel Spur + Chain Gear, 43T+13T
3, 4	701090103	Roller Spring
4	701090142	Film Pipe Spring
3	701090158	Compressed Coil Spring
7	701090160	Front Tray Coil Spring
7, 8	701090606	Snap Ring, 7
4	701090706	Snap Ring, 12
3, 4	701090710	Snap Ring, 16
2	701090714	Snap Ring, 22
3, 4	701090716	Snap Ring, 40
1	703010103	Rubber Foot
2	703010211	Wire Protection Ring
3,4	703010332	Holder
9	703020248	Switch Panel
9	703020551	Key, UP/ DOWN

CATENA 35

DWG #	Code No.	Item Description
9	703020553	Key, STOP
9	703020554	Key, RUN/ REVERSE
9	703020556	Key, MEASURE
9	703020557	Key, HOT/ COLD
2	703021051	Eccentric Lever Handle
4	703070101	Friction Panel, Leather
7	704030316	Cord Plug 125V UL
7	704090102	Power Switch
2	704090411	Micro-Switch, 2
7	704090423	Micro-Switch, 3
7	704091048	Circuit Breaker
7	704140403	Cord Stopper
3	704150101	Bi-Metal Thermostat
2	705200201	Infrared Sensor
1	706011109	Main PCB
9	706011110	Display PCB
5	706025061	Infrared Heater Assembly
8	706111049	Back Trimmer Assembly
-	930084	Operations Manual
9	802040336	Catena 65 Sticker
9	802105046	Control Panel Sticker
-	803030271	Specification Sticker
-	803040316	Power Sticker
-	803040323	Shaock Hazard Warning Sticker
-	803040325	Sharp Blade Warning Sticker
-	803040326	Pull Roller Warning Sticker
-	803040327	Heat Roller Pinch Point Warning Sticker
-	803040329	Do Not Operate Warning Sticker
9	803040353	Tension Sticker
4	803040421	Unwind Tension Sticker

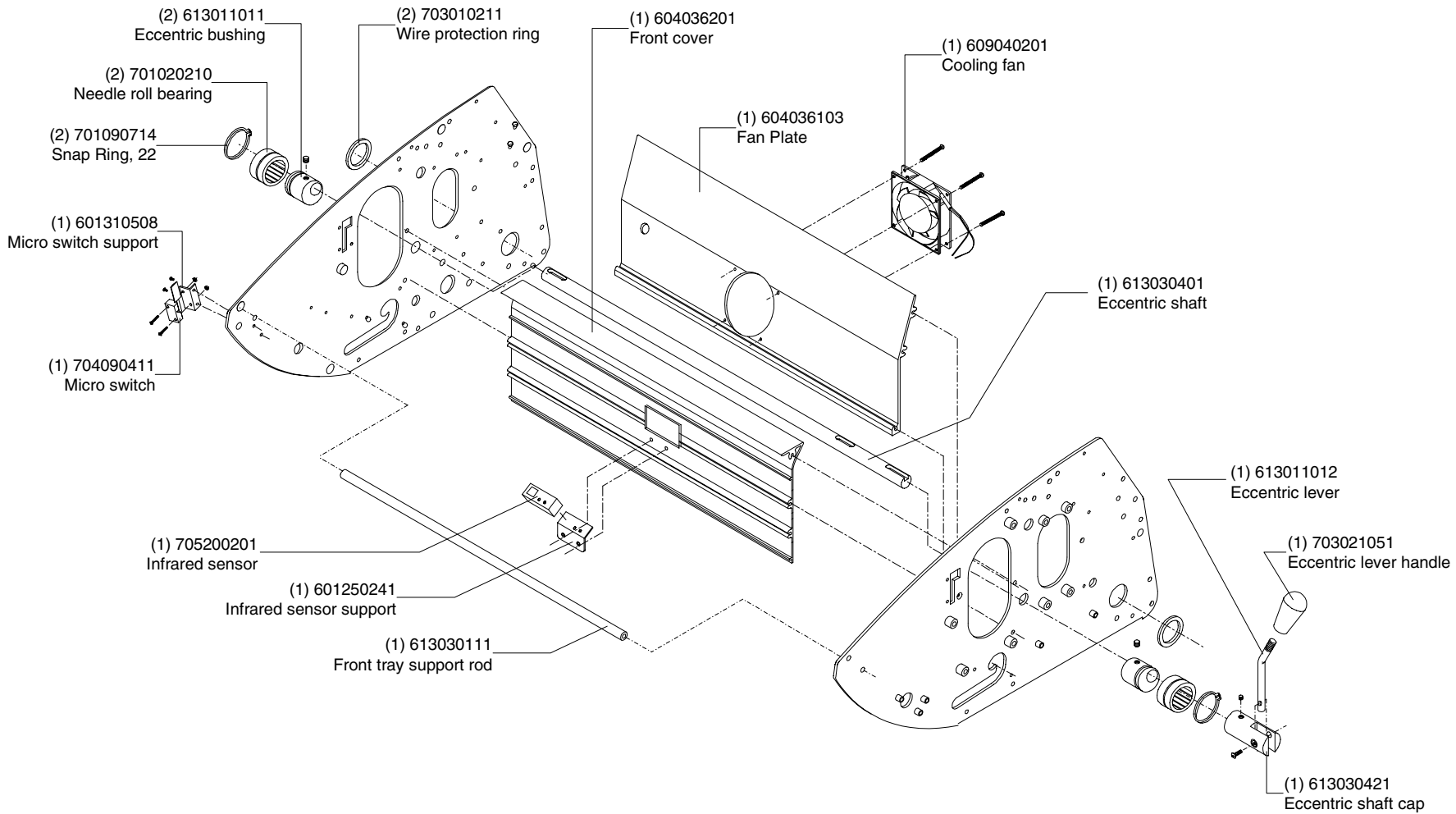
End of list

PROPRIETARY
 GBC PRO/TECH CLAIMS PROPRIETARY RIGHTS TO THE MATERIAL DISCLOSED ON THIS DRAWING. IT IS ISSUED IN CONFIDENCE FOR ENGINEERING INFORMATION ONLY AND SHALL NOT BE REPRODUCED, COPIED OR DISCLOSED IN WHOLE OR IN PART, OR USED FOR MANUFACTURE OR FOR ANY OTHER PURPOSE WITHOUT WRITTEN PERMISSION FROM GBC PRO/TECH.



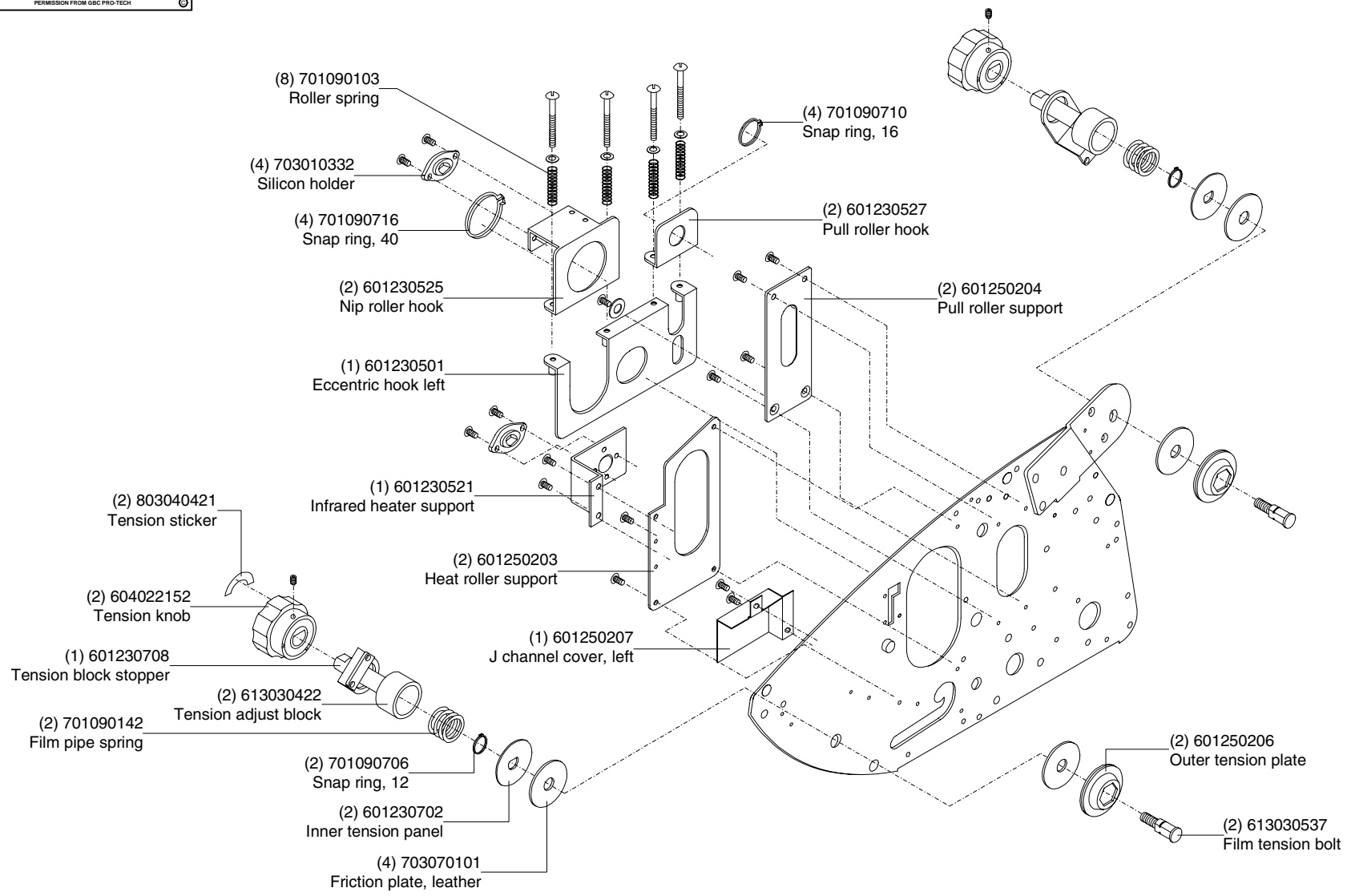
This print is the property of GBC Films Group. The information thereon is restricted in confidence.			
UNLESS OTHERWISE SPECIFIED TOLERANCE		GBC Films Group	
4151 Anderson Road, DeForest, WI 53532		TITLE:	
TITLE:		Assembly, Base	
Catena 35		DATE:	
DATE:		10/11/02	
DRAWN BY:		N/A	
DWG SCALE:		N/A	
DWG:		C35-001	

PROPRIETARY
 GBC PRO-TECH CLAIMS PROPRIETARY RIGHTS TO THE MATERIAL DISCLOSED ON THIS DRAWING. IT IS ISSUED IN CONFIDENCE FOR ENGINEERING INFORMATION ONLY AND SHALL NOT BE REPRODUCED, COPIED OR DISCLOSED IN WHOLE OR IN PART, OR USED FOR MANUFACTURE OR FOR ANY OTHER PURPOSE WITHOUT WRITTEN PERMISSION FROM GBC PRO-TECH.



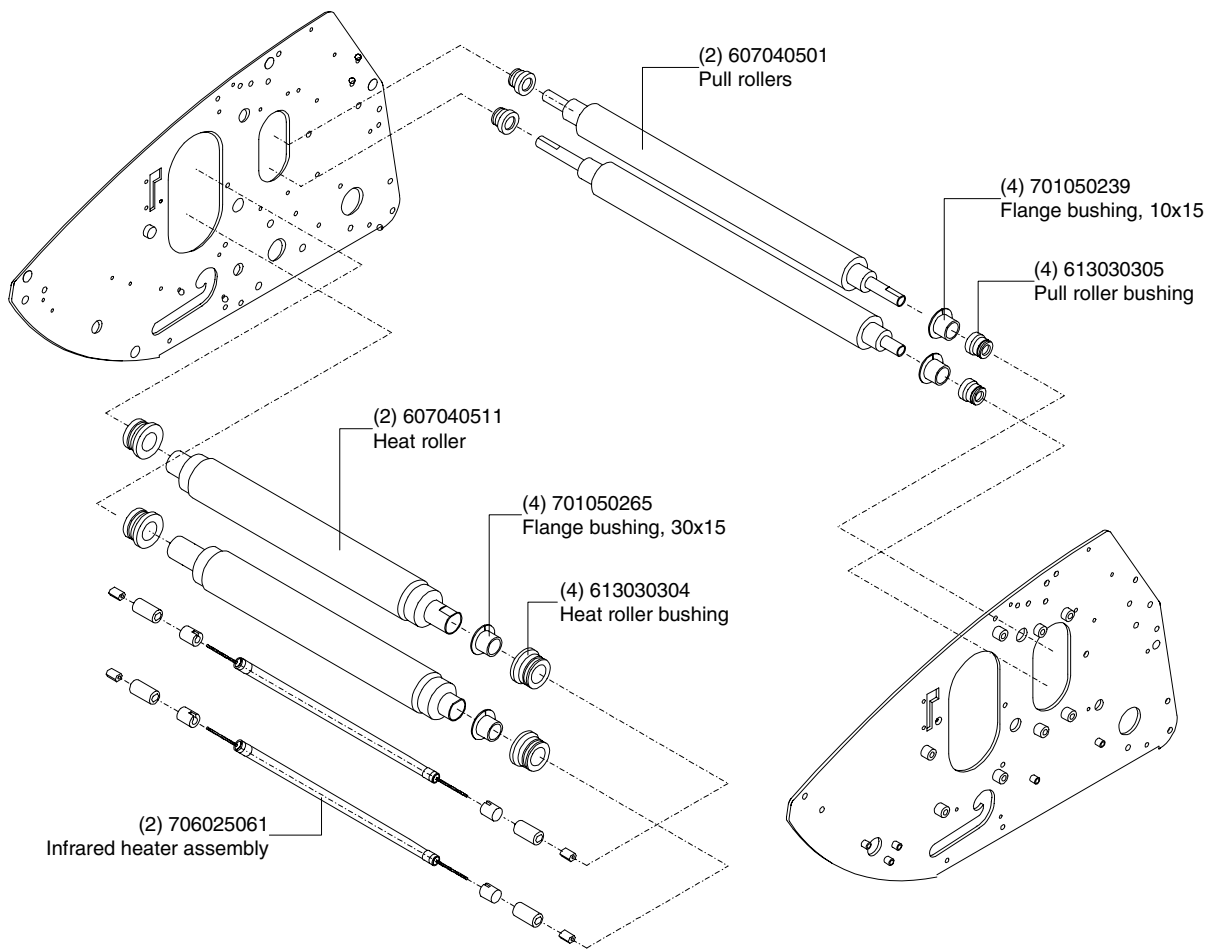
UNLESS OTHERWISE SPECIFIED TOLERANCE			GBC Films Group 4151 Anderson Road, DeForest, WI 53532	
DM, AS SHOWN	TOL.	FINISH TO BE	TITLE: Assembly, Side Frames Catena 35	
XX	±.124	115	DATE:	DRAWN BY:
X	±.450		10/11/02	N/A
XX	±.410		DWG SCALE:	DWG:
XXX	±.520	ANGLES		N/A
XXXX	±.405	±.10		C35-002

PROPRIETARY
 GBC PRO-TECH CLAIMS PROPRIETARY RIGHTS TO THE MATERIAL DISCLOSED ON THIS DRAWING. IT IS ISSUED IN CONFIDENCE FOR ENGINEERING INFORMATION ONLY AND SHALL NOT BE REPRODUCED, COPIED OR DISCLOSED IN WHOLE OR IN PART, OR USED FOR MANUFACTURE OR FOR ANY OTHER PURPOSE WITHOUT WRITTEN PERMISSION FROM GBC PRO-TECH.



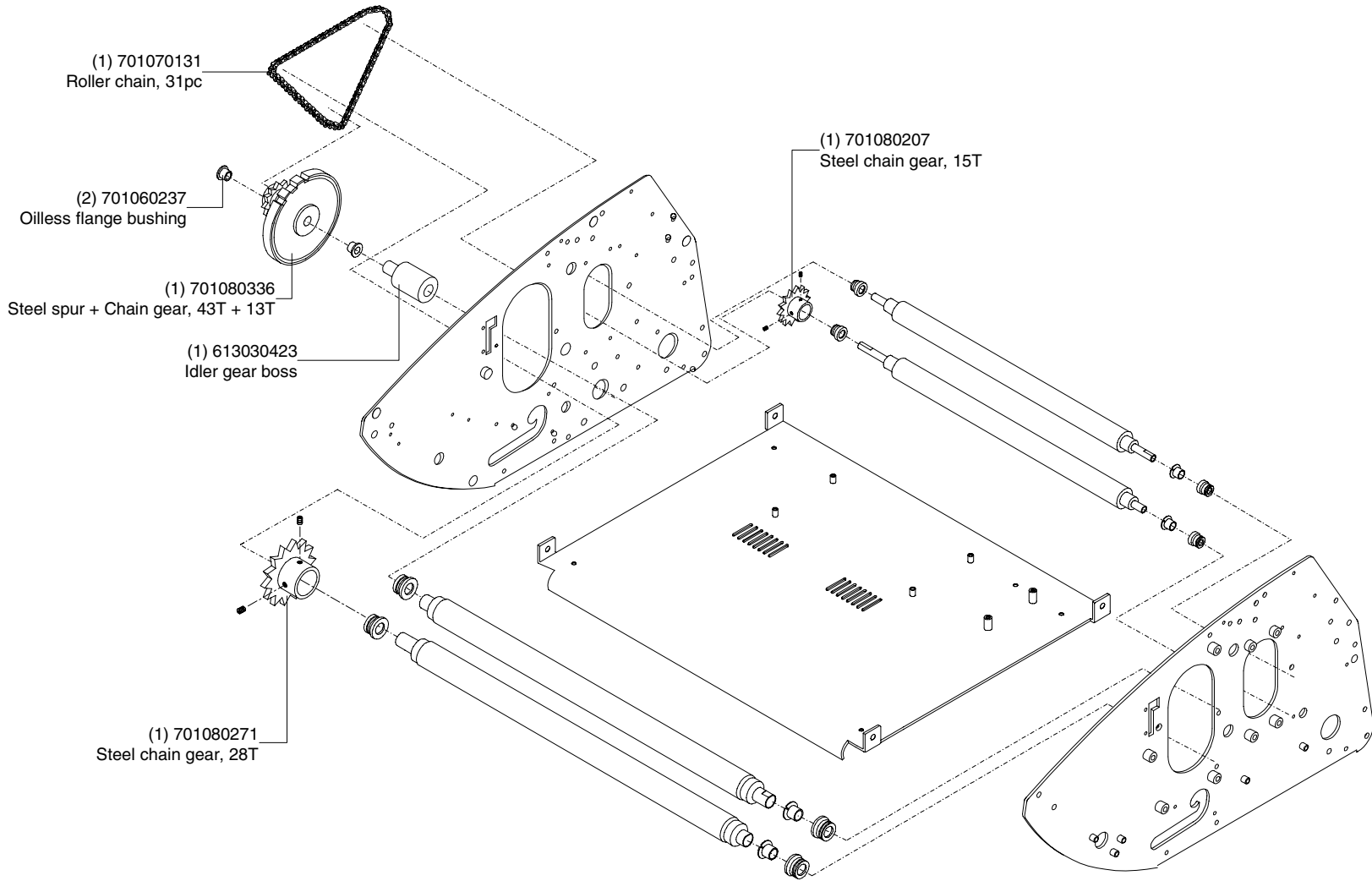
UNLESS OTHERWISE SPECIFIED TOLERANCE			GBC Films Group 4151 Anderson Road, DeForest, WI 53532		
DM. AS SHOWN	TOL.	FINISH TO BE	TITLE : Assembly, Left Side Catena 35		
XX	±.124	112	DATE :	DRAWN BY :	DWG SCALE :
X	±.450		10/11/02	N/A	N/A
XX	±.410		ANGLES		DWG : C35-004
XXX	±.520				
XXXX	±.405				

PROPRIETARY
 GBC PRO/TECH CLAIMS PROPRIETARY RIGHTS TO THE MATERIAL DISCLOSED ON THIS DRAWING. IT IS ISSUED IN CONFIDENCE FOR ENGINEERING INFORMATION ONLY AND SHALL NOT BE REPRODUCED, COPIED OR DISCLOSED IN WHOLE OR IN PART, OR USED FOR MANUFACTURE OR FOR ANY OTHER PURPOSE WITHOUT WRITTEN PERMISSION FROM GBC PRO/TECH.



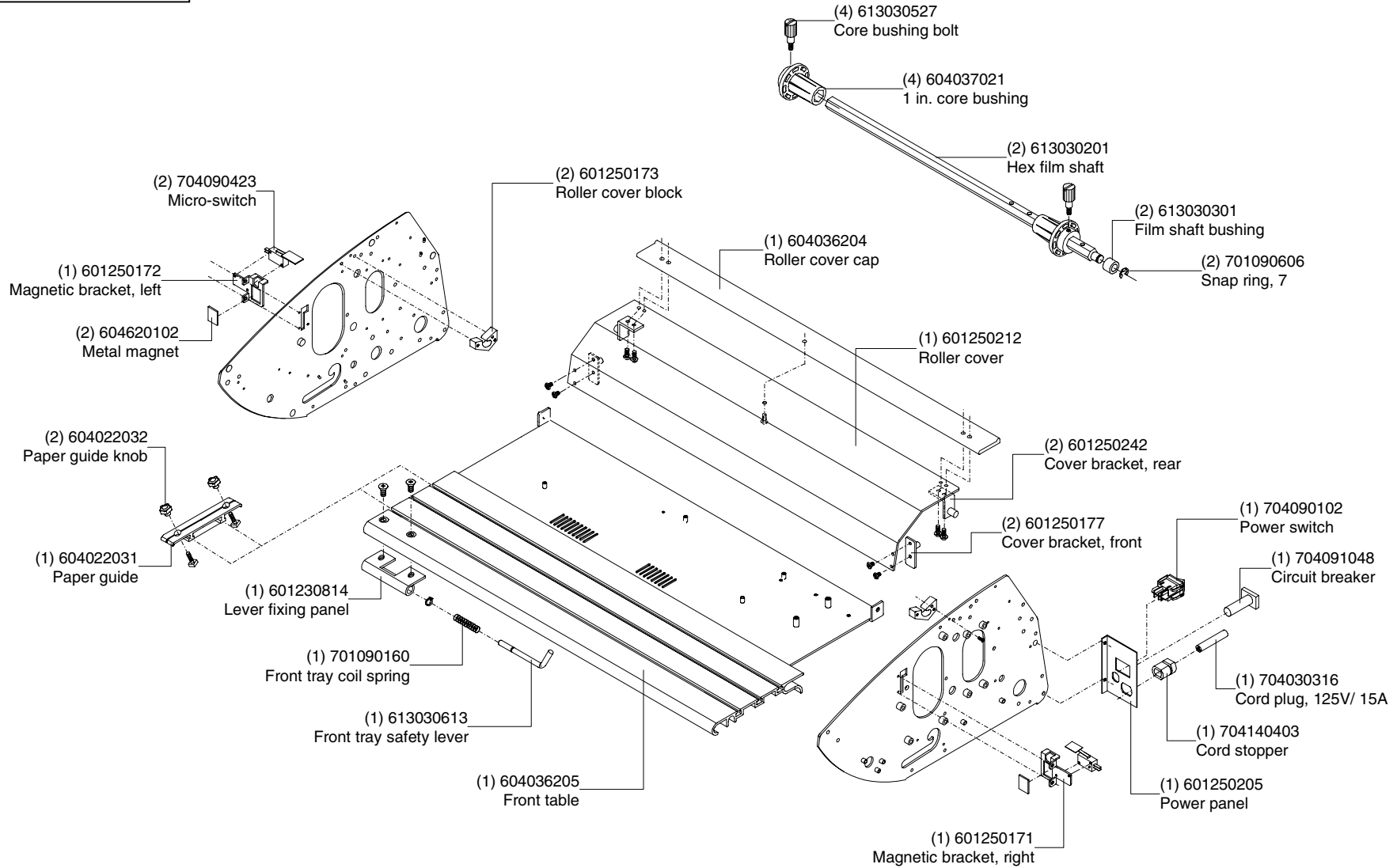
UNLESS OTHERWISE SPECIFIED TOLERANCE				GBC Films Group 4151 Anderson Road, DeForest, WI 53532			
DWG. AS SHOWN	TOL.	FINISH TO BE	125	TITLE: Assembly, Rollers Catena 35			
SIZE	±.584			DATE: 10/11/02			
A	±.050			DRAWN BY: N/A			
XX	±.419			DWG SCALE: N/A			
XXX	±.400	ANGLES		DWG: C35-005			
XXXX	±.405	±.15					

PROPRIETARY
 GBC PRO-TECH CLAIMS PROPRIETARY RIGHTS TO THE MATERIAL DISCLOSED ON THIS DRAWING. IT IS ISSUED IN CONFIDENCE FOR ENGINEERING INFORMATION ONLY AND SHALL NOT BE REPRODUCED, COPIED OR DISCLOSED IN WHOLE OR IN PART, OR USED FOR MANUFACTURE OR FOR ANY OTHER PURPOSE WITHOUT WRITTEN PERMISSION FROM GBC PRO-TECH.



UNLESS OTHERWISE SPECIFIED TOLERANCE			GBC Films Group 4151 Anderson Road, DeForest, WI 53532	
DM, AS SHOWN	TOL.	FINISH TO BE	TITLE: Assembly, Drive Catena 35	
0XX	±.124	115	DATE:	DRAWN BY:
X	±.450		10/11/02	N/A
XX	±.910		DWG SCALE:	DWG:
XXX	±.920	ANGLES		N/A
XXXX	±.905	±.10		C35-006

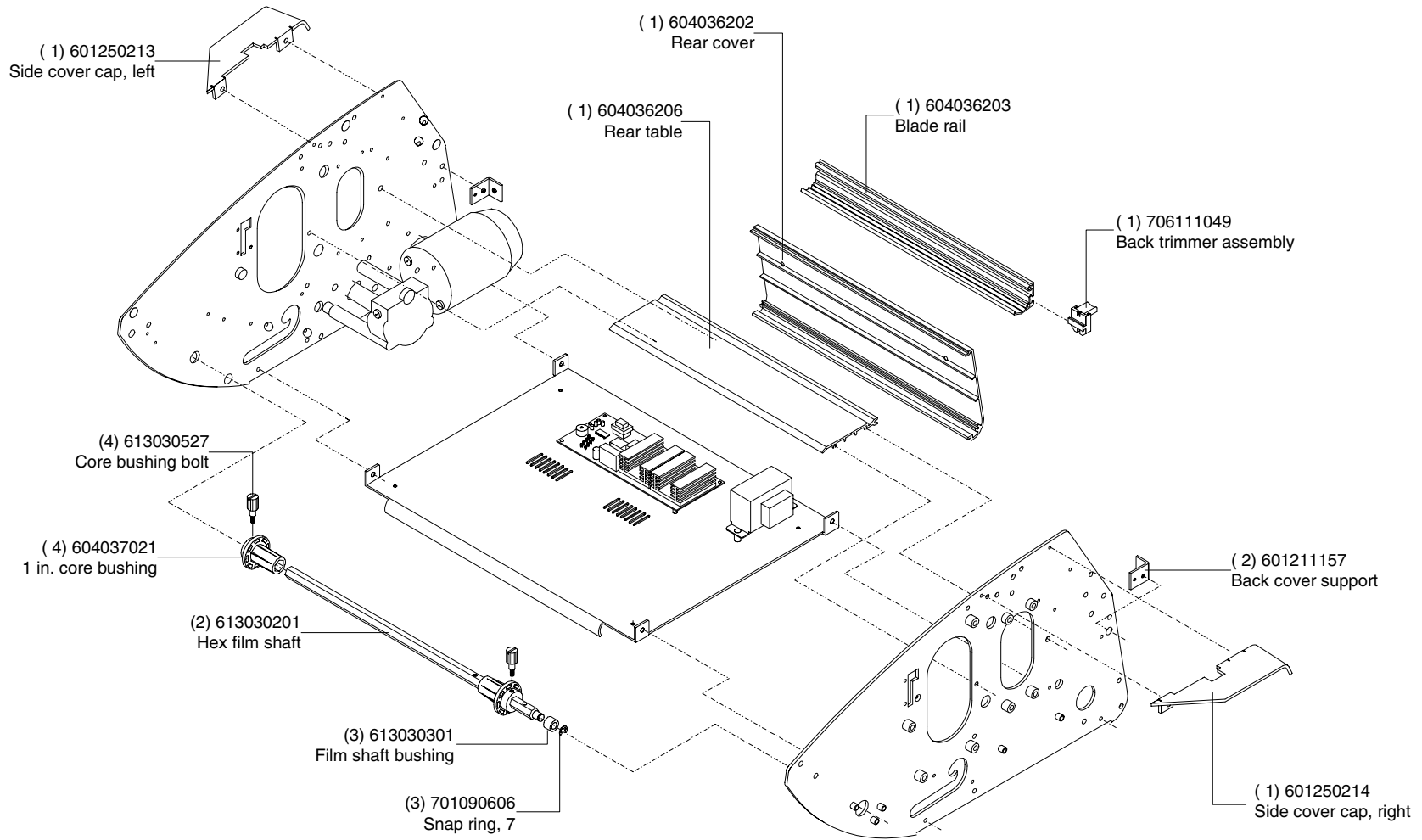
PROPRIETARY
 GBC PRO/TECH CLAIMS PROPRIETARY RIGHTS TO THE MATERIAL DISCLOSED ON THIS DRAWING. IT IS ISSUED IN CONFIDENCE FOR ENGINEERING INFORMATION ONLY AND SHALL NOT BE REPRODUCED, COPIED OR DISCLOSED IN WHOLE OR IN PART, OR USED FOR MANUFACTURE OR FOR ANY OTHER PURPOSE WITHOUT WRITTEN PERMISSION FROM GBC PRO/TECH.



UNLESS OTHERWISE SPECIFIED TOLERANCE				GBC Films Group 4151 Anderson Road, DeForest, WI 53532			
FINISH TO BE	TOL.	FINISH TO BE	DATE:	DRAWN BY:	DWG SCALE:	DWG:	
125	±.004	125	10/11/02	N/A	N/A	C35-007	
XX	±.005						
XXX	±.010						
XXXX	±.015						

TITLE:
 Assembly, Table, Shield, & Upper Unwind
Catena 35






PROPRIETARY
 GBC PRO-TECH CLAIMS PROPRIETARY RIGHTS TO THE MATERIAL DISCLOSED ON THIS DRAWING. IT IS ISSUED IN CONFIDENCE FOR ENGINEERING INFORMATION ONLY AND SHALL NOT BE REPRODUCED, COPIED OR DISCLOSED IN WHOLE OR IN PART, OR USED FOR MANUFACTURE OR FOR ANY OTHER PURPOSE WITHOUT WRITTEN PERMISSION FROM GBC PRO-TECH.

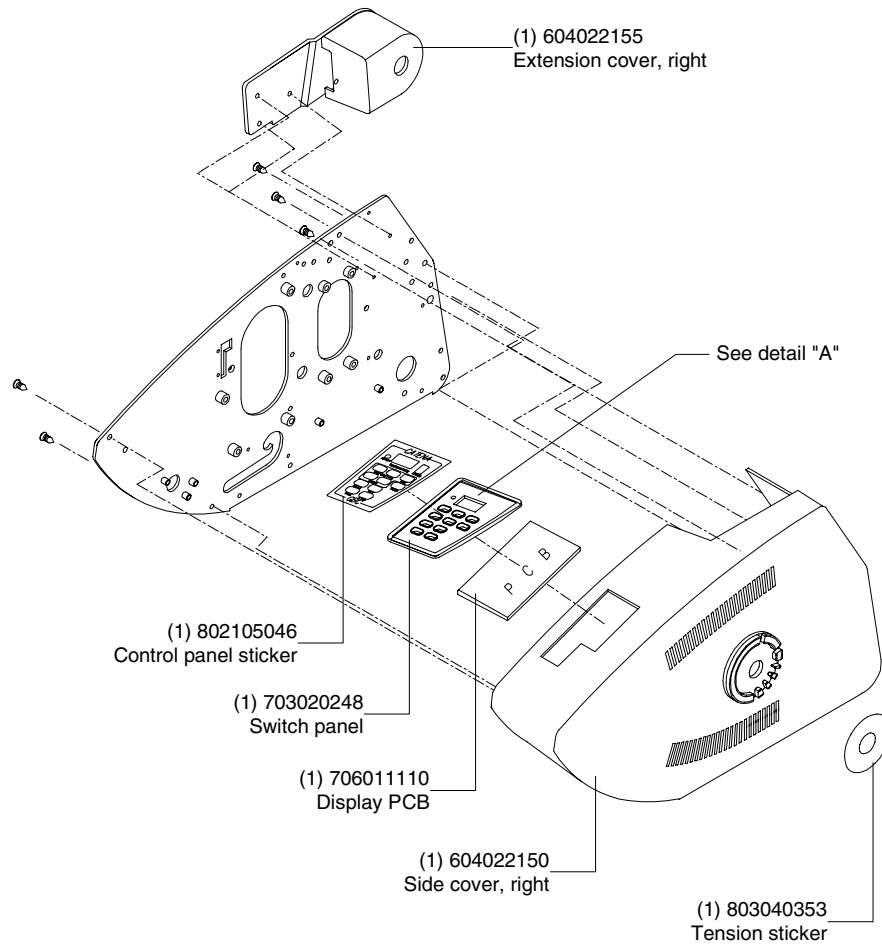
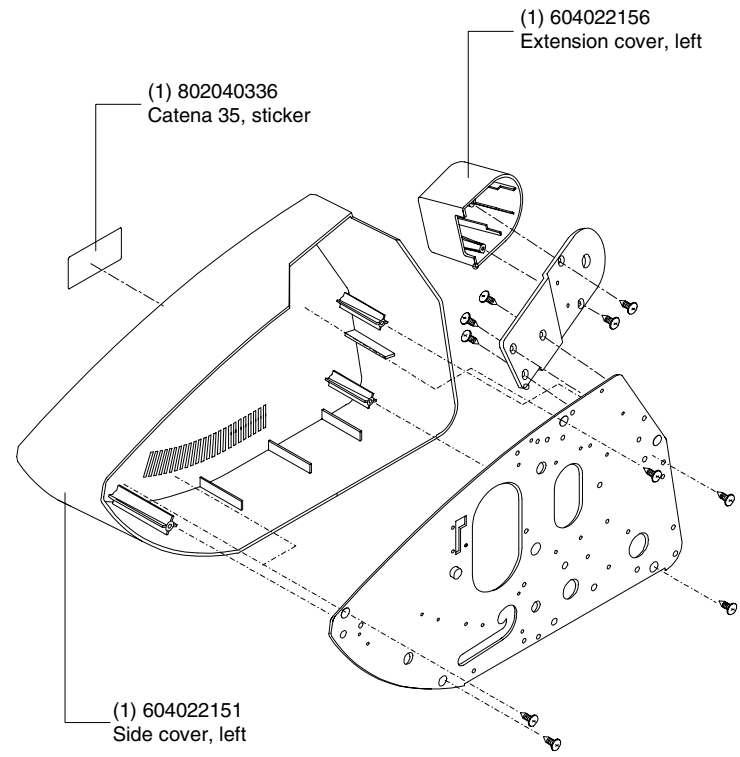


UNLESS OTHERWISE SPECIFIED TOLERANCE			GBC Films Group 4151 Anderson Road, DeForest, WI 53532	
DM, AS SHOWN	TOL.	FINISH TO BE	TITLE: Assembly, Rear Cover & Lower Unwind Catena 35	
XX	±.124	115	DATE:	DRAWN BY:
X	±.450	✓	10/11/02	N/A
XX	±.410		DATE:	DWG SCALE:
XXX	±.520	ANGLES		N/A
XXXX	±.805	±.10		C35-008

PROPRIETARY
 GBC FILMS TECH CLAIMS PROPRIETARY RIGHTS TO THE MATERIAL DISCLOSED ON THIS DRAWING. IT IS ISSUED IN CONFIDENCE. FOR ENGINEERING INFORMATION ONLY AND SHALL NOT BE REPRODUCED, COPIED OR DISCLOSED IN WHOLE OR IN PART, OR USED FOR MANUFACTURE OR FOR ANY OTHER PURPOSE WITHOUT WRITTEN PERMISSION FROM GBC FILMS TECH.

Detail "A"

-  (4) 703020551 UP/ DOWN
-  (1) 703020553 STOP
-  (2) 703020554 RUN/ REV
-  (1) 703020556 MEAS
-  (2) 703020557 HOT/ COLD



UNLESS OTHERWISE SPECIFIED TOLERANCE				GBC Films Group 4151 Anderson Road, DeForest, WI 53532	
DM. AS SHOWN	TOL.	FINISH TO BE	TITLE: Assembly, Cabinets Catena 35		
XIX	±.184	125 ✓	DATE:	DRAWN BY:	DWG SCALE:
X	±.450		10/11/02	N/A	N/A
XX	±.210				C35-009
XXX	±.000	ANGLES			
XXXX	±.005	±1°			