

CATENA 65

DWG #	Code No.	Item Description
8	601211157	Back Cover Support
4	601230501	Eccentric Hook (Left)
3	601230502	Eccentric Hook (Right)
3, 4	601230521	Infrared Heater Support
3, 4	601230525	Nip Roller Hook
3, 4	601230527	Pull Roller Hook
4, 10	601230702	Inner Tension Panel
4	601230708	Tension Block Stopper
3	601230802	Film Shaft Support Panel
7	601230814	Lever Fixing Plate
10	601230819	Motor Support
10	601230834	Spring Cap
7	601250171	Magnetic Bracket (Right)
7	601250172	Magnetic Bracket (Left)
7	601250173	Roller Cover Block
7	601250177	Roller Cover Bracket, Front
1	601250183	PCB Support
1	601250201	Side Plate (Left)
1	601250202	Side Plate (Right)
3, 4	601250203	Heat Roller Support
3, 4	601250204	Pull Roller Support
7	601250205	Power Panel
4	601250206	Outer Tension Plate
4	601250207	J-Channel Cover (Left)
3	601250208	J-Channel Cover (Right)
1	601250209	Extension Plate (Right)
1	601250210	Extension Plate (Left)
1	601250221	Bottom Plate
7	601250222	Roller Cover
8	601250223	Side Cover Cap (Left)
8	601250224	Side Cover Cap (Right)
10	601250235	Outer Tension Plate
2	601250241	Sensor Bracket
7	601250242	PCB Cover Rear Bracket
10	601250243	Rewinder Support (Left)
10	601250244	Rewinder Support (Right)
2	601310508	Micro-Switch Support
9	604022150	Side Cover (Right)
7	604022031	Paper Guide
7	604022032	Paper Guide Knob
9	604022151	Side Cover (Left)
4	604022152	Tension Knob
10	604022153	Rewinder Cover (Left)
10	604022154	Rewinder Cover (Right)
9	604022155	Extension Cover (Right)
9	604022156	Extension Cover (Left)

CATENA 65

DWG #	Code No.	Item Description
2	604036211	Front Cover
8	604036212	Rear Cover
8	604036213	Blade Rail
7	604036214	Roller Cover Cap
7	604036215	Front Table
8	604036216	Rear Table
7, 8	604037021	1 in. Core Bushing
7	604620102	Metal Magnet
5	607040503	Pull Roller
5	607040513	Heat Roller
10	609010116	AC Geared Motor
1	6090202	DC Geared Motor
1	609070102	Cross Fan motor
1	610010211	Transformer, 120/36/1.3
6	613010414	Clutch Shaft
2	613011011	Eccentric Bushing
2	613011012	Eccentric Lever
2	613030121	Front Tray Support Rod
1	613030176	Idler Bar
7	613030202	Unwind Hex Film Shaft
10	613030210	Rewind Hex Film Shaft
7, 8, 10	613030301	Film Shaft Bushing
5	613030304	Heat Roller Bushing
5	613030305	Pull Roller Bushing
2	613030402	Eccentric Shaft
2	613030421	Eccentric Shaft Cap
4	613030422	Tension Adjust Block
6	613030423	Idler Gear Boss
6	613030526	Clutch Spacer Washer
7, 8	613030527	Core Bushing Bolt
4	613030537	Film Tension Bolt
1	613030540	Auxiliary Gear Support Pin
10	613030552	Rewinder Tension Bolt
7	613030613	Front Tray Safety Lever
6	701010103	Ball Bearing, 6803
6	701020203	Thrust Needle Roller Bearing, 1730
10	701020205	Thrust Needle Roller Bearing, 1226
2	701020210	Needle Roller Bearing, 4903
1	701050234	Flange Bushing, 10x8
5	701050239	Flange Bushing, 10x15
5	701050265	Flange Bushing, 30x15
6	701060207	Oilless Flange Bushing
6	701070129	Roller Chain, 29 pc
6	701070135	Roller Chain, 35 pc
1	701080101	Steel Spur Gear, 17T
6	701080207	Steel Chain Gear, 15T

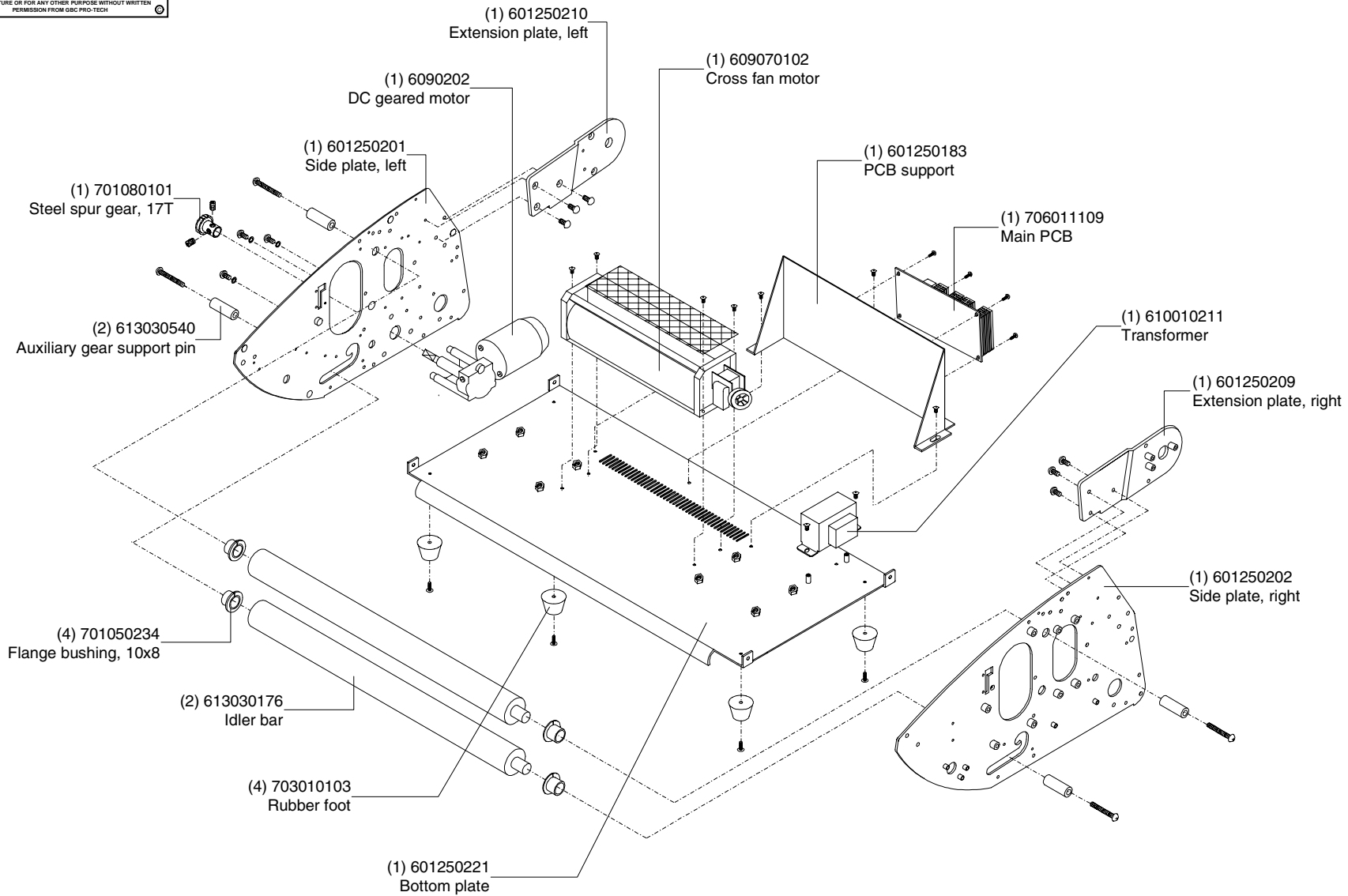
CATENA 65

DWG #	Code No.	Item Description
6	701080230	Steel Chain Gear, 19 T
6	701080271	Steel Chain Gear, 28T
6	701080336	Steel Spur + Chain Gear, 43T+13T
3, 4	701090103	Roller Spring
4, 10	701090142	Film Pipe Spring
3	701090158	Compressed Coil Spring
7	701090160	Front Tray Coil Spring
6	701090508	Flat Tension Spring
7, 8	701090606	Snap Ring, 7
4	701090705	Snap Ring, 10
3, 4	701090710	Snap Ring, 16
2	701090714	Snap Ring, 22
3, 4	701090716	Snap Ring, 40
9	701110105	Nut, M8
6	701110147	Stopper Nut
1	703010103	Rubber Foot
2	703010211	Wire Protection Ring
3, 4	703010332	Holder
10	703020126	Plastic Spur Gear, 36T
10	703020143	Plastic Spur Gear, 57T
9	703020248	Switch Panel
9	703020551	Key, UP/ DOWN
9	703020553	Key, STOP
9	703020554	Key, RUN/ REVERSE
9	703020556	Key, MEASURE
9	703020557	Key, HOT/ COLD
2	703021051	Eccentric Lever Handle
4, 10	703070101	Friction Panel, Leather
6	703070106	Clutch Friction Panel, Urethane
10	703070116	Rewinder "U" Channel Stopper
7	704030316	Cord Plug 125V UL
7	704090102	Power Switch
10	704090111	Rewinder Switch
2	704090411	Micro-Switch, 2
7	704090423	Micro-Switch, 3
7	704091048	Circuit Breaker
7	704140403	Cord Stopper
3	704150101	Bi-Metal Thermostat
2	705200201	Infrared Sensor
1	706011109	Main PCB
9	706011110	Display PCB
5	706025063	Infrared Heater Assembly
8	706111049	Back Trimmer Assembly
-	930084	Operations Manual
9	802040337	Catena 65 Sticker
9	802105046	Control Panel Sticker

CATENA 65

DWG #	Code No.	Item Description
-	803030272	Specification Sticker
-	803040316	Power Sticker
-	803040323	Shaock Hazard Warning Sticker
-	803040325	Sharp Blade Warning Sticker
-	803040326	Pull Roller Warning Sticker
-	803040327	Heat Roller Pinch Point Warning Sticker
-	803040329	Do Not Operate Warning Sticker
9	803040353	Tension Sticker
4	803040421	Unwind Tension Sticker
10	804020403	Paper Core
10	8050112	Core Stopper, 57MM
End of list		

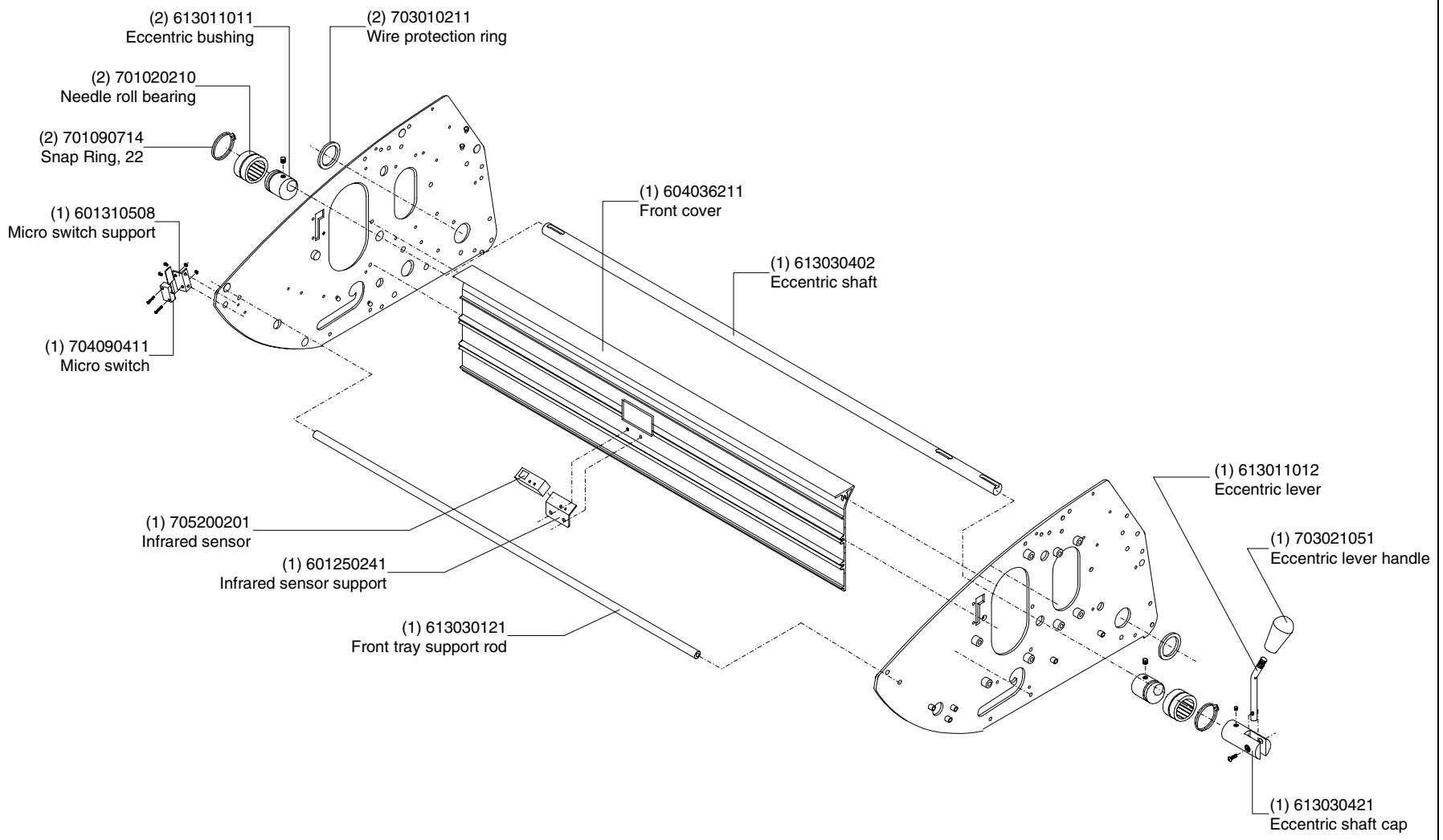
PROPRIETARY
 GBC PRO-TECH CLAIMS PROPRIETARY RIGHTS TO THE MATERIAL DISCLOSED ON THIS DRAWING. IT IS ISSUED IN CONFIDENCE FOR ENGINEERING INFORMATION ONLY AND SHALL NOT BE REPRODUCED, COPIED OR DISCLOSED IN WHOLE OR IN PART, OR USED FOR MANUFACTURE OR FOR ANY OTHER PURPOSE WITHOUT WRITTEN PERMISSION FROM GBC PRO-TECH



This print is the property of GBC Films Group. The information thereon is limited in confidence.

UNLESS OTHERWISE SPECIFIED TOLERANCE			GBC Films Group 4151 Anderson Road, DeForest, WI 53532	
DIM. AS SHOWN	TOL.	FINISH TO BE	TITLE: Assembly, Base Catena 65	
XX	±.184	125	DATE:	DRAWN BY:
X	±.050		10/11/02	N/A
XX	±.010		DWG SCALE:	DWG:
XXX	±.005	ANGLES		C65-001
XXXX	±.005	±.5°		

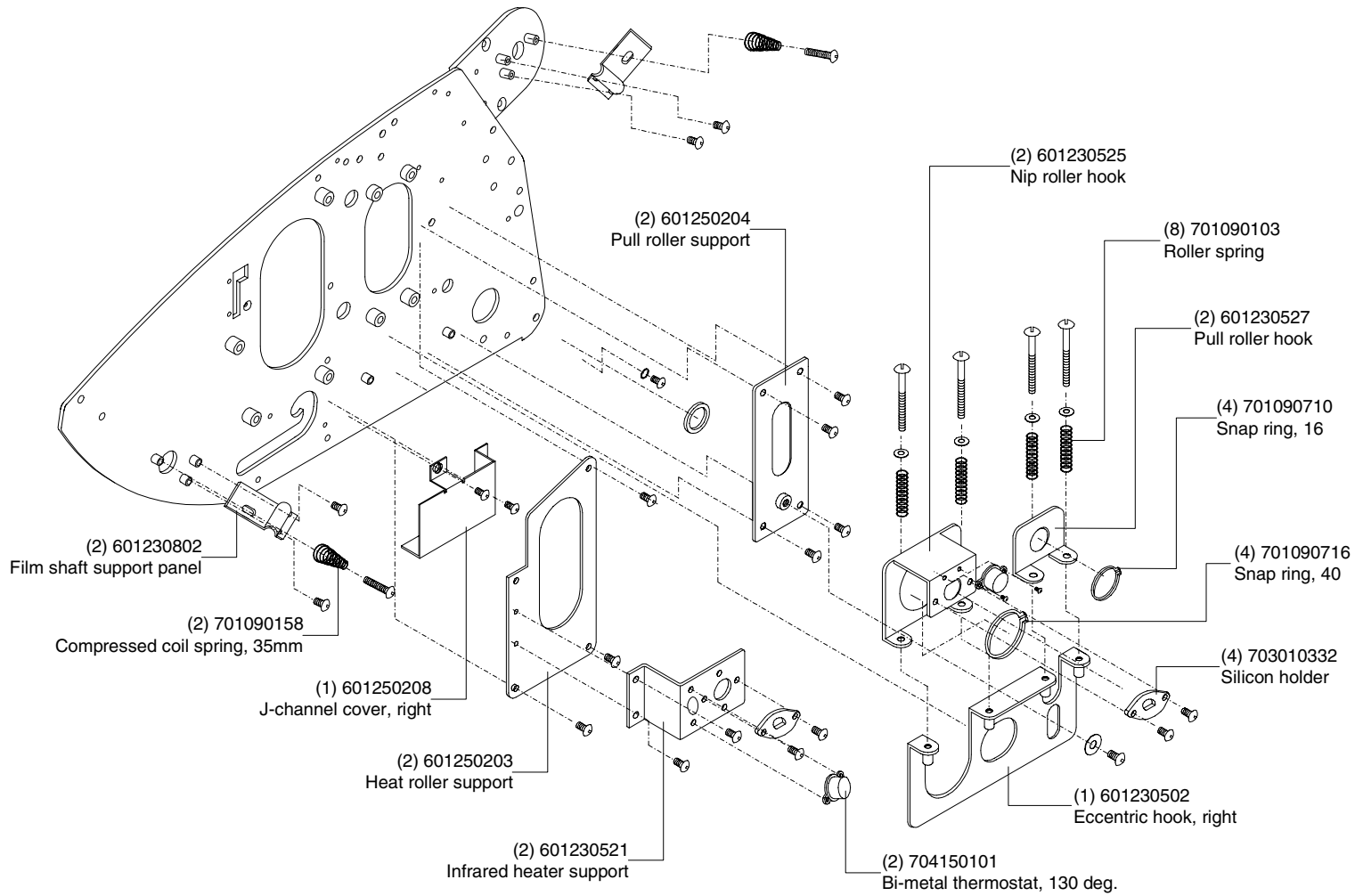
PROPRIETARY
 GBC PRO-TECH CLAIMS PROPRIETARY RIGHTS TO THE MATERIAL DISCLOSED ON THIS DRAWING. IT IS ISSUED IN CONFIDENCE FOR ENGINEERING INFORMATION ONLY AND SHALL NOT BE REPRODUCED, COPIED OR DISCLOSED IN WHOLE OR IN PART, OR USED FOR MANUFACTURE OR FOR ANY OTHER PURPOSES WITHOUT WRITTEN PERMISSION FROM GBC PRO-TECH.



UNLESS OTHERWISE SPECIFIED TOLERANCE				GBC Films Group 4151 Anderson Road, DeForest, WI 53532	
DRG. AS SHOWN	TOL.	FINISH TO BE	TITLE : Assembly, Side Frames Catena 65		
01X	±.184	125 ✓	DATE :	DRAWN BY :	DWG SCALE :
X	±.050		10/11/02	N/A	N/A
XX	±.010				C65-002
XXX	±.020	ANGLES 8:17			
XXXX	±.005				

PROPRIETARY

GBC PRO-TECH CLAIMS PROPRIETARY RIGHTS TO THE MATERIAL DISCLOSED ON THIS DRAWING. IT IS ISSUED IN CONFIDENCE FOR ENGINEERING INFORMATION ONLY AND SHALL NOT BE REPRODUCED, COPIED OR DISCLOSED IN WHOLE OR IN PART, OR USED FOR MANUFACTURE OR FOR ANY OTHER PURPOSES WITHOUT WRITTEN PERMISSION FROM GBC PRO-TECH

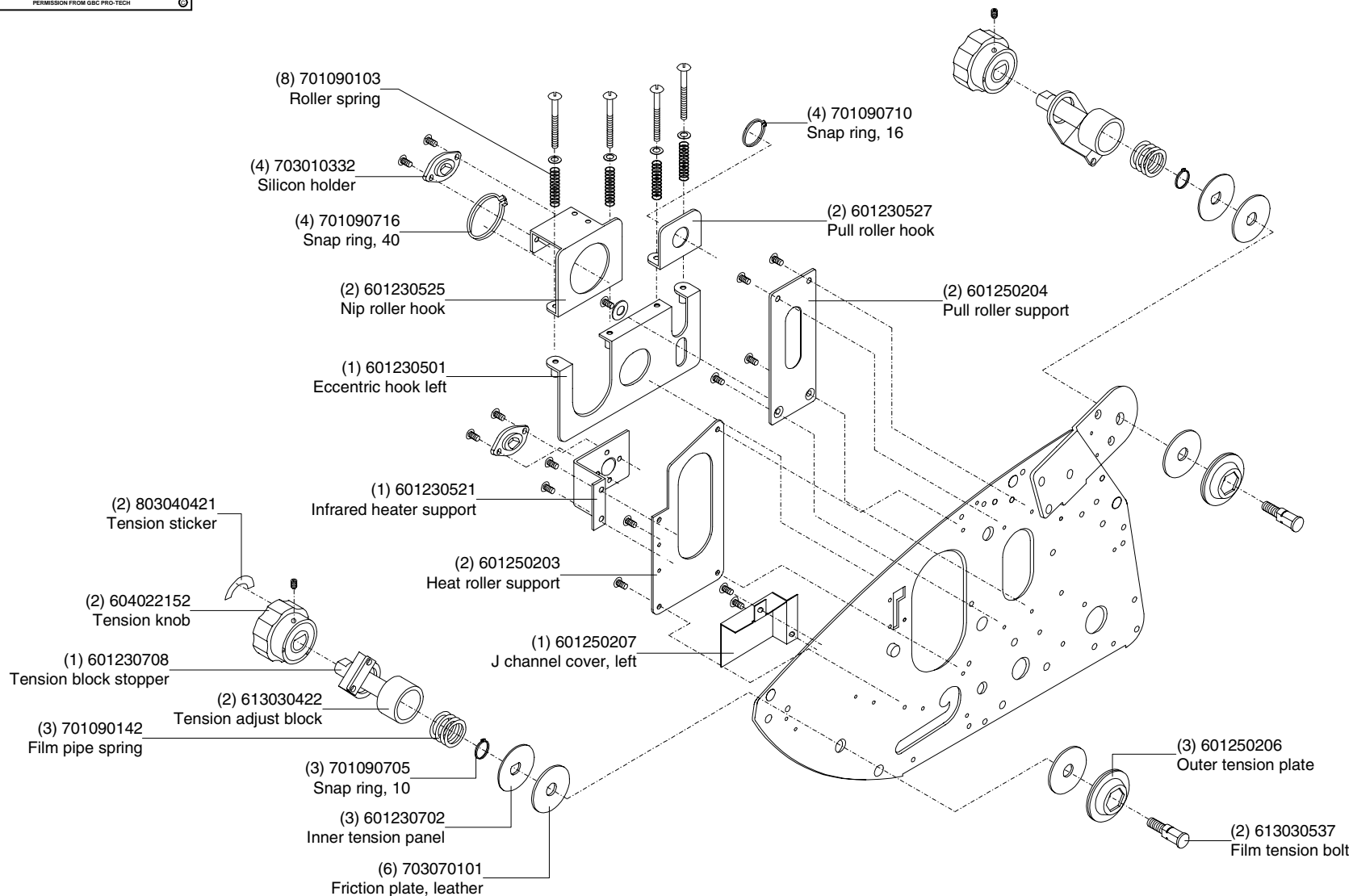


This print is the property of GBC Films Group. The information thereon is rendered in confidence.

UNLESS OTHERWISE SPECIFIED TOLERANCE				GBC Films Group 4151 Anderson Road, DeForest, WI 53532	
DM. AS SHOWN	TOL.	FINISH TO BE	TITLE : Assembly, Right Side Catena 65		
XX	±.184	125	DATE:	DRAWN BY:	DWG SCALE:
X	±.050		10/11/02	N/A	N/A
XX	±.010		ANGLES		DWG : C65-003
XXX	±.000		±.1°		
XXXX	±.005				

PROPRIETARY

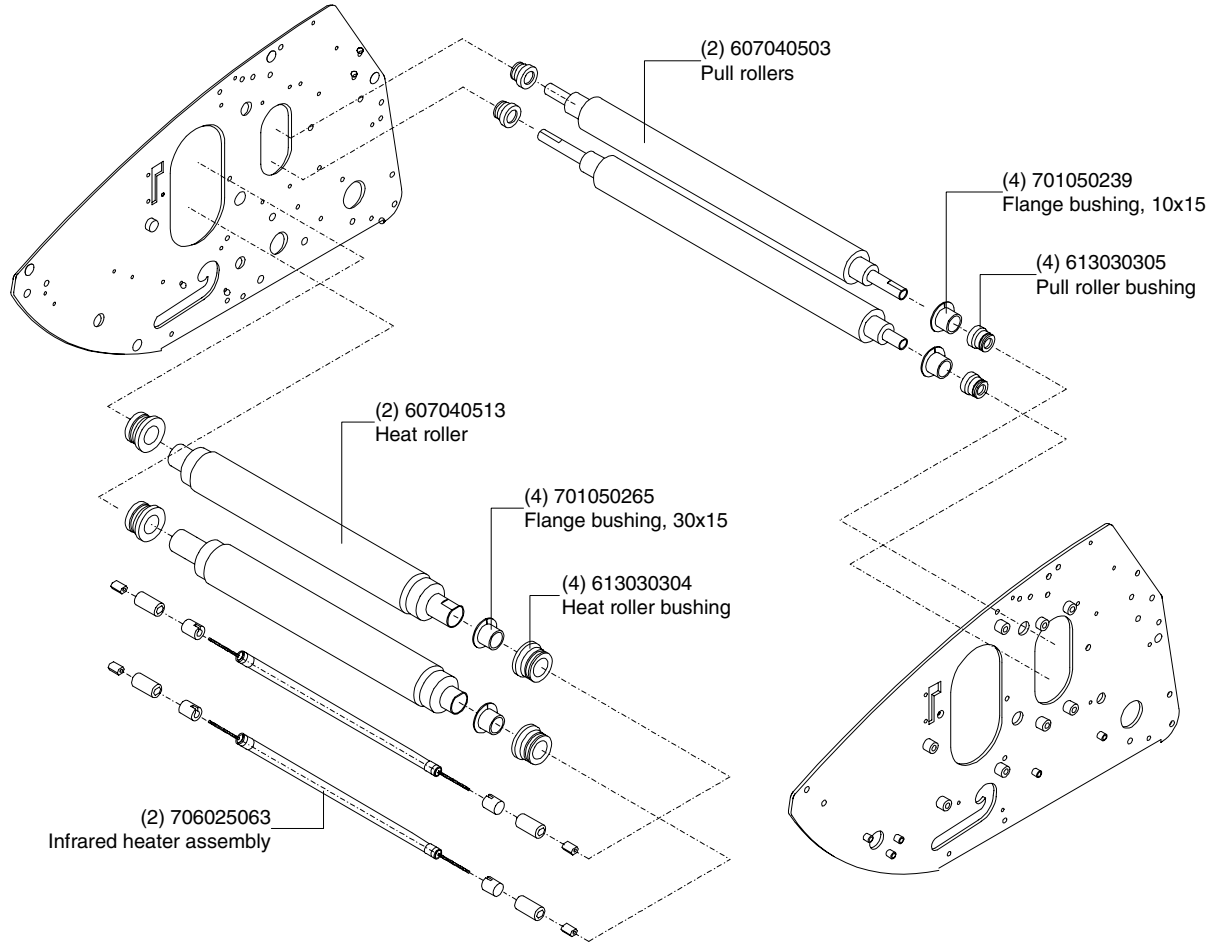
GBC PRO/TECH CLAIMS PROPRIETARY RIGHTS TO THE MATERIAL DISCLOSED ON THIS DRAWING. IT IS ISSUED IN CONFIDENCE FOR ENGINEERING INFORMATION ONLY AND SHALL NOT BE REPRODUCED, COPIED OR DISCLOSED IN WHOLE OR IN PART, OR USED FOR MANUFACTURE OR FOR ANY OTHER PURPOSE WITHOUT WRITTEN PERMISSION FROM GBC PRO/TECH.



UNLESS OTHERWISE SPECIFIED TOLERANCE			GBC Films Group 4151 Anderson Road, DeForest, WI 53532		
DIM. AS SHOWN	TOL.	FINISH TO BE	TITLE: Assembly, Left Side Catena 65		
SIZE	±.004	125 ✓	DATE:	DRAWN BY:	DWG SCALE:
A	±.005		10/11/02	N/A	N/A
XX	±.010		ANGLES	DWG :	C65-004
XXX	±.020				
XXXX	±.065				

PROPRIETARY

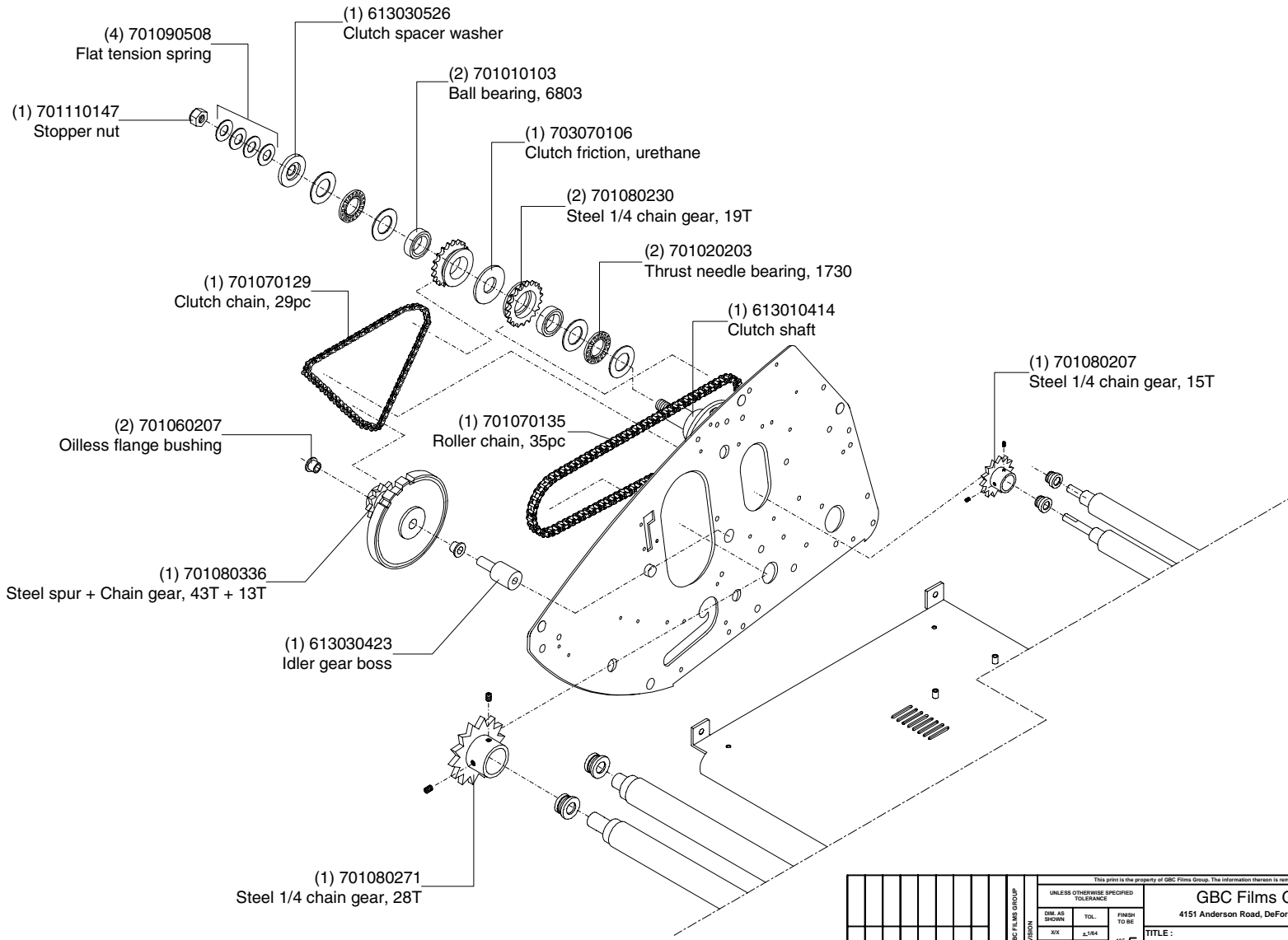
GBC FILM TECH CLAIMS PROPRIETARY RIGHTS TO THE MATERIAL DISCLOSED ON THIS DRAWING. IT IS ISSUED IN CONFIDENCE FOR ENGINEERING INFORMATION ONLY AND SHALL NOT BE REPRODUCED, COPIED OR DISCLOSED IN WHOLE OR IN PART, OR USED FOR MANUFACTURE OR FOR ANY OTHER PURPOSE WITHOUT WRITTEN PERMISSION FROM GBC FILM TECH.



This print is the property of GBC Films Group. The information thereon is limited in confidence.

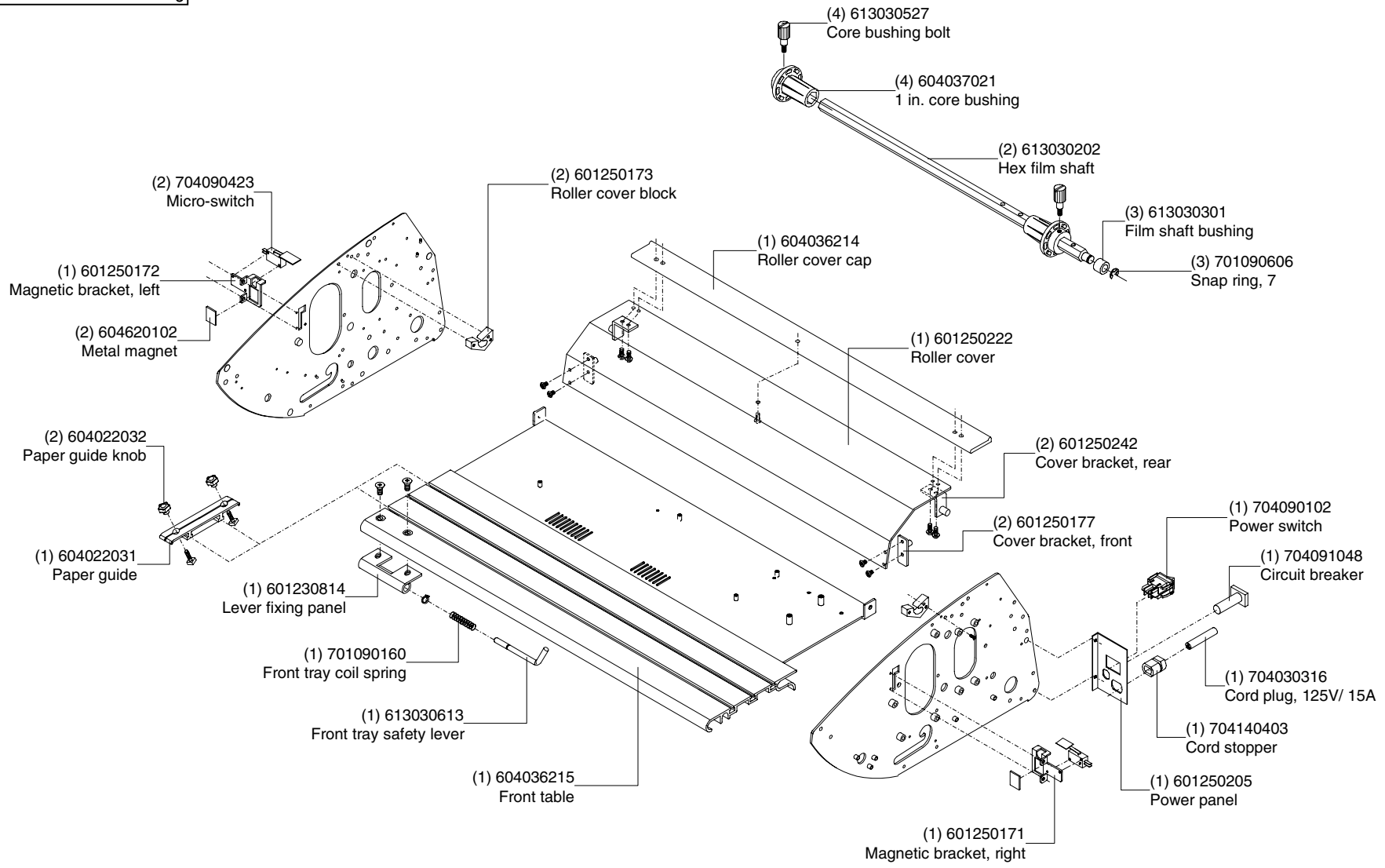
UNLESS OTHERWISE SPECIFIED TOLERANCE			GBC Films Group 4151 Anderson Road, DeForest, WI 53532	
DIM. AS SHOWN	TOL.	FINISH TO BE	TITLE: Assembly, Rollers Catena 65	
XX	±.184	125 √	DATE:	DRAWN BY:
X	±.250		10/11/02	N/A
XX	±.316		DWG SCALE:	N/A
XXX	±.429		ANGLES	±.15
XXXX	±.605			C65-005

PROPRIETARY
 GBC PRO-TECH CLAIMS PROPRIETARY RIGHTS TO THE MATERIAL DISCLOSED ON THIS DRAWING. IT IS ISSUED IN CONFIDENCE FOR ENGINEERING INFORMATION ONLY AND SHALL NOT BE REPRODUCED, COPIED OR DISCLOSED IN WHOLE OR IN PART, OR USED FOR MANUFACTURE OR FOR ANY OTHER PURPOSE WITHOUT WRITTEN PERMISSION FROM GBC PRO-TECH.



UNLESS OTHERWISE SPECIFIED TOLERANCE				GBC Films Group 4151 Anderson Road, DeForest, WI 53532	
DM. AS SHOWN	TOL.	FINISH TO BE	125	TITLE: Assembly, Clutch & Drive Catena 65	
XX	±.184			DATE:	DRAWN BY:
X	±.050			10/11/02	N/A
XX	±.010			DWG SCALE:	DWG:
XXX	±.020	ANGLES		N/A	N/A
XXXX	±.005	±1°		C65-006	

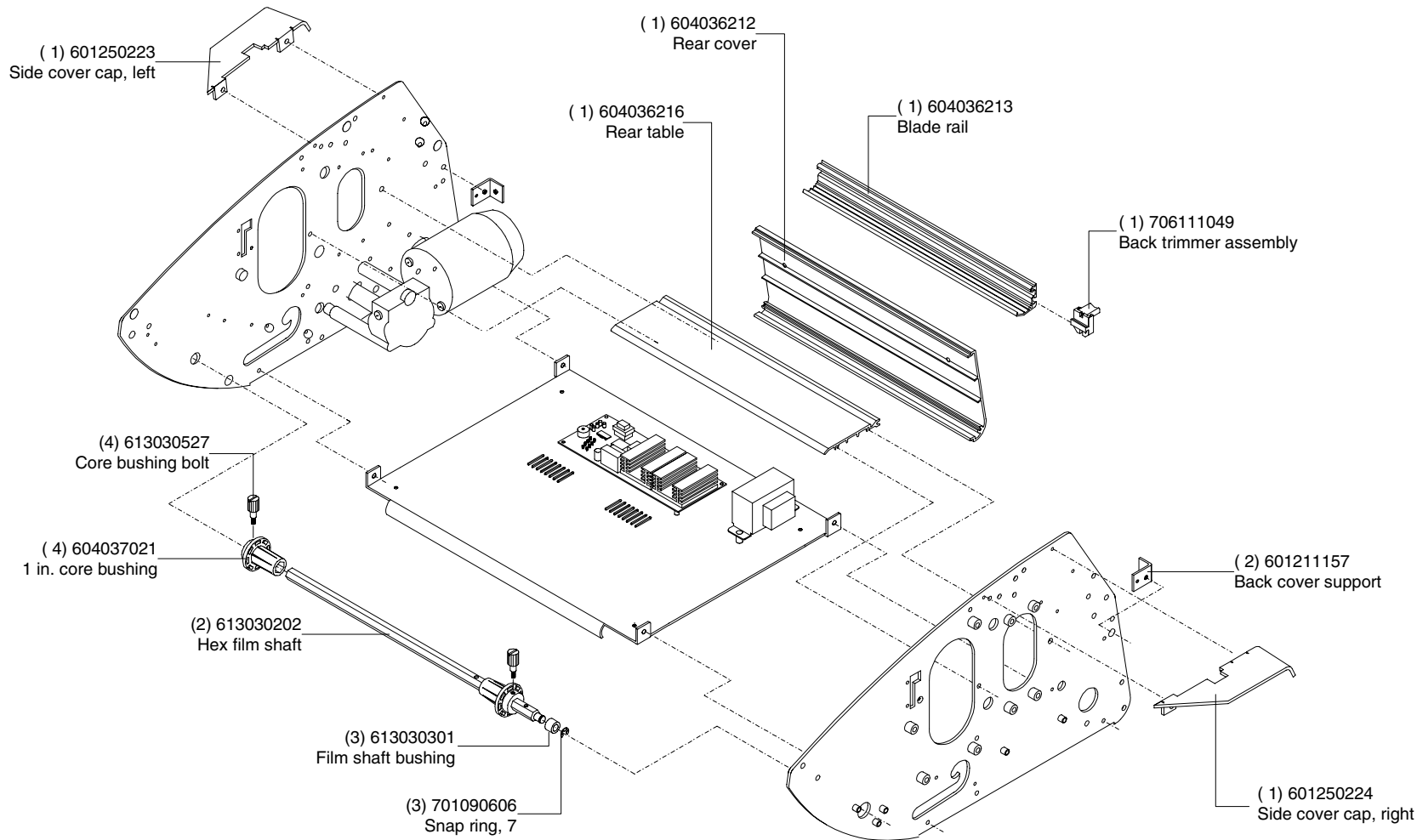
PROPRIETARY
 GBC PRO/TECH CLAIMS PROPRIETARY RIGHTS TO THE MATERIAL DISCLOSED ON THIS DRAWING. IT IS ISSUED IN CONFIDENCE FOR ENGINEERING INFORMATION ONLY AND SHALL NOT BE REPRODUCED, COPIED OR DISCLOSED IN WHOLE OR IN PART, OR USED FOR MANUFACTURE OR FOR ANY OTHER PURPOSE WITHOUT WRITTEN PERMISSION FROM GBC PRO/TECH.



This print is the property of GBC Films Group. The information thereon is restricted in confidence.






CHECKED BY: GBC FILMS GROUP		UNLESS OTHERWISE SPECIFIED TOLERANCE			GBC Films Group	
		DIM. AS SHOWN	TOL.	FINISH TO BE	4151 Anderson Road, DeForest, WI 53532	
REVISION	XXX	±.184	125	TITLE: Assembly, Table, Shield, & Upper Unwind Catena 65		
	X	±.250		DATE: 10/11/02		
	XX	±.316		DRAWN BY: N/A		
	XXX	±.429		DWG SCALE: N/A		
	XXXX	±.605		ANGLES: 125		
			DWG: C65-007			

PROPRIETARY
 GBC PRO/TECH CLAIMS PROPRIETARY RIGHTS TO THE MATERIAL DISCLOSED ON THIS DRAWING. IT IS ISSUED IN CONFIDENCE FOR ENGINEERING INFORMATION ONLY AND SHALL NOT BE REPRODUCED, COPIED OR DISCLOSED IN WHOLE OR IN PART, OR USED FOR MANUFACTURE OR FOR ANY OTHER PURPOSE WITHOUT WRITTEN PERMISSION FROM GBC PRO/TECH

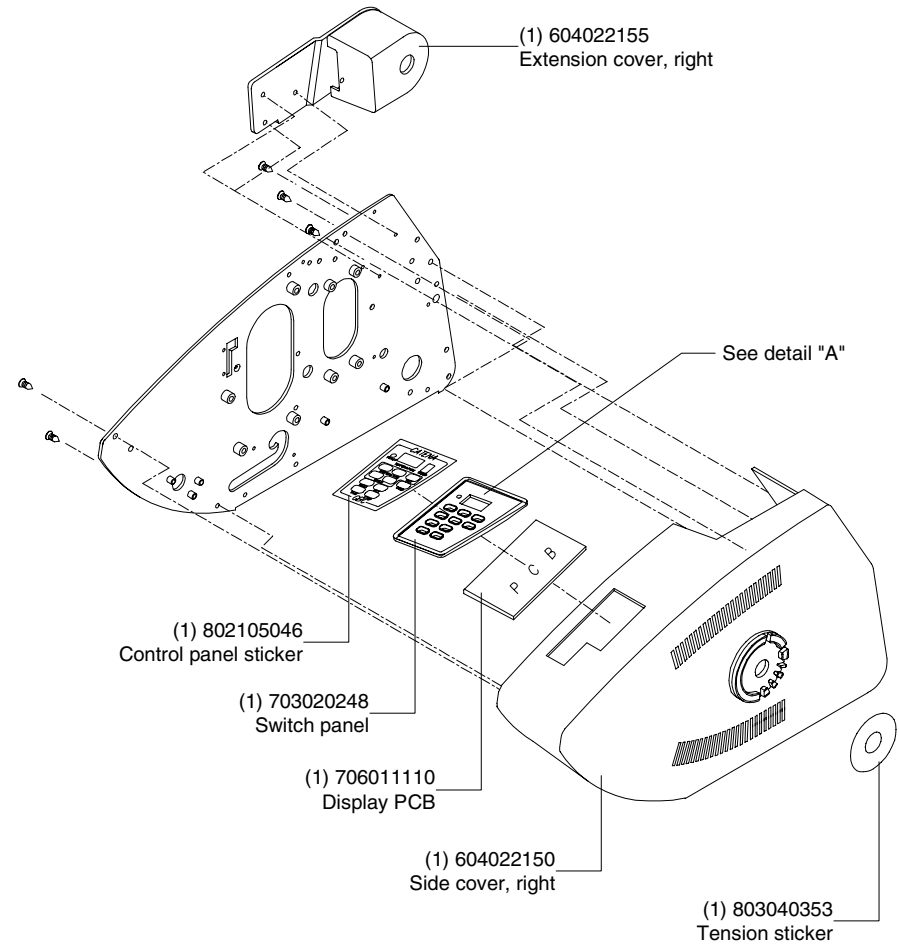
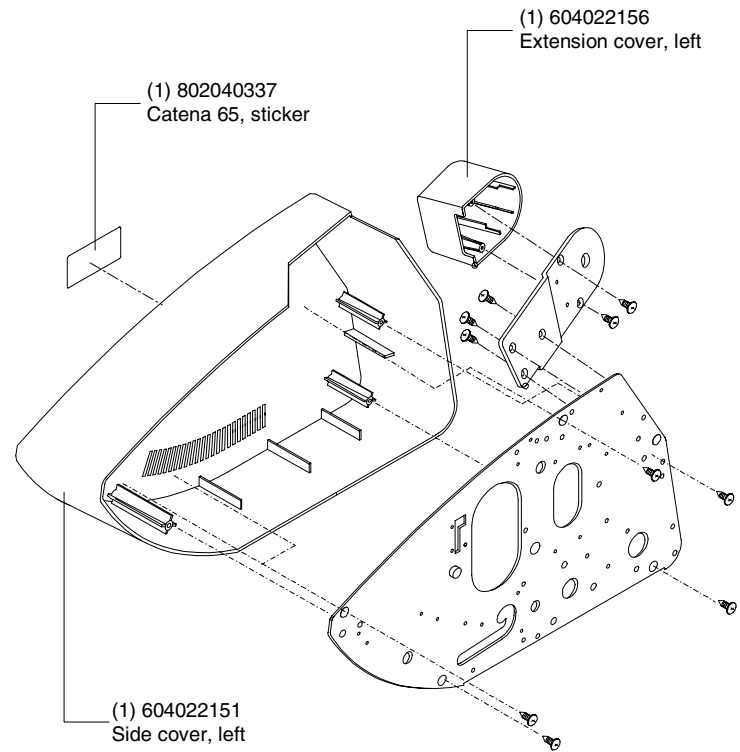


UNLESS OTHERWISE SPECIFIED TOLERANCE			GBC Films Group 4151 Anderson Road, DeForest, WI 53532	
DWG. AS SHOWN	TOL.	FINISH TO BE	TITLE: Assembly, Rear Cover & Lower Unwind Catena 65	
SIZE	±.184	125 ✓	DATE:	DRAWN BY:
A	±.050		10/11/02	N/A
XX	±.010		DWG SCALE:	N/A
XXX	±.020	ANGLES		DWG: C65-008
XXXX	±.005	±.15		

PROPRIETARY
 GBC PRO-TECH CLAIMS PROPRIETARY RIGHTS TO THE MATERIAL DISCLOSED ON THIS DRAWING. IT IS ISSUED IN CONFIDENCE FOR ENGINEERING INFORMATION ONLY AND SHALL NOT BE REPRODUCED, COPIED OR DISCLOSED IN WHOLE OR IN PART, OR USED FOR MANUFACTURE OR FOR ANY OTHER PURPOSE WITHOUT WRITTEN PERMISSION FROM GBC PRO-TECH.

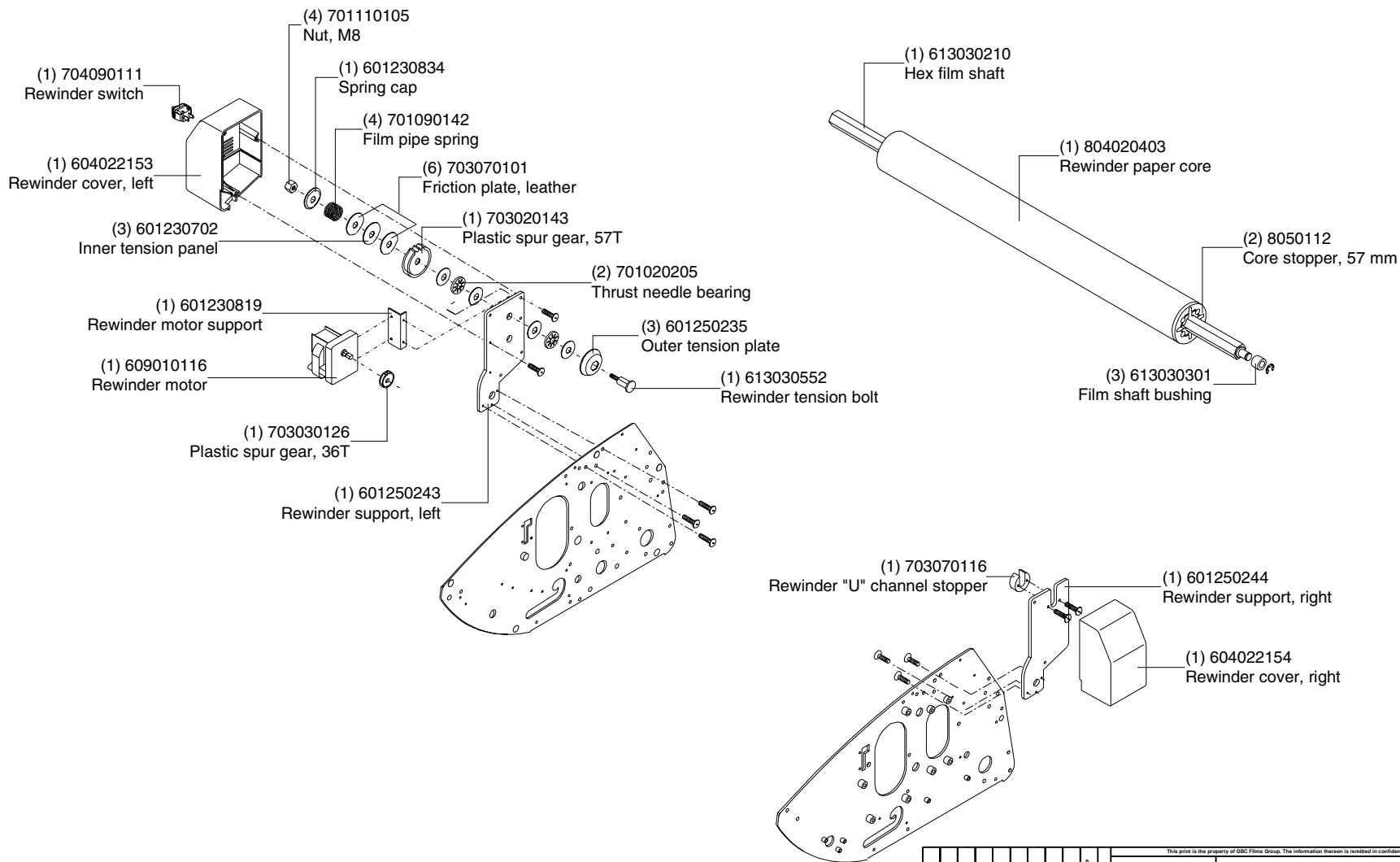
-  (4) 703020551 UP/ DOWN
-  (1) 703020553 STOP
-  (2) 703020554 RUN/ REV
-  (1) 703020556 MEAS
-  (2) 703020557 HOT/ COLD

Detail "A"



UNLESS OTHERWISE SPECIFIED TOLERANCE			FINISH TO BE		TITLE :	DATE :		
DIM. AS SHOWN	TOL.	FINISH	TO BE	DATE		DRAWN BY :	DWG SCALE :	DWG :
XX	±.164	125	✓	10/11/02	N/A	N/A	C65-009	
X	±.050							
XX	±.010							
XXX	±.020							
XXXX	±.005							

PROPRIETARY
 GBC PRO-TECH CLAIMS PROPRIETARY RIGHTS TO THE MATERIAL DISCLOSED ON THIS DRAWING. IT IS ISSUED IN CONFIDENCE FOR ENGINEERING INFORMATION ONLY AND SHALL NOT BE REPRODUCED, COPIED OR DISCLOSED IN WHOLE OR IN PART, OR USED FOR MANUFACTURE OR FOR ANY OTHER PURPOSE WITHOUT WRITTEN PERMISSION FROM GBC PRO-TECH.



UNLESS OTHERWISE SPECIFIED TOLERANCE			FINISH TO BE		
DIM. AS SHOWN	TOL.		125	✓	
XXX	±.004				
X	±.005				
XX	±.010				
XXX	±.020				
XXXX	±.005				
CHECKED BY: GBC FILMS GROUP			DATE: 10/11/02		
REVISION			DRAWN BY: N/A		
UNLESS OTHERWISE SPECIFIED TOLERANCE			DWG SCALE: N/A		
GBC Films Group			DWG: C65-010		
4151 Anderson Road, DeForest, WI 53532			TITLE: Assembly, Rewind		
			Catena 65		