
Digital Feeder
Illustrated Parts Booklet
(7302000)

© GBC Films Group, July 2000
Do not duplicate without written permission

Booklet #: DFPB001A

GBC Films Group
4151 Anderson Road
DeForest, WI 53532
Ph: (608) 246 - 8844
Fx: (608) 246 - 8645

Links to Content

Drawing number :	Drawing Title:	Page number:
DF - 001	Assembly view	1 - 1
DF - 002	Feed head unit mounting hardware	1 - 2
DF - 003	Sheet stack limit brackets	1 - 3
DF - 004	Sheet stack feed guides	1 - 4
DF - 005	Stack feed idler, stack limit bracket supports and table supports	1 - 5
DF - 006	Table lift assembly	1 - 6
DF - 007	Table and covers	1 - 7
DF - 008	Feed head unit assembly	1 - 8
DF - 009	Feed head unit push rod	1 - 9
DF - 010	Feed head unit drive assembly	1 - 10
DF - 011	Conveyor covers	1 - 11
DF - 012	Conveyor idlers	1 - 12
DF - 013	Conveyor drive assembly	1 - 13
DF - 014	Conveyor motor detail	1 - 14
DF - 015	Sheet guide assembly	1 - 15

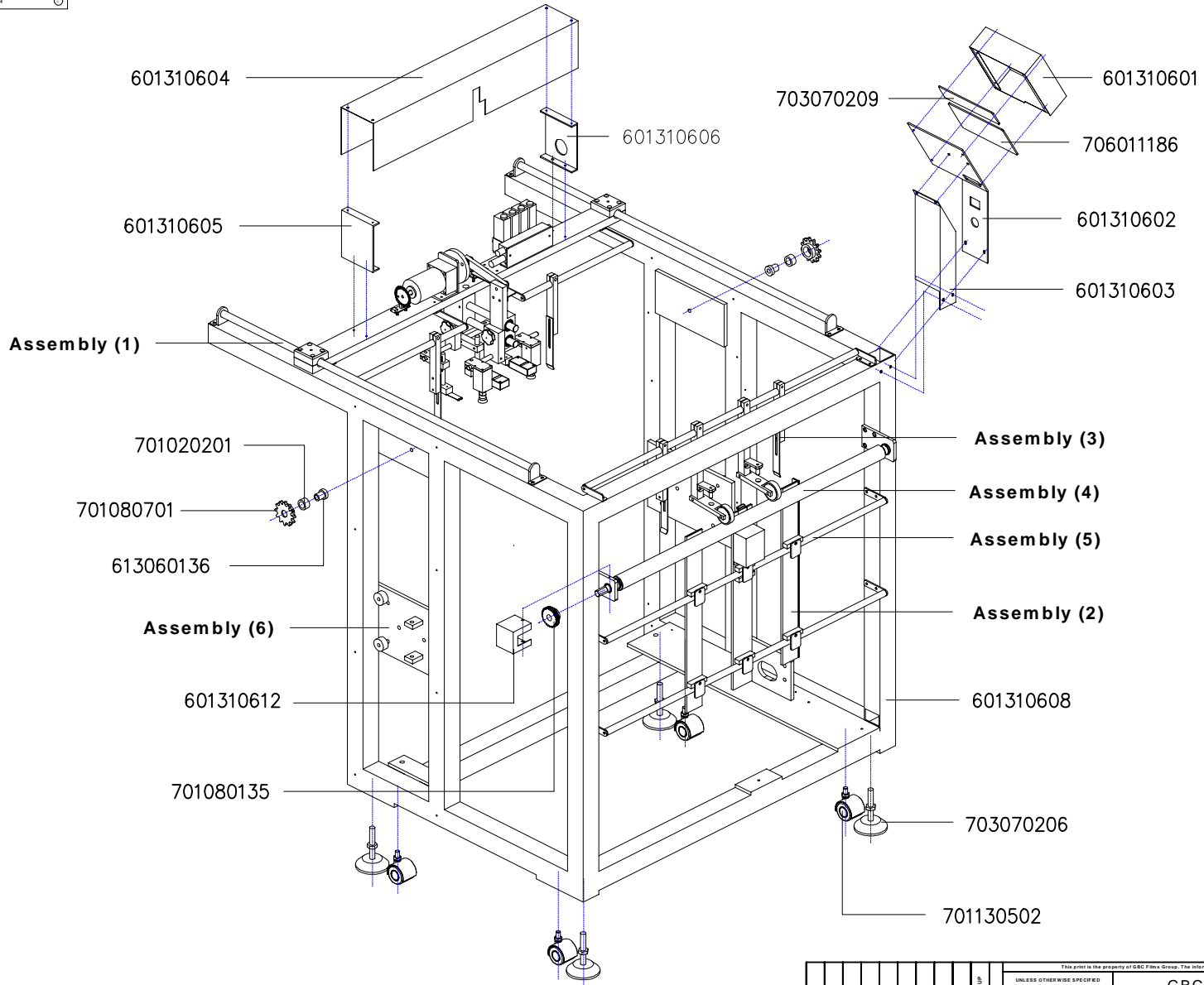
Drawing number :

Drawing Title:

Page number:

This page intentionally left blank.

PROPRIETARY
 GBC PRO-TECH CLAIMS PROPRIETARY RIGHTS TO THE MATERIAL DISCLOSED ON THIS DRAWING. IT IS ISSUED IN CONFIDENCE FOR ENGINEERING INFORMATION ONLY AND SHALL NOT BE REPRODUCED, COPIED OR DISCLOSED IN WHOLE OR IN PART, OR USED FOR MANUFACTURE OR FOR ANY OTHER PURPOSE WITHOUT WRITTEN PERMISSION FROM GBC PRO-TECH



UNLESS OTHERWISE SPECIFIED TOLERANCE				FINISH TO BE				ANGLES					
DM	AS	TOL.											
XX		±.154											
X		±.059											
XX		±.019											
XXX		±.020											
XXXX		±.005											

GBC FILMS GROUP				UNLESS OTHERWISE SPECIFIED TOLERANCE				FINISH TO BE				ANGLES			
DM	AS	TOL.													
XX		±.154													
X		±.059													
XX		±.019													
XXX		±.020													
XXXX		±.005													

GBC FILMS GROUP				UNLESS OTHERWISE SPECIFIED TOLERANCE				FINISH TO BE				ANGLES			
DM	AS	TOL.													
XX		±.154													
X		±.059													
XX		±.019													
XXX		±.020													
XXXX		±.005													

GBC FILMS GROUP				UNLESS OTHERWISE SPECIFIED TOLERANCE				FINISH TO BE				ANGLES			
DM	AS	TOL.													
XX		±.154													
X		±.059													
XX		±.019													
XXX		±.020													
XXXX		±.005													

GBC FILMS GROUP				UNLESS OTHERWISE SPECIFIED TOLERANCE				FINISH TO BE				ANGLES			
DM	AS	TOL.													
XX		±.154													
X		±.059													
XX		±.019													
XXX		±.020													
XXXX		±.005													

GBC FILMS GROUP				UNLESS OTHERWISE SPECIFIED TOLERANCE				FINISH TO BE				ANGLES			
DM	AS	TOL.													
XX		±.154													
X		±.059													
XX		±.019													
XXX		±.020													
XXXX		±.005													

GBC FILMS GROUP				UNLESS OTHERWISE SPECIFIED TOLERANCE				FINISH TO BE				ANGLES			
DM	AS	TOL.													
XX		±.154													
X		±.059													
XX		±.019													
XXX		±.020													
XXXX		±.005													

GBC FILMS GROUP				UNLESS OTHERWISE SPECIFIED TOLERANCE				FINISH TO BE				ANGLES			
DM	AS	TOL.													
XX		±.154													
X		±.059													
XX		±.019													
XXX		±.020													
XXXX		±.005													

GBC FILMS GROUP				UNLESS OTHERWISE SPECIFIED TOLERANCE				FINISH TO BE				ANGLES			
DM	AS	TOL.													
XX		±.154													
X		±.059													
XX		±.019													
XXX		±.020													
XXXX		±.005													

GBC FILMS GROUP				UNLESS OTHERWISE SPECIFIED TOLERANCE				FINISH TO BE				ANGLES			
DM	AS	TOL.													
XX		±.154													
X		±.059													
XX		±.019													
XXX		±.020													
XXXX		±.005													

GBC FILMS GROUP				UNLESS OTHERWISE SPECIFIED TOLERANCE				FINISH TO BE				ANGLES			
DM	AS	TOL.													
XX		±.154													
X		±.059													
XX		±.019													
XXX		±.020													
XXXX		±.005													

GBC FILMS GROUP				UNLESS OTHERWISE SPECIFIED TOLERANCE				FINISH TO BE				ANGLES			
DM	AS	TOL.													
XX		±.154													
X		±.059													
XX		±.019													
XXX		±.020													
XXXX		±.005													

GBC FILMS GROUP				UNLESS OTHERWISE SPECIFIED TOLERANCE				FINISH TO BE				ANGLES			
DM	AS	TOL.													
XX		±.154													
X		±.059													
XX		±.019													
XXX		±.020													
XXXX		±.005													

GBC FILMS GROUP				UNLESS OTHERWISE SPECIFIED TOLERANCE				FINISH TO BE				ANGLES			
DM	AS	TOL.													
XX		±.154													
X		±.059													
XX		±.019													
XXX		±.020													
XXXX		±.005													

GBC FILMS GROUP				UNLESS OTHERWISE SPECIFIED TOLERANCE				FINISH TO BE				ANGLES			
DM	AS	TOL.													
XX		±.154													
X		±.059													
XX		±.019													
XXX		±.020													
XXXX		±.005													

GBC FILMS GROUP				UNLESS OTHERWISE SPECIFIED TOLERANCE				FINISH TO BE				ANGLES			
DM	AS	TOL.													
XX		±.154													
X		±.059													
XX		±.019													
XXX		±.020													
XXXX		±.005													

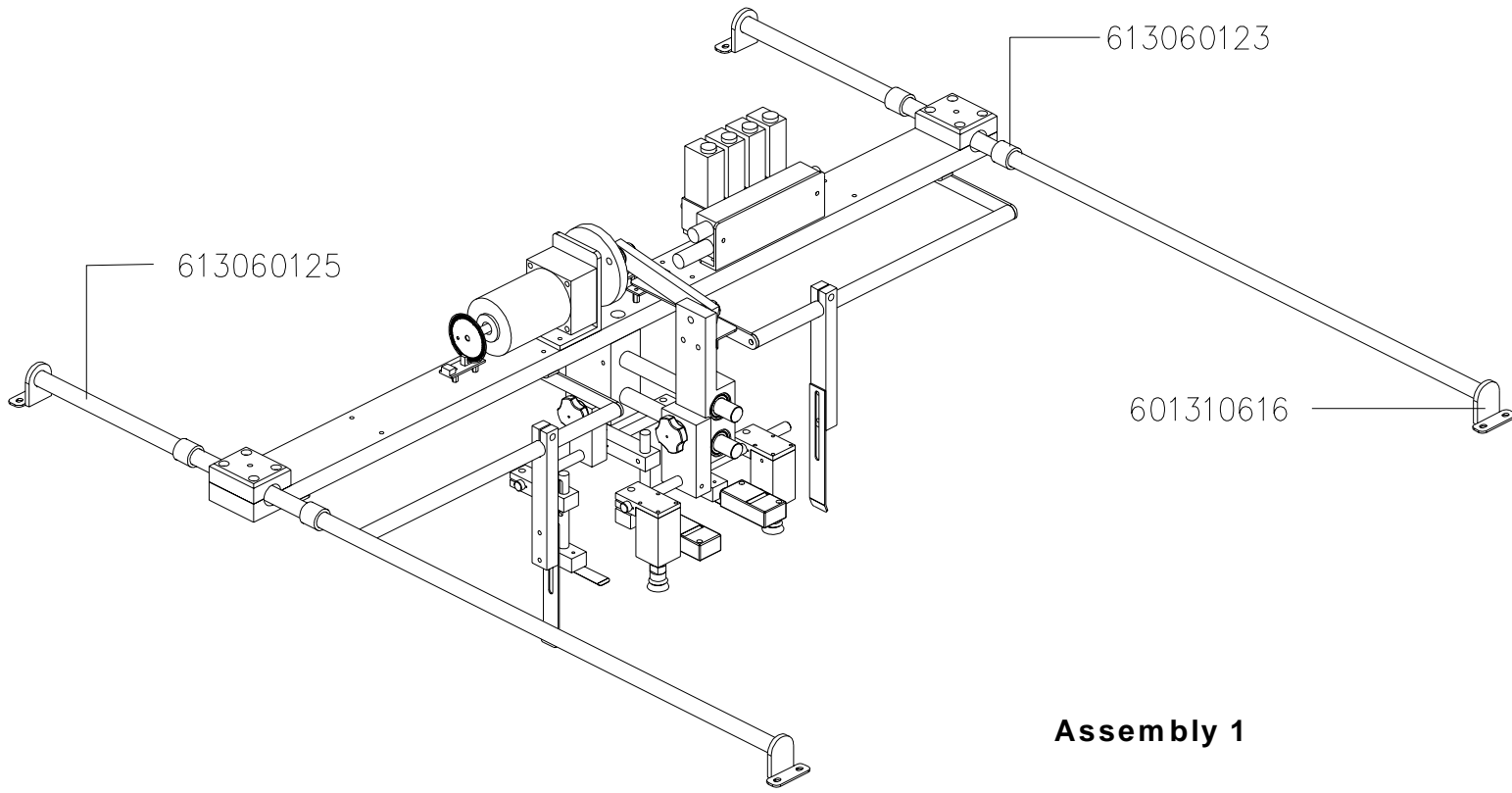
GBC FILMS GROUP				UNLESS OTHERWISE SPECIFIED TOLERANCE				FINISH TO BE				ANGLES			
DM	AS	TOL.													
XX		±.154													
X		±.059													
XX		±.019													
XXX		±.020													
XXXX		±.005													

GBC FILMS GROUP				UNLESS OTHERWISE SPECIFIED TOLERANCE				FINISH TO BE				ANGLES			
DM	AS	TOL.													
XX		±.154													
X		±.059													
XX		±.019													
XXX		±.020													
XXXX		±.005													

GBC FILMS GROUP				UNLESS OTHERWISE SPECIFIED TOLERANCE				FINISH TO BE				ANGLES			
DM	AS	TOL.													
XX		±.154													
X		±.059													
XX		±.019													
XXX		±.020													
XXXX		±.005													

GBC FILMS GROUP				UNLESS OTHERWISE SPECIFIED TOLERANCE				FINISH TO BE				ANGLES			
DM	AS	TOL.													
XX		±.154													
X		±.059													
XX		±.019													
XXX		±.020													
XXXX		±.005				</									

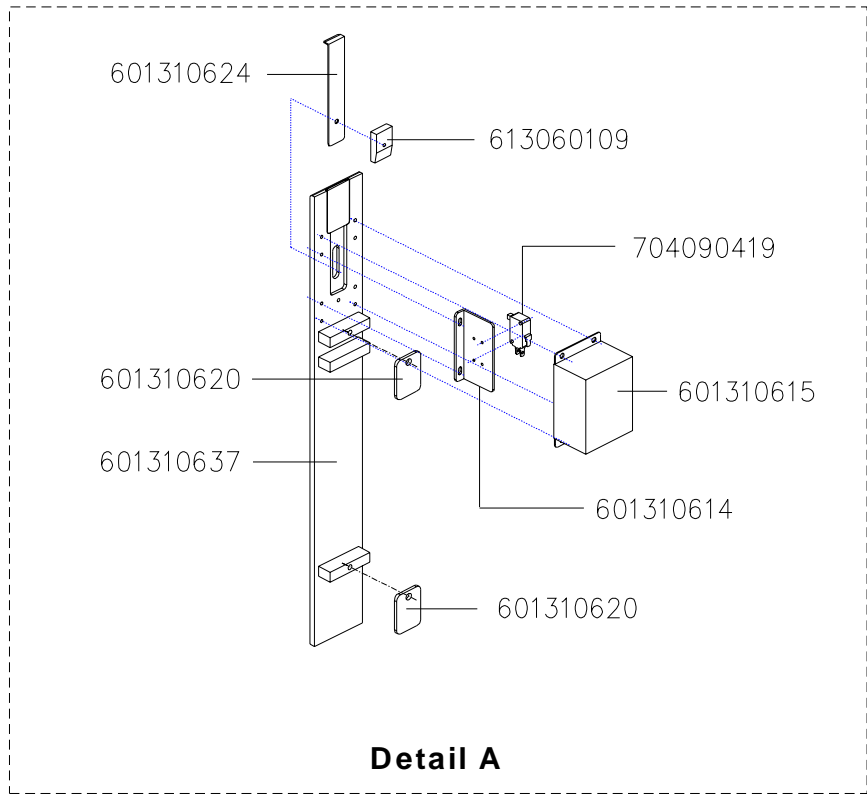
PROPRIETARY
 GBC PRO-TECH CLAIMS PROPRIETARY RIGHTS TO THE MATERIAL DISCLOSED ON THIS DRAWING. IT IS ISSUED IN CONFIDENCE FOR ENGINEERING INFORMATION ONLY AND SHALL NOT BE REPRODUCED, COPIED OR DISCLOSED IN WHOLE OR IN PART, OR USED FOR MANUFACTURE OR FOR ANY OTHER PURPOSE WITHOUT WRITTEN PERMISSION FROM GBC PRO-TECH



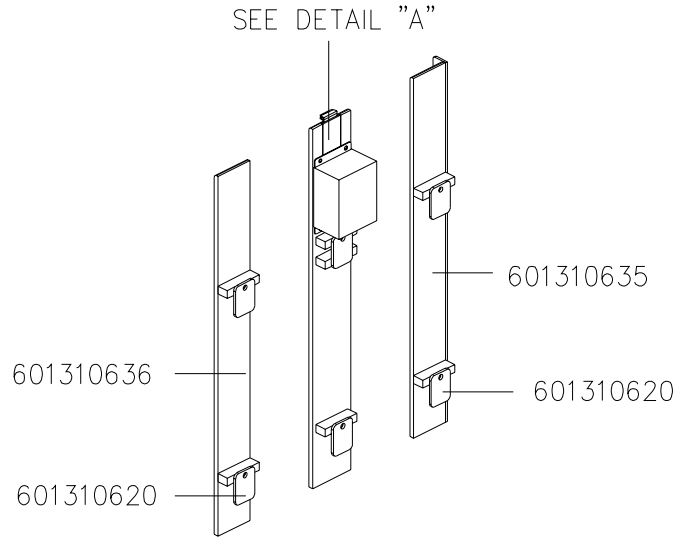
Assembly 1

<small>The print is the property of GBC Film Group. The information therein is restricted in confidence.</small>			
GBC Films Group 4151 Anderson Road, DeForest, WI 53532			TITLE : Digital Feeder: Feed head unit mounting hardware
<small>UNLESS OTHERWISE SPECIFIED TOLERANCE</small>		<small>FINISH TO BE</small>	<small>DATE :</small>
<small>DIM. AS SHOWN</small>	<small>TOL.</small>	<small>125</small>	<small>DRAWN BY :</small>
XX	±.124	<input checked="" type="checkbox"/>	<small>DWG SCALE :</small>
X	±.050		<small>DF - 002</small>
XX	±.010	<small>ANGLES</small>	
XXX	±.020	<small>±.1°</small>	
XXXX	±.085		
<small>APPROVED BY: GBC PRO-TECH</small>			

PROPRIETARY
 GBC PRO-TECH CLAIMS PROPRIETARY RIGHTS TO THE MATERIAL DISCLOSED ON THIS DRAWING. IT IS ISSUED IN CONFIDENCE FOR ENGINEERING INFORMATION ONLY AND SHALL NOT BE REPRODUCED, COPIED OR DISCLOSED IN WHOLE OR IN PART, OR USED FOR MANUFACTURE OR FOR ANY OTHER PURPOSE WITHOUT WRITTEN PERMISSION FROM GBC PRO-TECH



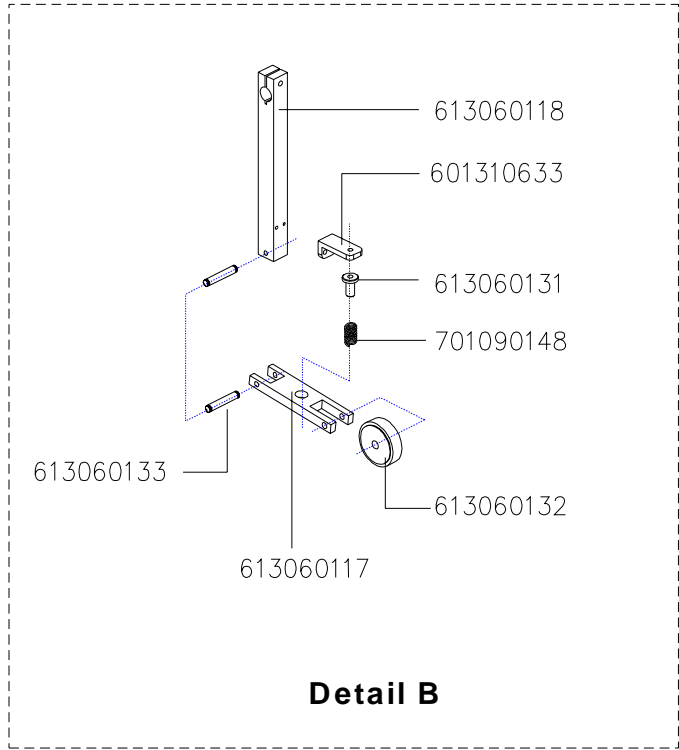
Detail A



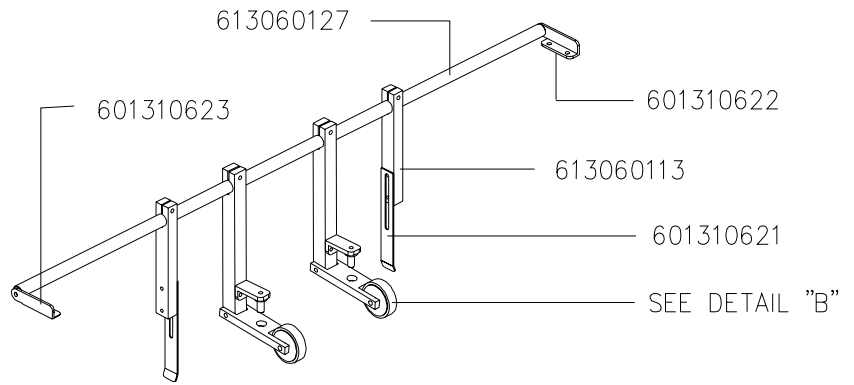
Assembly 2

UNLESS OTHERWISE SPECIFIED TOLERANCE		FINISH TO BE		ANGLES UNLESS OTHERWISE SPECIFIED		DATE: 07/13/00			
DM: AS SHOWN	TOL: ±.154	X	112	XXX	±.020	DATE:	DRAWN BY: N/A	DWG SCALE: N/A	DWG: DF - 003
XX	±.154	XX	112	XXXX	±.002	TITLE: Digital Feeder: Sheet stack limit brackets			
X	±.002					GBC Films Group 4151 Anderson Road, DeForest, WI 53532			
XX	±.010					DRAWN BY: N/A			
XXX	±.020					DWG SCALE: N/A			
XXXX	±.002					DWG: DF - 003			

PROPRIETARY
 GBC PRO-TECH CLAIMS PROPRIETARY RIGHTS TO THE MATERIAL DISCLOSED ON THIS DRAWING. IT IS ISSUED IN CONFIDENCE FOR ENGINEERING INFORMATION ONLY AND SHALL NOT BE REPRODUCED, COPIED OR DISCLOSED IN WHOLE OR IN PART, OR USED FOR MANUFACTURE OR FOR ANY OTHER PURPOSE WITHOUT WRITTEN PERMISSION FROM GBC PRO-TECH



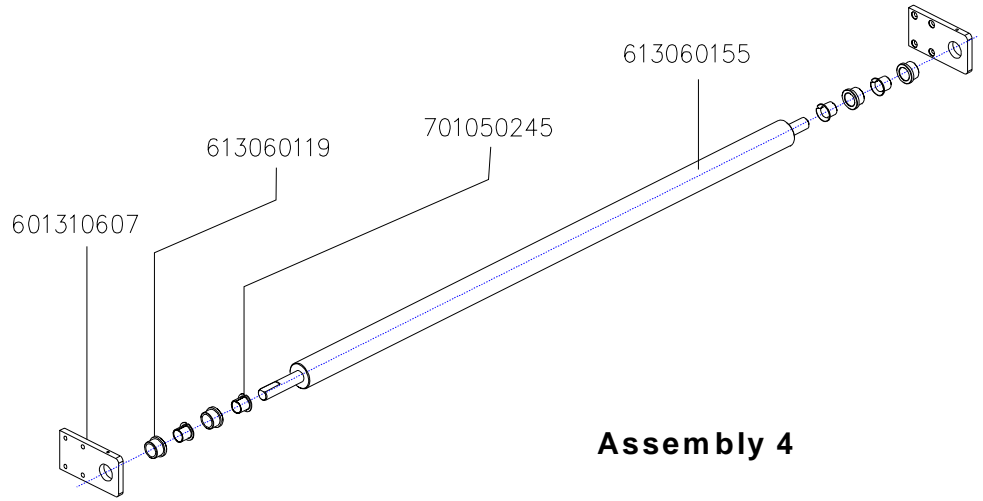
Detail B



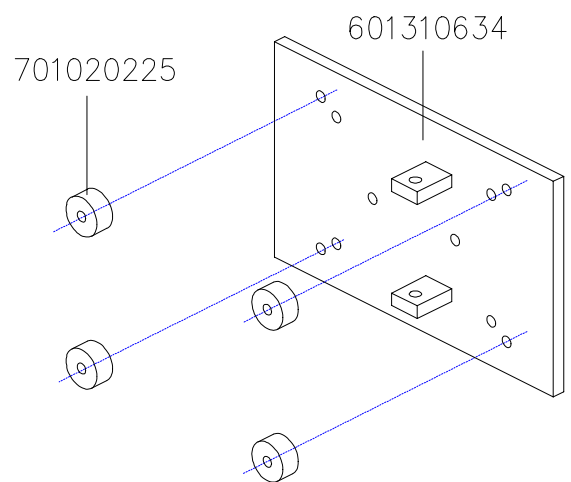
Assembly 3

<small>The print is the property of GBC Films Group. The information therein is restricted in confidence.</small>			
GBC Films Group			
<small>4151 Anderson Road, DeForest, WI 53532</small>			
TITLE :			
Digital Feeder: Sheet stack feed guides			
DATE :	DRAWN BY :	DWG SCALE :	DWG :
07/13/00	N/A	N/A	DF - 004

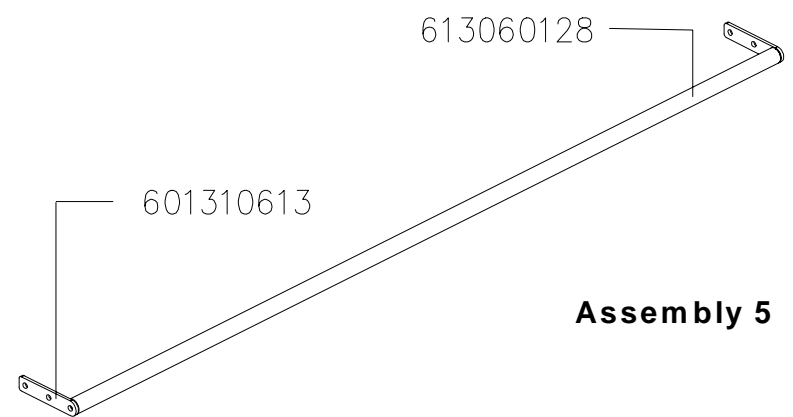
PROPRIETARY
 GBC PRO-TECH CLAIMS PROPRIETARY RIGHTS TO THE MATERIAL DISCLOSED ON THIS DRAWING. IT IS ISSUED IN CONFIDENCE FOR ENGINEERING INFORMATION ONLY AND SHALL NOT BE REPRODUCED, COPIED OR DISCLOSED IN WHOLE OR IN PART, OR USED FOR MANUFACTURE OR FOR ANY OTHER PURPOSE WITHOUT WRITTEN PERMISSION FROM GBC PRO-TECH



Assembly 4



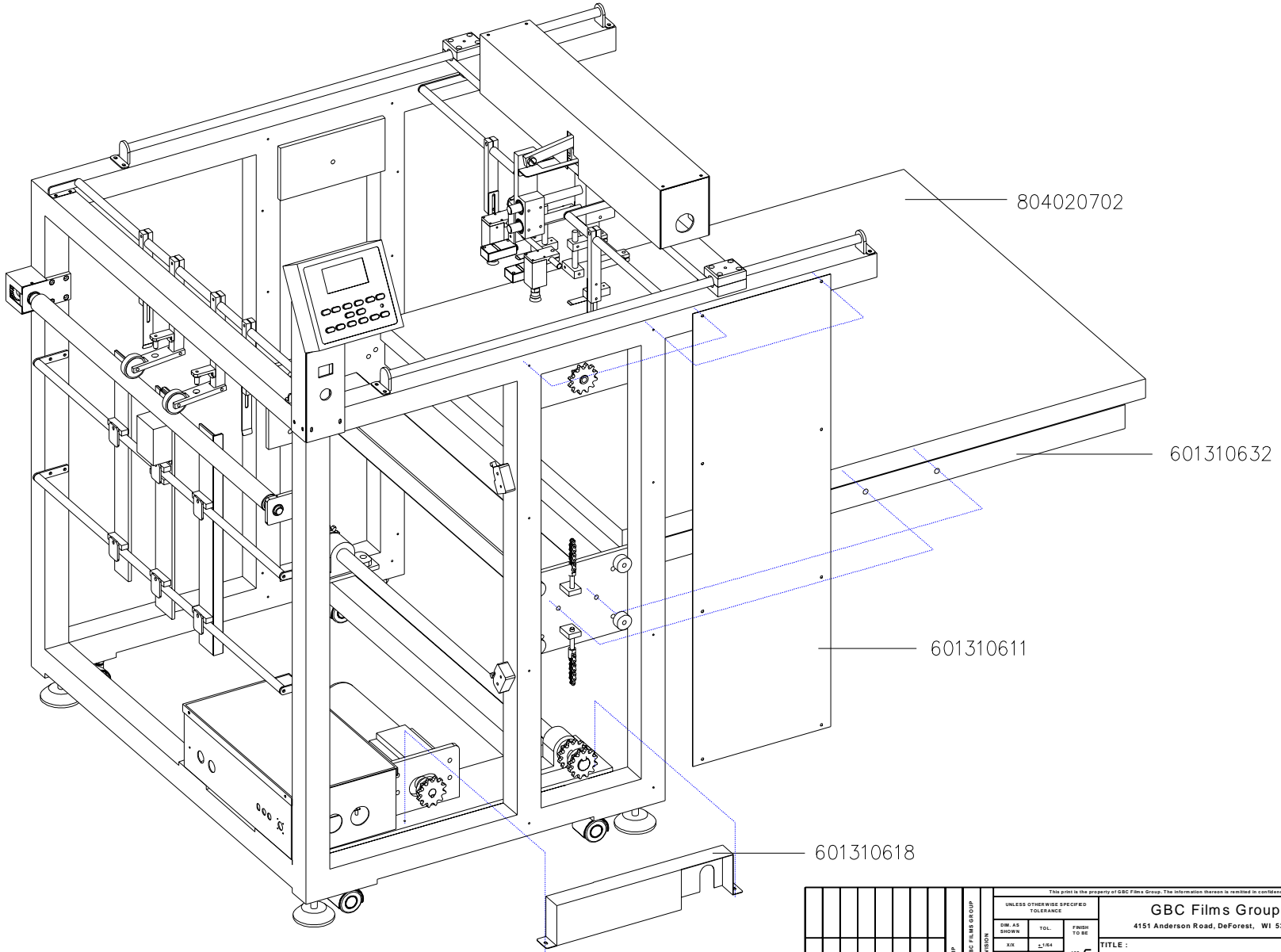
Assembly 6



Assembly 5

UNLESS OTHERWISE SPECIFIED TOLERANCE			GBC Films Group 4151 Anderson Road, DeForest, WI 53532			
DM. AS SHOWN	TOL.	FINISH TO BE	TITLE : Digital Feeder: Stack feed idler, stack limit bracket supports and table supports			
XX	±.154	√	DATE :	DRAWN BY :	DWG SCALE :	DWG :
X	±.059		07/13/00	N/A	N/A	DF - 005
XX	±.019	√	ANGLES ±.5°			
XXX	±.020					
XXXX	±.005					

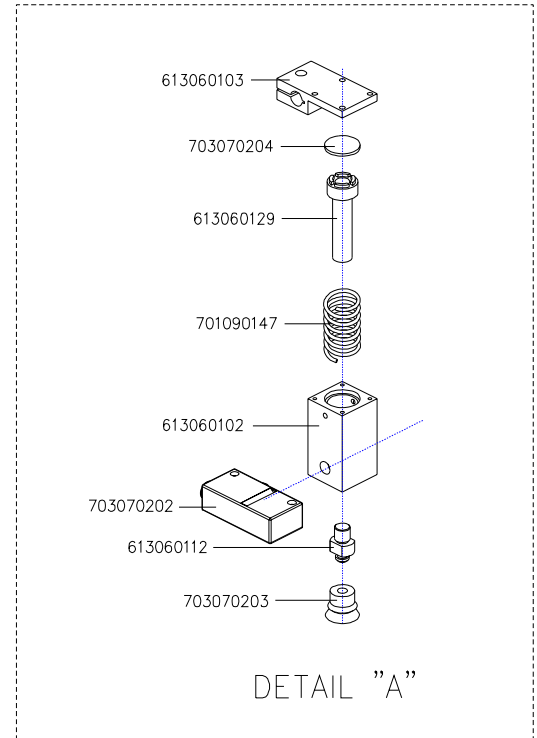
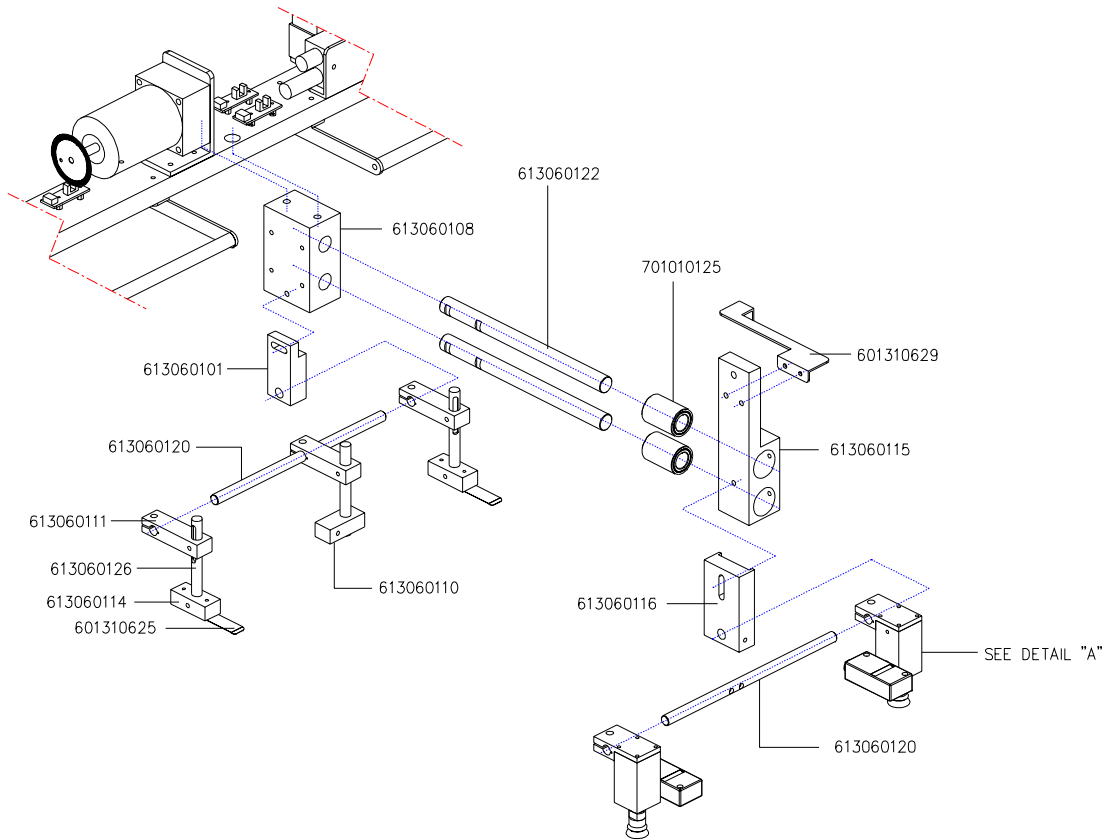
PROPRIETARY
 GBC PRO-TECH CLAIMS PROPRIETARY RIGHTS TO THE MATERIAL DISCLOSED ON THIS DRAWING. IT IS ISSUED IN CONFIDENCE FOR ENGINEERING INFORMATION ONLY AND SHALL NOT BE REPRODUCED, COPIED OR DISCLOSED IN WHOLE OR IN PART, OR USED FOR MANUFACTURE OR FOR ANY OTHER PURPOSE WITHOUT WRITTEN PERMISSION FROM GBC PRO-TECH



UNLESS OTHERWISE SPECIFIED TOLERANCE		FINISH TO BE		ANGLES		DATE:		DRAWN BY:		DWG SCALE:		DWG:	
DM. AS SHOWN	TOL.		✓			07/13/00	N/A	N/A	N/A	DF - 007			
XX	±.154												
X	±.059												
XX	±.019												
XXX	±.020												
XXXX	±.005												

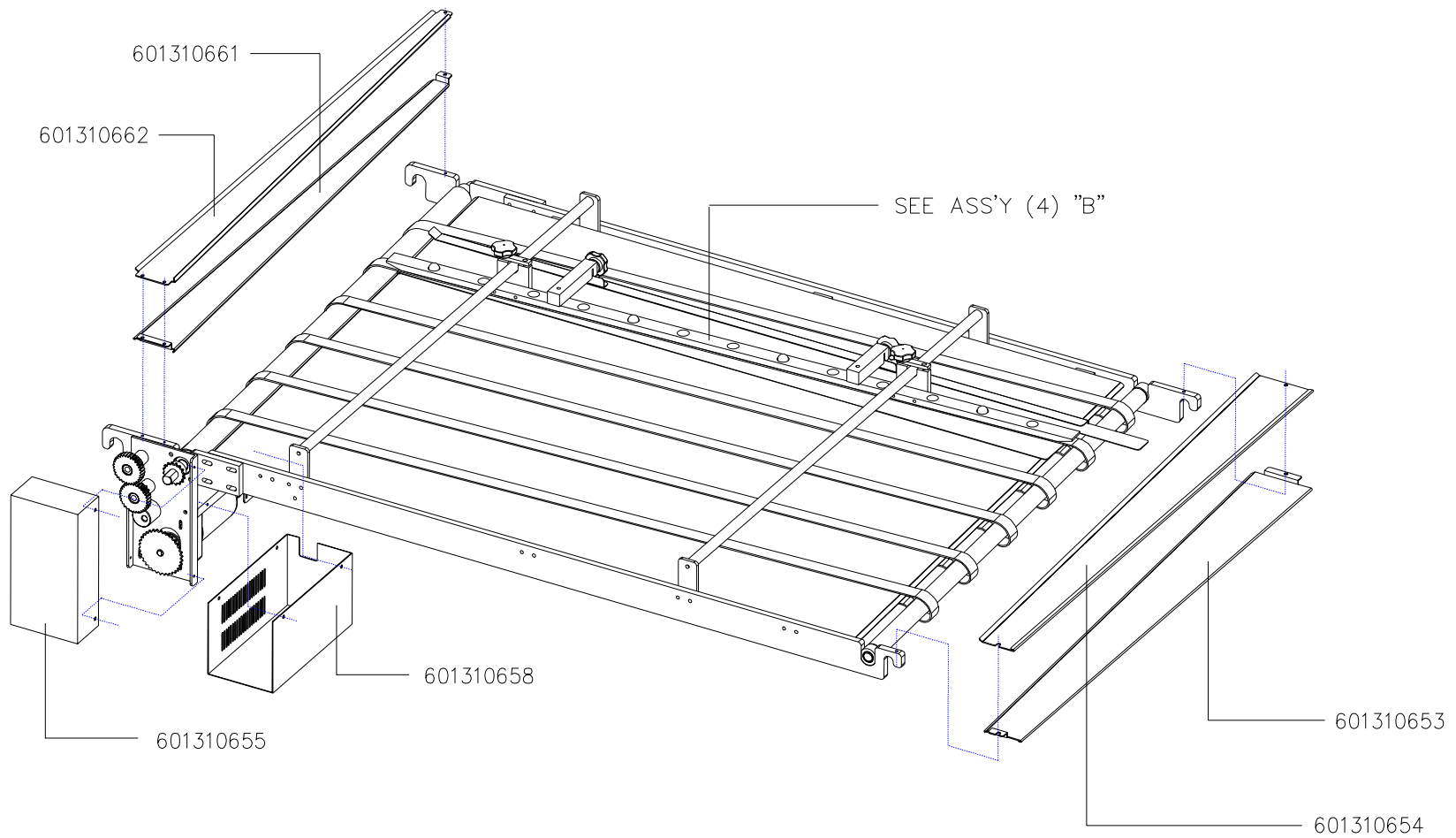
The print is the property of GBC Films Group. The information therein is restricted in confidence.
GBC Films Group
 4151 Anderson Road, DeForest, WI 53532
TITLE :
Digital Feeder: Table and covers

PROPRIETARY
 GBC PRO-TECH CLAIMS PROPRIETARY RIGHTS TO THE MATERIAL DISCLOSED ON THIS DRAWING. IT IS ISSUED IN CONFIDENCE FOR ENGINEERING INFORMATION ONLY AND SHALL NOT BE REPRODUCED, COPIED OR DISCLOSED IN WHOLE OR IN PART, OR USED FOR MANUFACTURE OR FOR ANY OTHER PURPOSE WITHOUT WRITTEN PERMISSION FROM GBC PRO-TECH



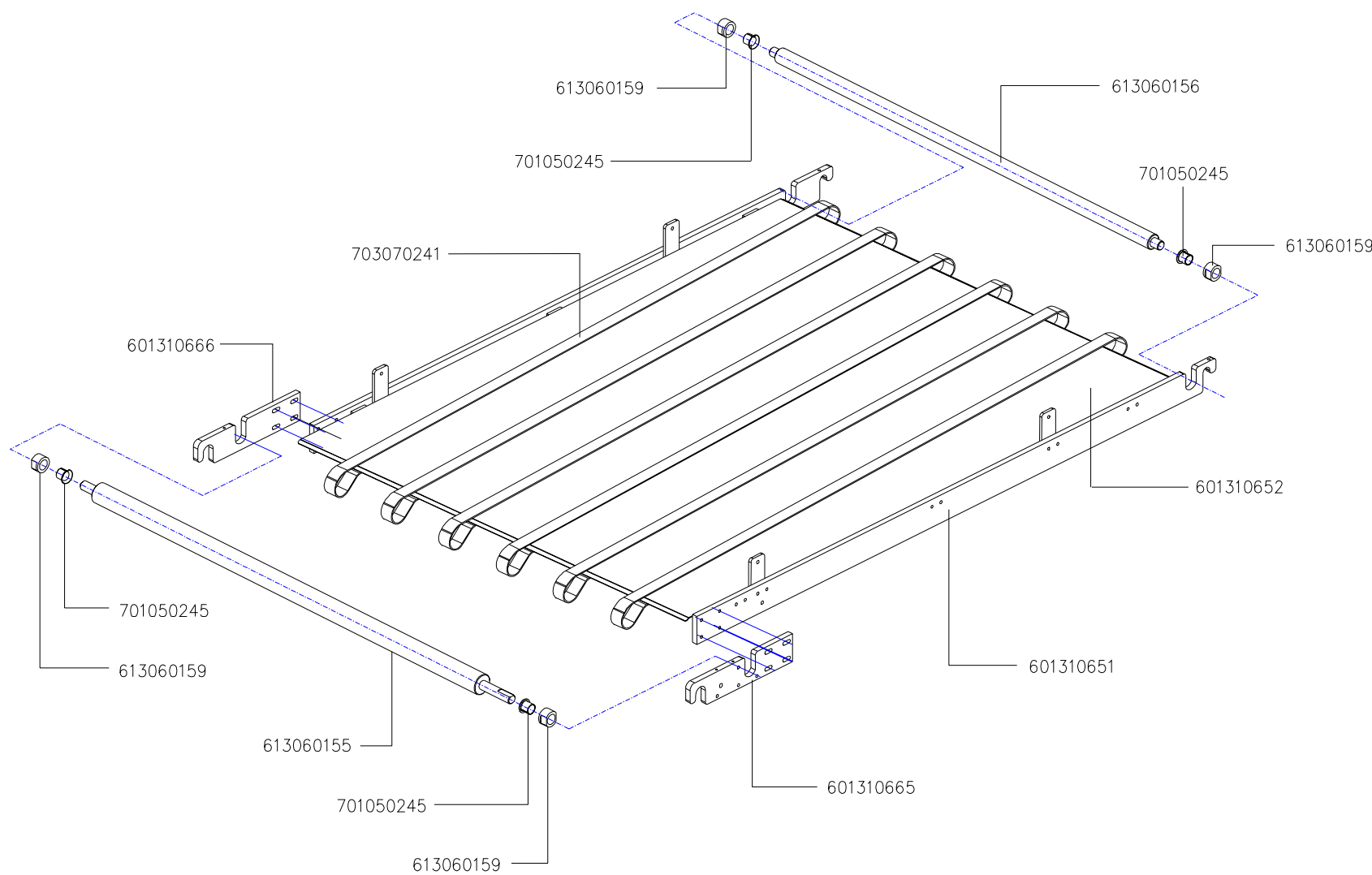
UNLESS OTHERWISE SPECIFIED TOLERANCE				GBC Films Group 4151 Anderson Road, DeForest, WI 53532			
REV	DATE	BY	CHKD	TITLE : Digital Feeder: Feed head unit assembly			
XX				DATE :	DRAWN BY :	DWG SCALE :	DWG :
X				07/13/00	N/A	N/A	DF - 008
XX				ANGLES : L/10			
XXX							
XXXX							

PROPRIETARY
 GBC PRO-TECH CLAIMS PROPRIETARY RIGHTS TO THE MATERIAL DISCLOSED ON THIS DRAWING. IT IS ISSUED IN CONFIDENCE FOR ENGINEERING INFORMATION ONLY AND SHALL NOT BE REPRODUCED, COPIED OR DISCLOSED IN WHOLE OR IN PART, OR USED FOR MANUFACTURE OR FOR ANY OTHER PURPOSE WITHOUT WRITTEN PERMISSION FROM GBC PRO-TECH

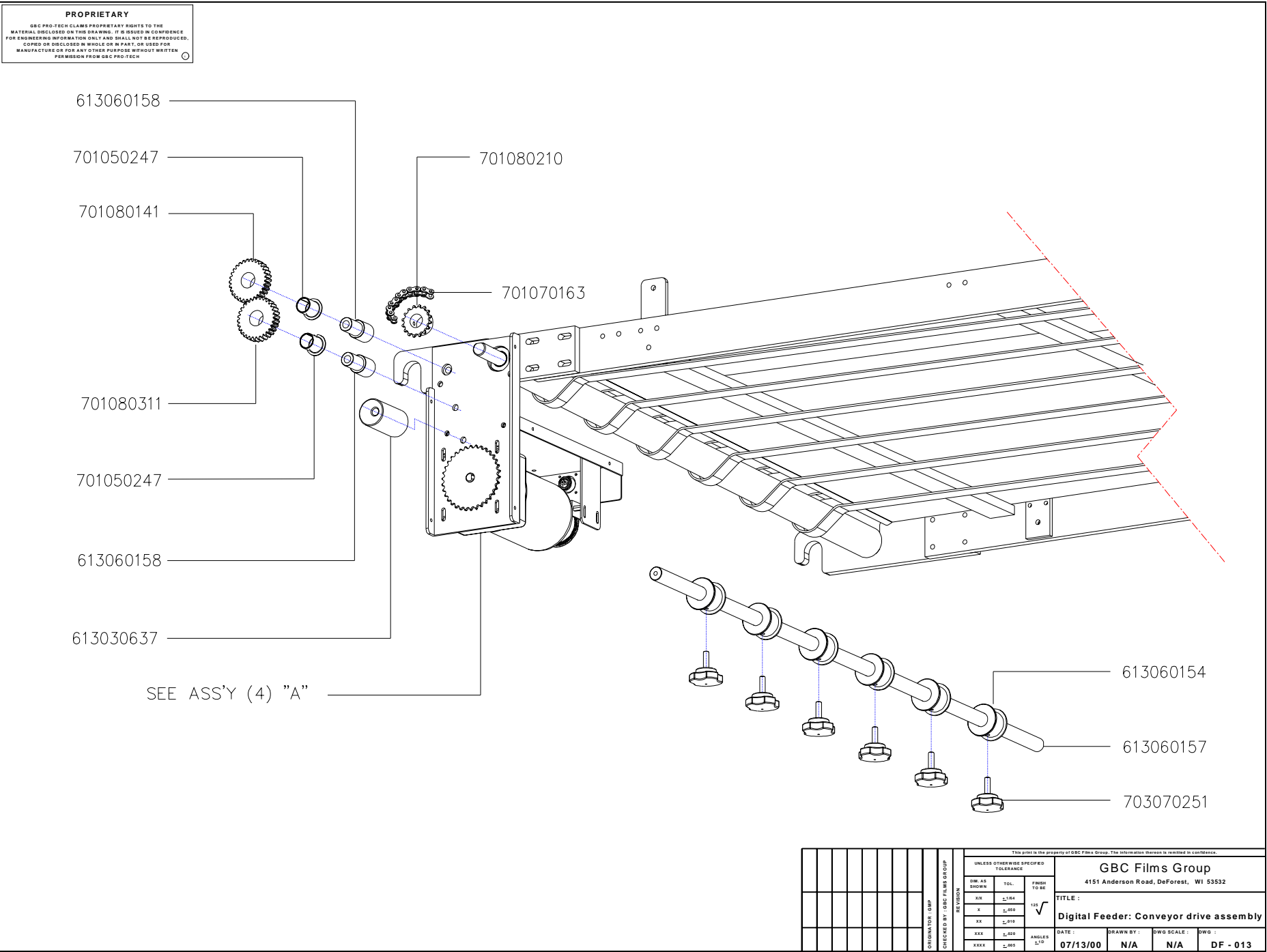


<small>This print is the property of GBC Films Group. The information therein is restricted in confidence.</small>			
UNLESS OTHERWISE SPECIFIED TOLERANCE		GBC Films Group 4151 Anderson Road, DeForest, WI 53532	
DM. AS SHOWN	TOL.	FINISH TO BE	TITLE :
XX	±.154	112	Digital Feeder: Conveyor covers
X	±.059	✓	DATE :
XX	±.019		07/13/00
XXX	±.020	ANGLES	DRAWN BY :
XXXX	±.005	±.1°	N/A
			DWG SCALE :
			N/A
			DWG :
			DF - 011

PROPRIETARY
 GBC PRO-TECH CLAIMS PROPRIETARY RIGHTS TO THE MATERIAL DISCLOSED ON THIS DRAWING. IT IS ISSUED IN CONFIDENCE FOR ENGINEERING INFORMATION ONLY AND SHALL NOT BE REPRODUCED, COPIED OR DISCLOSED IN WHOLE OR IN PART, OR USED FOR MANUFACTURE OR FOR ANY OTHER PURPOSE WITHOUT WRITTEN PERMISSION FROM GBC PRO-TECH



UNLESS OTHERWISE SPECIFIED TOLERANCE				The print is the property of GBC Films Group. The information thereon is not to be released in confidence.			
DIM. AS SHOWN		TOL.		FINISH TO BE		GBC Films Group 4151 Anderson Road, DeForest, WI 53532	
XX	±.124			115	✓	TITLE :	
X	±.050					Digital Feeder: Conveyor idlers	
XX	±.010					DATE :	DRAWN BY :
XXX	±.020			ANGLES	1/16	07/13/00	N/A
XXXX	±.005					DWG SCALE :	DWG :
						N/A	DF - 012



PROPRIETARY
 GBC PRO-TECH CLAIMS PROPRIETARY RIGHTS TO THE MATERIAL DISCLOSED ON THIS DRAWING. IT IS ISSUED IN CONFIDENCE FOR ENGINEERING INFORMATION ONLY AND SHALL NOT BE REPRODUCED, COPIED OR DISCLOSED IN WHOLE OR IN PART, OR USED FOR MANUFACTURE OR FOR ANY OTHER PURPOSE WITHOUT WRITTEN PERMISSION FROM GBC PRO-TECH

UNLESS OTHERWISE SPECIFIED TOLERANCE		FINISH TO BE		ANGLES		DATE: 07/13/00		DRAWN BY: N/A		DWG SCALE: N/A		DWG: DF - 013	
DM. AS SHOWN	TOL.												
XX	±.154												
X	±.059												
XX	±.019												
XXX	±.020												
XXXX	±.005												

The print is the property of GBC Films Group. The information therein is restricted in confidence.
GBC Films Group
 4151 Anderson Road, DeForest, WI 53532
TITLE :
 Digital Feeder: Conveyor drive assembly

This page intentionally left blank.