
Discovery 80
Illustrated Parts Booklet
(1711710)

© GBC Films Group, July 2000
Do not duplicate without written permission

Booklet #: D80PB001A

GBC Films Group
4151 Anderson Road
DeForest, WI 53532
Ph: (608) 246 - 8844
Fx: (608) 246 - 8645

Links to Content

Drawing number :	Drawing Title:	Page number:
D80 - 001	Side cover and back cover assembly	1 - 1
D80 - 002	Ecentric shaft and blade assembly	1 - 2
D80 - 003	Heat shoe and roller assembly	1 - 3
D80 - 004	Side and bottom plate assembly	1 - 4
D80 - 005	Bottom plate assembly	1 - 5
D80 - 006	Control panel and cabinet assembly	1 - 6
D80 - 007	Left side cabinet assembly	1 - 7
D80 - 008	Stand assembly	1 - 8
D80 - 009	Feed table assembly	1 - 9
D80 - 010	Shoe and sensor assembly	1 - 10
D80 - 011	Infrared heater assembly	1 - 11
D80 - 012	Unwind assembly	1 - 12
D80 - 013	Film tension adjust handle assembly	1 - 13
D80 - 014	Clutch assembly	1 - 14
D80 - 015	Ecentric clamp plate assembly	1 - 15
D80 - 016	Power panel assembly	1 - 16
D80 - 017	Emergency switch assembly	1 - 17
D80 - 018	Safety lever assembly	1 - 18
D80 - 019	Slitter assembly	1 - 19
D80 - 020	Blade housing cover assembly	1 - 20
D80 - 021	Blade housing assembly	1 - 21

Drawing number :

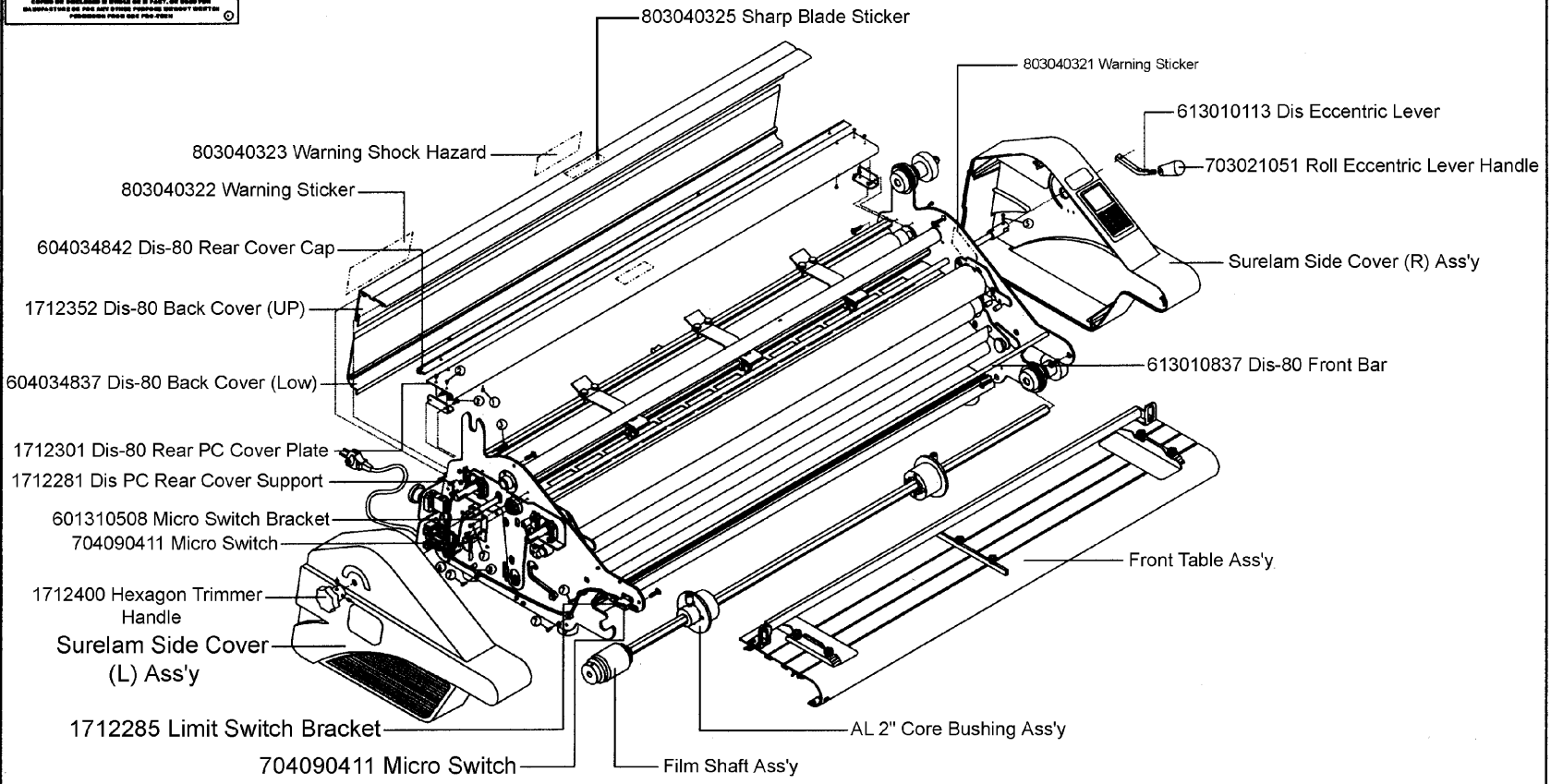
Drawing Title:

Page number:

This page intentionally left blank.

PROPRIETARY
 USE FOR THIS CLASS PROPRIETARY RIGHTS TO THE
 DESIGN ARE RESERVED BY THE MANUFACTURER. IT IS STRICTLY PROHIBITED
 FOR REPRODUCING, DISTRIBUTING, OR USING THIS INFORMATION IN ANY MANNER
 WITHOUT THE WRITTEN PERMISSION OF THE MANUFACTURER. THE MANUFACTURER
 ASSUMES NO LIABILITY FOR ANY DAMAGE OR INJURY TO PERSONS OR PROPERTY
 ARISING FROM THE USE OF THIS INFORMATION.

Ribbon Cable for Control
 Panel Board: 704161717



- ① 701109102 M4 * 6 SAMS

- ① 701100304 M4 * 6

- ① 701100910 M4 * 12

- ① 701100310 M4 * 12

- ① 701100314 M4 * 16

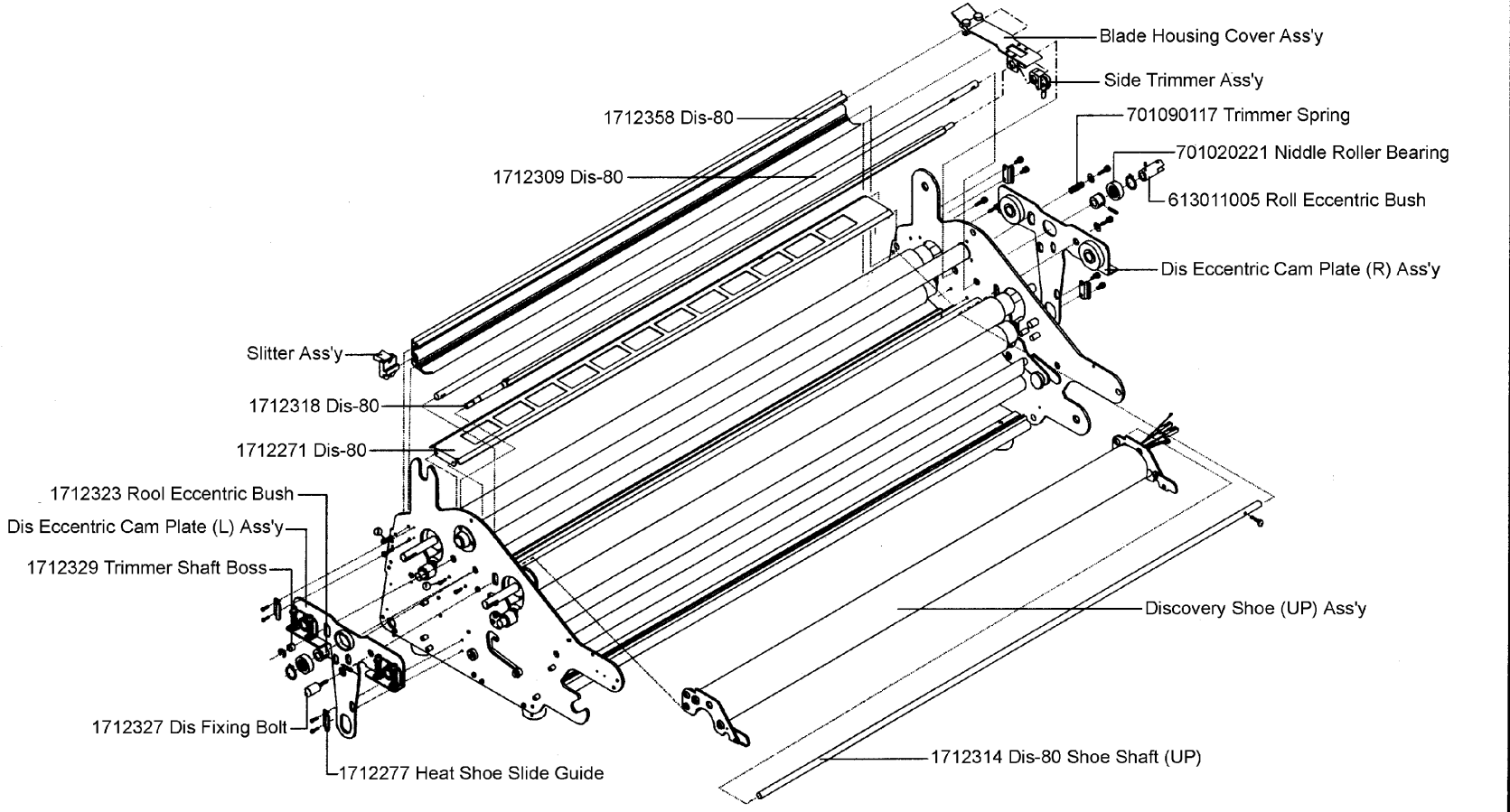
- ① 701100211 M3 * 12

- ① 701109104 M4 * 8 SAMS

- ① RING COLLAR TIE

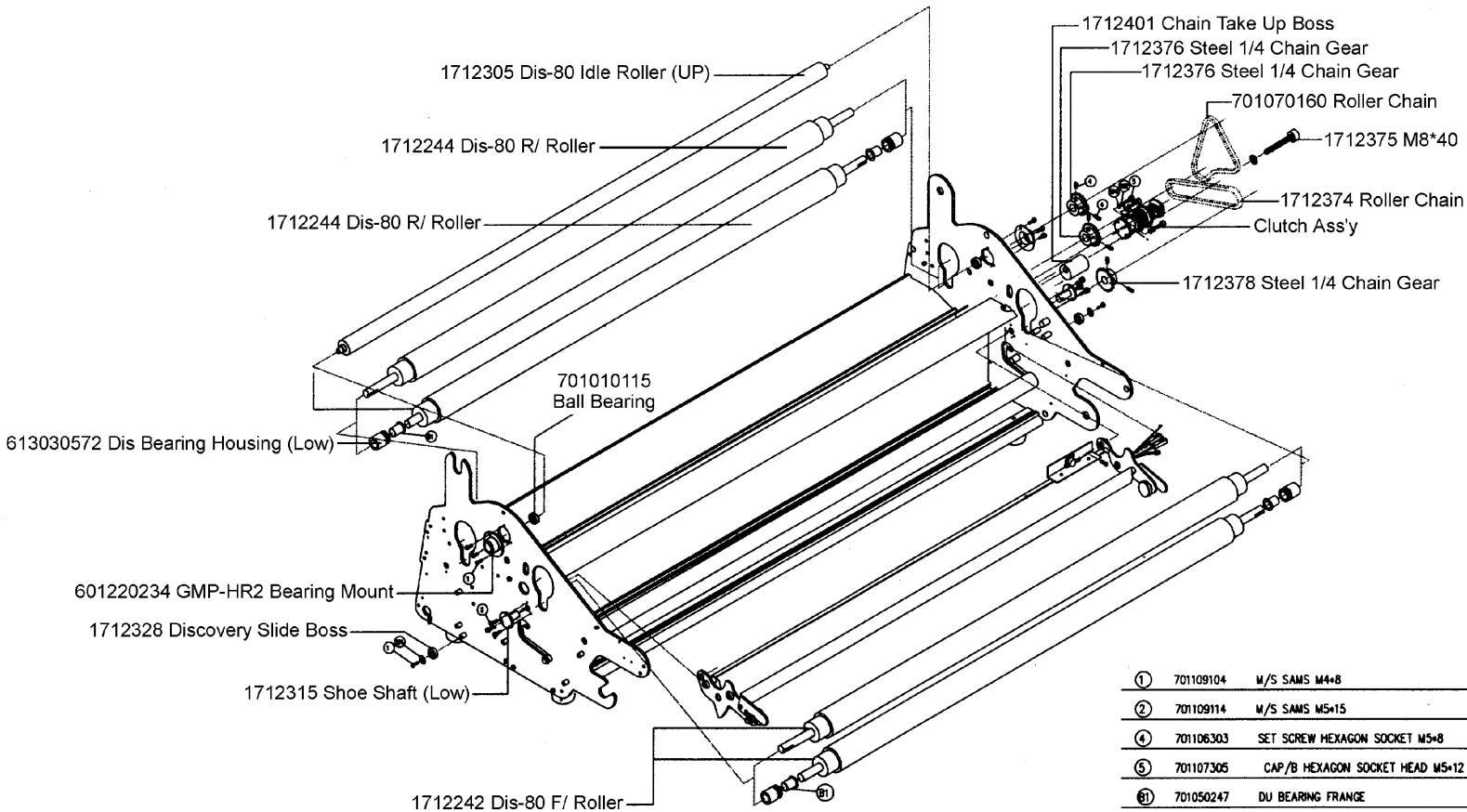
REVISIONS				GBC Films Group			
NO.	DATE	BY	REASON	4191 Anderson Road, DeForest, WI 53528			
				TITLE: Discovery 80: Side cover and back cover assembly			
				DATE: 07/17/00	DRAWN BY: N/A	DESIGNED BY: N/A	CHK: D80 - 001

PROPRIETARY
 ALL RIGHTS RESERVED. THIS DOCUMENT IS THE PROPERTY OF GBC FILMS GROUP. IT IS LOANED TO YOU FOR YOUR INFORMATION ONLY. IT IS NOT TO BE REPRODUCED, COPIED OR DISCLOSED IN ANY MANNER OR FOR ANY PURPOSE WITHOUT THE WRITTEN PERMISSION OF GBC FILMS GROUP.



GBC FILMS GROUP		4191 Anderson Road, DeForest, WI 53528	
TITLE: Discovery 80: Eccentric shaft and blade assembly			
DATE: 07/17/00	SCALE: N/A	REV: N/A	FIG: D80 - 002

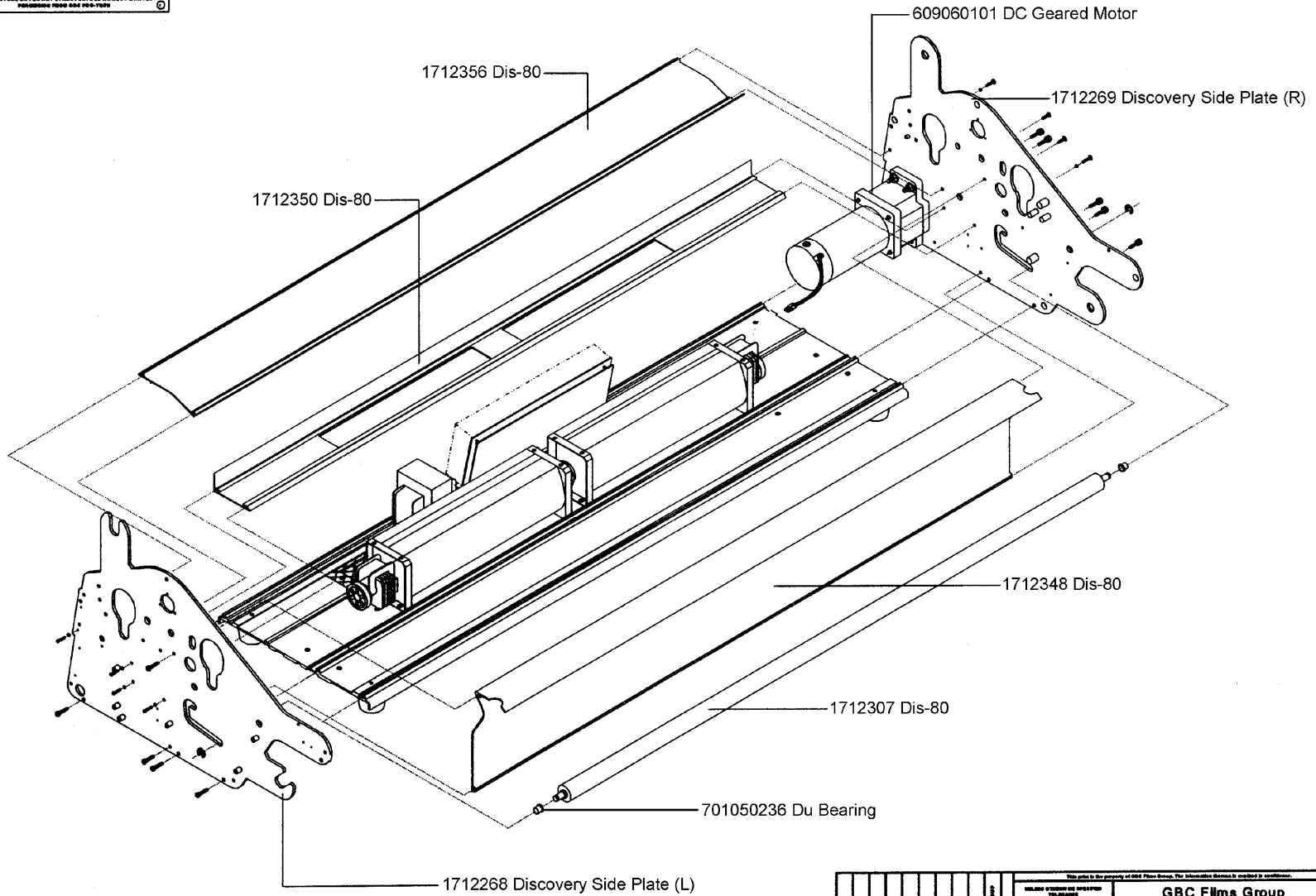
PROPRIETARY
 THE TWO-TONE PLATED PROPRIETARY DESIGN TO THE
 METALLIC FINISHING ON THIS BEARING, IF A CHANGE IS DESIRED,
 FOR DIMENSIONAL REASON ONLY AND SHALL NOT BE APPROVED,
 UNTIL AS APPROVED IN WRITING AND IN FACT, NO WORK FOR
 REPLACEMENT OR FOR ANY OTHER PURPOSE WITHOUT WRITING
 PERMISSION FROM GBC FILMS GROUP



- ① 701109104 M/S SAMS M4*8
- ② 701109114 M/S SAMS M5*15
- ④ 701106303 SET SCREW HEXAGON SOCKET M5*8
- ⑤ 701107305 CAP/B HEXAGON SOCKET HEAD M5*12
- ⑧1 701050247 DU BEARING FRANGE
- ⑤1 701090607 SPRING E-RING #8
- ⑦2 701110303 SPRING WASHER M5
- ⑧4 701110203 PLATE WASHER M5

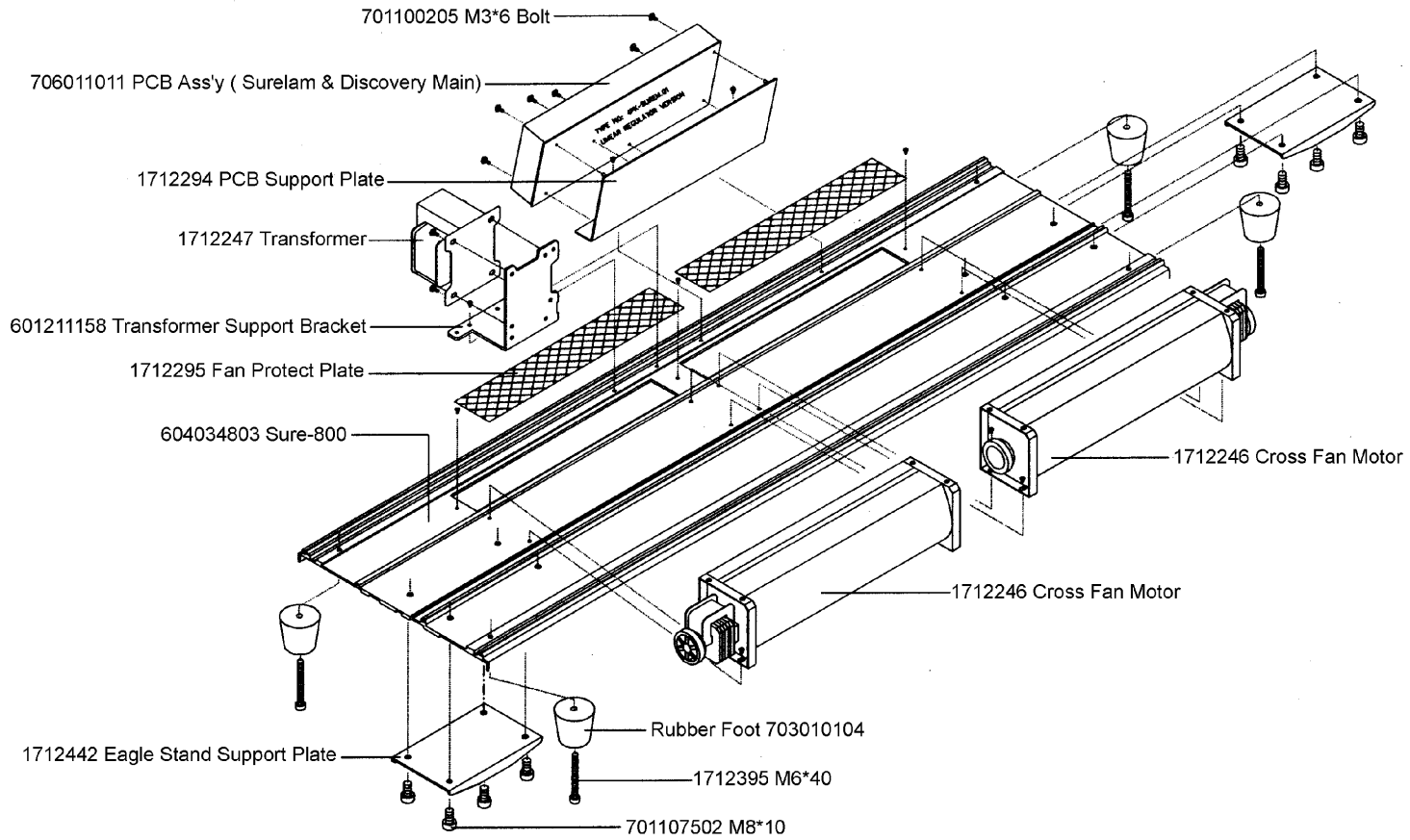
THIS PRINT IS THE PROPERTY OF GBC FILMS GROUP. THE SUBMITTER'S NAME IS NOTIFIED IN CAPTION.	
GBC Films Group 4161 Anderson Road, DeForest, WI 53532	
TITLE: Discovery 80: Heat shoe and roller assembly	
DATE: 07/17/00	MADE BY: N/A P/B GRADE: N/A P/B: D89-003

PROPRIETARY
 ALL RIGHTS RESERVED. THIS DOCUMENT IS THE PROPERTY OF GBC FILMS GROUP. IT IS LOANED TO YOU FOR YOUR INFORMATION ONLY AND SHALL NOT BE REPRODUCED, COPIED OR DISCLOSED IN ANY MANNER WITHOUT THE WRITTEN PERMISSION OF GBC FILMS GROUP.

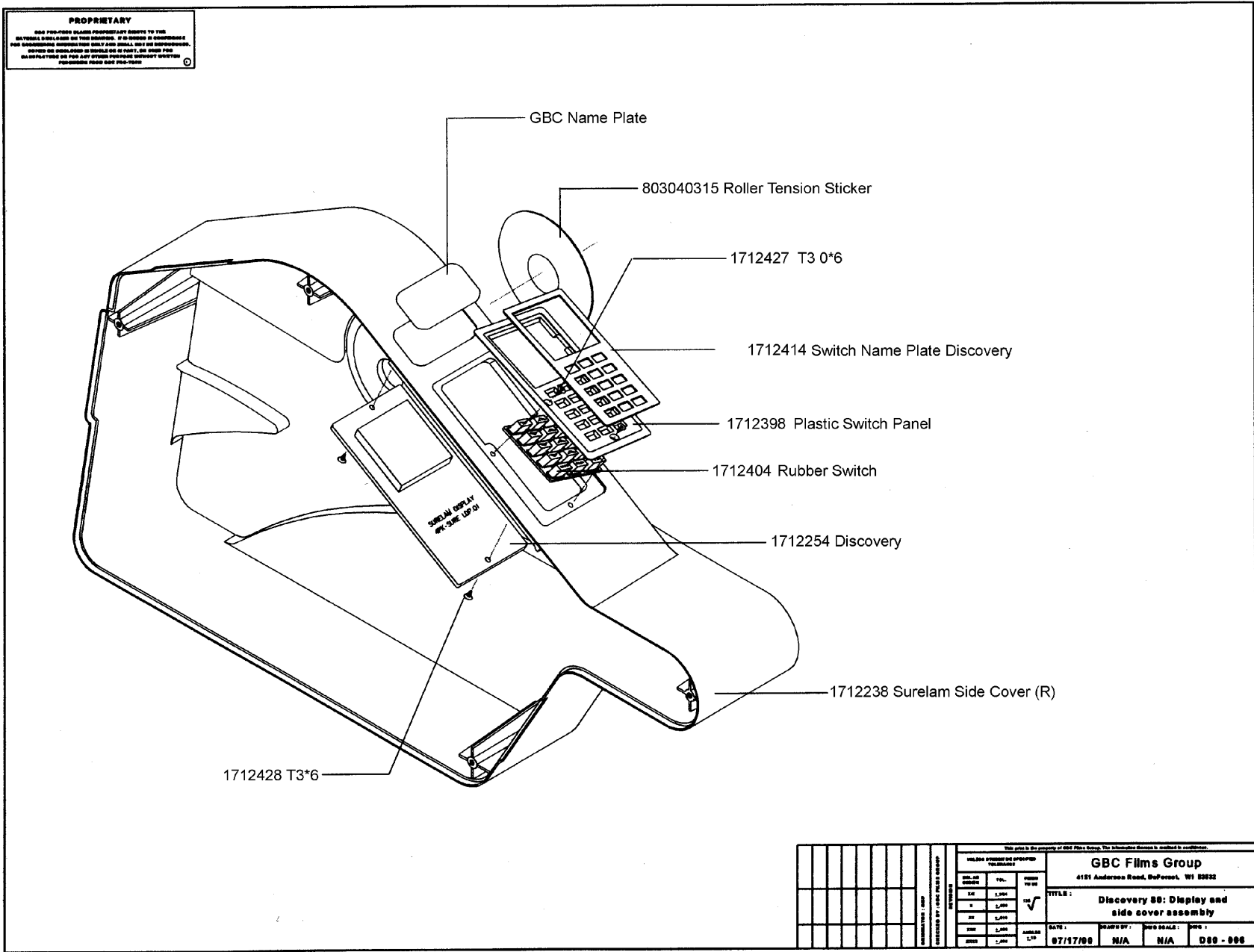


GBC FILMS GROUP		4101 Anderson Road, DeForest, WI 53522	
TITLE :		Discovery 80: Side and bottom plate assembly	
DATE :	07/17/00	REVISION :	N/A
SCALE :	N/A	REV :	080 - 004

PROPRIETARY
 ALL RIGHTS RESERVED. NO PART OF THIS DOCUMENT IS TO BE REPRODUCED OR TRANSMITTED IN ANY FORM OR BY ANY MEANS, ELECTRONIC OR MECHANICAL, INCLUDING PHOTOCOPYING, RECORDING, OR BY ANY INFORMATION STORAGE AND RETRIEVAL SYSTEM. ANY UNAUTHORIZED USE OF THIS DOCUMENT IS STRICTLY PROHIBITED.



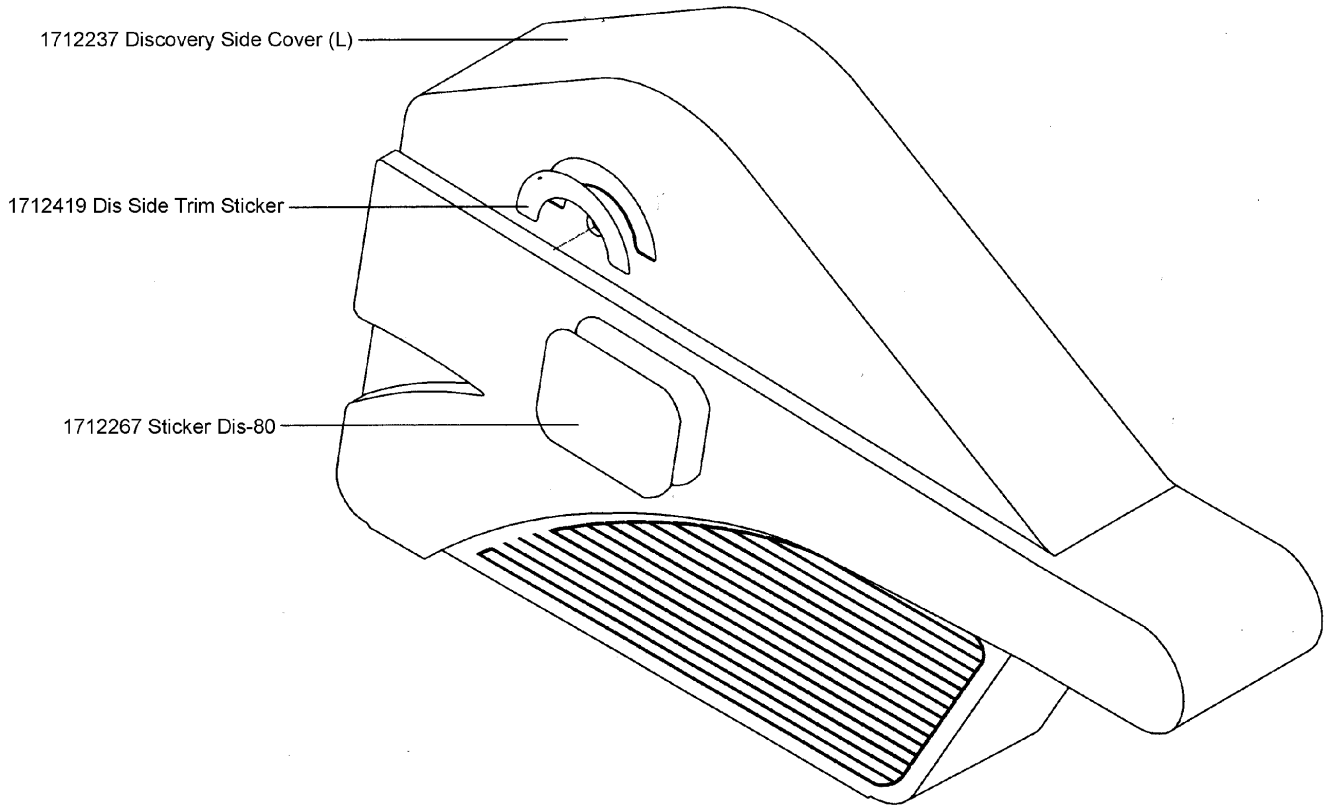
GBC FILMS GROUP			
0181 Anderson Road, DeForest, WI 53532			
TITLE: Discovery 80: Bottom plate assembly			
DATE: 07/17/00		DRAWN BY: N/A	
SCALE: N/A		JOB NO: D88-085	



PROPRIETARY
 GBC FILMS GROUP PROPRIETARY RIGHTS TO THE
 INTERNAL DESIGN OF THIS DRAWING. IT IS ISSUED AS INFORMATION
 FOR ASSEMBLY PURPOSES ONLY AND SHALL NOT BE REPRODUCED,
 COPIED OR TRANSMITTED IN ANY FORM OR BY ANY MEANS FOR
 ANY PURPOSES OR FOR ANY OTHER PERSONS WITHOUT EXPRESS
 PERMISSION FROM GBC FILMS GROUP.

GBC FILMS GROUP / GBC GROUP		GBC FILMS GROUP		GBC FILMS GROUP	
4151 Anderson Road, DeForest, WI 53522		4151 Anderson Road, DeForest, WI 53522		4151 Anderson Road, DeForest, WI 53522	
TITLE: Discovery 80: Display and side cover assembly		TITLE: Discovery 80: Display and side cover assembly		TITLE: Discovery 80: Display and side cover assembly	
DATE: 07/17/00	DESIGNED BY: N/A	DRAWN BY: N/A	DATE: 07/17/00	DESIGNED BY: N/A	DRAWN BY: N/A
DATE: 07/17/00	DESIGNED BY: N/A	DRAWN BY: N/A	DATE: 07/17/00	DESIGNED BY: N/A	DRAWN BY: N/A

PROPRIETARY
 GBC FILMS GROUP PROPRIETARY RIGHTS TO THE
 PATENT, INCLUDING THE DESIGN, OF A DEVICE IS RESERVED.
 FOR INFORMATION PURPOSES THIS TOOL IS NOT TO BE REPRODUCED.
 LISTS OR INCLUSIONS IN THIS OR IN PART, OR USED FOR
 REPRODUCTION OR PUBLICATION WITHOUT WRITTEN
 PERMISSION FROM GBC FILMS GROUP



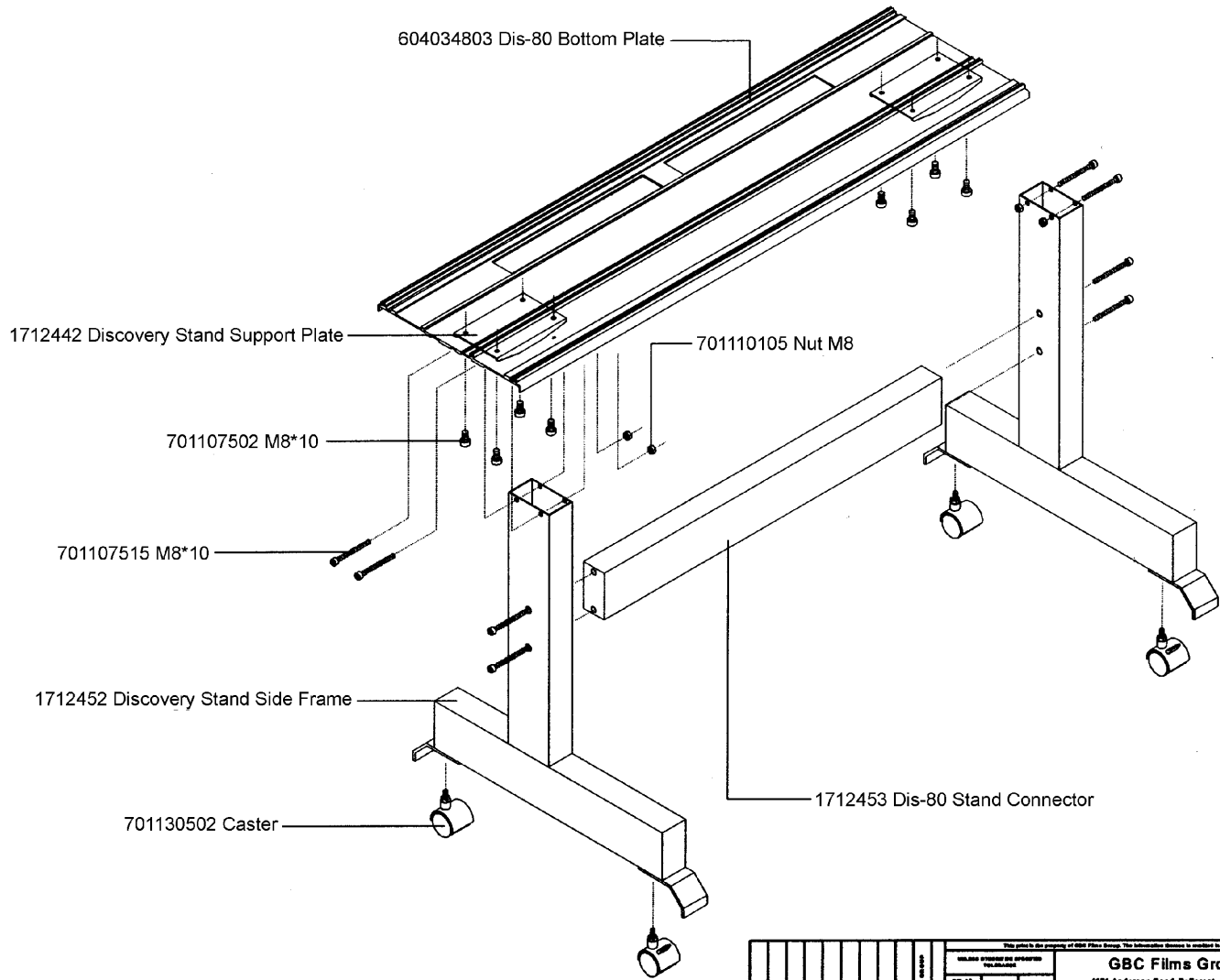
1712237 Discovery Side Cover (L)

1712419 Dis Side Trim Sticker

1712267 Sticker Dis-80

GBC FILMS GROUP			
4121 Anderson Road, DePue, WI 53222			
TITLE :			
Discovery 80: Left side cover assembly			
DATE :	DRAWN BY :	DATE :	NO. :
07/17/00	N/A	N/A	D80 - 007

PROPRIETARY
 THIS DRAWING IS THE PROPERTY OF GBC FILMS GROUP. IT IS TO BE USED ONLY FOR THE PURPOSES SPECIFIED. IT IS NOT TO BE REPRODUCED, COPIED, OR TRANSMITTED IN ANY FORM OR BY ANY MEANS, ELECTRONIC OR MECHANICAL, INCLUDING PHOTOCOPYING, RECORDING, OR BY ANY INFORMATION STORAGE AND RETRIEVAL SYSTEM, WITHOUT THE WRITTEN PERMISSION OF GBC FILMS GROUP.

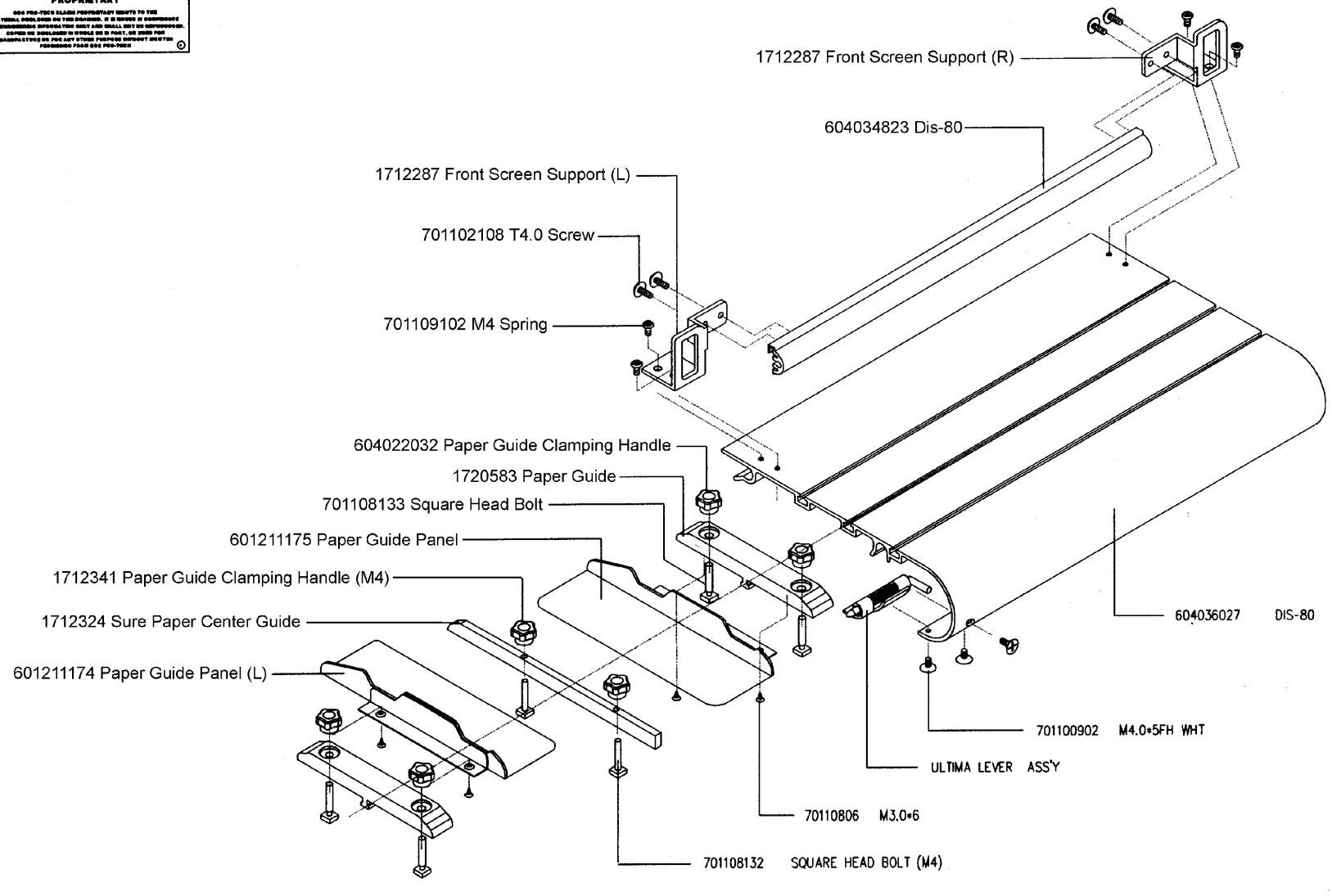


This part is the property of GBC Films Group. The manufacturer's name is included in parentheses.

MATERIALS		REVISIONS		GBC FILMS GROUP	
NO.	DESCRIPTION	DATE	BY	REASON	APPROVED

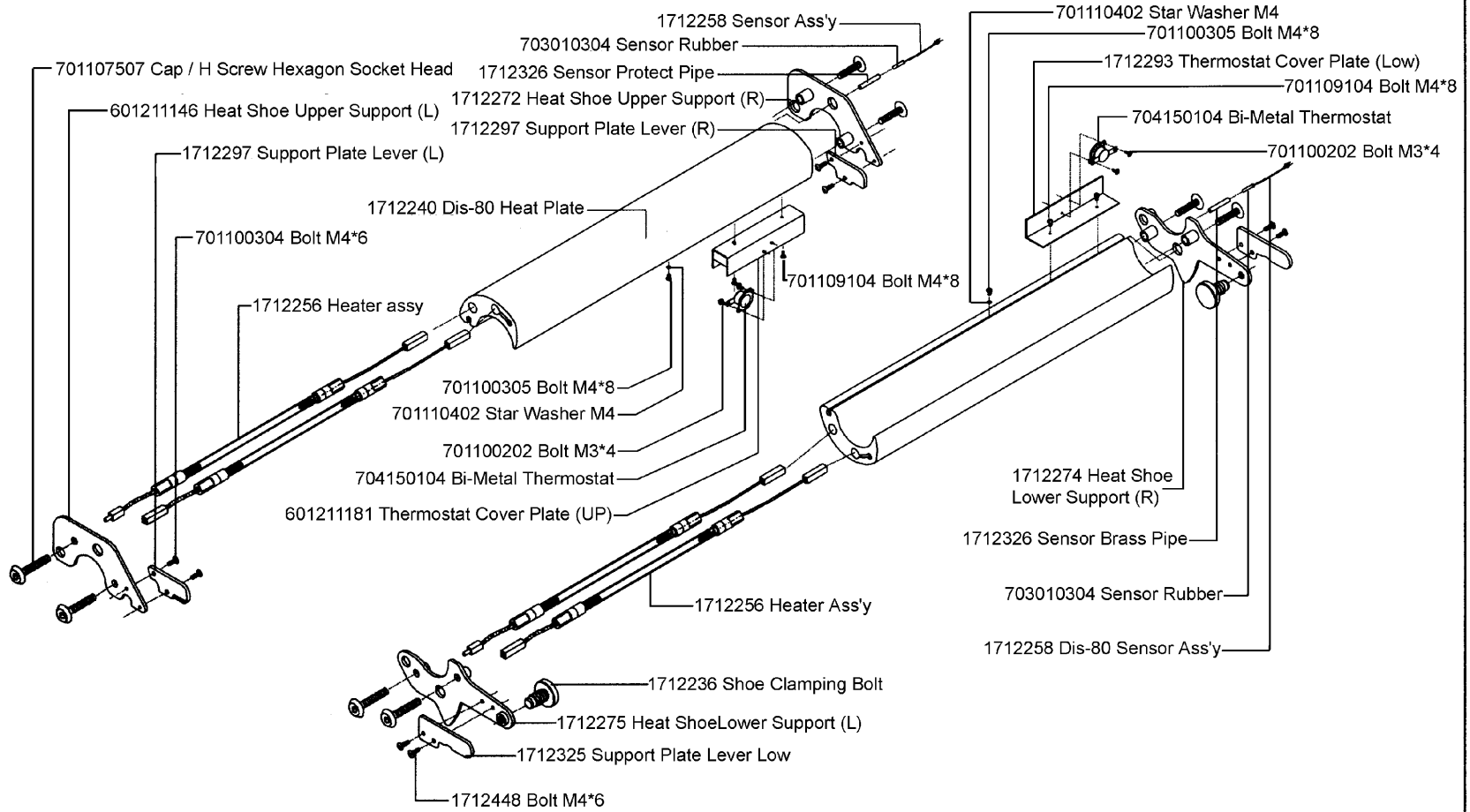
GBC Films Group 4181 Anderson Road, DeForest, WI 53522	
TITLE : Discovery 80: Stand assembly	
DATE: 07/17/00	DRAWN BY: N/A
CHECKED BY: N/A	SCALE: N/A
PART NO: D80 - 008	

PROPRIETARY
 GBC FILMS GROUP PROPRIETARY RIGHTS TO THE
 ALL INFORMATION CONTAINED HEREIN IS THE PROPERTY OF GBC FILMS GROUP. IT IS TO BE KEPT CONFIDENTIAL
 AND NOT TO BE REPRODUCED OR TRANSMITTED IN ANY FORM OR BY ANY MEANS, ELECTRONIC OR MECHANICAL,
 INCLUDING PHOTOCOPYING, RECORDING, OR BY ANY INFORMATION STORAGE AND RETRIEVAL SYSTEM.
 © 2000 GBC FILMS GROUP



GBC FILMS GROUP		4181 Anderson Road, Beaverot, WI 53002	
TITLE: Discovery 80: Feed table assembly			
DATE: 07/17/00	DESIGN BY: N/A	REV. DATE: N/A	REV. NO: 000

PROPRIETARY
 USE FOR PARTS ONLY. INFORMATION IS NOT TO BE
 REPRODUCED OR TRANSMITTED IN ANY FORM OR BY ANY MEANS,
 ELECTRONIC OR MECHANICAL, INCLUDING PHOTOCOPYING, RECORDING,
 OR BY ANY INFORMATION STORAGE AND RETRIEVAL SYSTEM, WITHOUT
 PERMISSION FROM GBC FILMS GROUP.



GBC Films Group		4151 Anderson Road, Oshkosh, WI 54902	
TITLE: Discovery 80: Shoe and sensor assembly			
DATE:	DESIGNED BY:	DWG. NO.:	REV.:
07/17/00	N/A	N/A	000 - 010

PROPRIETARY
 ALL RIGHTS RESERVED. THIS DOCUMENT IS THE PROPERTY OF GBC FILMS GROUP. IT IS TO BE USED ONLY FOR THE PURPOSES SPECIFIED HEREIN. IT IS NOT TO BE REPRODUCED, COPIED, OR TRANSMITTED IN ANY FORM OR BY ANY MEANS, ELECTRONIC OR MECHANICAL, INCLUDING PHOTOCOPYING, RECORDING, OR BY ANY INFORMATION STORAGE AND RETRIEVAL SYSTEM. GBC FILMS GROUP ASSUMES NO LIABILITY FOR ANY DAMAGES, INCLUDING CONSEQUENTIAL DAMAGES, ARISING FROM THE USE OF THIS DOCUMENT.

608020656 DIS-80 Nicrom Wire

704162819 Jumper Wire (Blue)

704162828 Jumper Wire (Blue)

701108109 Brass Bolt M3*25.5

703050208 Inside Ceramic Insulator

703050209 Outside Ceramic Insulator

701108108 Brass Bolt M3*12.5

703030128 DIS-80 Quartz Tube

70110503 Brass
Copper Cap

704162804 Heater Wire (Blue)

6130422 Brass Hexagon
Boss M3*11

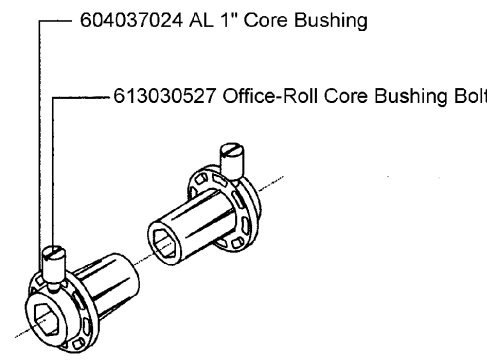
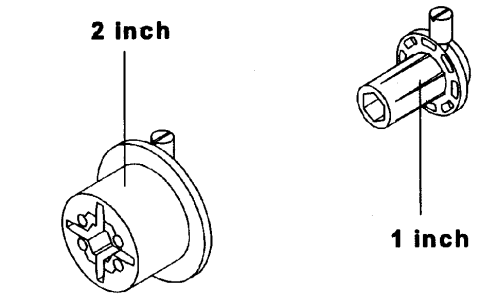
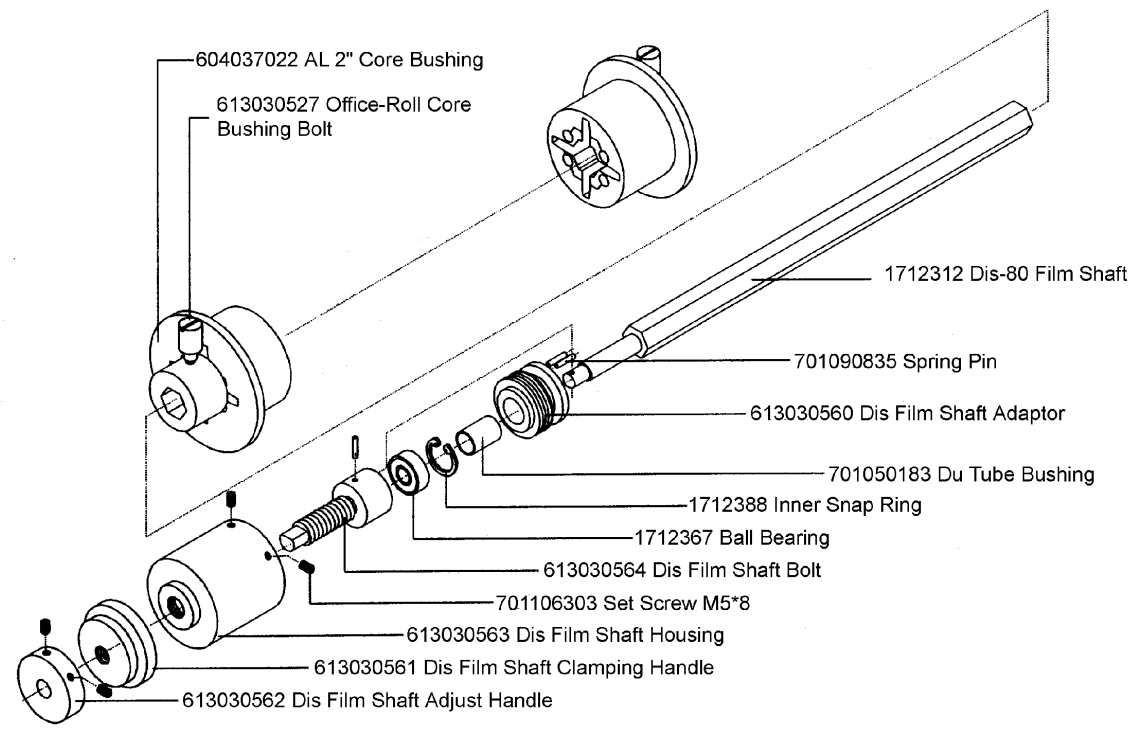
704162804 Heater Wire (Blue)

706025052 DIS-80 INFRARED HEATER ASS'Y

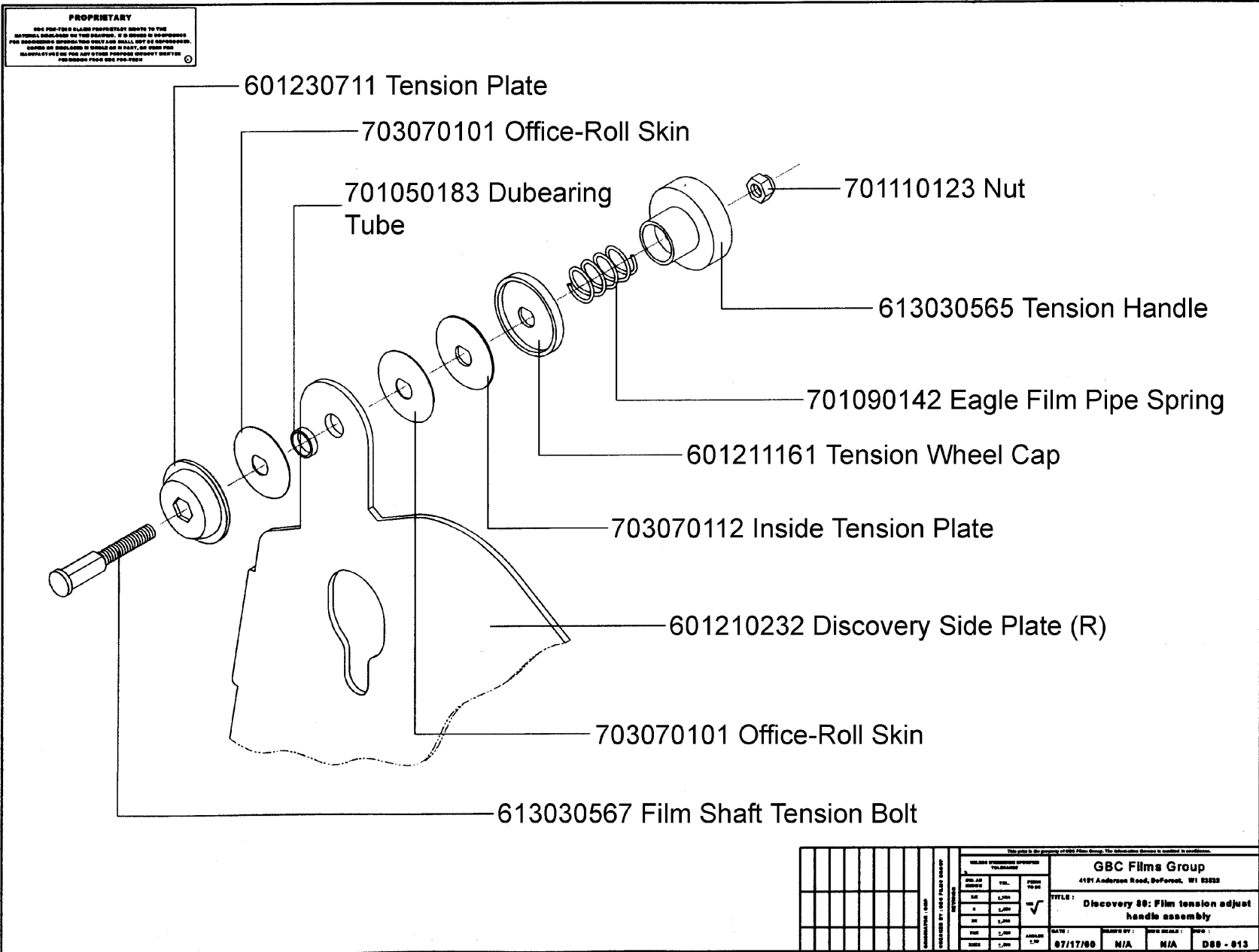
GBC FILMS GROUP		4121 Anderson Road, DeForest, WI 53522	
TITLE: Discovery 80: Infrared heater assembly			
DATE: 07/17/00	DRAWN BY: N/A	REV. NO.: N/A	QTY: D80 - 811

PROPRIETARY
 ALL FIGURE SHOWN ARE PROPRIETARY RIGHTS TO THE
 COMPANY. REPRODUCTION OR TRANSMISSION, IN ANY FORM OR BY ANY MEANS,
 WITHOUT PERMISSION IS STRICTLY PROHIBITED. ALL RIGHTS ARE RESERVED.
 NO PART OF THIS DOCUMENT IS TO BE REPRODUCED OR TRANSMITTED IN ANY FORM OR BY ANY MEANS,
 WITHOUT PERMISSION FROM THE FIGURE GROUP.

Note: 19mm I/D Shaft Only
 1 Inch Core Adapter 604037024
 2 1/4 Inch Core Adapter 604037022
 3 Inch Core Adapter 604037026

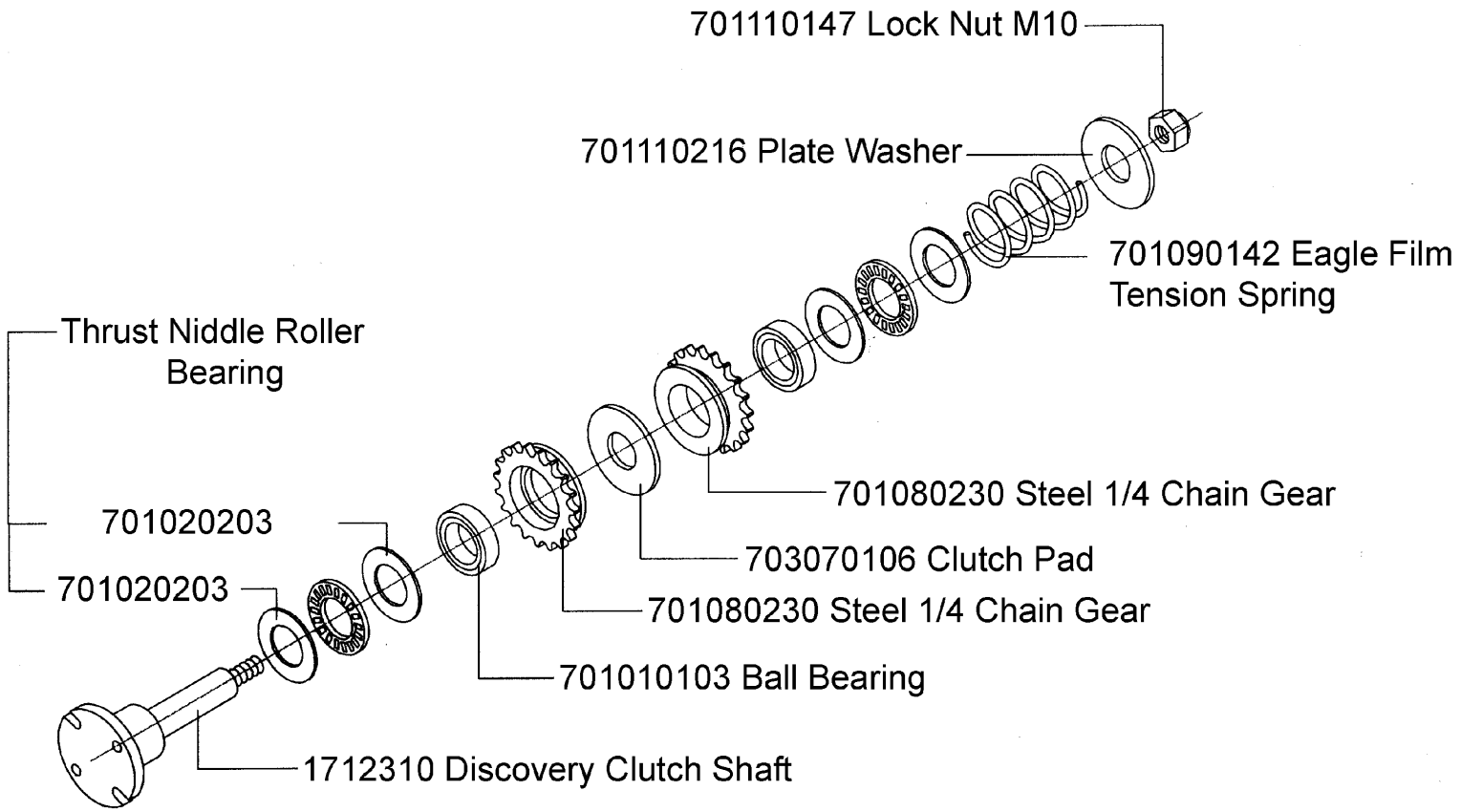


GBC Films Group 6191 Anderson Road, DeForest, WI 53528			
TITLE: Discovery 80: Unwind assembly			
DATE: 07/17/00	DESIGN BY: N/A	REV SCALE: N/A	FIG NO: D80 - 012

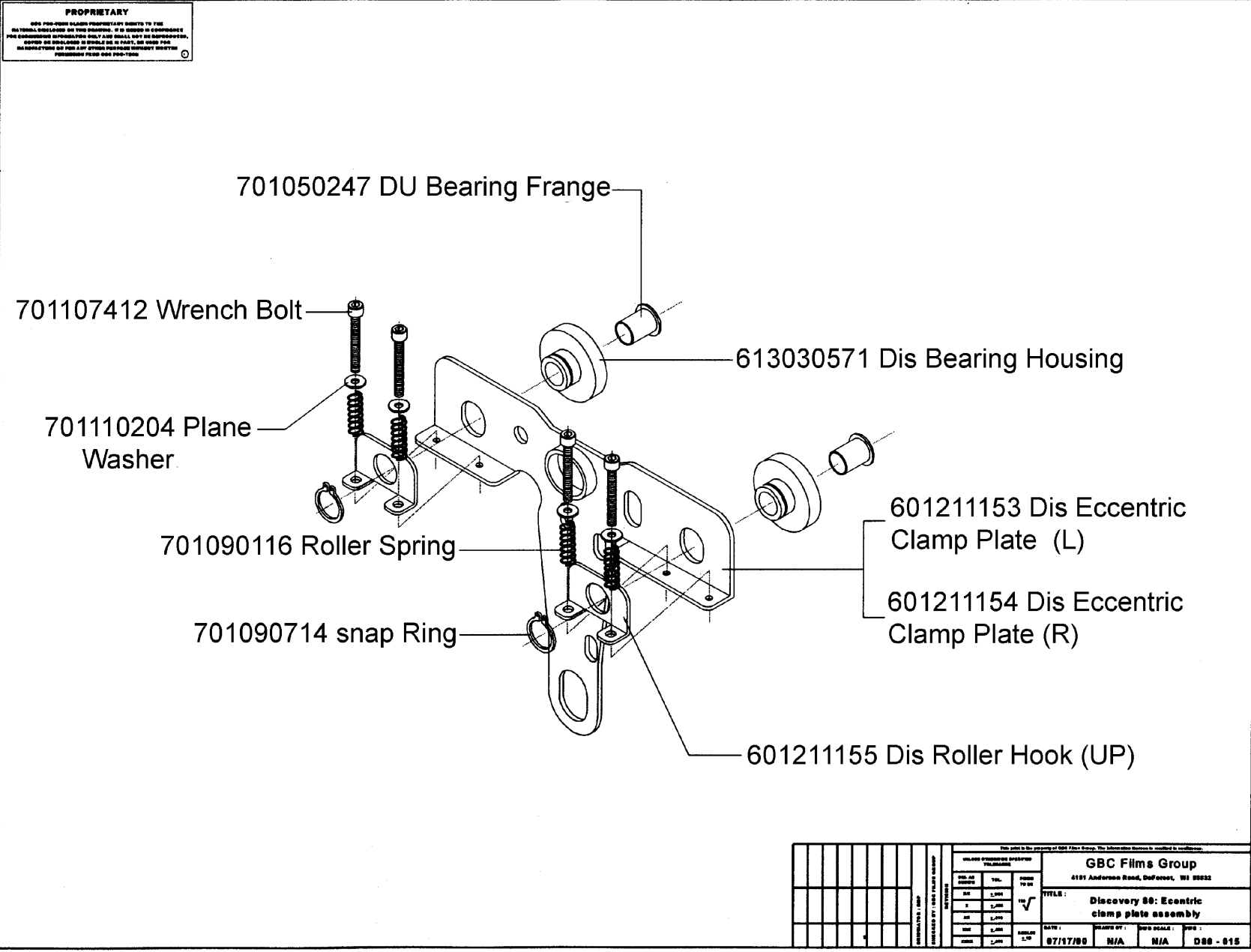


This plate is the property of GBC Films Group. The Manufacturer Name is omitted in addition.			
GBC Films Group 4191 Anderson Road, DeForest, WI 53522		TITLE: Discovery 80: Film tension adjust handle assembly	
DATE:	07/17/88	DESIGNED BY:	N/A
SCALE:	N/A	DATE:	N/A
NO.:	D88-013	REV.:	

PROPRIETARY
 THIS PATENT IS THE PROPERTY OF GBC FILMS GROUP. THE INFORMATION CONTAINED HEREIN IS UNCLASSIFIED EXCEPT WHERE SHOWN OTHERWISE. IT IS SUBJECT TO EXPORT CONTROL REGULATIONS AND MAY BE SUBJECT TO EXPORT CONTROL RESTRICTIONS. IT IS THE PROPERTY OF GBC FILMS GROUP AND IS NOT TO BE REPRODUCED, COPIED, OR TRANSMITTED IN ANY FORM OR BY ANY MEANS, ELECTRONIC OR MECHANICAL, INCLUDING PHOTOCOPYING, RECORDING, OR BY ANY INFORMATION STORAGE AND RETRIEVAL SYSTEM, WITHOUT PERMISSION FROM GBC FILMS GROUP.



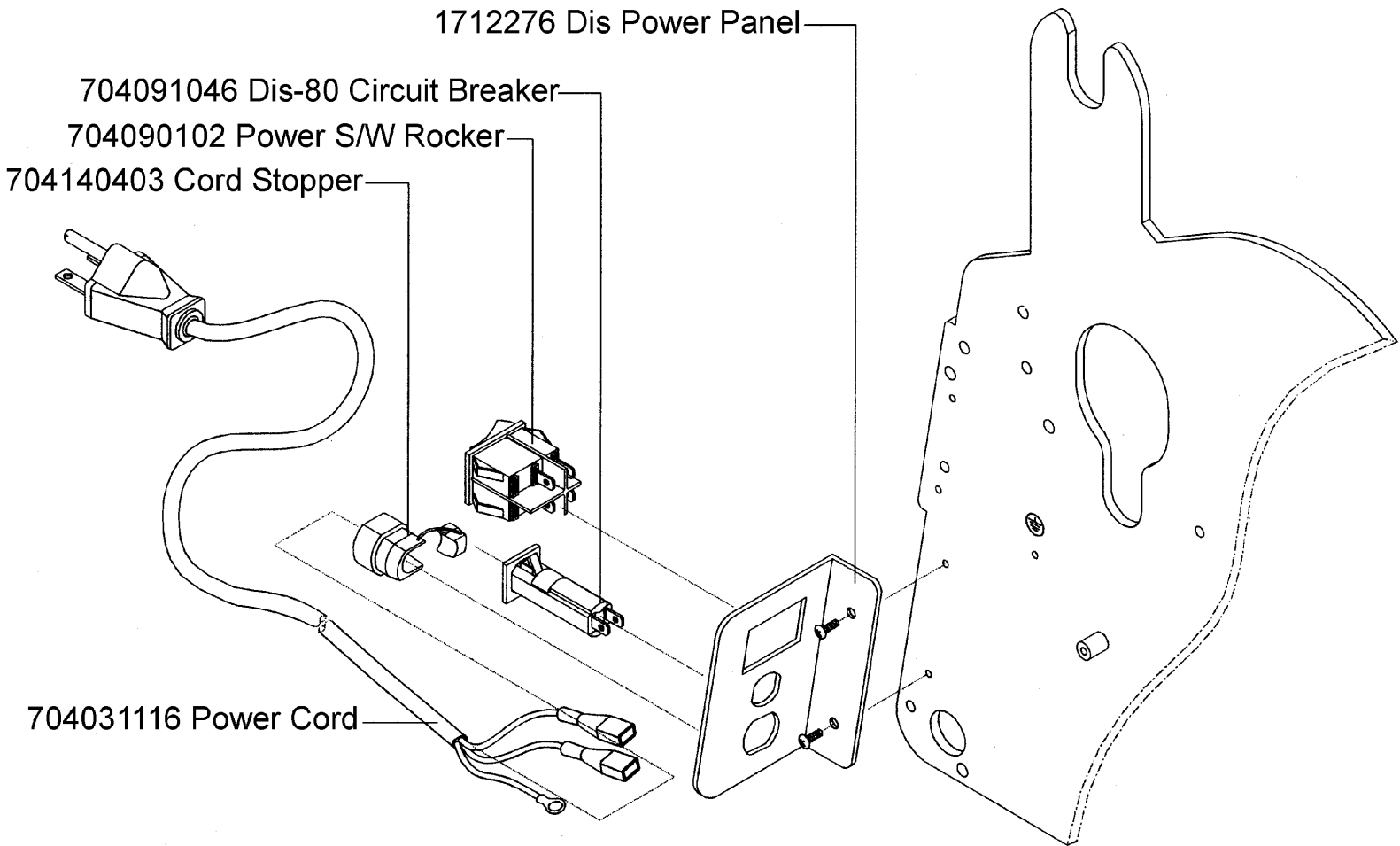
GBC FILMS GROUP			
4121 Anderson Road, DeForest, WI 53522			
TITLE: Discovery 86: Clutch assembly			
DATE: 07/17/00	DESIGNED BY: N/A	REVISED BY: N/A	REVISED DATE: 088 - 014



PROPRIETARY
 GBC FILMS GROUP PROPRIETARY RIGHTS TO THE
 PATENT PENDING IN THIS DRAWING. IT IS HEREBY IN COMPLIANCE
 WITH THE PATENT ACT OF 1977 AND SHALL NOT BE REPRODUCED,
 COPIED OR DISCLOSED IN WHOLE OR IN PART, OR USED FOR
 REPRODUCTION OF THIS OR OTHER PATENTED WITHOUT WRITING
 PERMISSION FROM GBC FILMS GROUP.

GBC FILMS GROUP			
4151 Anderson Road, DeForest, WI 53528			
TITLE: Discovery 80: Eccentric clamp plate assembly			
DATE:	DRAWN BY:	PROD SCALE:	REV:
07/17/89	N/A	N/A	D88 - 015

PROPRIETARY
 See the GBC Films Group Proprietary Rights to the
 Intellectual Property of this document. It is made in accordance
 with the provisions of the GBC Films Group Patent.
 No part of this document may be reproduced, stored in a retrieval system,
 or transmitted in any form or by any means, electronic, mechanical,
 photocopying, recording, or by any information storage and retrieval system,
 without the prior written permission of GBC Films Group.



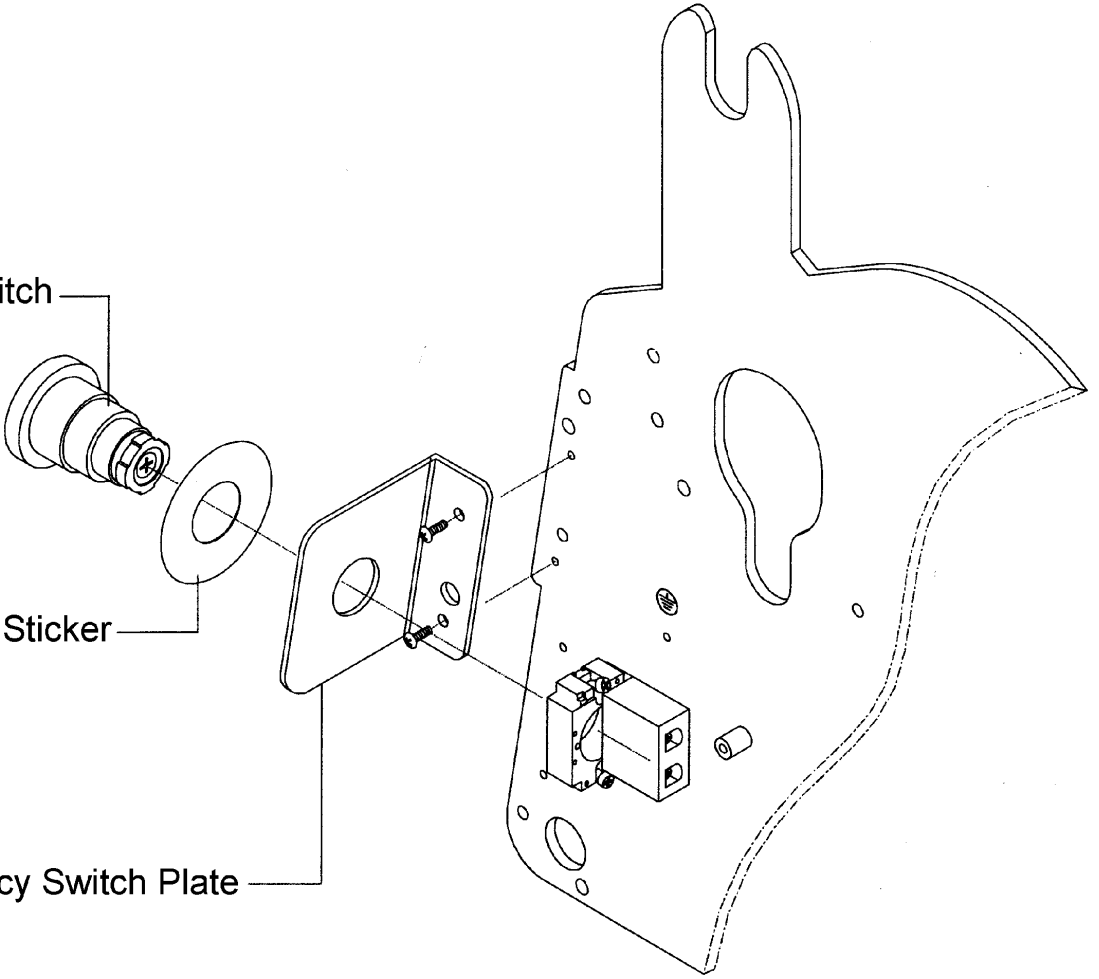
GBC Films Group 4151 Anderson Road, DeForest, WI 53522	
TITLE : Discovery 80: Power panel assembly	
DATE : 07/17/00	SCALE : N/A
DESIGNED BY : N/A	DRWING NO : D88 - 016

PROPRIETARY
 GBC FILM GROUP CLAIMS PROPRIETARY RIGHTS TO THE
 DESIGN AND APPEARANCE OF THE MARKING. IF IT SHOULD BE REPRODUCED
 FOR COMMERCIAL PURPOSES THE ONLY USE SHALL BE TO REPRODUCE
 EXACT AS SHOWN AND SHOULD BE IN FULL COMPLIANCE WITH ALL
 APPLICABLE AND FOR ANY OTHER PURPOSE WITHOUT WRITTEN
 PERMISSION FROM GBC FILM GROUP

704090252 Emergency Switch

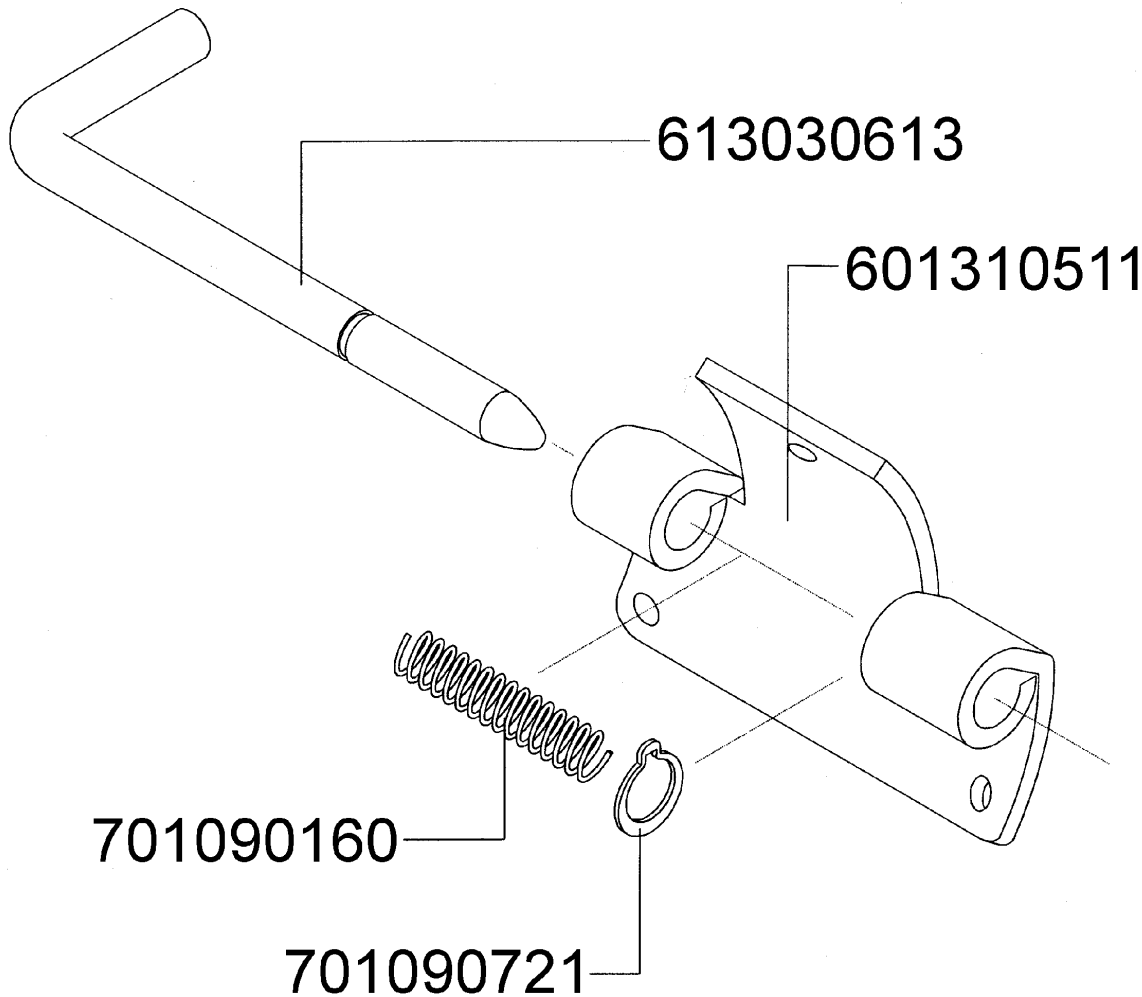
803040343 Emergency Switch Sticker

601211171 Emergency Switch Plate



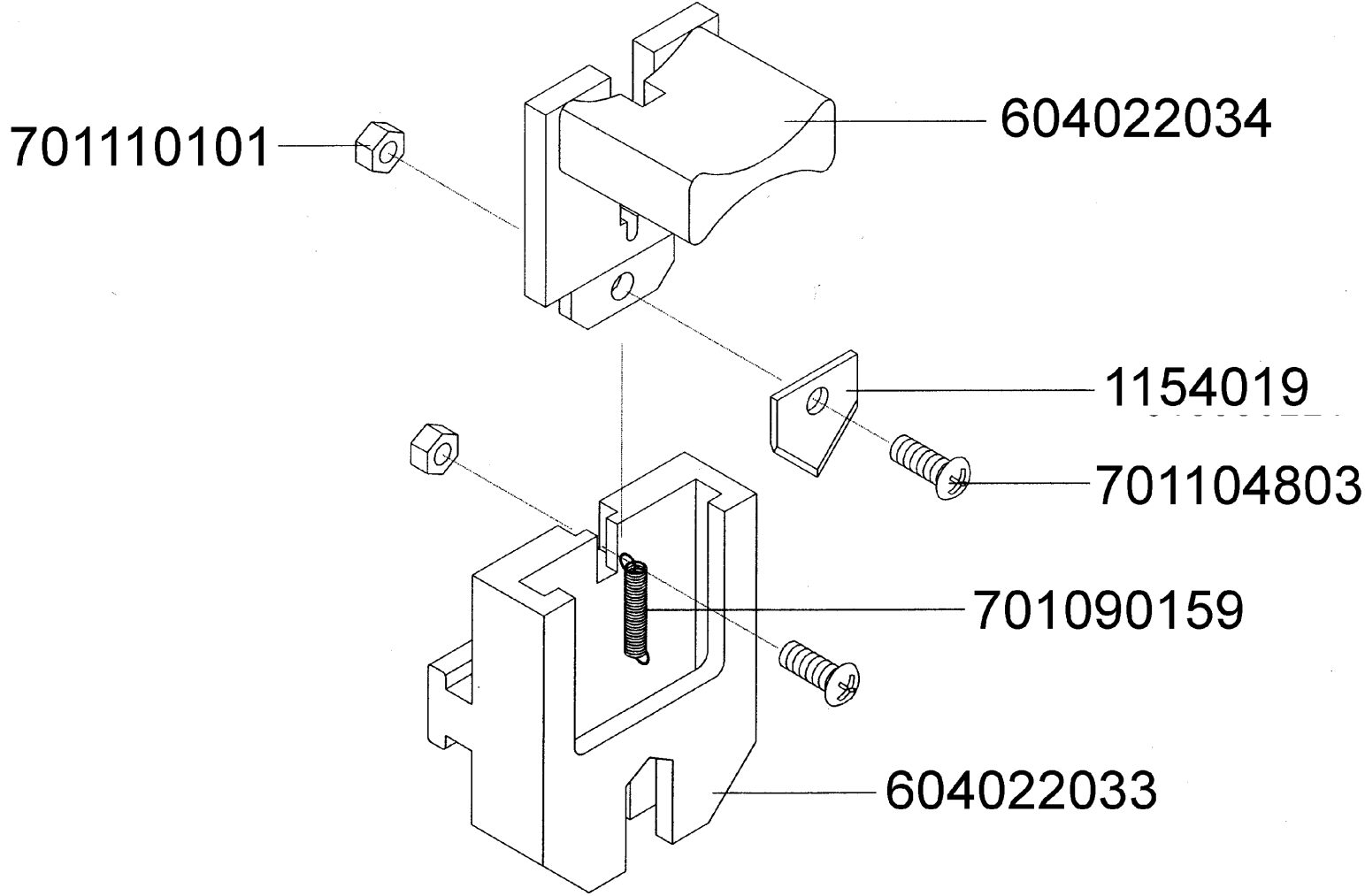
This sheet is the property of GBC Film Group. The information therein is confidential.											
GBC FILMS GROUP						GBC Films Group 4181 Anderson Road, DeForest, WI 53522					
TITLE :						Discovery 80: Emergency sw Rch assembly					
DATE :						07/17/08		DRAWN BY :		N/A	
CHECKED BY :						N/A		DATE :		N/A	
APPROVED BY :						N/A		DATE :		N/A	
PART NUMBER :						601211171		REV :		017	
QUANTITY :								UNIT :			
MATERIAL :								FINISH :			
DIMENSIONS :								WEIGHT :			
DRAWN BY :								CHECKED BY :			
DATE :								APPROVED BY :			
TITLE :								PART NUMBER :			
DATE :								REV :			
DRAWN BY :								CHECKED BY :			
DATE :								APPROVED BY :			

PROPRIETARY
 ALL RIGHTS RESERVED. THIS DOCUMENT IS THE PROPERTY OF GBC FILMS GROUP. IT IS LOANED TO YOU FOR YOUR INFORMATION ONLY. IT IS NOT TO BE REPRODUCED, COPIED, OR DISTRIBUTED IN ANY MANNER WITHOUT THE WRITTEN PERMISSION OF GBC FILMS GROUP.



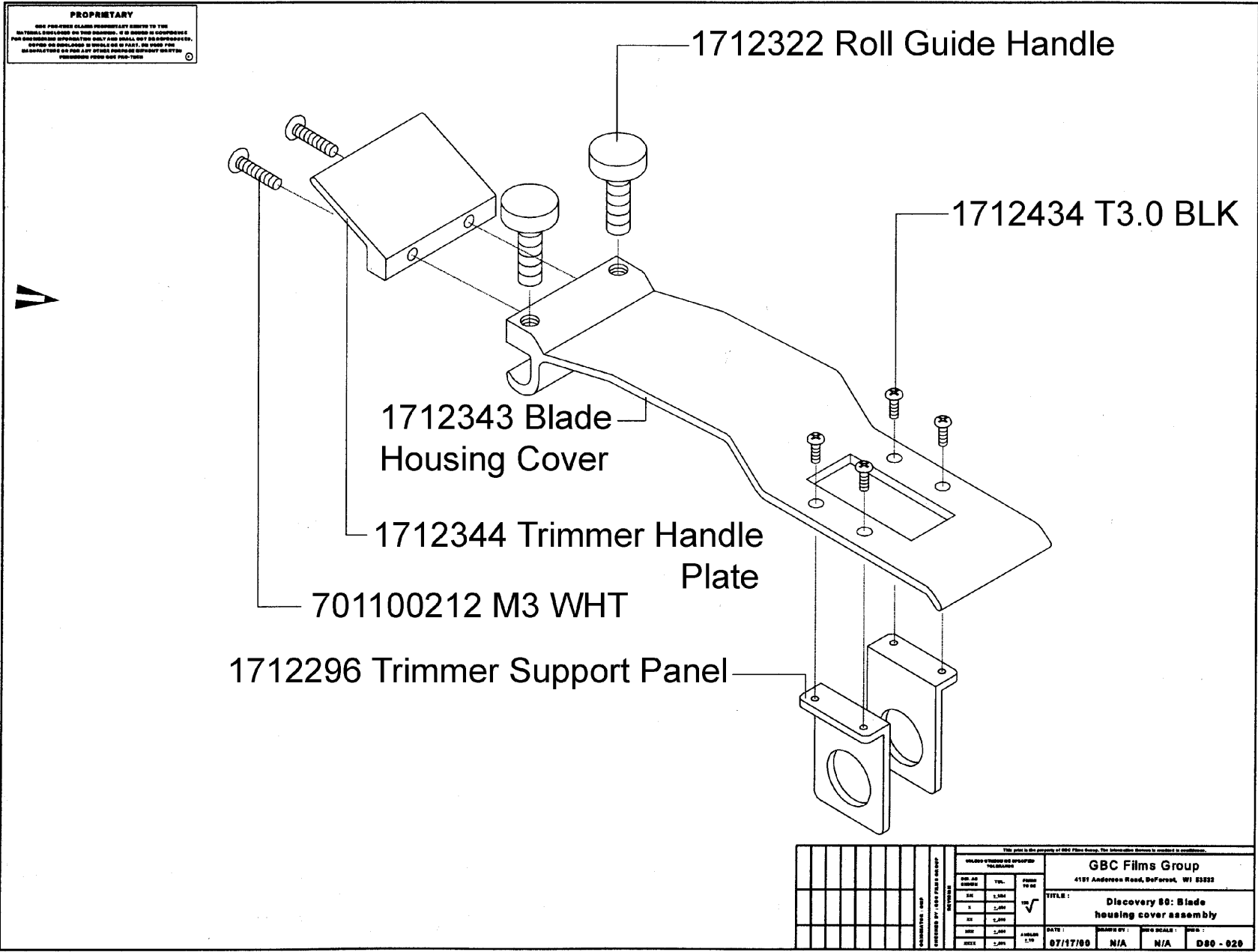
This plan is the property of GBC Films Group. The information herein is intended for confidential use only.			
GBC Films Group 4121 Anderson Road, DeForest, WI 53532			
TITLE: Discovery 80: Safety lever assembly			
DATE:	DESIGN BY:	REV. NO.:	NO.:
07/17/88	N/A	N/A	D88 - 018

PROPRIETARY
 THIS PRODUCT IS A TRADE SECRET OF GBC FILMS GROUP. IT IS MADE IN SWITZERLAND.
 FOR INFORMATION, INFORMATION ONLY AND SHALL NOT BE REPRODUCED.
 COPIES OR REPRODUCTIONS IN WHOLE OR IN PART, OR THE USE FOR
 ANY OTHER PURPOSE WITHOUT THE WRITTEN PERMISSION OF GBC FILMS GROUP
 IS PROHIBITED.



REVISIONS			GBC FILMS GROUP			
REV.	DESCRIPTION	DATE	BY	CHECKED	DATE	

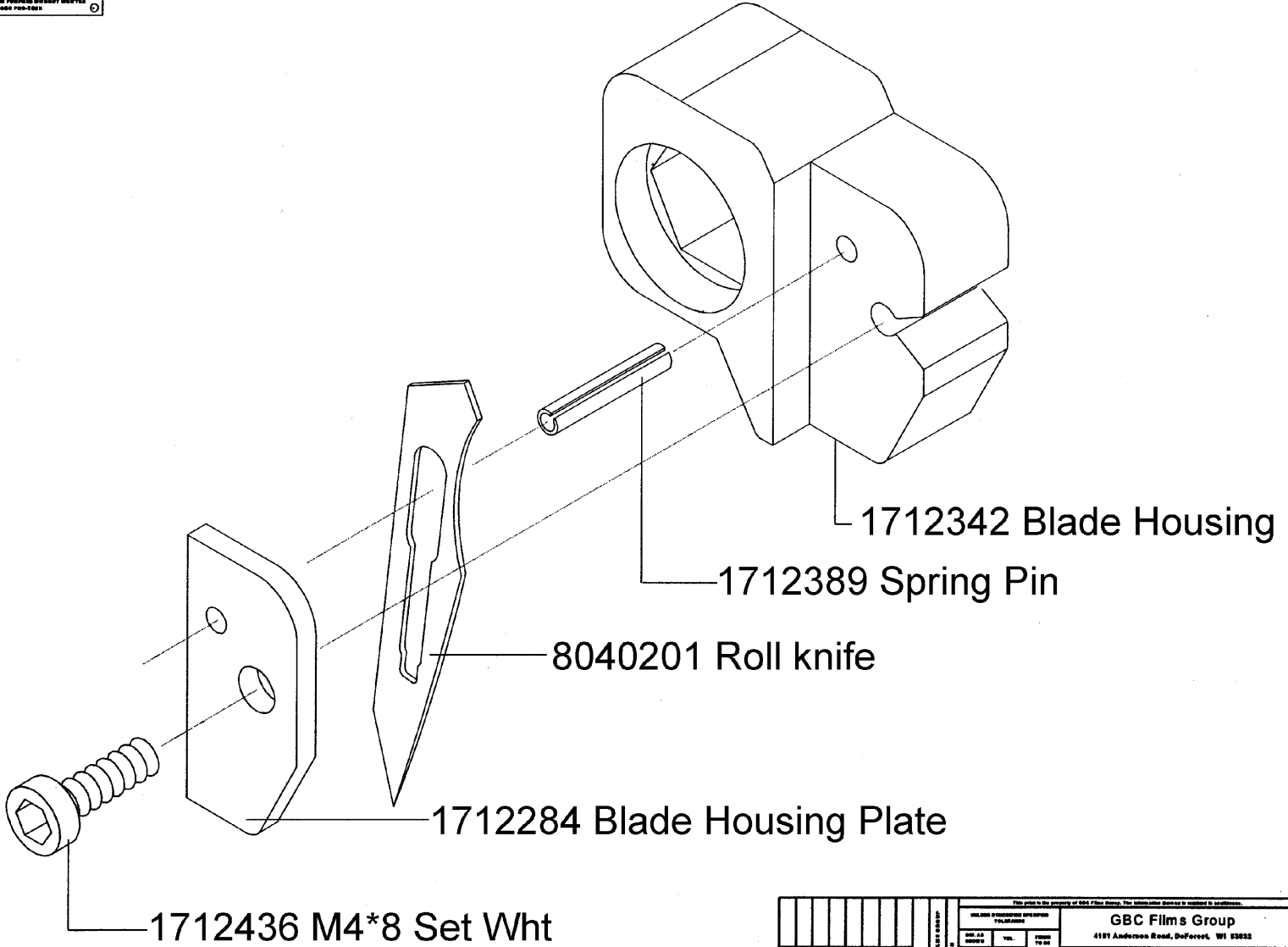
GBC FILMS GROUP		4181 Anderson Road, DeForest, WI 53532	
TITLE :		Discovery 80: Sitter assembly	
DATE :	07/17/00	SCALE :	N/A
DRAWN BY :	N/A	CHECKED BY :	N/A
ISSUE :	D80 - 019		



PROPRIETARY
 NOT FOR SALE
 THIS DRAWING IS THE PROPERTY OF GBC FILMS GROUP. THE INFORMATION CONTAINED HEREIN IS UNCLASSIFIED AND IS NOT TO BE REPRODUCED, COPIED, OR TRANSMITTED IN ANY FORM OR BY ANY MEANS, ELECTRONIC OR MECHANICAL, INCLUDING PHOTOCOPYING, RECORDING, OR BY ANY INFORMATION STORAGE AND RETRIEVAL SYSTEM. WITHOUT THE WRITTEN PERMISSION OF GBC FILMS GROUP.

GBC Films Group 4157 Anderson Road, DeForest, WI 53522			
TITLE: Discovery 80: Blade housing cover assembly			
DATE:	07/17/80	SCALE:	N/A
BY:	N/A	CHKD:	N/A
APP'D:		QTY:	020 - 020

PROPRIETARY
 ONE PRO-TEC CLAIM PROPRIETARY RIGHTS TO THE
 DESIGN INCLUSIVE OF THIS DRAWING. IF IT SHOULD BE REPRODUCED
 FOR ANY PURPOSES WITHOUT THE WRITTEN PERMISSION OF PRO-TEC, THE
 REPRODUCER SHALL BE HELD RESPONSIBLE FOR ALL DAMAGES AND
 LOSSES INCURRED BY THE REPRODUCER. NO PART OF THIS DRAWING
 MAY BE REPRODUCED OR TRANSMITTED IN ANY FORM OR BY ANY MEANS
 WITHOUT THE WRITTEN PERMISSION OF PRO-TEC.



This plate is the property of GBC Films Group. The information therein is intended for internal use only.			
GBC Films Group			
4191 Anderson Road, DeForest, WI 53622			
TITLE:			
Discovery 80: Blade housing assembly			
DATE:	DESIGNED BY:	PRO-DRAWN:	APP'D:
07/17/00	N/A	N/A	D80 - 021