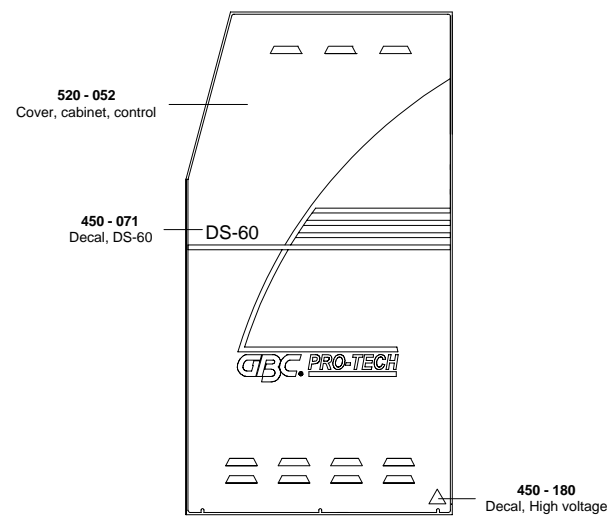


Dye Sub 60
Illustrated Parts Diagrams
(000 - 052)

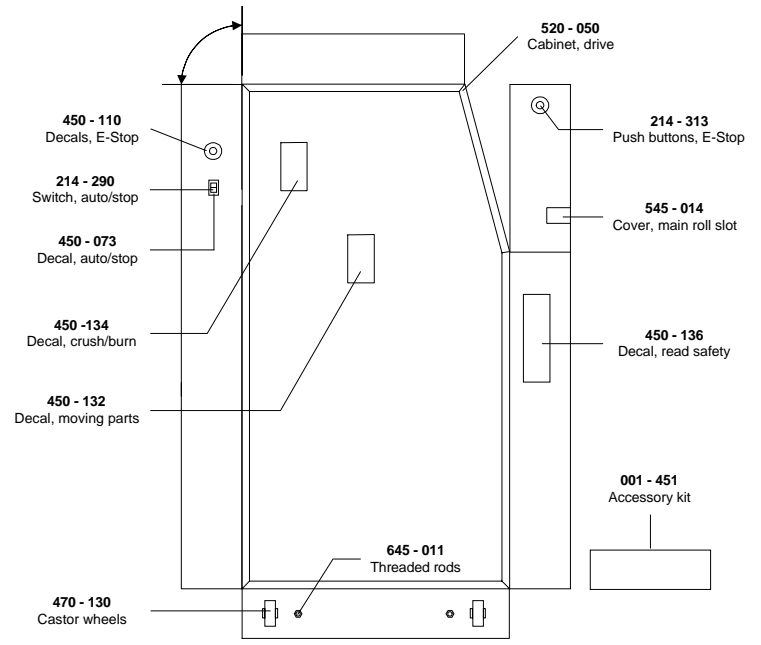
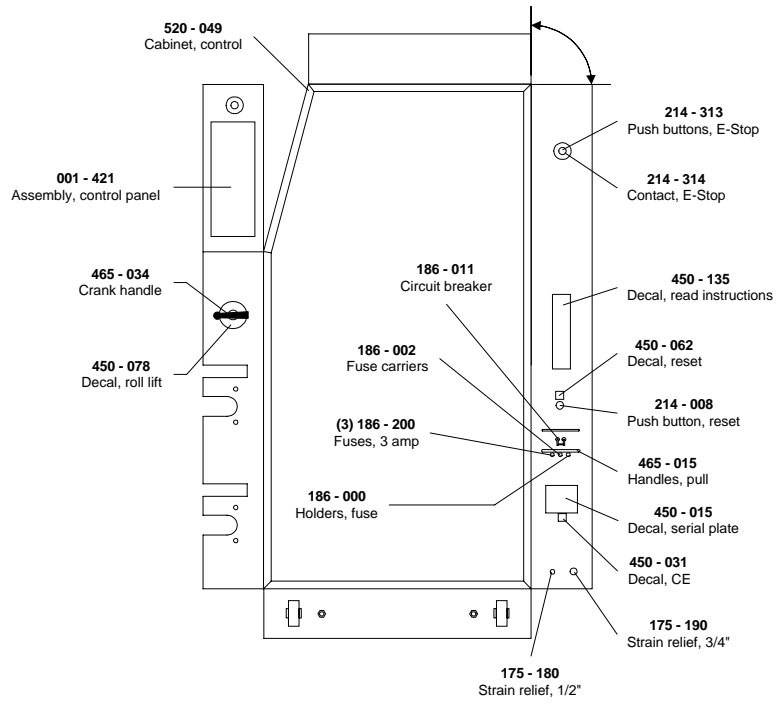
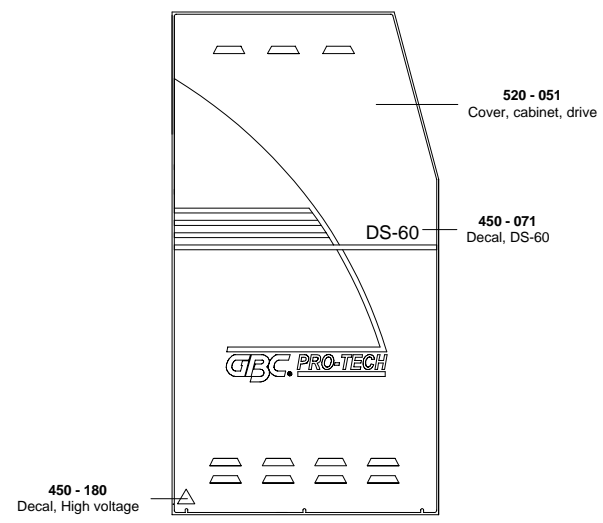
Available Options :

005 - 041 (Positive Rewind)

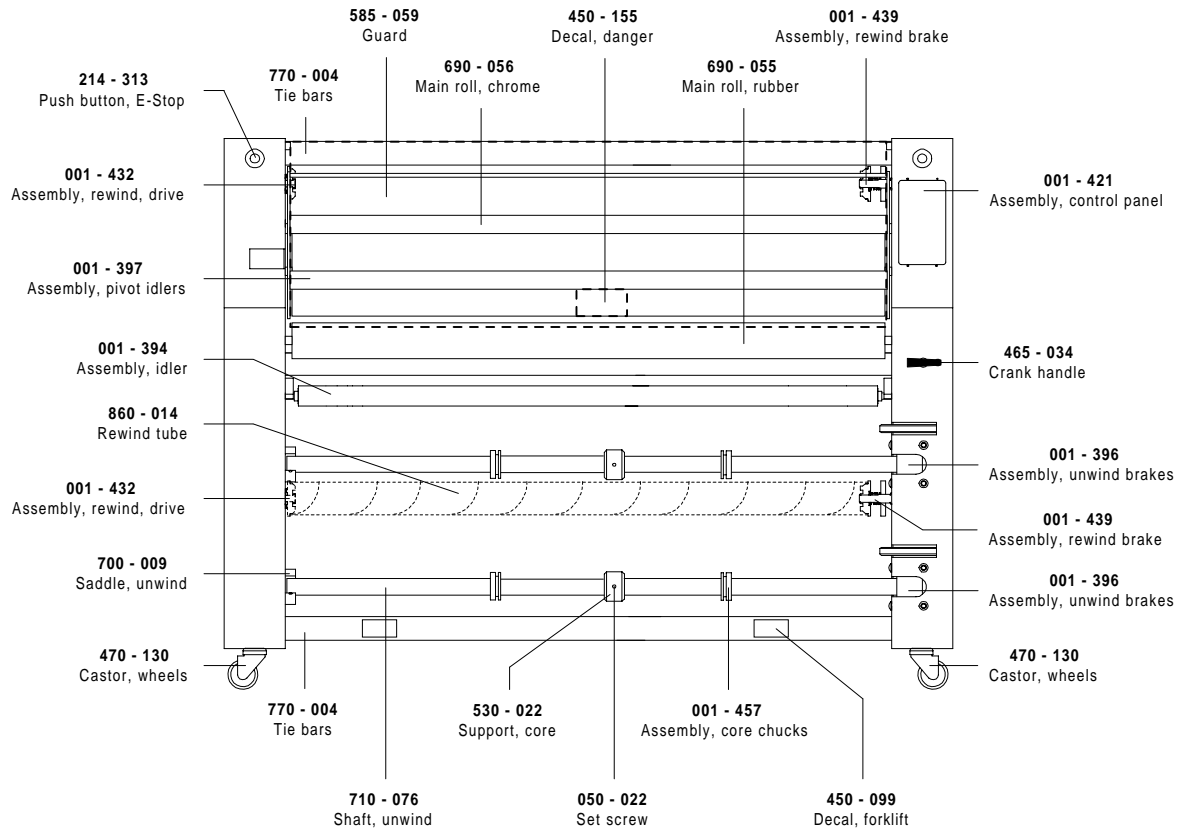
Control Side



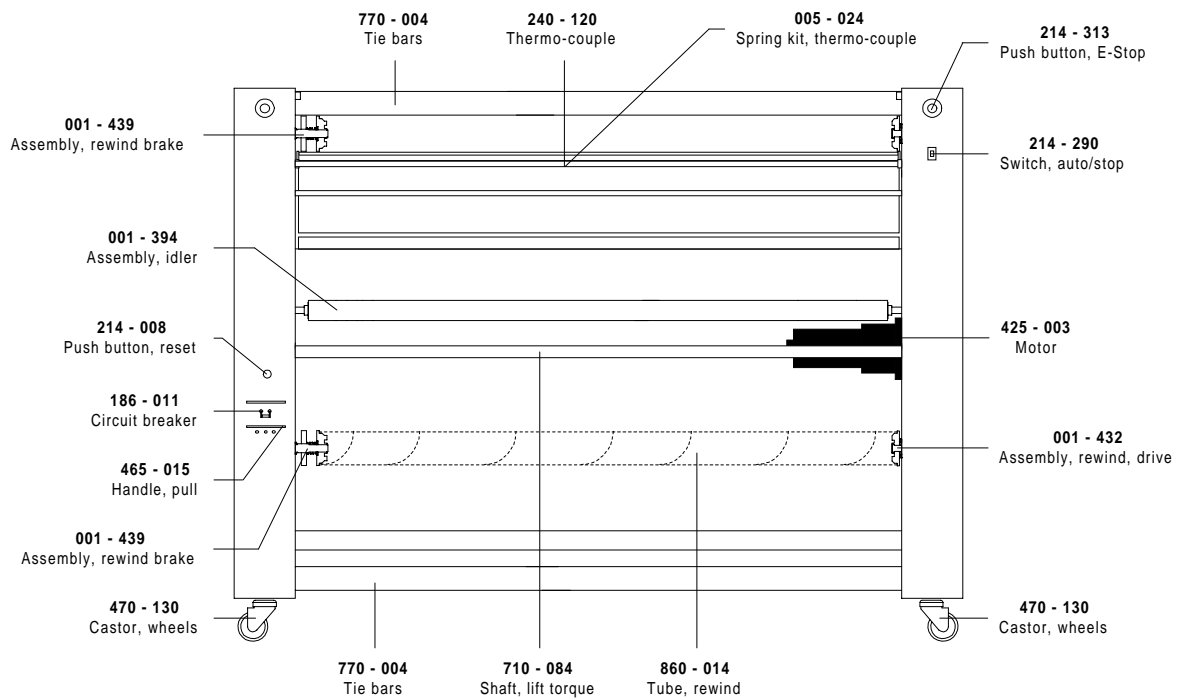
Drive Side

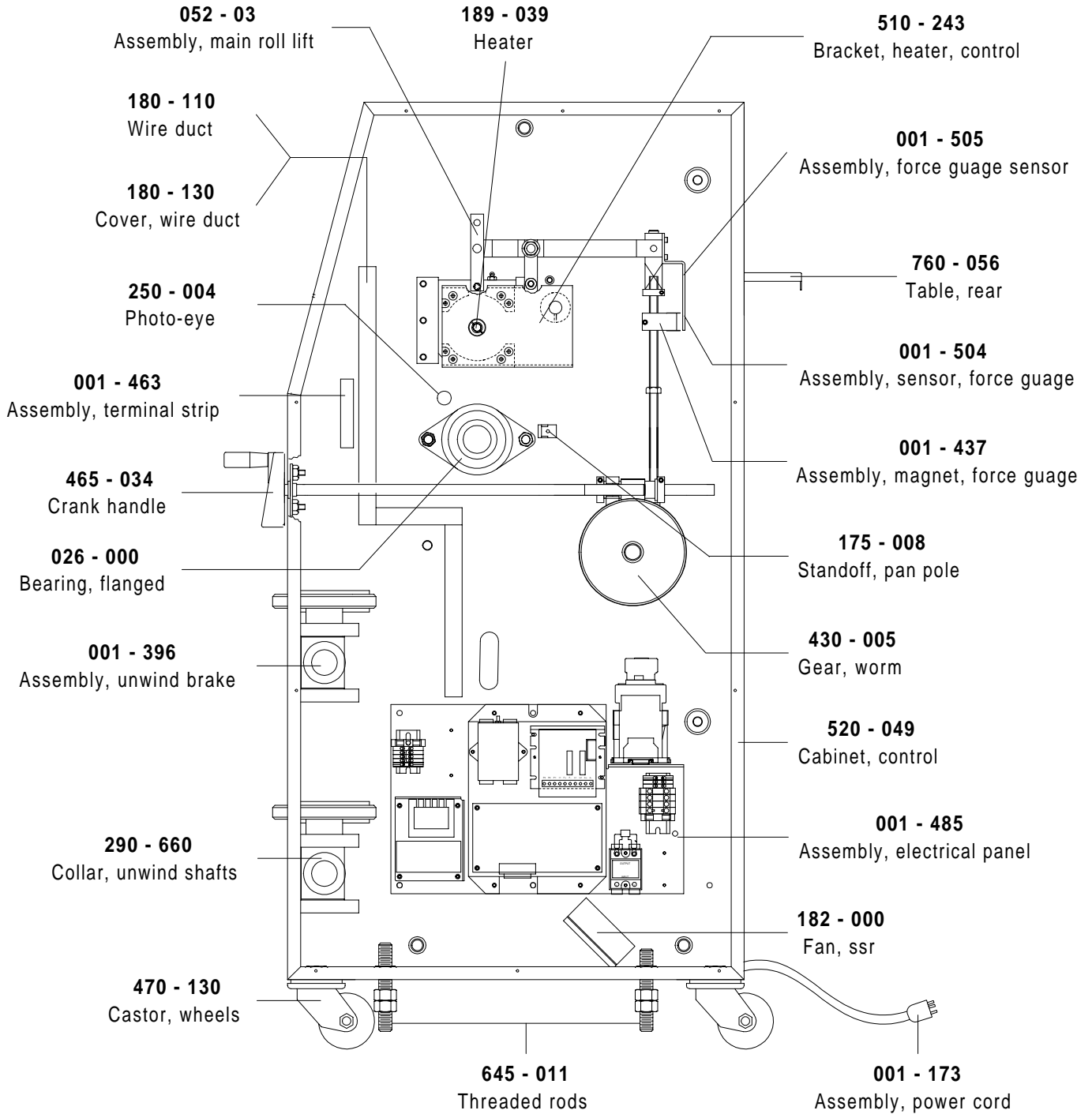


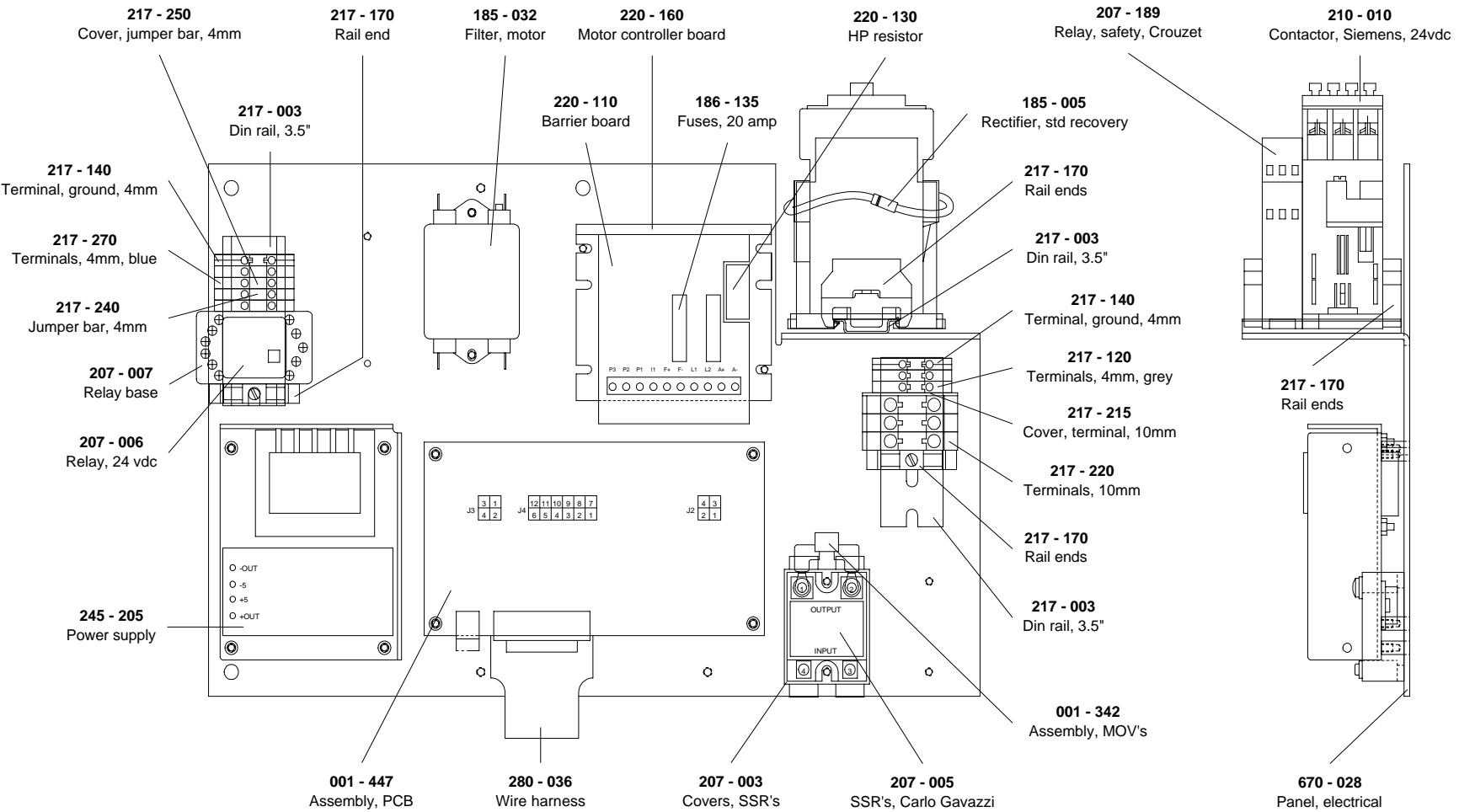
Front View



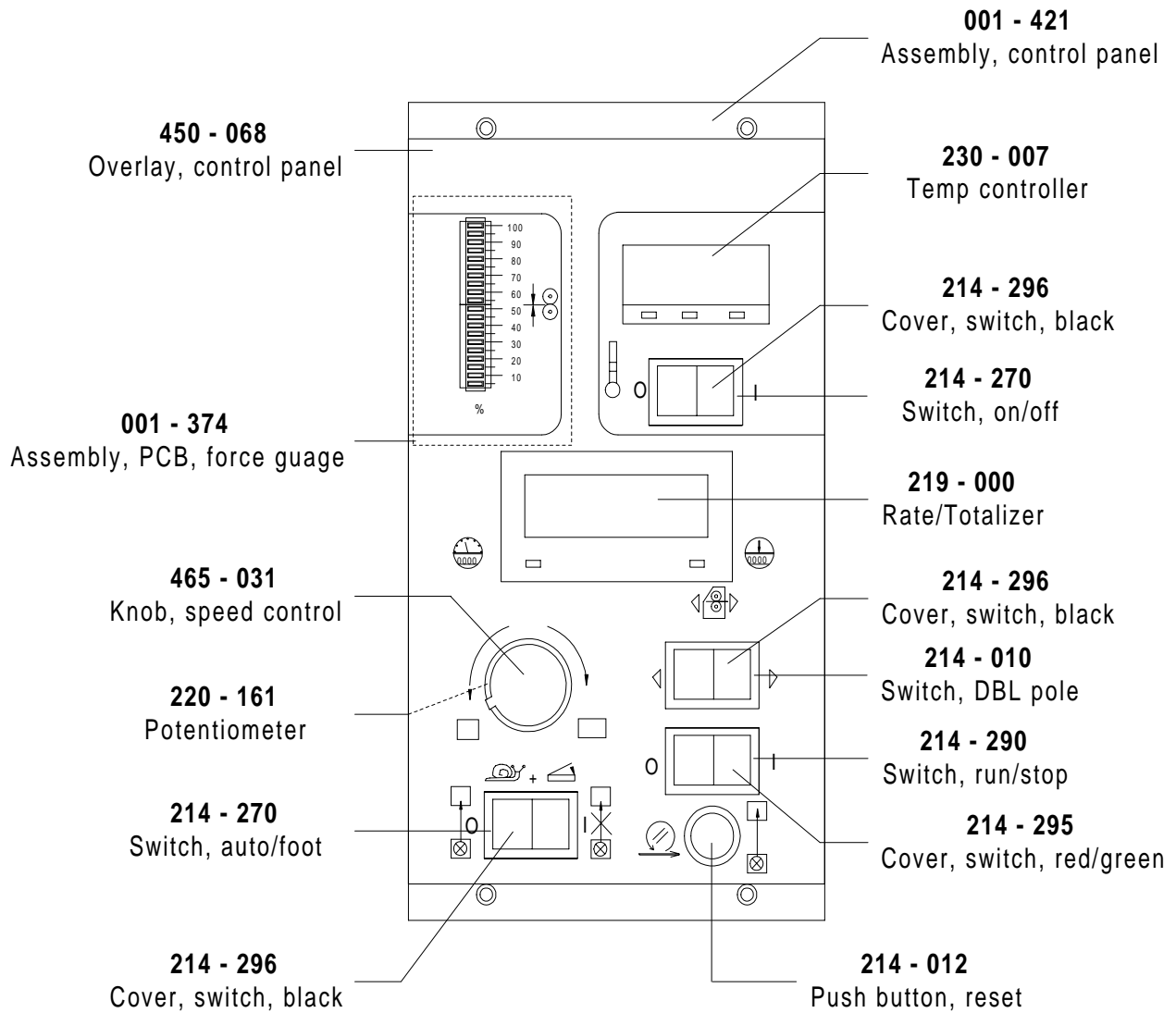
Rear View



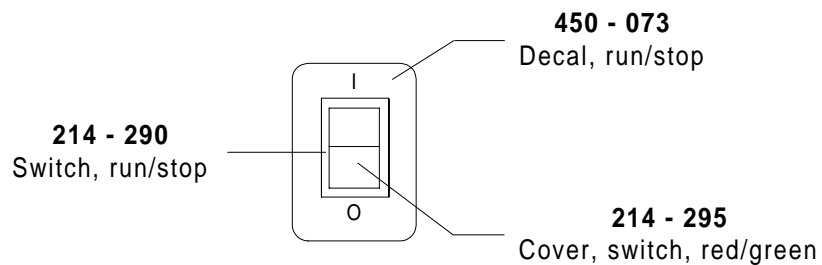


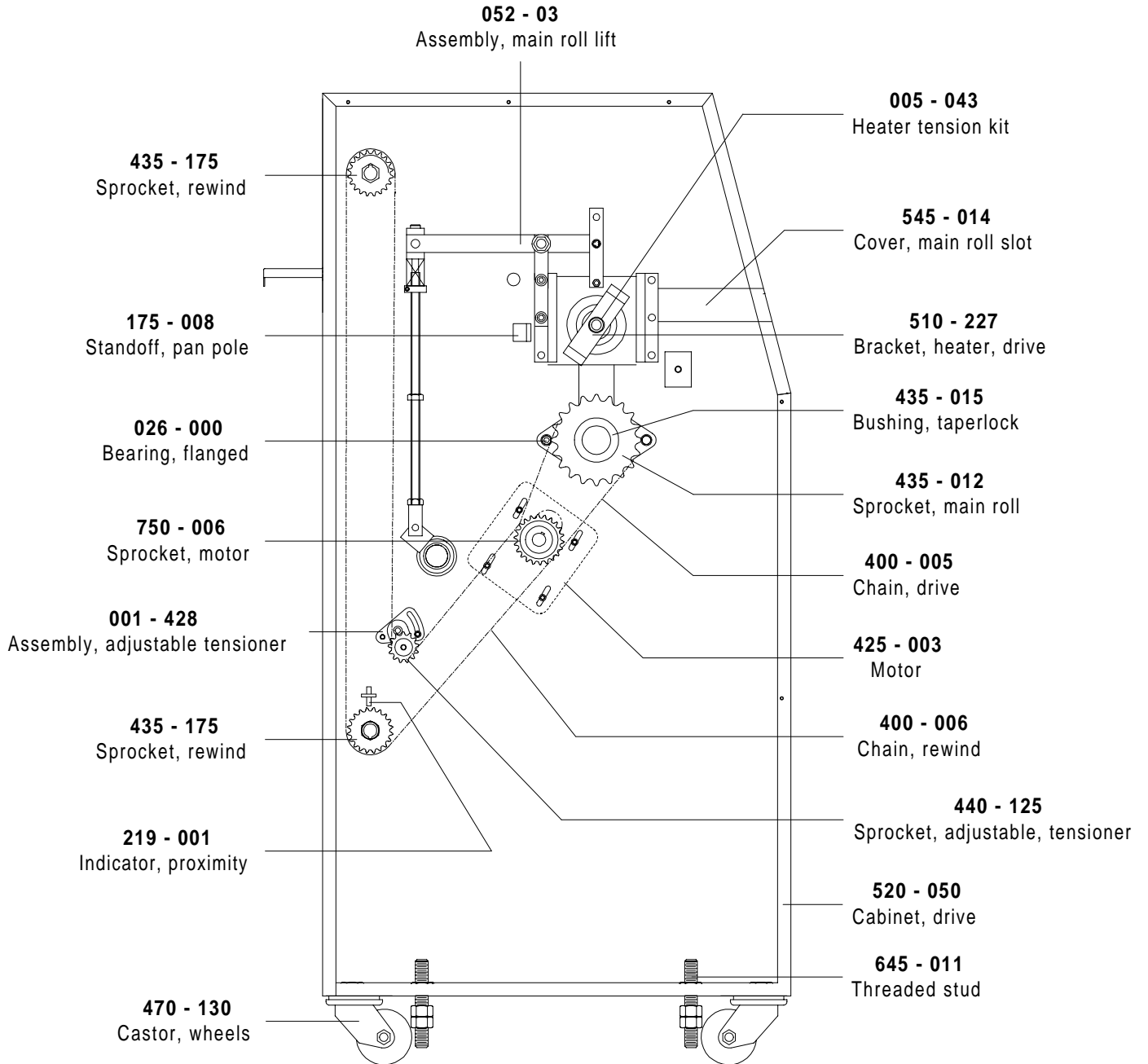


001 - 421 Front Control Panel

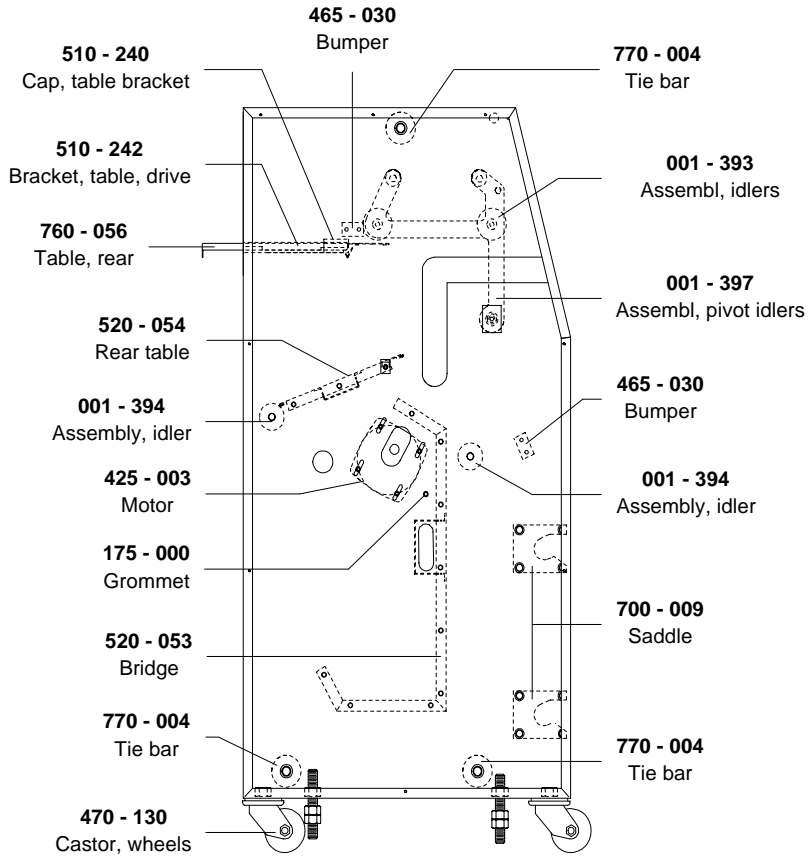


Rear Control Panel

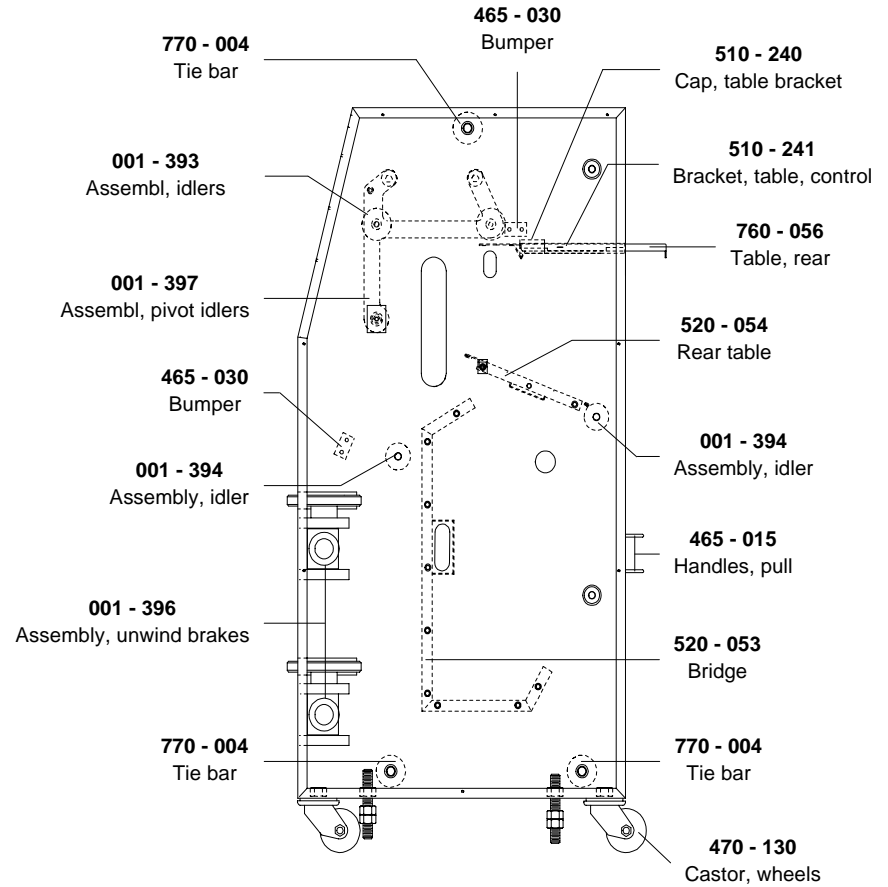




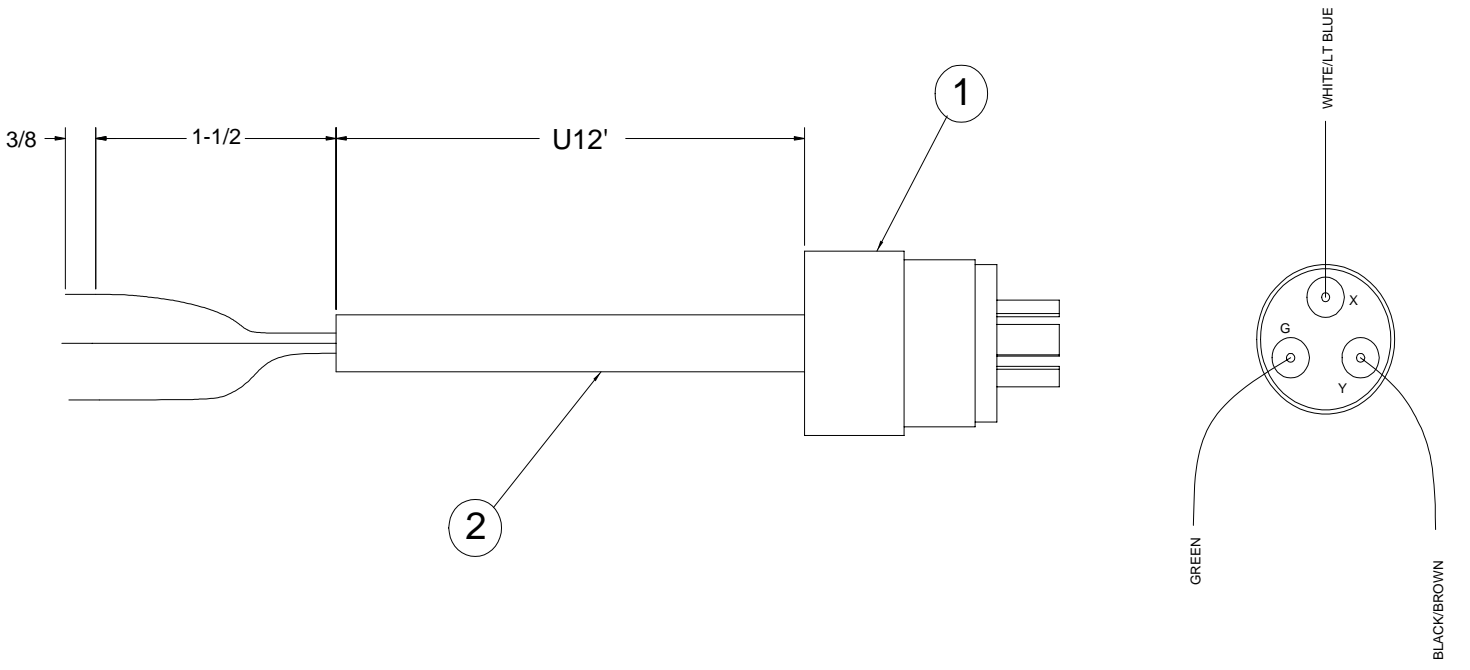
Drive Side



Control Side



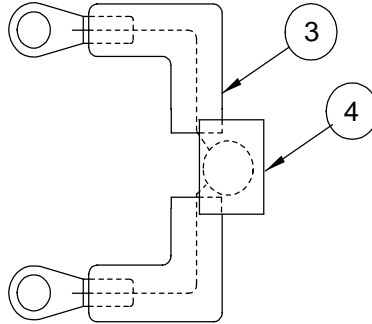
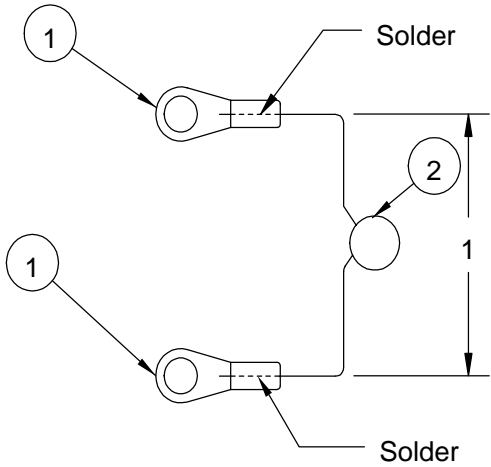
REQ'D	DESCRIPTION	PART NO.	ITEM
1	PLUG,POWER,30AMP,250V	201-200	1
12	CABLE,POWER,10/3	270-105	2



<small>This print is the property of PRO-TECH ENGINEER. The information herein is limited to confidence.</small>			
UNLESS OTHERWISE SPECIFIED TOLERANCE		Pro-Tech Engineering 2117 N. Shaughton Rd. Madison, Wisconsin 53704 Phone (608) 248-8844 Fax (608) 248-8845	
DIM AS SHOWN .XX .X .XX .XXX	TOL. .154 .020 .020 .020	FINISH TO BE ✓	TITLE: ASSEMBLY,CABLE,POWER FALCON-36
REVISION 1 2	DATE: 9-27-94	DRAWN BY: RAS	DWG SCALE: C1 Dwg: 001-173

REQ'D	DESCRIPTION	PART NO.	ITEM
2	Connector ring	215-006	1
1	METAL-OXIDE VARISTOR	185-006	2
2	SHRINK TUBE, 1/8" DIA. BY 1.0"	180-425	3
1	SHRINK TUBE, 0.5" DIA. BY 0.85"	180-450	4

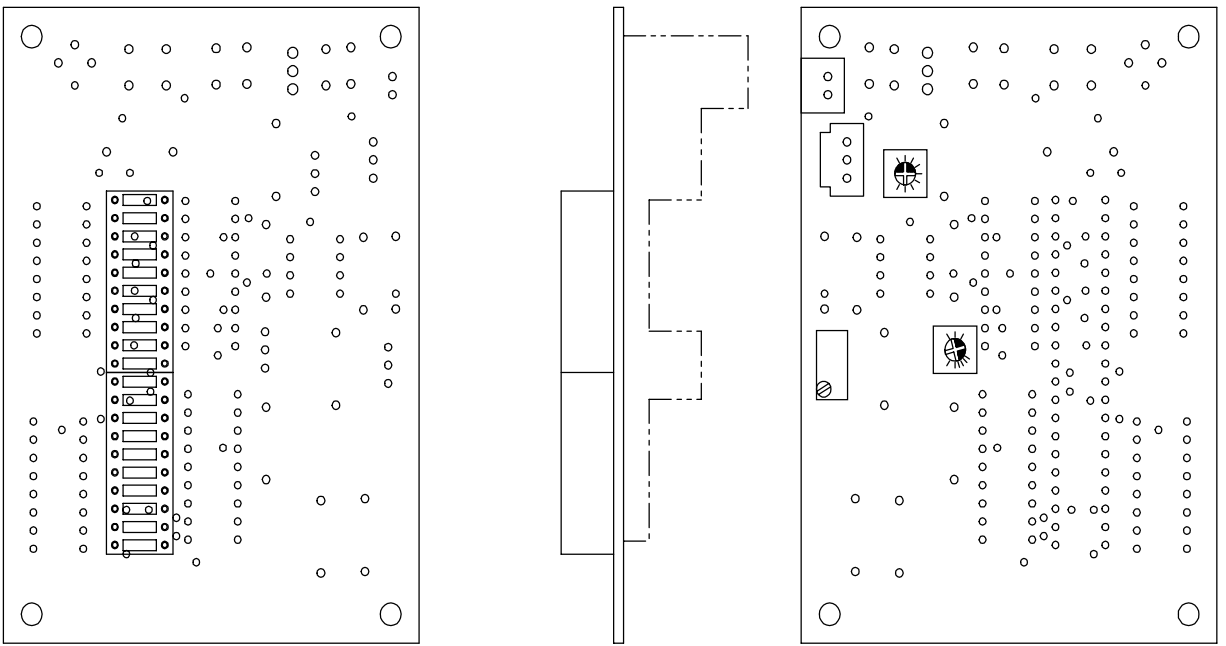
Apply a heat shrink tube after soldering




This print is the property of PRO-TECH ENGR. The information thereon is remitted in confidence.						
UNLESS OTHERWISE SPECIFIED TOLERANCE			Pro-Tech Engineering 2117 N. Stoughton Rd. Madison, Wisconsin 53704 Phone (608) 246-8844 Fax (608) 246-8645			
DIM. AS SHOWN	TOL.	FINISH TO BE				
X.X	P 1/64	125° √	TITLE: ASSY. MOV FOR O-III SSR, F 60			
X.	P .050					
X.X	P .020					
X.XX	P .010	ANGLES P 1D	DATE:	DRAWN BY:	DWG SCALE:	Dwg:
X.XXX	P .005		3-26-96	HZ	A1	001-342

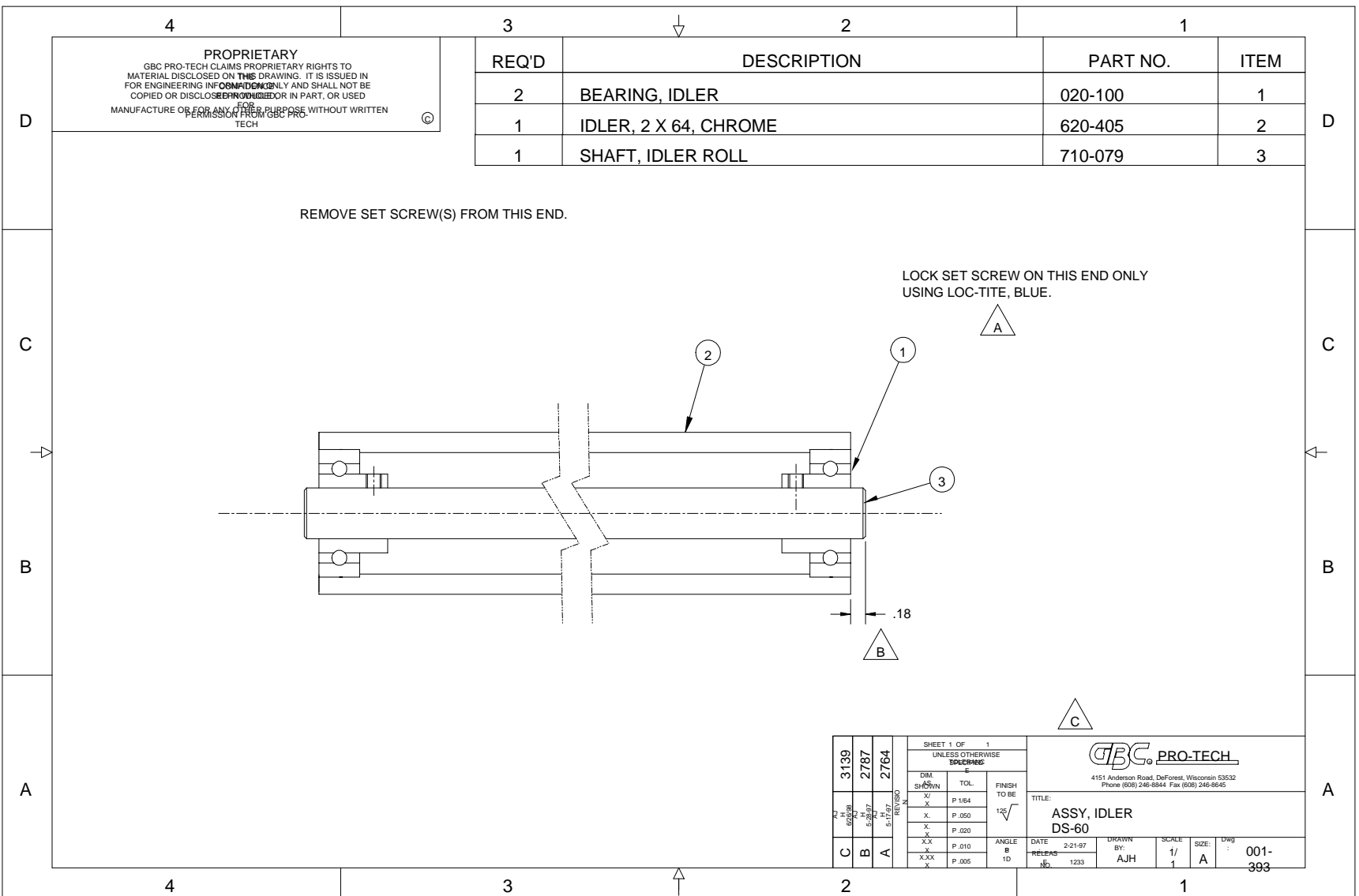
REQ'D	DESCRIPTION	PART NO.	ITEM
1	PARTS LIST SPEC. DOC	001-374.xls	1
1	TEST AND CALIB.DOC	820-050.	2
1	SCHEMATIC	810-022	3
1	FABRICATED PCB	671-005	4

PROPRIETARY
 GBC PRO-TECH CLAIMS PROPRIETARY RIGHTS TO THE MATERIAL DISCLOSED ON THIS DRAWING. IT IS ISSUED IN CONFIDENCE FOR ENGINEERING INFORMATION ONLY AND SHALL NOT BE REPRODUCED, COPIED OR DISCLOSED IN WHOLE OR IN PART, OR USED FOR MANUFACTURE OR FOR ANY OTHER PURPOSE WITHOUT WRITTEN PERMISSION FROM GBC PRO-TECH



- 1.SOLDER SPEC: WAVE SOLDERING
- 2.UL SPEC: UL 796,SEVENTH EDITION

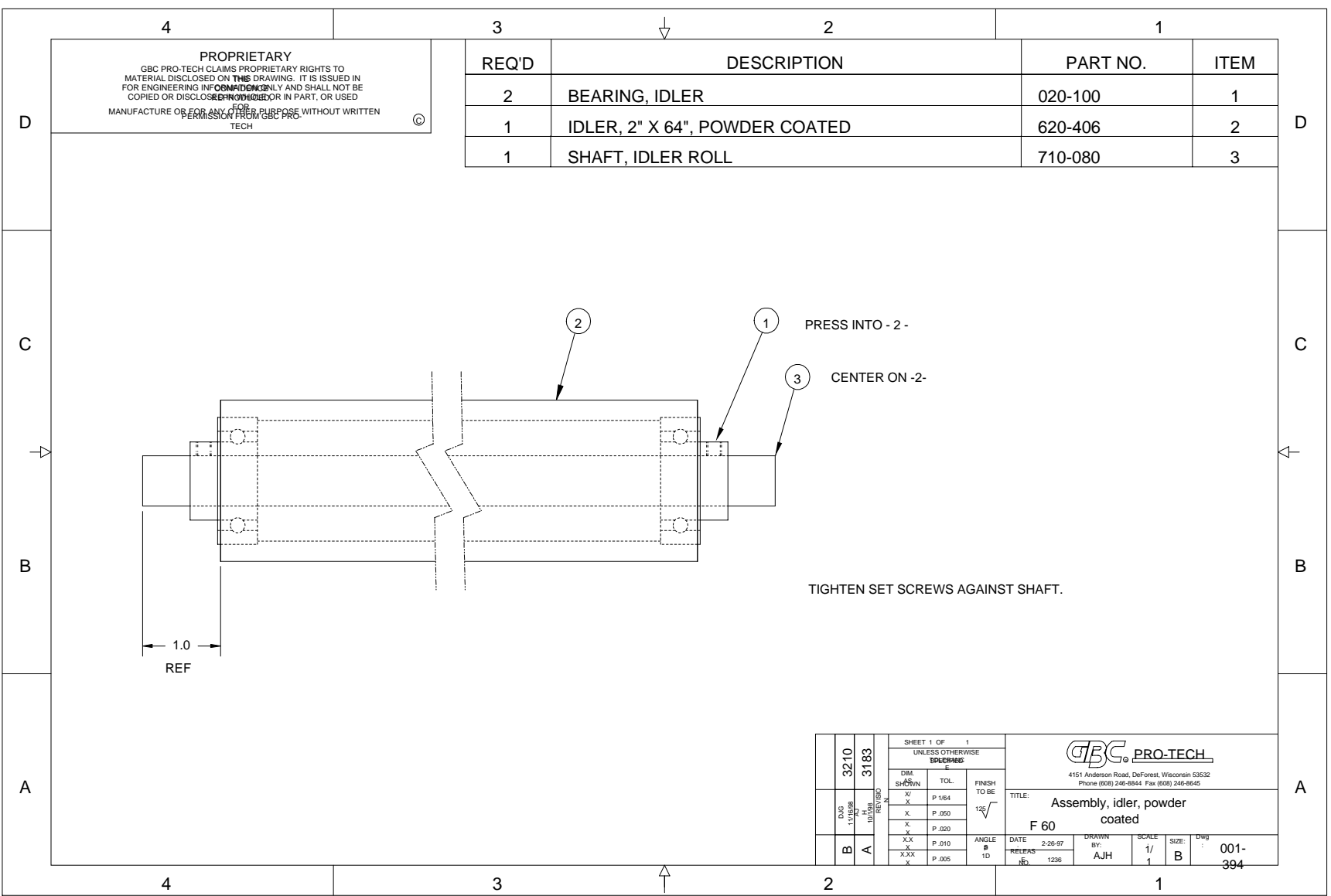
SHEET 1 OF 1		 4151 Anderson Road, DeForest, Wisconsin 53532 Phone (608) 246-8844 Fax (608) 246-8645		TITLE: ASSY, FORCE GAUGE PCB -			
UNLESS OTHERWISE SPECIFIED TOLERANCE							DATE: 4-30-97
REVISION	DIM. AS SHOWN	TOL.	FINISH TO BE 125√	DRAWN BY:	SCALE:	SIZE:	Dwg:
	X/X	P 1/64					
	X.	P .050		RELEASE NO. 2032			
	X.X	P .020					
	X.XX	P .010	ANGLES P 1D				
X.XXX	P .005						



REQ'D	DESCRIPTION	PART NO.	ITEM
2	BEARING, IDLER	020-100	1
1	IDLER, 2 X 64, CHROME	620-405	2
1	SHAFT, IDLER ROLL	710-079	3

PROPRIETARY
 GBC PRO-TECH CLAIMS PROPRIETARY RIGHTS TO
 MATERIAL DISCLOSED ON THIS DRAWING. IT IS ISSUED IN
 FOR ENGINEERING INFORMATION ONLY AND SHALL NOT BE
 COPIED OR DISCLOSED IN WHOLE OR IN PART, OR USED
 IN ANY MANNER FOR ANY OTHER PURPOSE, WITHOUT WRITTEN
 PERMISSION FROM GBC PRO-TECH

3139	2787	2764	SHEET 1 OF 1 UNLESS OTHERWISE SPECIFIED		 4151 Anderson Road, DeForest, Wisconsin 53532 Phone (608) 246-8844 Fax (608) 246-8645
3139	2787	2764	DIM. SHOWN	TOL.	
C	B	A	X	P.1/64	125
			X	P.050	
			X	P.020	
			XX	P.010	ANGLE B 1D
			XXX	P.005	
DATE: 2-21-97			RELEASED: 1233	DRAWN BY: AJH	SCALE: 1/1
TITLE: ASSY, IDLER DS-60			SIZE: A	Dwg: 001-393	



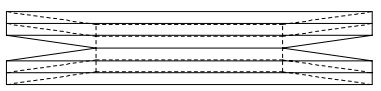
REQ'D	DESCRIPTION	PART NO.	ITEM
2	BEARING, IDLER	020-100	1
1	IDLER, 2" X 64", POWDER COATED	620-406	2
1	SHAFT, IDLER ROLL	710-080	3

PROPRIETARY
 GBC PRO-TECH CLAIMS PROPRIETARY RIGHTS TO
 MATERIAL DISCLOSED ON THIS DRAWING. IT IS ISSUED IN
 FOR ENGINEERING INFORMATION ONLY AND SHALL NOT BE
 COPIED OR DISCLOSED IN ANY MANNER OR IN PART, OR USED
 IN ANY MANNER WITHOUT WRITTEN PERMISSION FROM GBC PRO-
 TECH

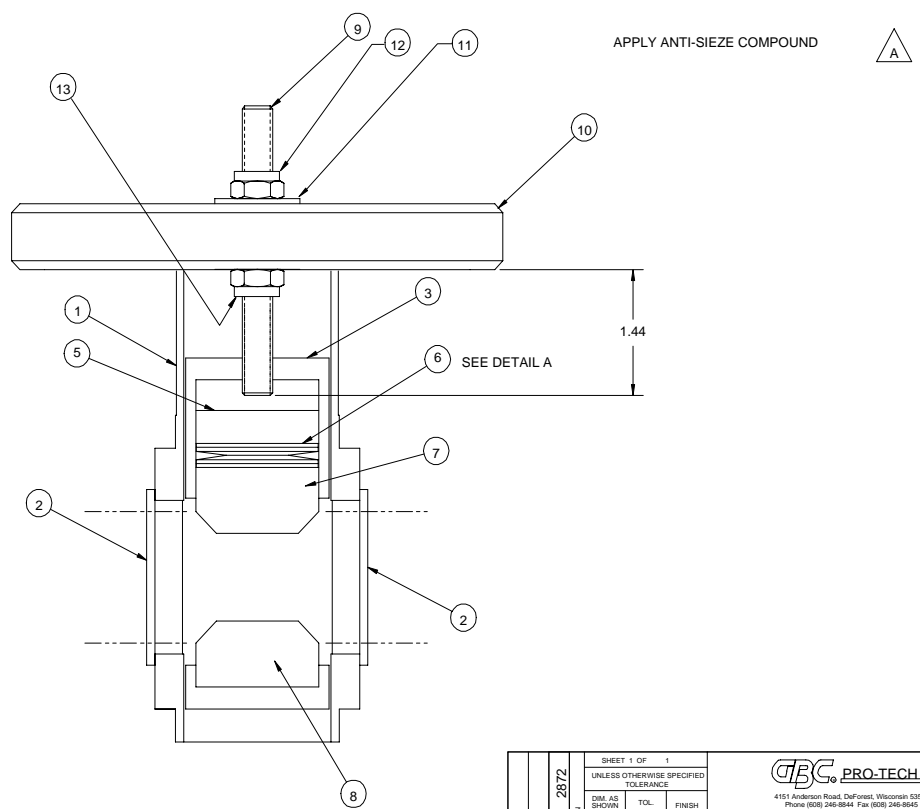
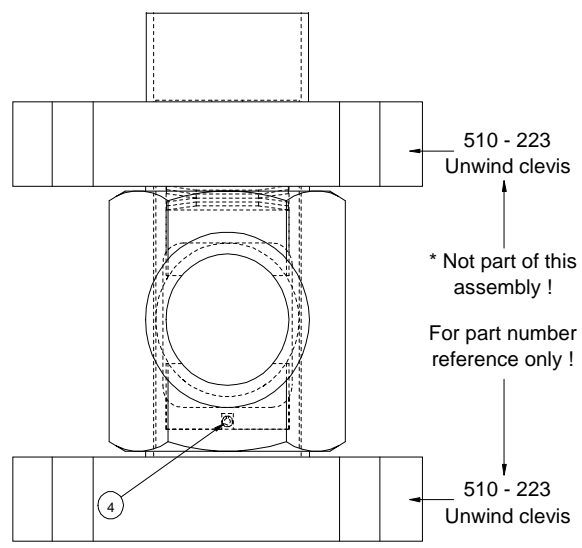
SHEET 1 OF 1		UNLESS OTHERWISE SPECIFIED		GBC PRO-TECH	
DIM. SHOWN		TOL.	FINISH TO BE	4151 Anderson Road, DeForest, Wisconsin 53532 Phone: (608) 246-8844 Fax: (608) 246-8545	
X	P. 1/64		12 \sqrt	TITLE: Assembly, idler, powder coated	
X	P. .050			F 60	
X	P. .020			DATE: 2-26-97	DRAWN BY: AJH
X-X	P. .010	ANGLE #		SCALE: 1/1	SIZE: B
X-XX	P. .005	1D		DATE RELEASED: 1236	Dwg No: 001-394

REQ'D	DESCRIPTION	PART NO.	ITEM
1	PIN, PIVOT, UNWIND	625-008	1
2	BUSHING, FLANGE, NYLON	500-006	2
1	HOUSING, BRAKE	625-022	3
1	ROLL PIN, 1/8 X 1-3/4	095-105	4
1	PISTON, BRAKE	625-019	5
4	SPRING, DISC, 3/4 X 1-1/2	089-009	6
1	PAD, BRAKE, TOP	625-020	7
1	PAD, BRAKE, BOTTOM	625-021	8
1	STUD	645-024	9
1	UNWIND DIAL	625-018	10
1	3/8 WASHER	STK	11
1	3/8 NYLOC NUT	STK	12
1	3/8 NUT	STK	13

PROPRIETARY
 GBC PRO-TECH CLAIMS PROPRIETARY RIGHTS TO THE MATERIAL DISCLOSED ON THIS DRAWING. IT IS ISSUED IN CONFIDENCE FOR ENGINEERING INFORMATION ONLY AND SHALL NOT BE REPRODUCED, COPIED OR DISCLOSED IN WHOLE OR IN PART, OR USED FOR MANUFACTURE OR FOR ANY OTHER PURPOSE WITHOUT WRITTEN PERMISSION FROM GBC PRO-TECH

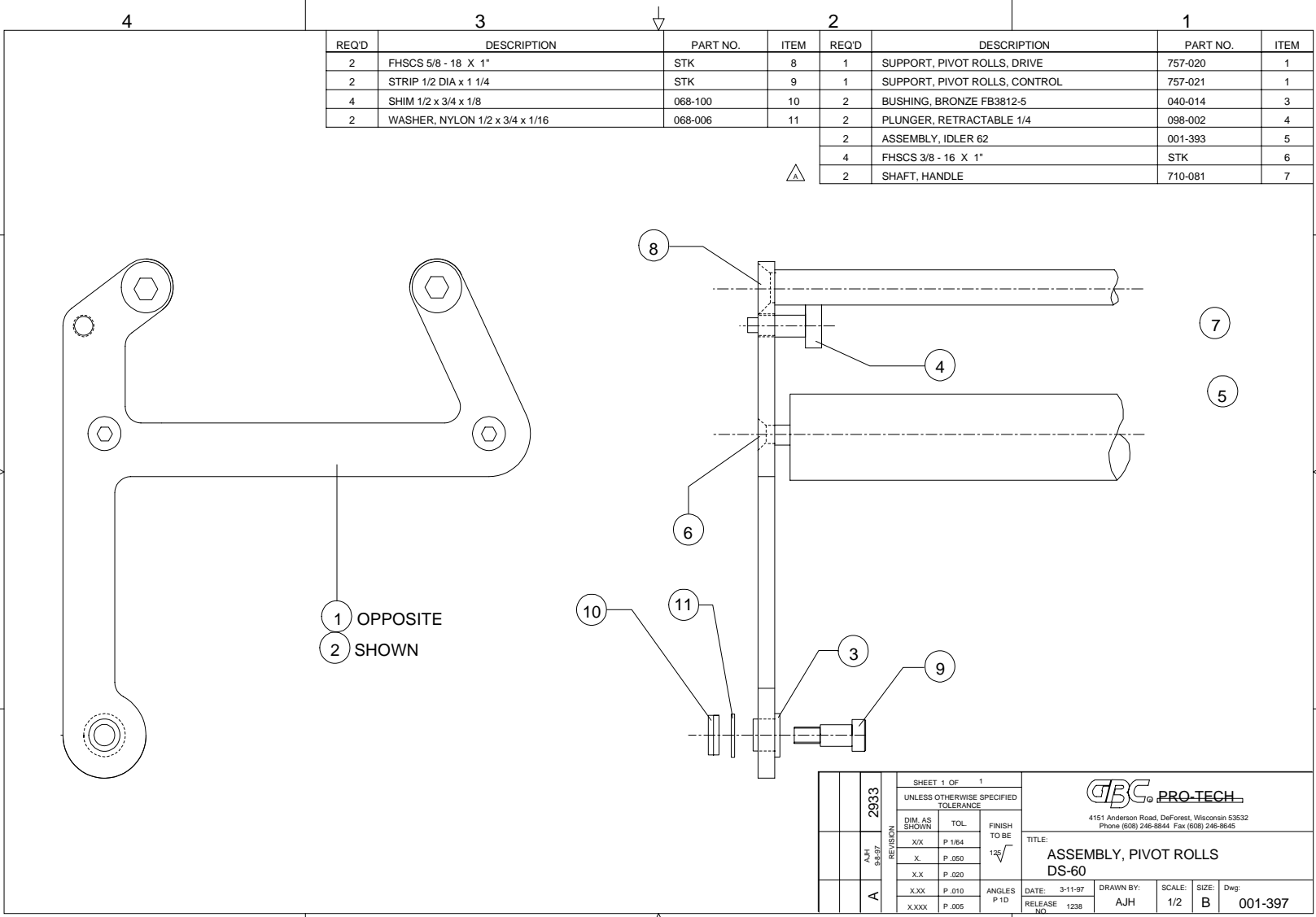


UDETAIL A
 DISC SPRING ORIENTATION
 3X SCALE

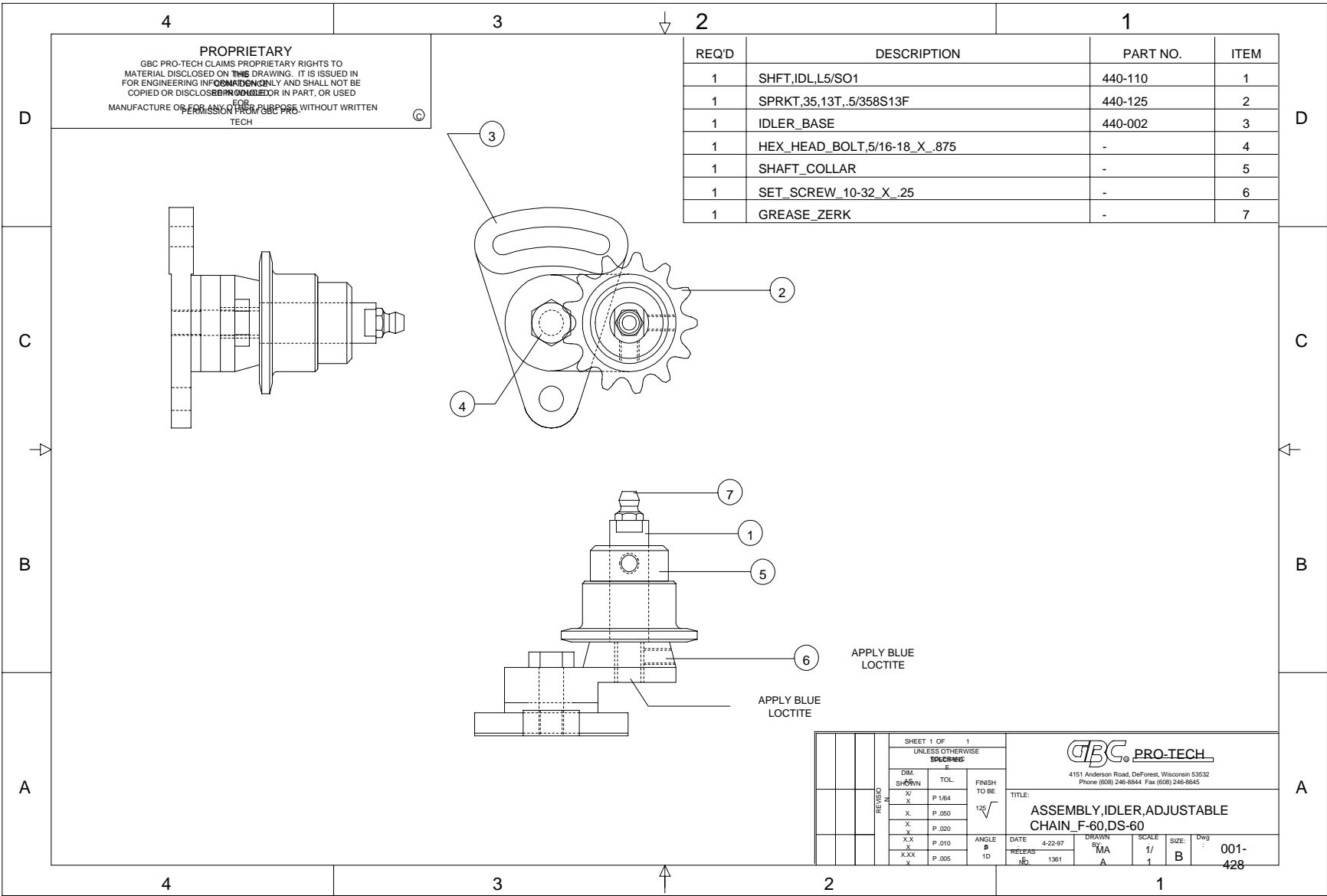


SHEET 1 OF 1		UNLESS OTHERWISE SPECIFIED TOLERANCE		FINISH TO BE	
DIM. AS SHOWN	TOL.			$\sqrt{125}$	
.XX	F 1.64				
X	F .252				
.XX	F .020				
.XXX	F .010	ANGLES P 1 D		DATE: 2-24-97	
X.XXX	F .005			RELEASE NO: 1231	
DRAWN BY: H		SCALE: 1/1		SIZE: C	
TITLE: ASSEMBLY, BRAKE DS-60, F-60		DRAWN BY: H		SIZE: C	
DATE: 2-24-97		SCALE: 1/1		Dwg: 001-396	
RELEASE NO: 1231					

3				2				1			
REQ'D	DESCRIPTION	PART NO.	ITEM	REQ'D	DESCRIPTION	PART NO.	ITEM	REQ'D	DESCRIPTION	PART NO.	ITEM
2	FHSCS 5/8 - 18 X 1"	STK	8	1	SUPPORT, PIVOT ROLLS, DRIVE	757-020	1				
2	STRIP 1/2 DIA x 1 1/4	STK	9	1	SUPPORT, PIVOT ROLLS, CONTROL	757-021	1				
4	SHIM 1/2 x 3/4 x 1/8	068-100	10	2	BUSHING, BRONZE FB3812-5	040-014	3				
2	WASHER, NYLON 1/2 x 3/4 x 1/16	068-006	11	2	PLUNGER, RETRACTABLE 1/4	098-002	4				
				2	ASSEMBLY, IDLER 62	001-393	5				
				4	FHSCS 3/8 - 16 X 1"	STK	6				
				2	SHAFT, HANDLE	710-081	7				



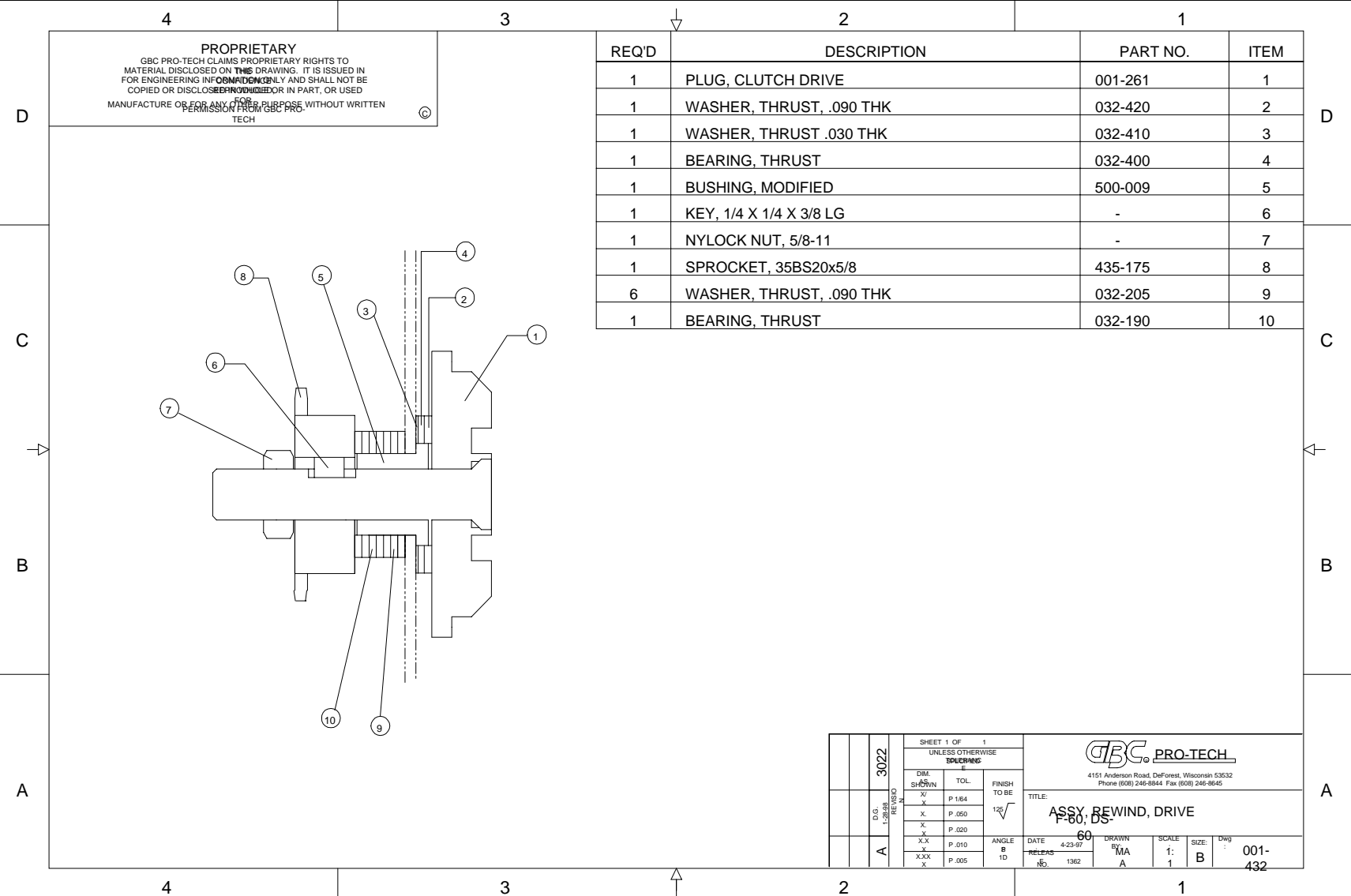
SHEET 1 OF 1		UNLESS OTHERWISE SPECIFIED TOLERANCE		FINISH TO BE		DATE: 3-11-97		DRAWN BY: AJH		SCALE: 1/2		SIZE: B		Dwg: 001-397	
DIM. AS SHOWN	TOL.			125		RELEASE NO. 1238									
XX	P. 1/64														
X	P. .050														
XX	P. .020														
X.XX	P. .010														
X.XXX	P. .005														



REQ'D	DESCRIPTION	PART NO.	ITEM
1	SHFT_IDL,L5/SO1	440-110	1
1	SPRKT,35,13T,.5/358S13F	440-125	2
1	IDLER_BASE	440-002	3
1	HEX_HEAD_BOLT,5/16-18_X_.875	-	4
1	SHAFT_COLLAR	-	5
1	SET_SCREW_10-32_X_.25	-	6
1	GREASE_ZERK	-	7

PROPRIETARY
 GBC PRO-TECH CLAIMS PROPRIETARY RIGHTS TO
 MATERIAL DISCLOSED ON THIS DRAWING. IT IS ISSUED IN
 FOR ENGINEERING INFORMATION ONLY AND SHALL NOT BE
 COPIED OR DISCLOSED IN ANY MANNER IN PART, OR USED
 FOR ANY OTHER PURPOSE WITHOUT WRITTEN
 PERMISSION FROM GBC PRO-TECH

SHEET 1 OF 1 UNLESS OTHERWISE SPECIFIED		 4151 Anderson Road, DeForest, Wisconsin 53532 Phone (608) 246-8544 Fax (608) 245-8645	
DIM. SHOWN X P.164 X P.050 X P.020 X-X P.010 X-X P.005		FINISH TO BE 12.5	
TITLE: ASSEMBLY, IDLER, ADJUSTABLE CHAIN, F-60, DS-60		DATE: 4-22-97	SCALE: 1/1
REVISED NO. 1361		DRAWN BY: MA RELEASED NO.	SIZE: B Dwg No: 001-428

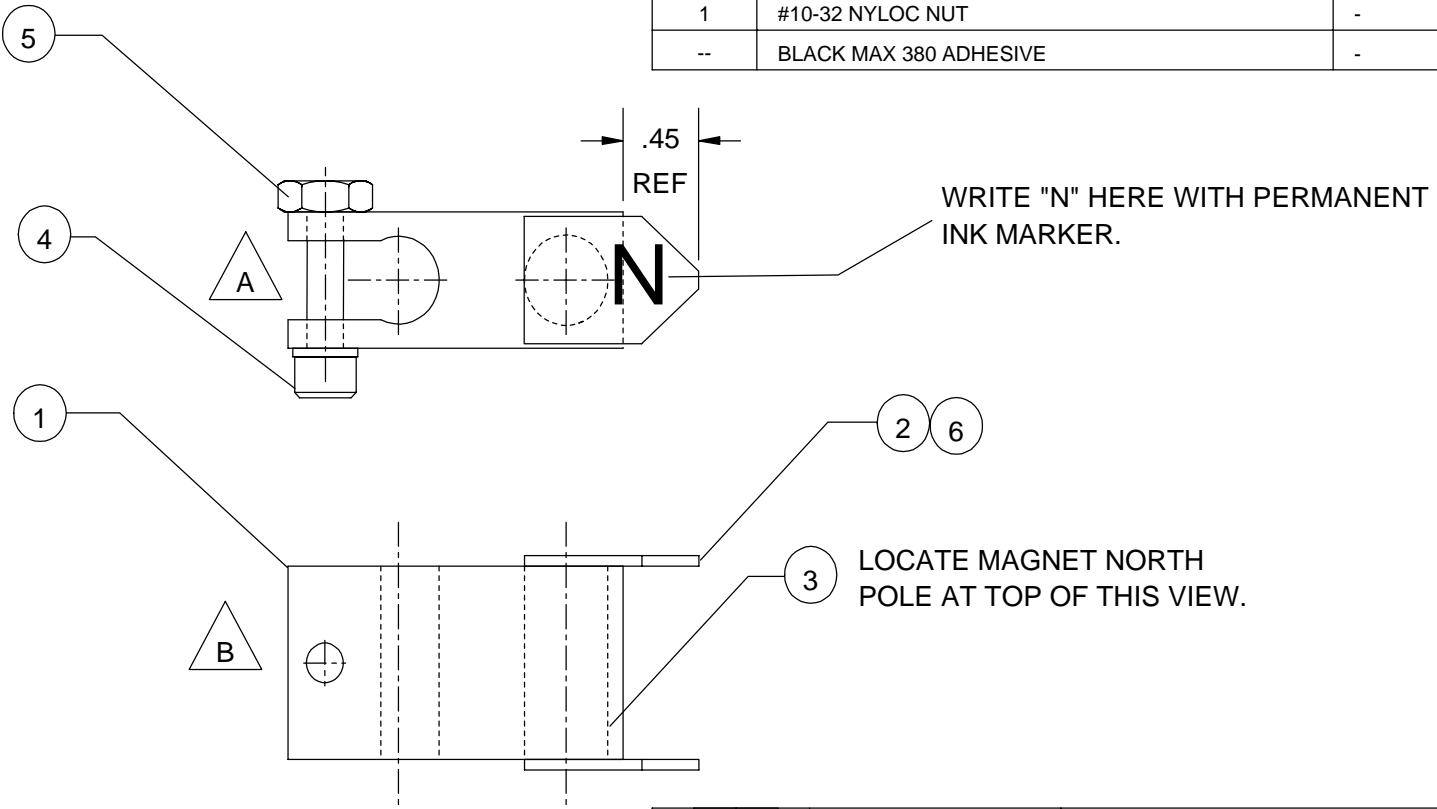


REQ'D	DESCRIPTION	PART NO.	ITEM
1	PLUG, CLUTCH DRIVE	001-261	1
1	WASHER, THRUST, .090 THK	032-420	2
1	WASHER, THRUST .030 THK	032-410	3
1	BEARING, THRUST	032-400	4
1	BUSHING, MODIFIED	500-009	5
1	KEY, 1/4 X 1/4 X 3/8 LG	-	6
1	NYLOCK NUT, 5/8-11	-	7
1	SPROCKET, 35BS20x5/8	435-175	8
6	WASHER, THRUST, .090 THK	032-205	9
1	BEARING, THRUST	032-190	10

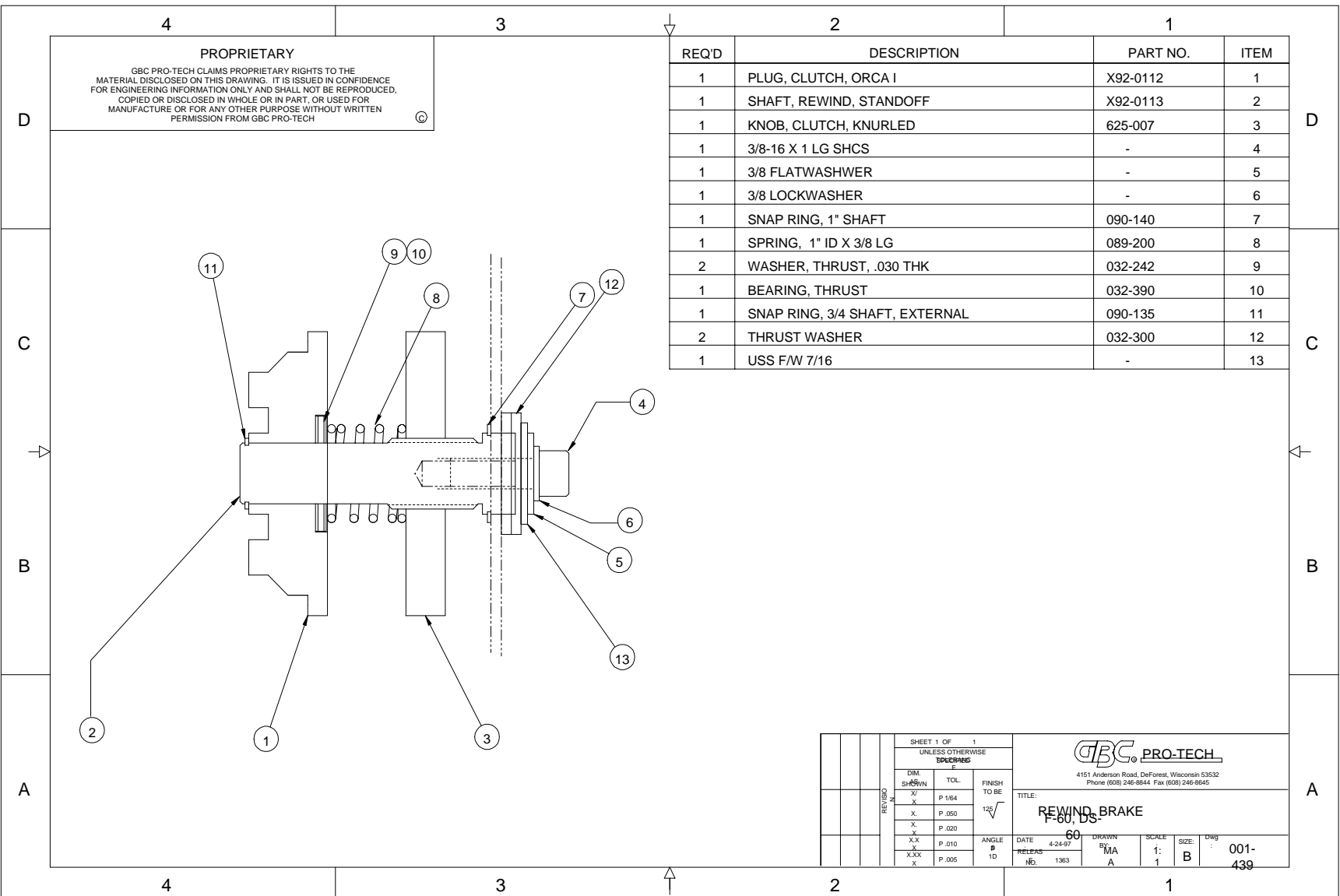
D.O. 3022		REVISED 4-28-98		SHEET 1 OF 1		UNLESS OTHERWISE SPECIFIED		 4151 Anderson Road, DeForest, Wisconsin 53532 Phone (608) 246-8844 Fax (608) 246-8645	
DIM	TOL.	FINISH	TO BE	TITLE: ASSY, REWIND, DRIVE					
X/	P.164	125	√	DATE: 4-23-97					
X	P.050			DRAWN BY: MA					
X	P.020			SCALE: 1:1					
XX	P.010	ANGLE	8°	SIZE: B					
XXX	P.005	ID		Dwg NO: 001-432					
				RELEASE NO: 1362					

REQ'D	DESCRIPTION	PART NO.	ITEM
1	BRACKET, HALL SENSOR	510-226	1
2	PLATE	672-020	2
1	MAGNET	475-701	3
1	#10-32 SHCS	-	4
1	#10-32 NYLOC NUT	-	5
--	BLACK MAX 380 ADHESIVE	-	6

PROPRIETARY
 GBC PRO-TECH CLAIMS PROPRIETARY RIGHTS TO THE MATERIAL DISCLOSED ON THIS DRAWING. IT IS ISSUED IN CONFIDENCE FOR ENGINEERING INFORMATION ONLY AND SHALL NOT BE REPRODUCED, COPIED OR DISCLOSED IN WHOLE OR IN PART, OR USED FOR MANUFACTURE OR FOR ANY OTHER PURPOSE WITHOUT WRITTEN PERMISSION FROM GBC PRO-TECH



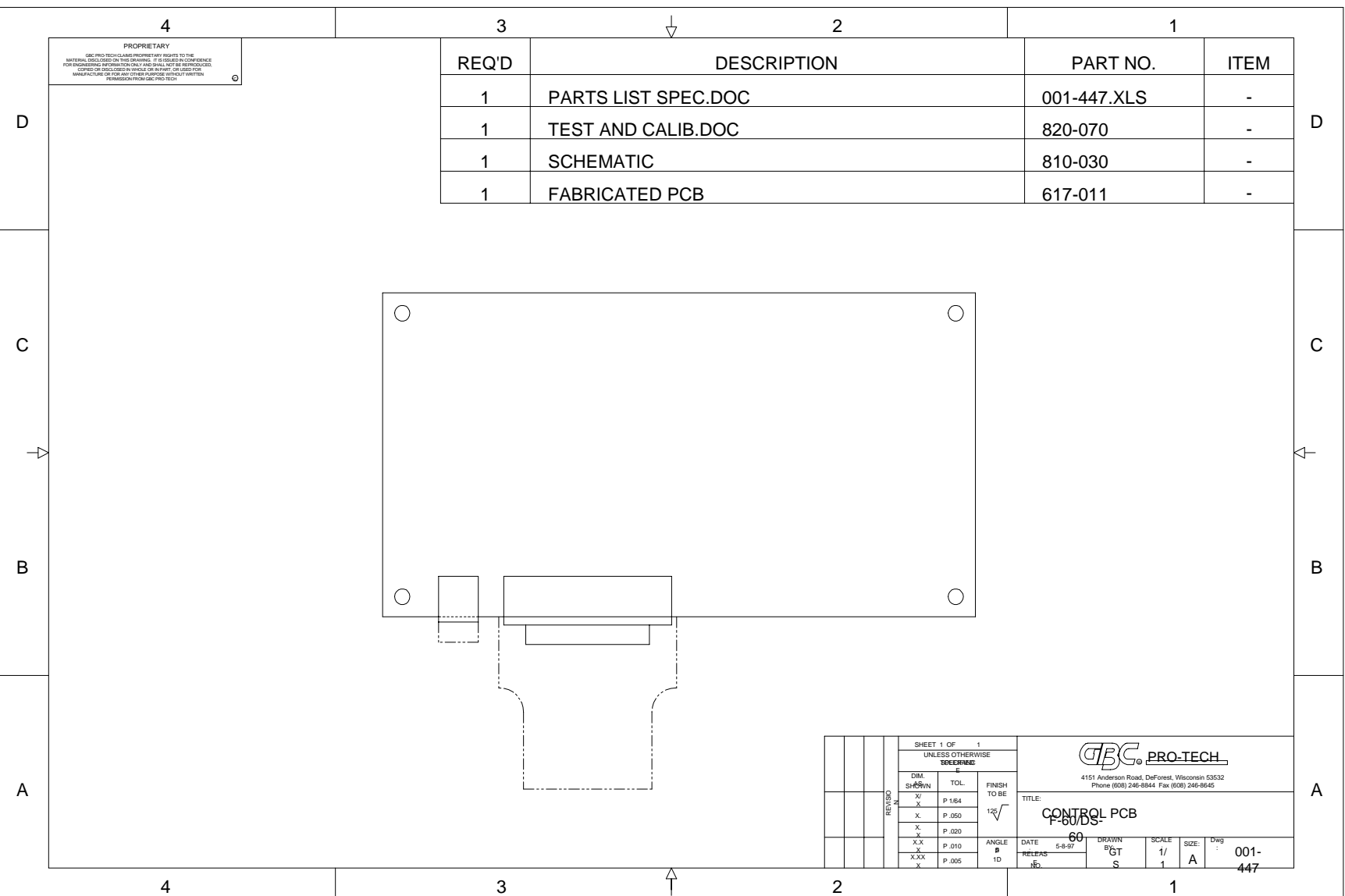
2799		2767		SHEET 1 OF 1		 4151 Anderson Road, DeForest, Wisconsin 53532 Phone (608) 246-8844 Fax (608) 246-8645				
AJH	6-3-97	AJH	5-19-97	UNLESS OTHERWISE SPECIFIED TOLERANCE						
B	A	REVISION		DIM. AS SHOWN	TOL.	FINISH TO BE	TITLE:			
				X/X	P 1/64	125√	ASSY, MAGNET/FORCE SENSOR			
				X.	P .050		F-60/DS-60			
				X.X	P .020			DATE: 4-22-97	DRAWN BY: AJH	SCALE: 1/1
				X.XX	P .010	ANGLES P 1D	RELEASE NO. 1404			
				X.XXX	P .005					



PROPRIETARY
 GBC PRO-TECH CLAIMS PROPRIETARY RIGHTS TO THE MATERIAL DISCLOSED ON THIS DRAWING. IT IS ISSUED IN CONFIDENCE FOR ENGINEERING INFORMATION ONLY AND SHALL NOT BE REPRODUCED, COPIED OR DISCLOSED IN WHOLE OR IN PART, OR USED FOR MANUFACTURE OR FOR ANY OTHER PURPOSE WITHOUT WRITTEN PERMISSION FROM GBC PRO-TECH


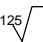
REQD	DESCRIPTION	PART NO.	ITEM
1	PLUG, CLUTCH, ORCA I	X92-0112	1
1	SHAFT, REWIND, STANDOFF	X92-0113	2
1	KNOB, CLUTCH, KNURLED	625-007	3
1	3/8-16 X 1 LG SHCS	-	4
1	3/8 FLATWASHER	-	5
1	3/8 LOCKWASHER	-	6
1	SNAP RING, 1" SHAFT	090-140	7
1	SPRING, 1" ID X 3/8 LG	089-200	8
2	WASHER, THRUST, .030 THK	032-242	9
1	BEARING, THRUST	032-390	10
1	SNAP RING, 3/4 SHAFT, EXTERNAL	090-135	11
2	THRUST WASHER	032-300	12
1	USS F/W 7/16	-	13

SHEET 1 OF 1		UNLESS OTHERWISE SPECIFIED			
4151 Arderton Road, DeForest, Wisconsin 53532		Phone (608) 246-8844 Fax (608) 246-8645		TITLE:	
REWIND BRAKE		F-60, DS		60	
DATE	4-24-97	DRAWN BY	MA	SCALE	1:1
RELEASE NO.	1363	SIZE	B	DWG NO.	001-439



REQ'D	DESCRIPTION	PART NO.	ITEM
1	FUSE, 250V 20 AMP, CERAMIC	186-135	1
3	FUSE	186-200	2
1	MANUAL	930-006	3
1	BOX	475-010	4
1	TOWEL	475-950	5
1	ZIPPY KNIFE	475-620	6
1	MASKING TAPE	475-000	7
1	ALLEN WRENCH SET	475-230	8
4	MOUNT, MACHINE, ZSW-IV	470-101	9
2	O-RING	480-005	10
1	HANDLE, CRANK	465-034	11
1	SET SCREW, #8-32 X 1/4	-	12

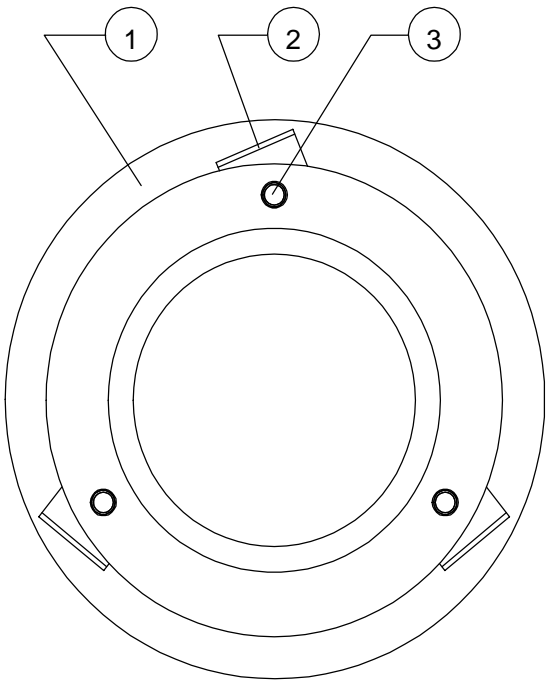
PROPRIETAR
 GBC PRO-TECH CLAIMS PROPRIETARY RIGHTS
 MATERIAL DISCLOSED ON THIS DRAWING. IT IS ISSUED IN
 FOR ENGINEERING INFORMATION ONLY AND SHALL NOT BE
 COPIED OR DISCLOSED TO ANY OTHER PARTY FOR
 MANUFACTURE OR FOR ANY OTHER PURPOSE WITHOUT
 PERMISSION FROM GBC PRO-TECH

B		3303	BJT 4-9-99	HANDLE AND SET SCREW FOR MAIN ROLL LIFT WAS ADDED.	
REV		ECN	BY	DESCRIPTION	
SHEET 1 OF 1		UNLESS OTHERWISE SPECIFIED		 4151 Anderson Road, DeForest, Wisconsin 53532 Phone (608) 246-8844 Fax (608) 246-8645	
DIM. AS SHOWN	TOL.	FINISH TO BE			
X/	P. 1/64	125 		TITLE:	
X.	P. .050			ACCESSORY KIT, DS-60	
X.	P. .020			-	
X.X	P. .010	ANGLE 1D		DATE 5-1-97	DRAWN BY: AJH
X.XX	P. .005			RELEASE NO. 1407	SCALE 1/1
X				SIZE: A	Dwg NO. 001-451

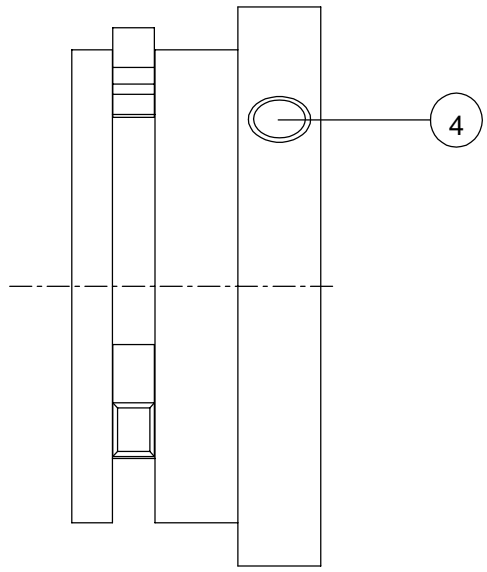
REQ'D	DESCRIPTION	PART NO.	ITEM
1	CHUCK,CORE	530-024	1
3	BLOCK,PIVOT	501-036	2
3	PIN,DOWEL, 1/8 DIA X 3/4	095-102	3
1	SET SCREW,BRASS,3/8-16 X 1/2	-	4

PROPRIETARY
 GBC PRO-TECH CLAIMS PROPRIETARY RIGHTS TO THE MATERIAL DISCLOSED ON THIS DRAWING. IT IS ISSUED IN CONFIDENCE FOR ENGINEERING INFORMATION ONLY AND SHALL NOT BE REPRODUCED, COPIED OR DISCLOSED IN WHOLE OR IN PART, OR USED FOR MANUFACTURE OR FOR ANY OTHER PURPOSE WITHOUT WRITTEN PERMISSION FROM GBC PRO-TECH


△ A

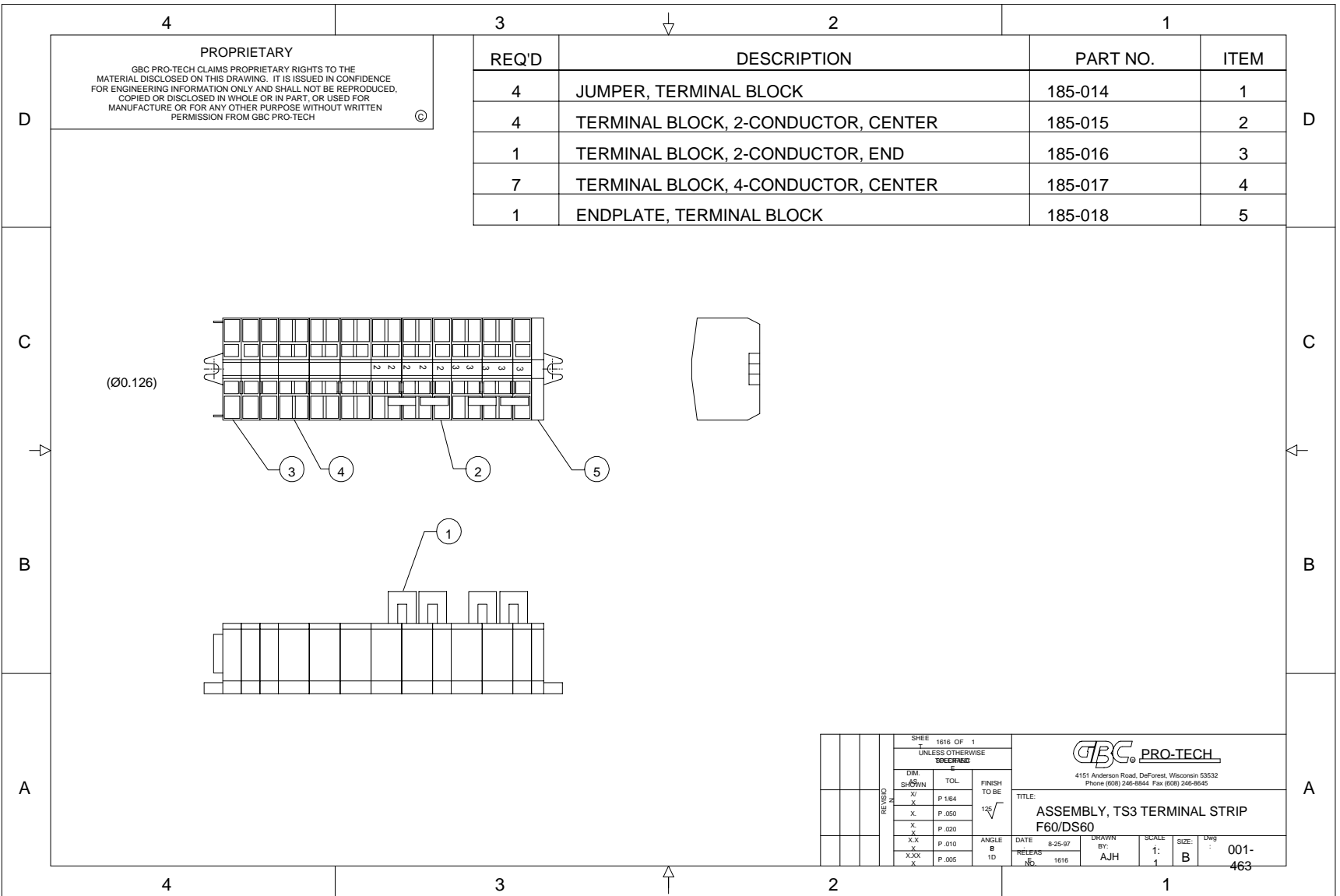


PRESS FIT FROM THIS SIDE



NOTE:
 ITEM 2 MUST PIVOT FREELY

SHEET 1 OF 1			 4151 Anderson Road, DeForest, Wisconsin 53532 Phone (608) 246-8844 Fax (608) 246-8645				
UNLESS OTHERWISE SPECIFIED TOLERANCE							
REVISION	DIM. AS SHOWN	TOL.	FINISH TO BE 125√	TITLE: ASSY,CORE CHUCK, QUICK RELEASE			
	X/X	P 1/64		DATE: 7-3-97	DRAWN BY: RLM	SCALE: 1/1	SIZE: A
	X.	P .050	ANGLES P 1D	RELEASE NO. 1489			
	X.X	P .020					
	X.XX	P .010					
	X.XXX	P .005					

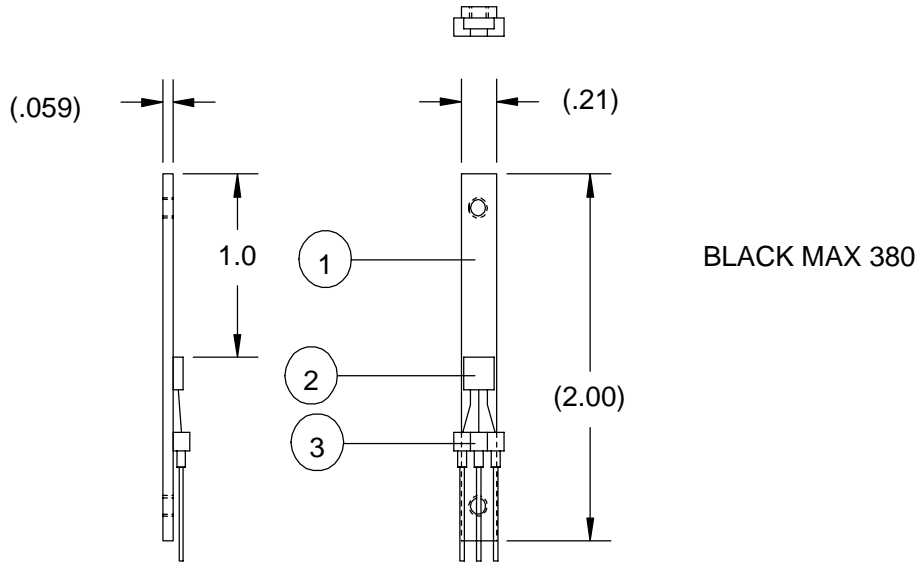



PROPRIETARY
 GBC PRO-TECH CLAIMS PROPRIETARY RIGHTS TO THE MATERIAL DISCLOSED ON THIS DRAWING. IT IS ISSUED IN CONFIDENCE FOR ENGINEERING INFORMATION ONLY AND SHALL NOT BE REPRODUCED, COPIED OR DISCLOSED IN WHOLE OR IN PART, OR USED FOR MANUFACTURE OR FOR ANY OTHER PURPOSE WITHOUT WRITTEN PERMISSION FROM GBC PRO-TECH

SHEET 1616 OF 1 UNLESS OTHERWISE SPECIFIED		GBC PRO-TECH 4151 Anderson Road, DeForest, Wisconsin 53532 Phone (608) 246-8844 Fax (608) 246-8645	
TITLE: ASSEMBLY, TS3 TERMINAL STRIP F60/DS60		DATE: 8-25-97	DRAWN BY: AJH
DIM. SHOWN TOL. FINISH TO BE		SCALE: 1:1	SIZE: B
X/ P.164			
X/ P.050			
X/ P.020			
XX P.010	ANGLE 9	DATE: 1616	BY: AJH
XXX P.005	ID	RELEASE NO: 1616	001-463

REQ'D	DESCRIPTION	PART NO.	ITEM
1	FLAT	672-021	1
1	TRANSDUCER,HALL EFFECT	185-007	2
1	TERMINAL 3 LEAD	217-001	3

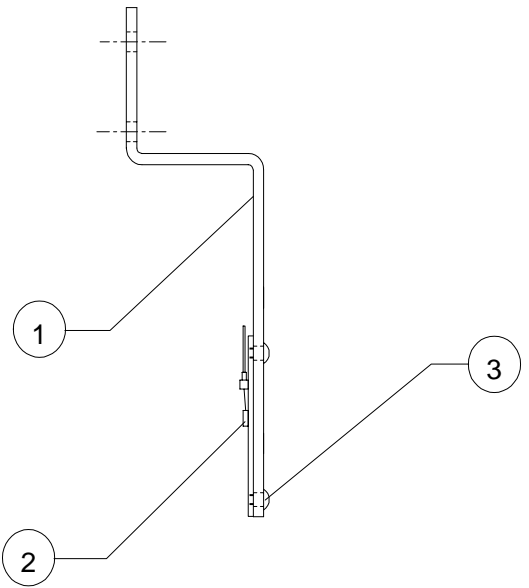
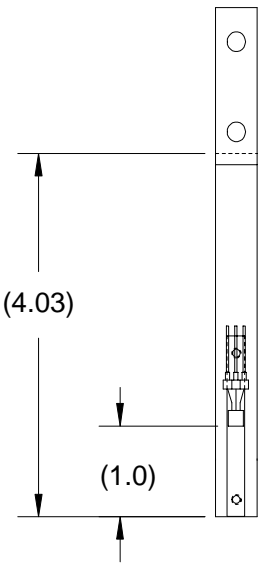
PROPRIETARY
 GBC PRO-TECH CLAIMS PROPRIETARY RIGHTS TO THE MATERIAL DISCLOSED ON THIS DRAWING. IT IS ISSUED IN CONFIDENCE FOR ENGINEERING INFORMATION ONLY AND SHALL NOT BE REPRODUCED, COPIED OR DISCLOSED IN WHOLE OR IN PART, OR USED FOR MANUFACTURE OR FOR ANY OTHER PURPOSE WITHOUT WRITTEN PERMISSION FROM GBC PRO-TECH



SHEET 1 OF 1			 4151 Anderson Road, DeForest, Wisconsin 53532 Phone (608) 246-8844 Fax (608) 246-8645				
UNLESS OTHERWISE SPECIFIED TOLERANCE							
REVISION	DIM. AS SHOWN	TOL.	FINISH TO BE	TITLE: ASSEMBLY, FORCE SENSOR			
	X/X	P 1/64	125√				
	X.	P .050					
	X.X	P .020					
	X.XX	P .010	ANGLES P 1D	DATE: 3/31/98	DRAWN BY: AJH	SCALE: 1/1	SIZE: A
X.XXX	P .005		RELEASE NO. 1945				

REQ'D	DESCRIPTION	PART NO.	ITEM
1	GUIDE BRACKET	595-012	1
1	TRANSDUCER ASSY	001-504	2
2	#4-40 x 1/8 BHSCS	STK	3

PROPRIETARY
 GBC PRO-TECH CLAIMS PROPRIETARY RIGHTS TO THE MATERIAL DISCLOSED ON THIS DRAWING. IT IS ISSUED IN CONFIDENCE FOR ENGINEERING INFORMATION ONLY AND SHALL NOT BE REPRODUCED, COPIED OR DISCLOSED IN WHOLE OR IN PART, OR USED FOR MANUFACTURE OR FOR ANY OTHER PURPOSE WITHOUT WRITTEN PERMISSION FROM GBC PRO-TECH

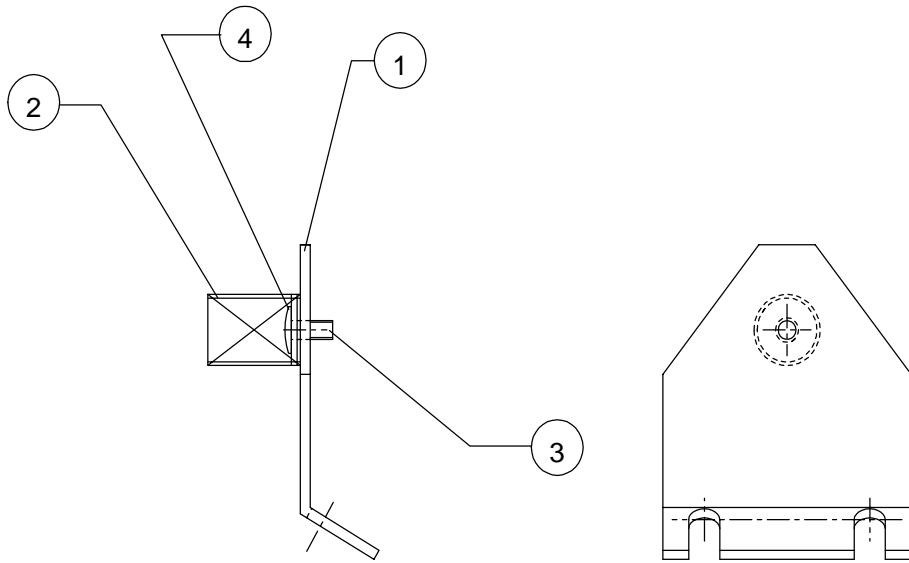


SHEET 1 OF 1			<p>4151 Anderson Road, DeForest, Wisconsin 53532 Phone (608) 246-8844 Fax (608) 246-8645</p>				
UNLESS OTHERWISE SPECIFIED TOLERANCE							
REVISION	DIM. AS SHOWN	TOL.	FINISH TO BE	TITLE: FORCE SENSOR ASSY F60/DS60			
	X/X	P 1/64	125√				
	X.	P .050					
	X.X	P .020					
	X.XX	P .010	ANGLES P 1 D	DATE: 3/31/98	DRAWN BY: AJH	SCALE: 1:2	SIZE: A
X.XXX	P .005		RELEASE NO. 1946				

REQ'D	DESCRIPTION	PART NO.	ITEM
1	SUPPORT, THERMOCOUPLE	757-026	1
1	SPRING	089-021	2
1	BHSCS #6-32 x 1/4	-	3
1	WASHER	-	4
1	INSTALLATION INSTRUCTIONS	820-151	5

PROPRIETARY
 GBC PRO-TECH CLAIMS PROPRIETARY RIGHTS TO THE MATERIAL DISCLOSED ON THIS DRAWING. IT IS ISSUED IN CONFIDENCE FOR ENGINEERING INFORMATION ONLY AND SHALL NOT BE REPRODUCED, COPIED OR DISCLOSED IN WHOLE OR IN PART, OR USED FOR MANUFACTURE OR FOR ANY OTHER PURPOSE WITHOUT WRITTEN PERMISSION FROM GBC PRO-TECH

FASTENAL #24016
 FASTENAL #33070



NOTES:
 1. PREASSEMBLE BEFORE PACKAGING FOR SHIPMENT.

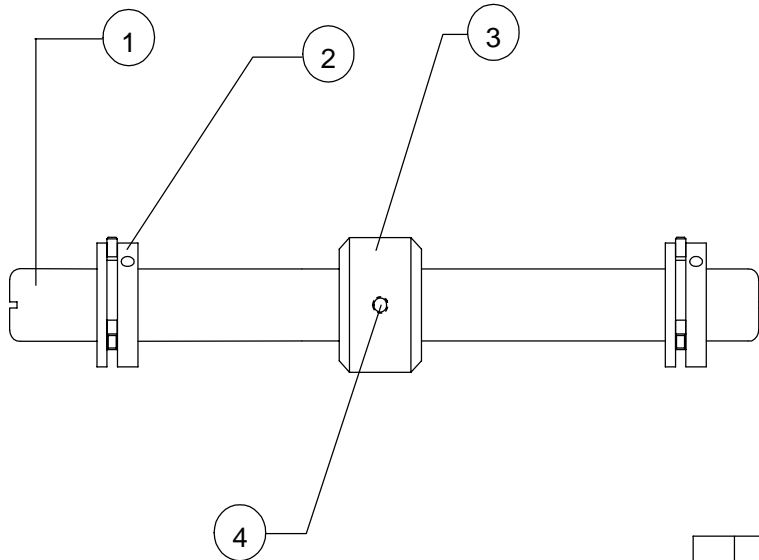
SHEET 1 OF 1		 4151 Anderson Road, DeForest, Wisconsin 53532 Phone (608) 246-8844 Fax (608) 246-8645		TITLE:									
UNLESS OTHERWISE SPECIFIED TOLERANCE				KIT, THERMOCOUPLE SUPPORT									
REVISION	DIM. AS SHOWN	TOL.	FINISH TO BE 125√	DATE:	1/13/98	DRAWN BY:	AJH	SCALE:	1/1	SIZE:	A	Dwg:	005-024
	X/X	P 1/64		RELEASE NO.	1833								
	X.	P .050											
	X.X	P .020											
	X.XX	P .010	ANGLES P 1D										
X.XXX	P .005												

PROPRIETARY
 GBC PRO-TECH CLAIMS PROPRIETARY RIGHTS TO THE MATERIAL DISCLOSED ON THIS DRAWING. IT IS ISSUED IN CONFIDENCE FOR ENGINEERING INFORMATION ONLY AND SHALL NOT BE REPRODUCED, COPIED OR DISCLOSED IN WHOLE OR IN PART, OR USED FOR MANUFACTURE OR FOR ANY OTHER PURPOSE WITHOUT WRITTEN PERMISSION FROM GBC PRO-TECH



FASTENAL # SC06C0016AY0000

REQ'D	DESCRIPTION	PART NO.	ITEM
1	SHAFT, REWIND DRIVE	710-092	1
2	ASSY, CORE CHUCK	001-457	2
1	SUPPORT, CORE	530-022	3
1	SET SCREW, 3/8-16 X 1/2 BRASS TIP	-	4
2	ROLL PIN, 1/8 X 7/8	095-102	5



NOTES:

1. ASSEMBLE PARTS AS SHOWN.
2. PACK -5- ROLL PINS TOGETHER AND LABEL CONTAINER WITH:
 - PART NUMBER.
 - THE STATEMENT; "PRESS PINS INTO HOLES IN MACHINE DRIVE SIDE REWIND FLANGE (DRIVEN ONE)".
3. CONSOLIDATE AND PACK EACH KIT SEPERATELY.
4. LABEL EACH KIT WITH THE KIT ITEM NUMBER.

SHEET 1 OF 1		 4151 Anderson Road, DeForest, Wisconsin 53532 Phone (608) 246-8844 Fax (608) 246-8645		TITLE: KIT, DS60 REWIND DRIVE -				
UNLESS OTHERWISE SPECIFIED TOLERANCE								
REVISION	DIM. AS SHOWN	TOL.	FINISH TO BE 125√	DATE:	DRAWN BY:	SCALE:	SIZE:	Dwg:
	X/X	P 1/64		10/28/98	AJH	1/1	A	
	X.	P .050		RELEASE NO. 2243				
	X.X	P .020						
	X.XX	P .010		ANGLES P 1D				
X.XXX	P .005							

PROPRIETARY
 GBC PRO-TECH CLAIMS PROPRIETARY RIGHTS TO THE MATERIAL DISCLOSED ON THIS DRAWING. IT IS ISSUED IN CONFIDENCE FOR ENGINEERING INFORMATION ONLY AND SHALL NOT BE REPRODUCED, COPIED OR DISCLOSED IN WHOLE OR IN PART, OR USED FOR MANUFACTURE OR FOR ANY OTHER PURPOSE WITHOUT WRITTEN PERMISSION FROM GBC PRO-TECH ©

33735


REQ'D	DESCRIPTION	PART NO.	ITEM
2	SPACER, HEATER SPRING	755-061	1
2	SPRING	089-022	2
-	SLEEVE, INSULATING	180-006	3
4	-	-	4
1	INSTRUCTIONS, HEATER TENSION	820-080	5
2	#10 EXTERNAL LOCK WASHERS	-	6
1	HEATER, ROUND 7/16	189-033	6

HEATER CHECK PROCEDURE:

1. SET HEATER INTO THE TEST RIG IN THE "BURN-IN" ROOM.
2. CONNECT THE BLUE AND RED WIRE (TEST RIG) TO THE HEATER.
3. CONNECT THE OTHER END OF THE BLUE AND RED WIRES TO THE POWER BLOCK OF A MACHINE.
4. TURN MACHINE ELECTRICAL POWER ON (PLUG MACHINE IN).
5. HEATER WILL GLOW RED WHEN HOT. COMPARE HEATED LENGTH AND SIZE OF ZONES TO HEATER SPECIFICATION DRAWING. ACCEPT/REJECT.
6. DISCONNECT ELECTRICITY.
7. COOL HEATER FOR ABOUT AN HOUR.
8. REMOVE BLUE AND RED WIRES FROM MACHINE AND HEATER.
9. REMOVE HEATER FROM RACK AND RETURN COILED WIRES TO RACK.

NOTES:

1. ENERGIZE HEATER AND COMPARE THE LOCATION OF HEAT ZONES TO 189-033 SPECIFICATIONS BEFORE SHIPPING. COOL HEATER BEFORE PACKING.
2. BAG ALL PARTS; PART NUMBER IDENTIFICATION IS NOT NECESSARY.

SHEET 2307 OF -		 4151 Anderson Road, DeForest, Wisconsin 53532 Phone (608) 246-8844 Fax (608) 246-8645	
UNLESS OTHERWISE SPECIFIED TOLERANCE			
DIM. AS SHOWN	TOL.	FINISH TO BE	TITLE: KIT, TENSIONED HEATER DS60
X/X	P 1/64	125√	
X	P .050		
X.X	P .020		
X.XX	P .010	ANGLES P 1D	
X.XXX	P .005		DATE: 1/20/99 RELEASE NO. 2307
		DRAWN BY: AJH	SCALE: 1:1 SIZE: A Dwg: 005-043

