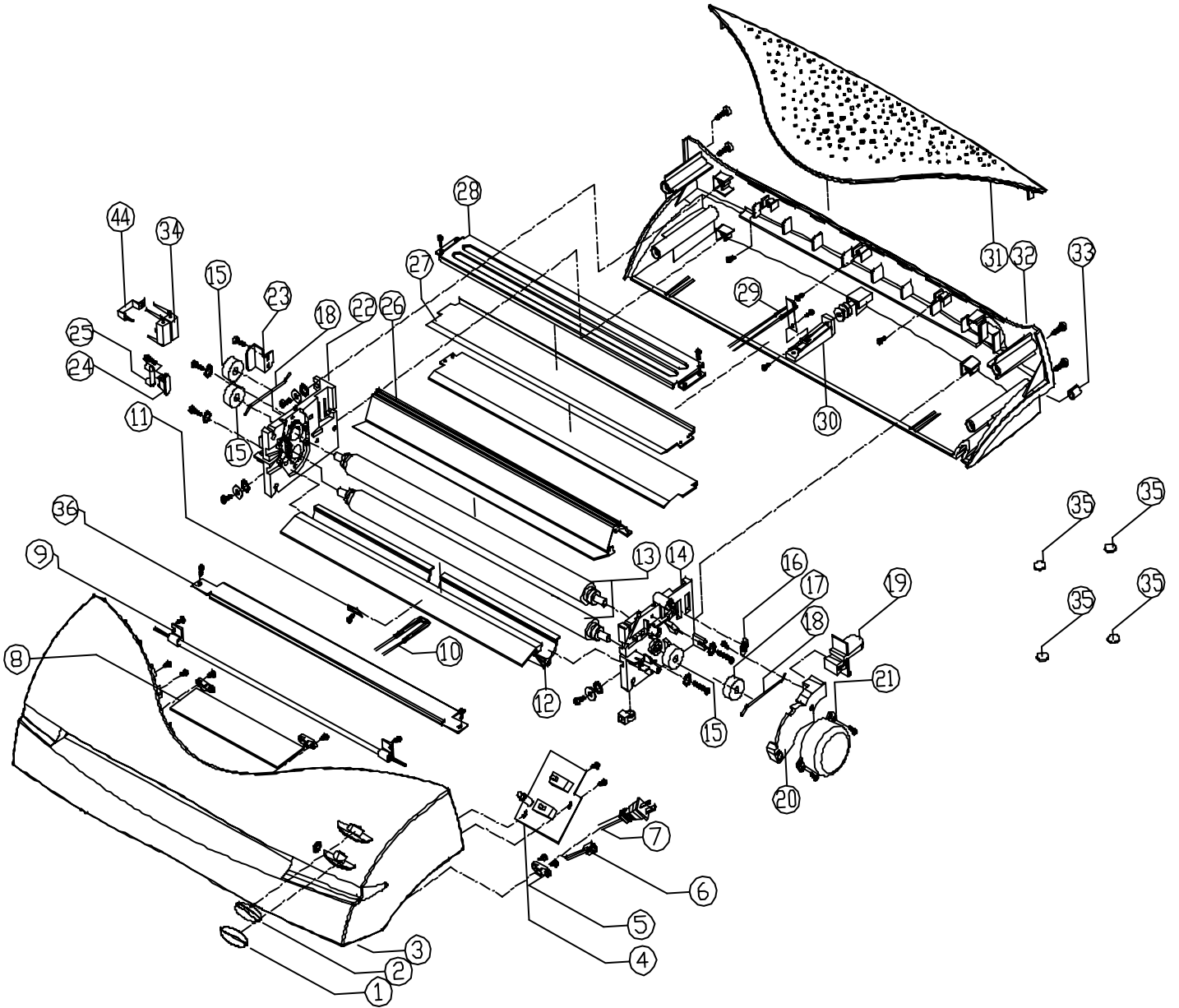


PARTS LIST

DOCUSEAL 125P
PARTS LIST



DOCUSEAL 125P

ITEM	PART NUMBER	DESCRIPTION	QTY
1	26300005C	On/Off Switch Cap	1
2	26300006C	Function Switch Cap	1
3	24300025C	Front Housing DS125P	1
4	2A37022C	Control PCB 120V	1
4	2A37005C	Control PCB 230V	1
5	26300006	Wire Retainer	1
6	24700101	PCB Connecting Wire	1
7	24100013C	Power Cord, US	1
7	24100030C	Power Cord, Euro	1
7	24100017C	Power Cord, UK	1
7	24100023C	Power Cord, Australia	1
7	24100015C	Power Cord, Swiss	1
8	2A37001C	Main PCB 120V	1
8	2A37004C	Main PCB 230V	1
9	2A37019C	LLG Ass'y DS 125P	1
10	24700050C	NTC	1
11	24500015	NTC Fixture	1
12	2A37025C	Lower Heat Platen Ass'y 120V	1
12	2A37003C	Lower Heat Platen Ass'y 230V	1
13	24400008C	Roller DS 125P	2
14	24300066C	Right Side Plate	1
15	24300003C	Roller Gear 21T	3
16	26500004C	Release Button Spring	1
17	26700056	Motor Gear 18T 120V	1

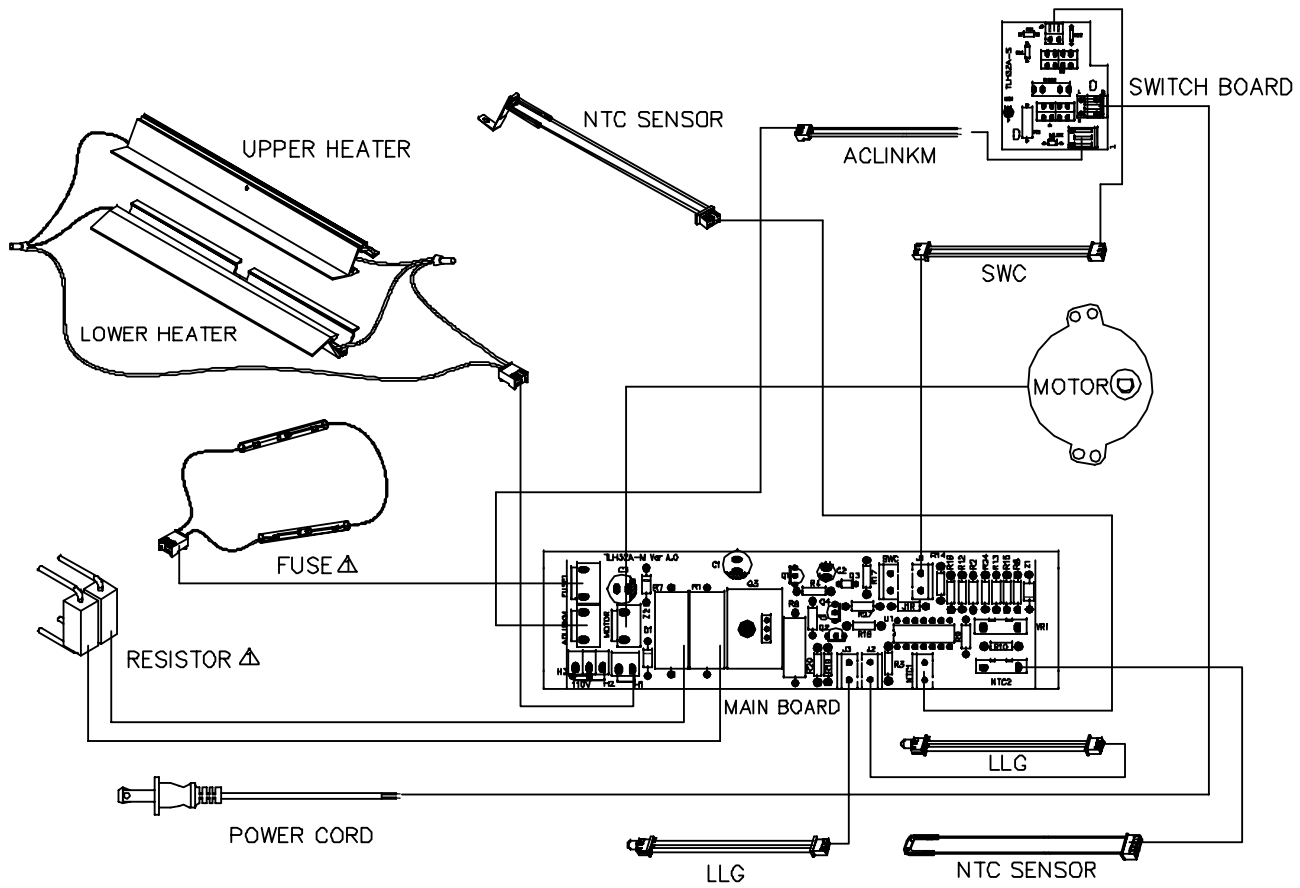
DOCUSEAL 125P

ITEM	PART NUMBER	DESCRIPTION	QTY
18	26500008C	Roller Spring 1.8	2
19	26300004C	Release Button	1
20	26300008C	Clutch	1
21	24700176C	Motor 120V	1
21	24700001C	Motor 230V	1
22	24300022C	Left Side Plate	1
23	26500001C	Fixture Plate (gear)	1
24	24500009C	Fuse Fixture	2
25	24700018C	Thermal Fuse 230v	1
25	24700046C	Thermal Fuse 120v	2
26	2A37024C	Upper Heater Ass'y DS125P 120V	1
26	2A37002C	Upper Heater Ass'y DS 125P 230V	1
27	24500033C	Exit Plate DS 125P UL	2
27	24500061C	Exit Plate DS 125P CE	2
28	24500034C	Heat Shield DS125P	1
29	2A37035C	NTC Heat Control	1
30	26300030C	NTC Fixture	1
31	24300024C	Top Vent Cover	1
32	24300026C	Rear Housing DS 125P	1
33	26400002C	Fixture Ring 120V	1
33	26400003C	Fixture Ring 230V	1

DOCUSEAL 125P

ITEM	PART NUMBER	DESCRIPTION	QTY
34	24700058C	Resistor 120V	2
34	24700057C	Resistor 230V	2
35	26400005C	Rubber Foot	4
36	24500032C	Feed Plate	1
37	2A37013C	Starter Kit 120V	1
37	2A37014C	Starter Kit 230V	1
38	26200032C	Instruction Manual 120V	1
38	26200033C	Instruction Manual 230V	1
39	24200013C	Box Insert (left)	1
39	24200053C	Box Insert (right)	1
40	24200038C	Machine Box, 120V	1
40	24200039C	Machine Box, 230V	1
41	24200045C	Master Box	1
42	26200111C	Starburst Label, 120V	1
44	26500010C	Resistor Fixture	1

DOCUSEAL 125P
WIRING DIAGRAM 120V



DOCUSEAL 125P
WIRING DIAGRAM 230V

