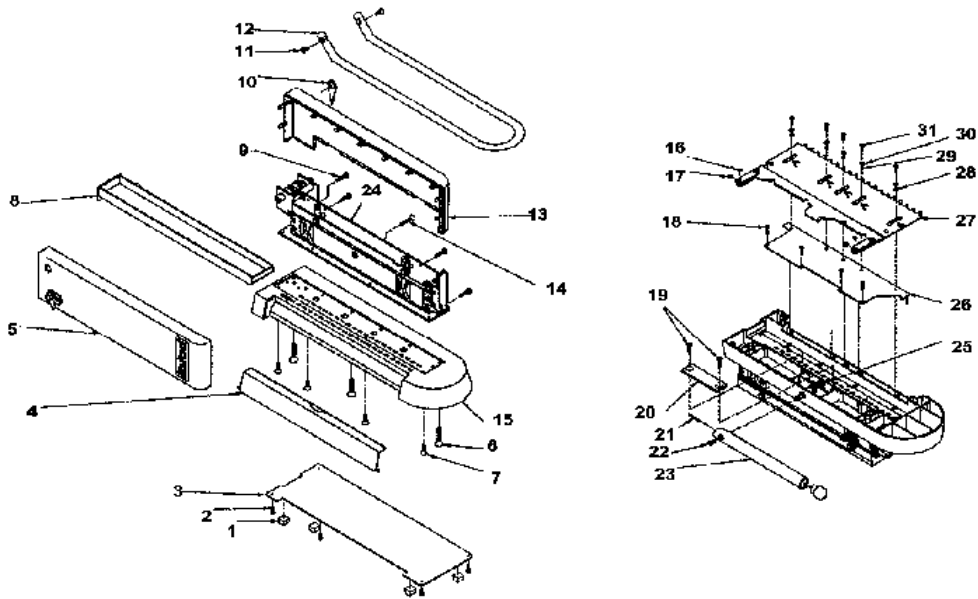


## EB19 PARTS LIST



ITEM	GBC#	IBICO#	DESCRIPTION	QTY.
1	7400873	2502810	RUBBER FOOT	4
2	1800166	9910100	PHILLIPS SCREW	4
3	7400872	2508744	BOTTOM PLATE	1
4	7400813	1176890	FLAP	1
5	7400812	1176490	HOUSING,LEFT SUB ASSY.	1
6	1800172	9910800	PHIL SCREW M4X8,9	3
7	1800152	9906800	PHIL SCREW M4X6	4
8	7400881	2508510	DRAWER	1
9	1800119	9910200	PHIL SCREW	8
10	7400879	2506510	CLOSER GUIDE	1
11	1800170	9910600	SCREW, BUTTON HD. CAP	2
12	7400880	1175043	PUNCH LEVER CLAMP CPL.	1
13	7400878	2509270	CHASSIS RIGHT	1
14	1800167	9910300	PHIL SCREW	3
15	7400816	1177290	BOTTOM HOUSING ASSY.	1
16	1800451	9950200	RETAINING RING	11
17	7400828	2502530	DISTANCE RING	4
18	1800119	9910200	PHIL SCREW	8
19	1800167	9910300	PHIL SCREW	3
20	7400869	2507329	PRESSURE STRIP	1
21	1800524	9963900	PIN, PARALLEL 3M6X24	1
22	1800210	9916800	PHIL SCREW	1
23	7400814	1177390	LEVER CPL.*	1
24	7400900	1176390	KNIFE PUNCH ASSY.**	1
25	1961503	N/A	LUBRIPLATE	1
26	7400862	2507820	COMB	1
27	7400811	N/A	SLIDE ASSY.	1
28	7400868	2507630	GUIDE RING	2
29	7400867	2507530	GUIDE RING	3
30	1800313	9930400	WASHER	5
31	1800179	9913000	SCREW 40X12	5

\*7400814 INCLUDES LEVER AND FLAP. MUST ALSO ORDER 7400815 AND 1800210 .

\*\*7400900 INCLUDES PUNCHING KNIFE, KNIFE JOINT , AND JOINT PIN.

\*\*\* 7400815 INCLUDES AXLE , GEAR WHEEL , AND SLOTTED SPRING PIN.

## EB19 PARTS LIST

32	7400815	1177490	AXLE CPL. (NOT SHOWN) ***	1
----	---------	---------	---------------------------	---

\*7400814 INCLUDES LEVER AND FLAP. MUST ALSO ORDER 7400815 AND 1800210 .

\*\*7400900 INCLUDES PUNCHING KNIFE, KNIFE JOINT , AND JOINT PIN.

\*\*\* 7400815 INCLUDES AXLE , GEAR WHEEL , AND SLOTTED SPRING PIN.