
***Falcon 60 CE Series II
Illustrated Parts Booklet
(000 - 068)***

© GBC Films Group, December 2000
Do not duplicate without written permission

Booklet #: F60CESeriesIIPB001

**GBC Films Group
4151 Anderson Road
DeForest, WI 53532
Ph: (608) 246 - 8844
Fx: (608) 246 - 8645**

Links to Content

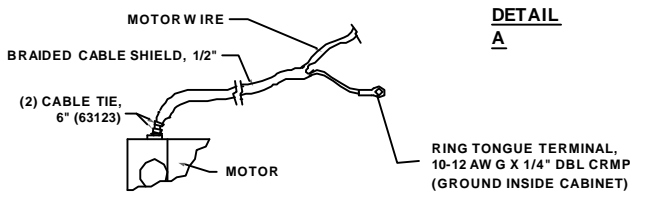
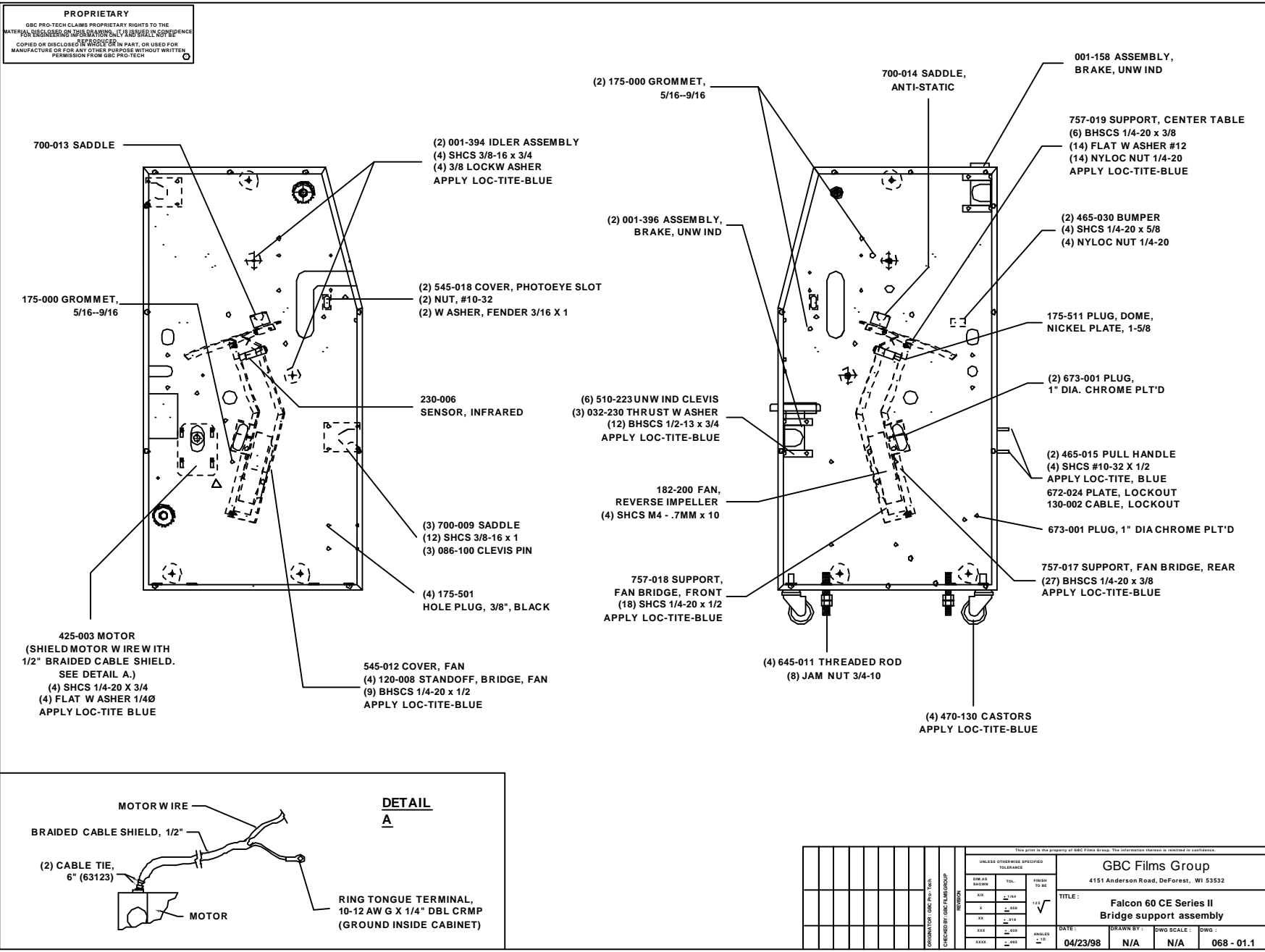
Drawing number :	Drawing Title:	Page number:
068 - 01.1	Bridge support assembly	1 - 1
068 - 01.2	Front and rear views	1 - 2
068 - 02.0	Chain and drive assembly	1 - 3
068 - 03.0	Main roller lift assembly	1 - 4
068 - 04.1	Pull roll cover assembly	1 - 5
068 - 04.2	Pull roll lift assembly	1 - 6
068 - 05.1	Control side electrical	1 - 7
068 - 05.2	Drive side electrical	1 - 8
068 - 05.3	Safety stops	1 - 9
068 - 06.1	Electrical panel assembly	1 - 10
068 - 06.2	Detail assemblies	1 - 11
068 - 07.0	Final assembly	1 - 12

Drawing number :

Drawing Title:

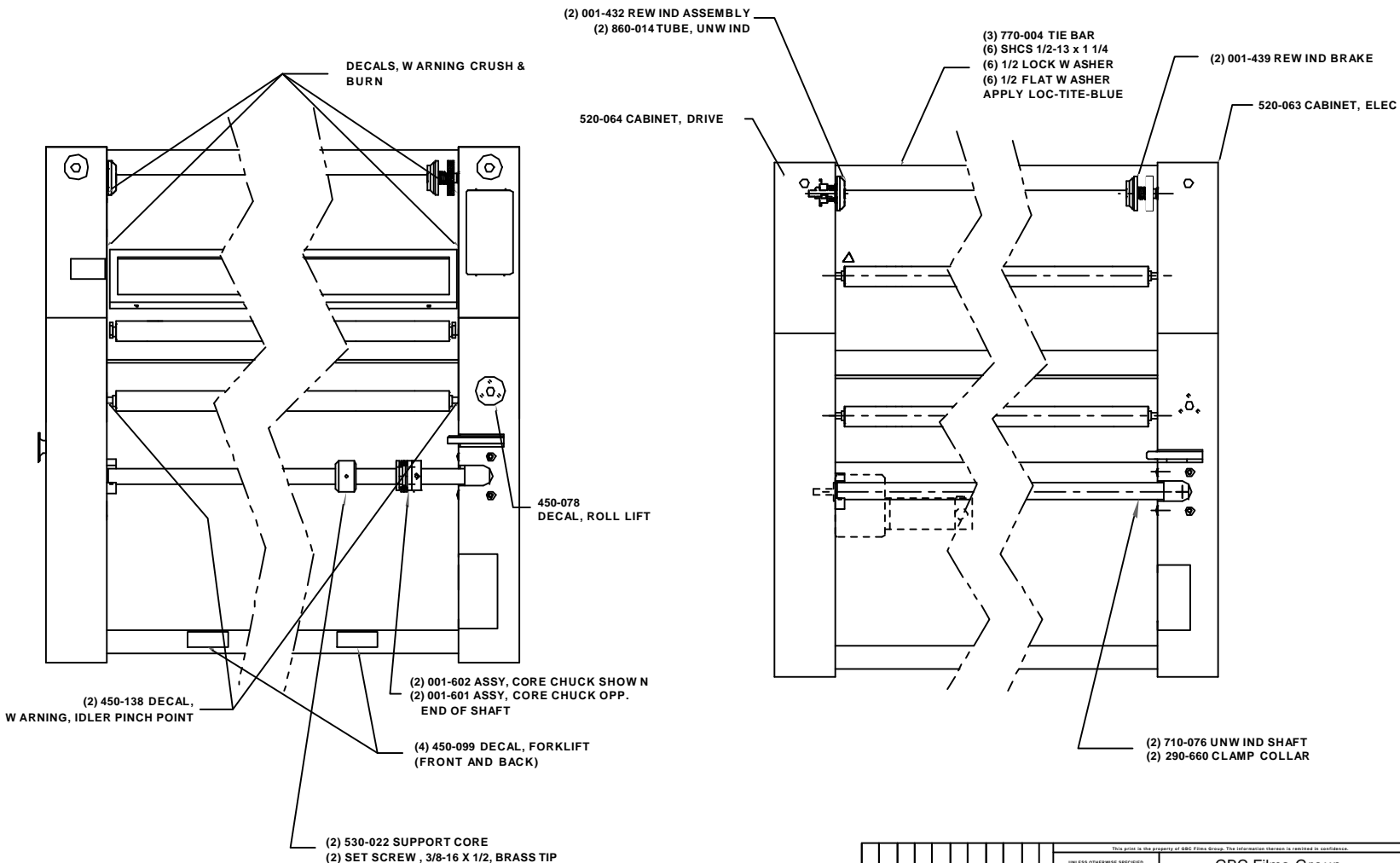
Page number:

This page intentionally left blank.

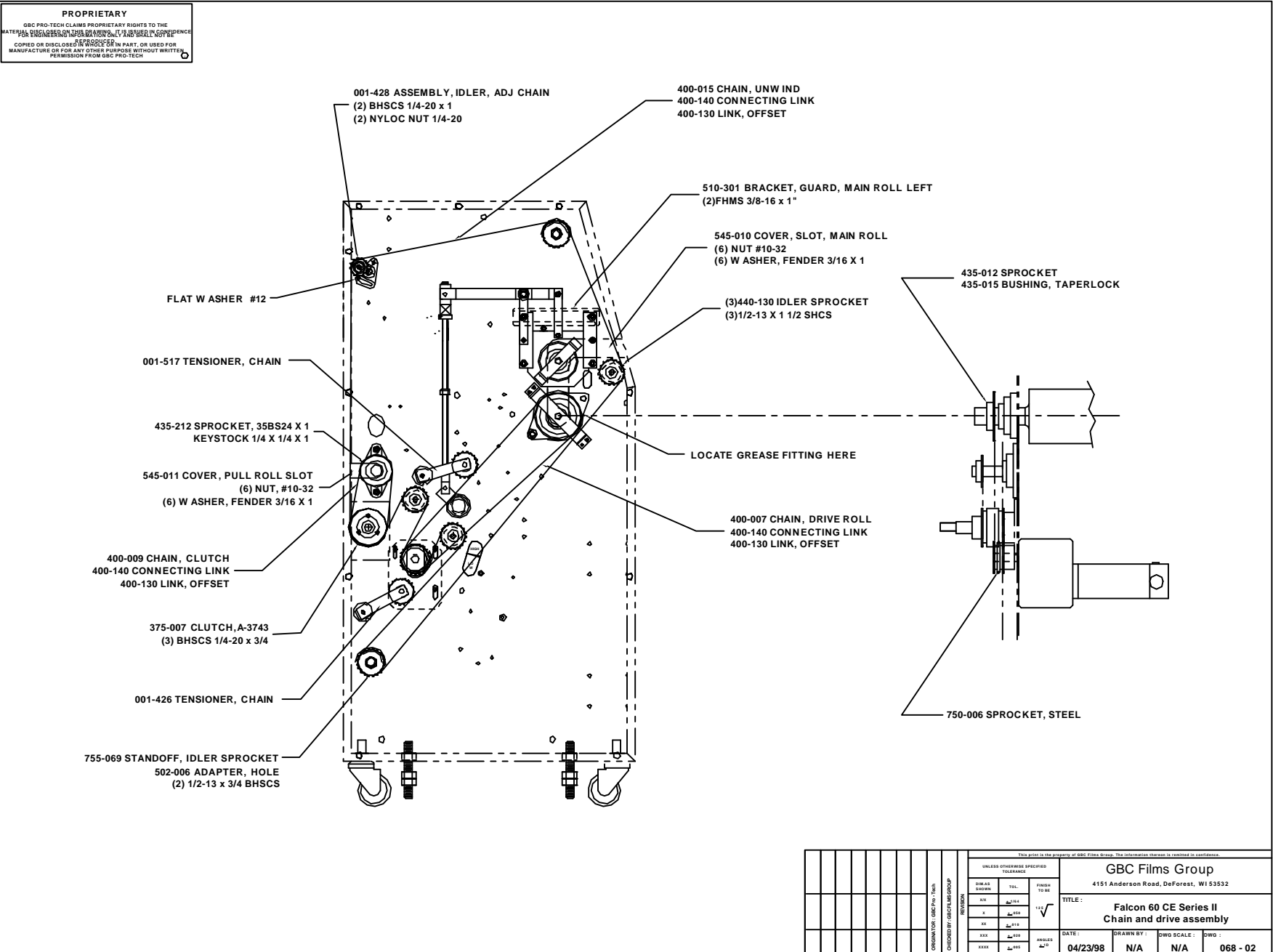


UNLESS OTHERWISE SPECIFIED TOLERANCE		GBC Films Group 4151 Anderson Road, DeForest, WI 53532	
DIM. AS SHOWN	TOL.	FRACTION TO BE	TITLE:
XX	±.004	1/16	Falcon 60 CE Series II Bridge support assembly
X	±.010	✓	DATE: 04/23/98
XX	±.010		DRAWN BY: N/A
XXX	±.010		DWG SCALE: N/A
XXXX	±.010		DWG: 068 - 01.1

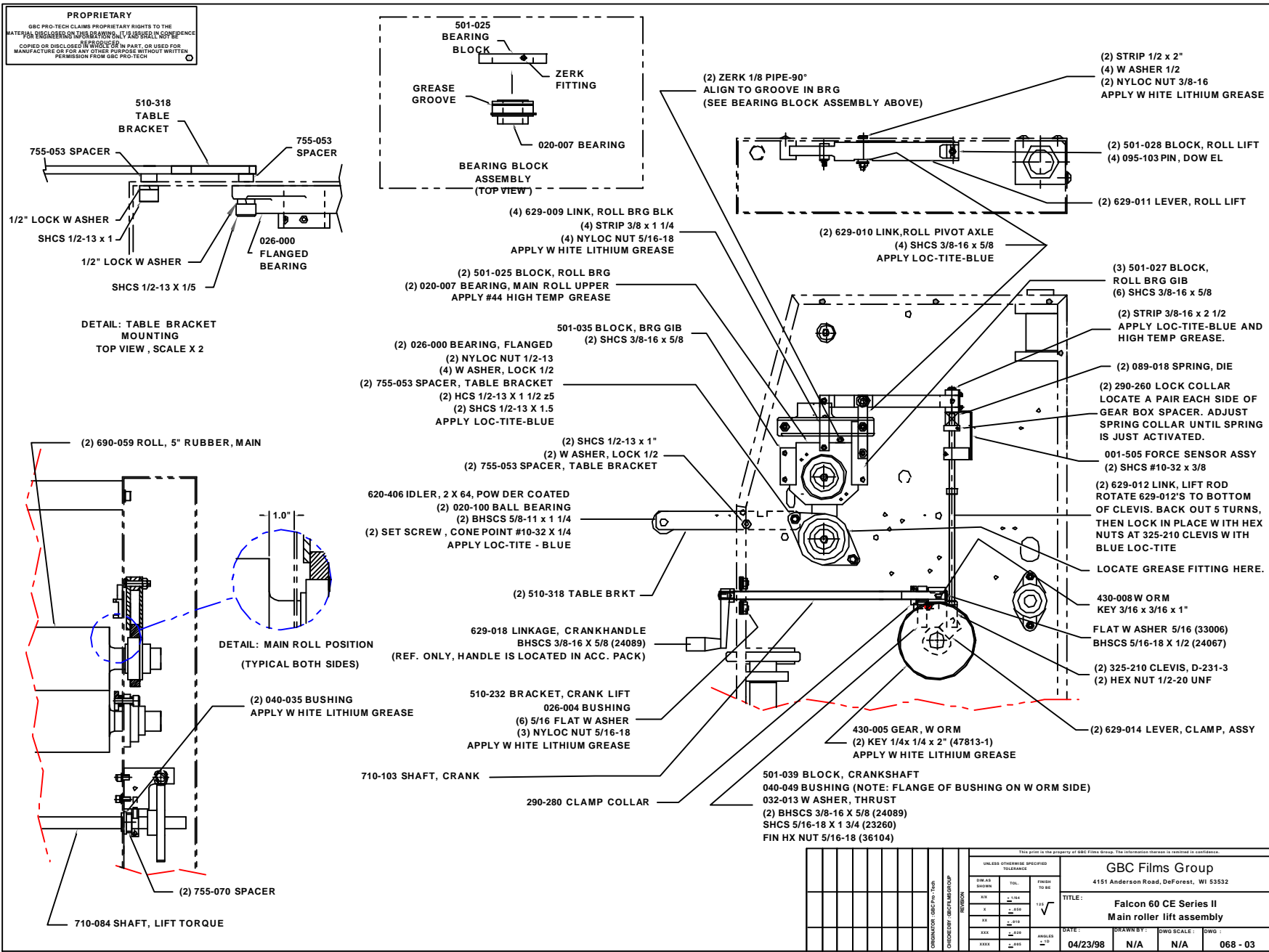
PROPRIETARY
 GBC PRO-TECH CLAIMS PROPRIETARY RIGHTS TO THE
 MATERIALS, DESIGN, AND CONSTRUCTION OF THE
 INFORMATION PROVIDED.
 COPIED OR DISCLOSED IN WHOLE OR IN PART, OR USED FOR
 MANUFACTURE OR FOR ANY OTHER PURPOSE WITHOUT WRITTEN
 PERMISSION FROM GBC PRO-TECH



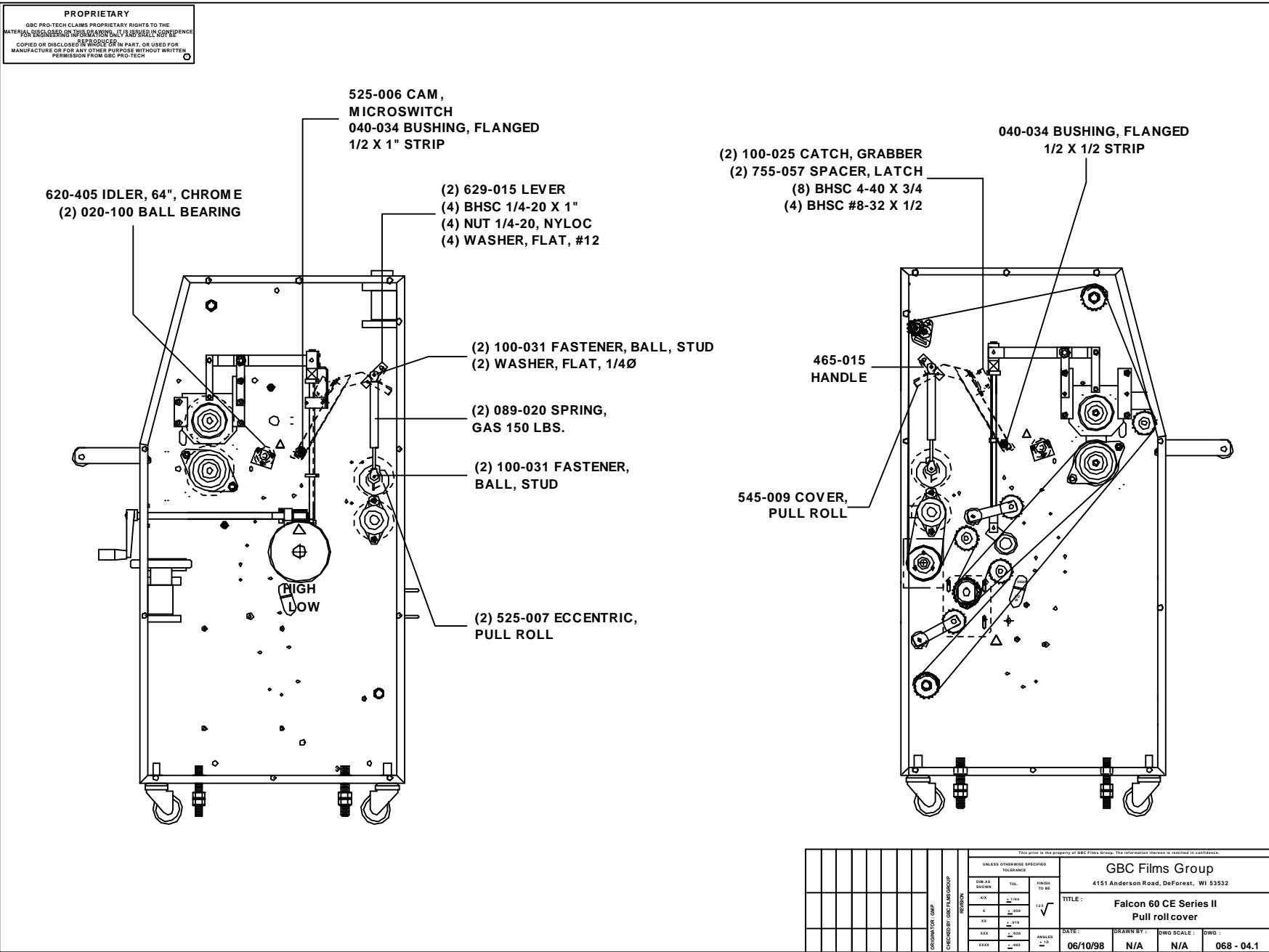
UNLESS OTHERWISE SPECIFIED TOLERANCE				FINISH TO BE		GBC Films Group 4151 Anderson Road, DeForest, WI 53532			
DIM AS SHOWN	TOL.	FINISH	TO BE	TITLE:		DATE:	DRAWN BY:	DWG SCALE:	DWG NO.
XXX	±.004	11.5		Falcon 60 CE Series II		04/23/98	N/A	N/A	068 - 01.2
X	±.003			Front and rear views					
XX	±.002								
XX	±.001								
XXX	±.001								
XXXX	±.001								



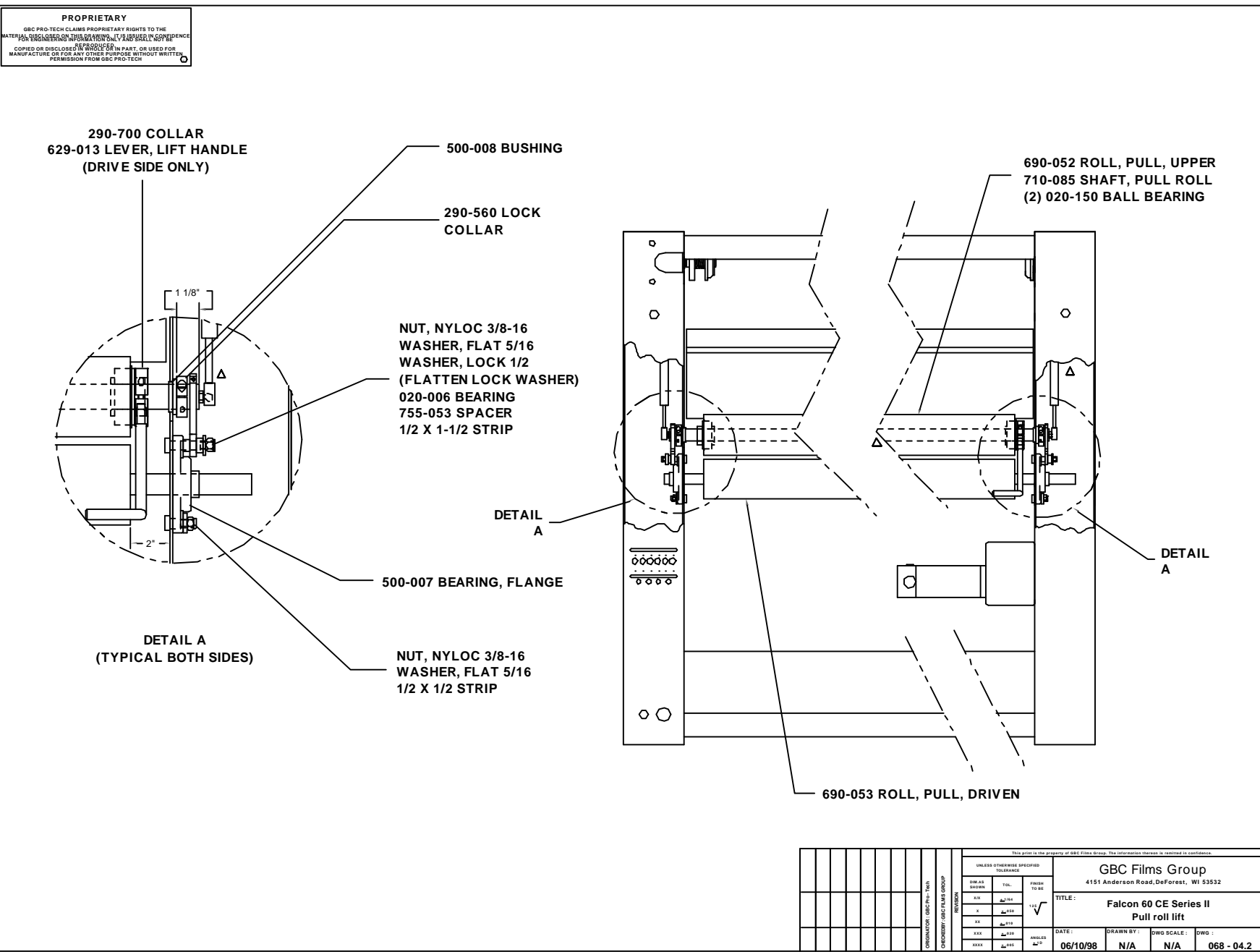
UNLESS OTHERWISE SPECIFIED TOLERANCE				GBC Films Group 4151 Anderson Road, DeForest, WI 53532			
DIR. AS SHOWN	TOL.	FRACTION	TO DEC.	TITLE: Falcon 60 CE Series II Chain and drive assembly			
XX	$\pm .01$			DATE:	DRAWN BY:	DWG SCALE:	DWG:
X	$\pm .02$			04/23/98	N/A	N/A	068 - 02
XX	$\pm .03$						
XXX	$\pm .04$						
XXXX	$\pm .05$						



UNLESS OTHERWISE SPECIFIED TOLERANCE				GBC Films Group 4151 Anderson Road, DeForest, WI 53532	
SURF. FIN.	TOL.	FINISH	REVISION	TITLE: Falcon 60 CE Series II Main roller lift assembly	
XXX	±.100	114		DATE:	DRAWN BY:
XX	±.050			04/23/98	N/A
X	±.010			DWG SCALE:	DWG:
XX	±.010				068 - 03
XXX	±.010				
XXXX	±.010				



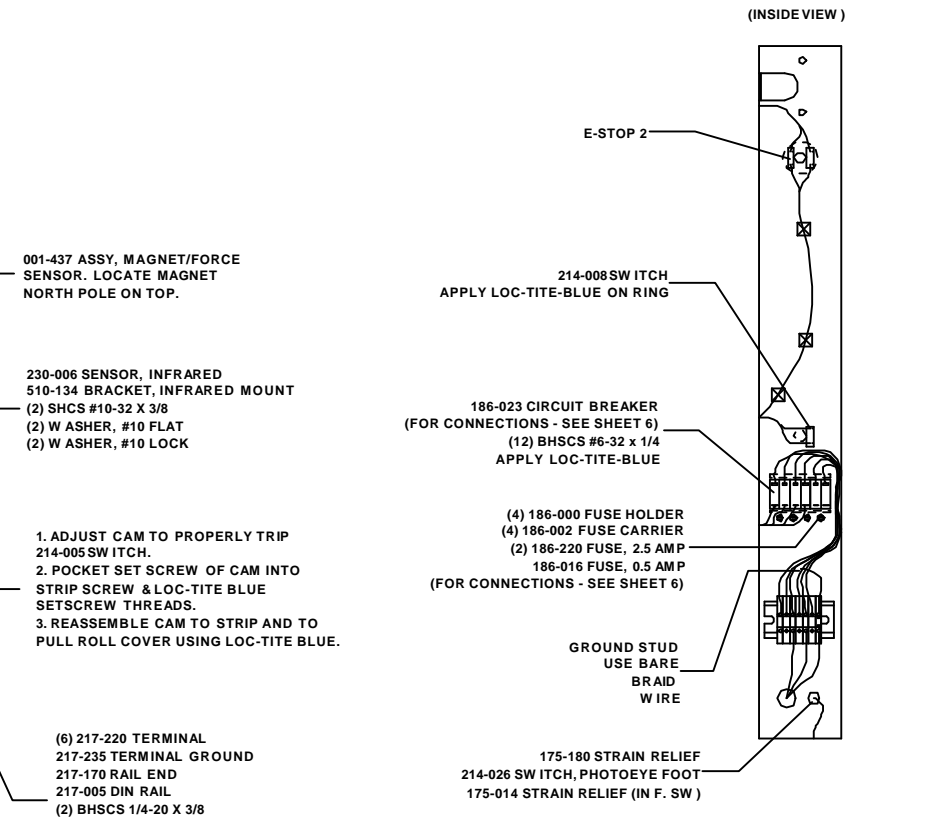
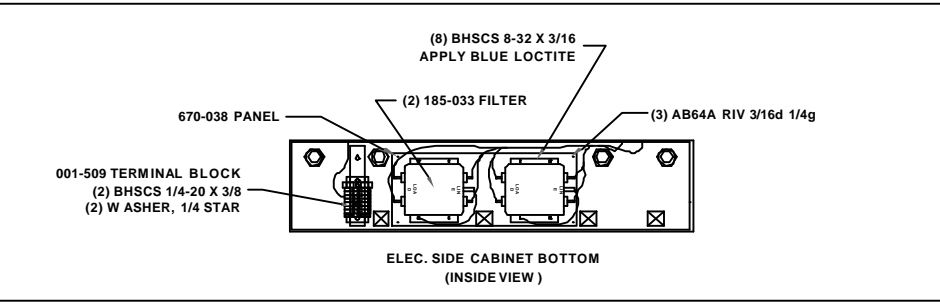
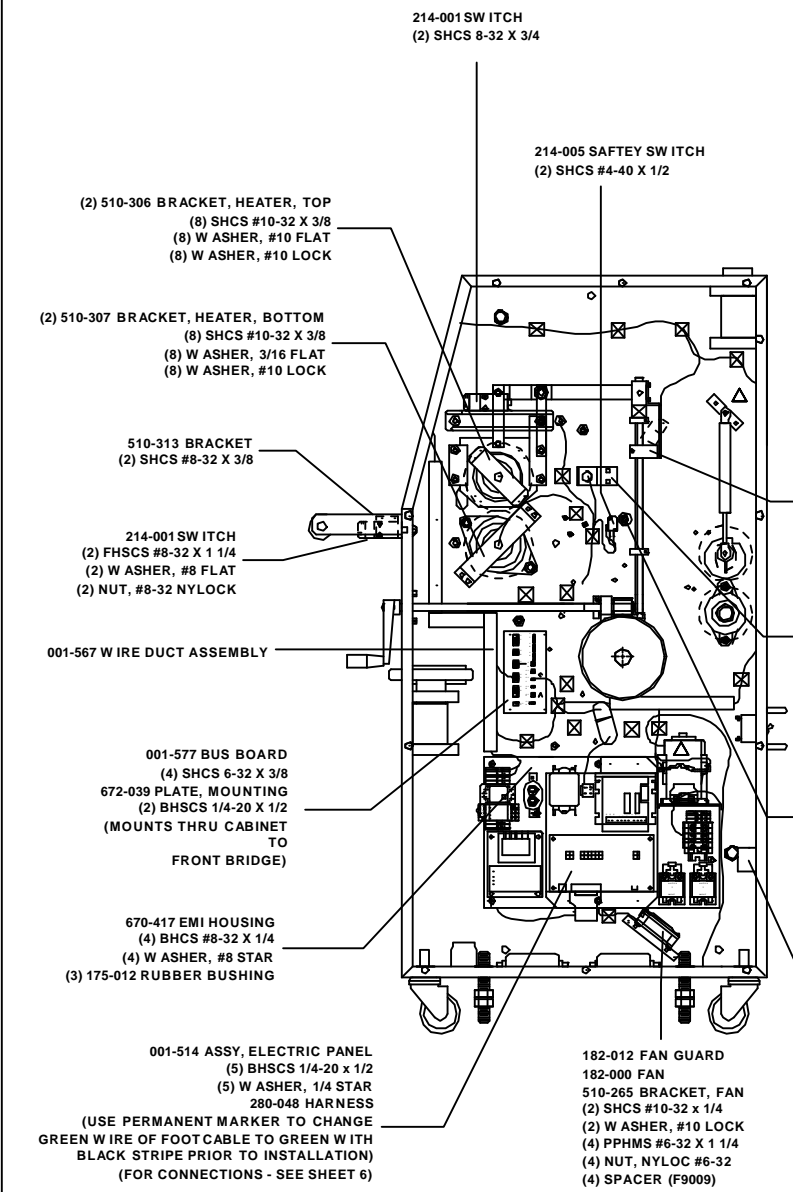
UNLESS OTHERWISE SPECIFIED TOLERANCE		GBC Films Group 4151 Anderson Road, DeForest, WI 53532	
DWG AS SHOWN	TOL.	FRACTION TO BE	TITLE: Falcon 60 CE Series II Pull roll cover
XX	±.004	1/16	DATE: 06/10/98
X	±.010		DRAWN BY: N/A
XX	±.015		DWG SCALE: N/A
XXX	±.020		DWG: 068 - 04.1
XXXX	±.025		



PROPRIETARY
 GBC PRO-TECH CLAIMS PROPRIETARY RIGHTS TO THE
 MATERIALS, DESIGN AND INFORMATION CONTAINED
 HEREIN. REPRODUCTION, COPIED OR DISCLOSED IN
 WHOLE OR IN PART, OR USED FOR
 MANUFACTURE OR FOR ANY OTHER PURPOSE WITHOUT WRITTEN
 PERMISSION FROM GBC PRO-TECH

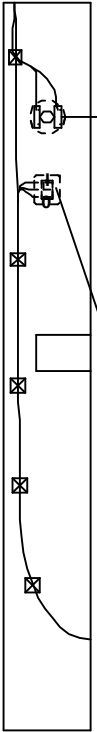
UNLESS OTHERWISE SPECIFIED TOLERANCE									
DR. AS SHOWN	TOL.	FINISH	GBC Films Group 4151 Anderson Road, DeForest, WI 53532						
XX	±.004	11.5	TITLE: Falcon 60 CE Series II Pull roll lift						
X	±.010		DATE:	DRAWN BY:	DWG SCALE:	DWG :			
XX	±.010		06/10/98	N/A	N/A	068 - 04.2			
XXX	±.020								
XXXX	±.040								

PROPRIETARY
 GBC PRO-TECH CLAIMS PROPRIETARY RIGHTS TO THE MATERIAL DISCLOSED HEREIN. IT IS HEREBY ADVISED FOR ENGINEERING INFORMATION ONLY AND SHALL NOT BE COPIED OR DISCLOSED IN ANY PART, OR USED FOR MANUFACTURE OR FOR ANY OTHER PURPOSE WITHOUT WRITTEN PERMISSION FROM GBC PRO-TECH



UNLESS OTHERWISE SPECIFIED TOLERANCE			GBC Films Group 4151 Anderson Road, DeForest, WI 53532	
DIR AS SHOWN	TOL.	FRACTION TO 100	TITLE: Falcon 60 CE Series II Electrical - Control side	
XX	±.01	1/100	DATE:	DRAWN BY:
X	±.005	1/200	01/14/98	N/A
XX	±.010	1/100	DATE:	DWG SCALE:
XXX	±.005	1/200		068 - 05.1
XXXX	±.005	1/200		

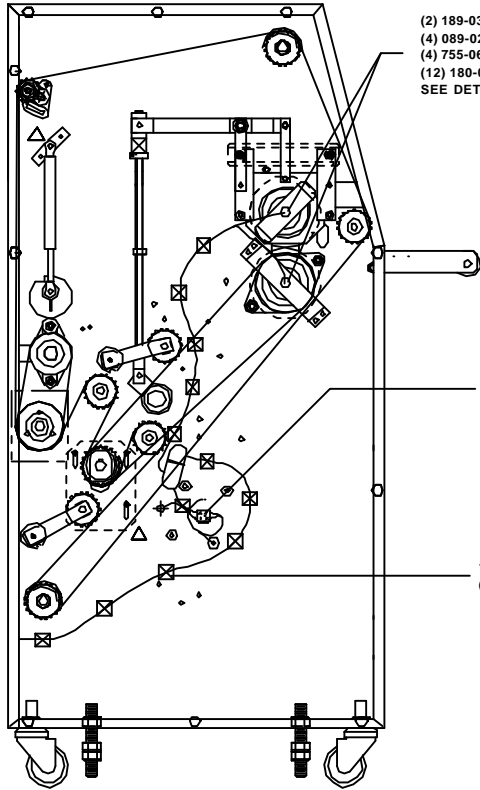
PROPRIETARY
 GBC PRO-TECH CLAIMS PROPRIETARY RIGHTS TO THE
 MATERIAL HEREIN. ANY REPRODUCTION, COPIING,
 OR DISCLOSURE OF THIS INFORMATION IN ANY MANNER
 WITHOUT THE WRITTEN PERMISSION OF GBC PRO-TECH
 IS STRICTLY PROHIBITED.
 GBC PRO-TECH
 COPIED OR DISCLOSED IN WHOLE OR IN PART, OR USED FOR
 MANUFACTURE OR FOR ANY OTHER PURPOSE WITHOUT WRITTEN
 PERMISSION FROM GBC PRO-TECH



(INSIDE VIEW)

E-STOP 3

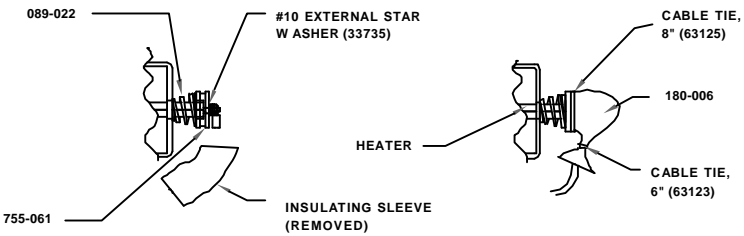
- 450-095 DECAL, RUN/STOP
- 214-290 SWITCH, RUN/STOP
- 214-295 SWITCH COVER, RED/GREEN (GREEN ON TOP)
- (2) 214-027 BARRIER, ROCKER SWITCH
(FOR CONNECTIONS - SEE SHEET 6)



- (2) 189-032 HEATER
- (4) 089-022 SPRING, HEATER TENSION
- (4) 755-061 SPACER, HEATER SPRING
- (12) 180-006 SLEEVE, INSULATING (4 PIECES, 3" LONG)
- SEE DETAIL A FOR INSTALLATION INSTRUCTIONS.

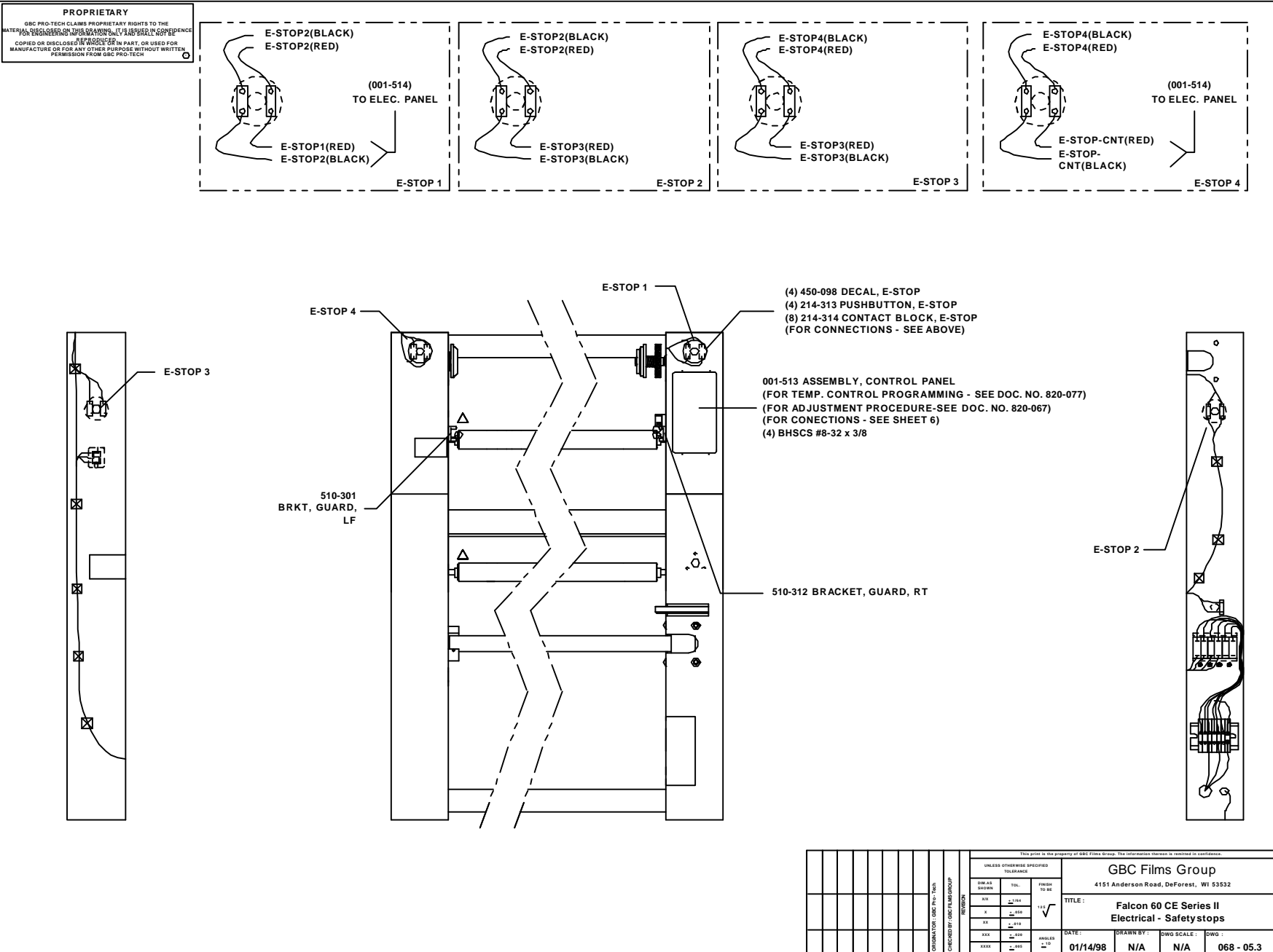
217-043 TERMINAL BLOCK
 (1) BHSCS #6-32 X 3/8

175-004 CABLE TIE BASE
 (APPROX. 50 TOTAL)



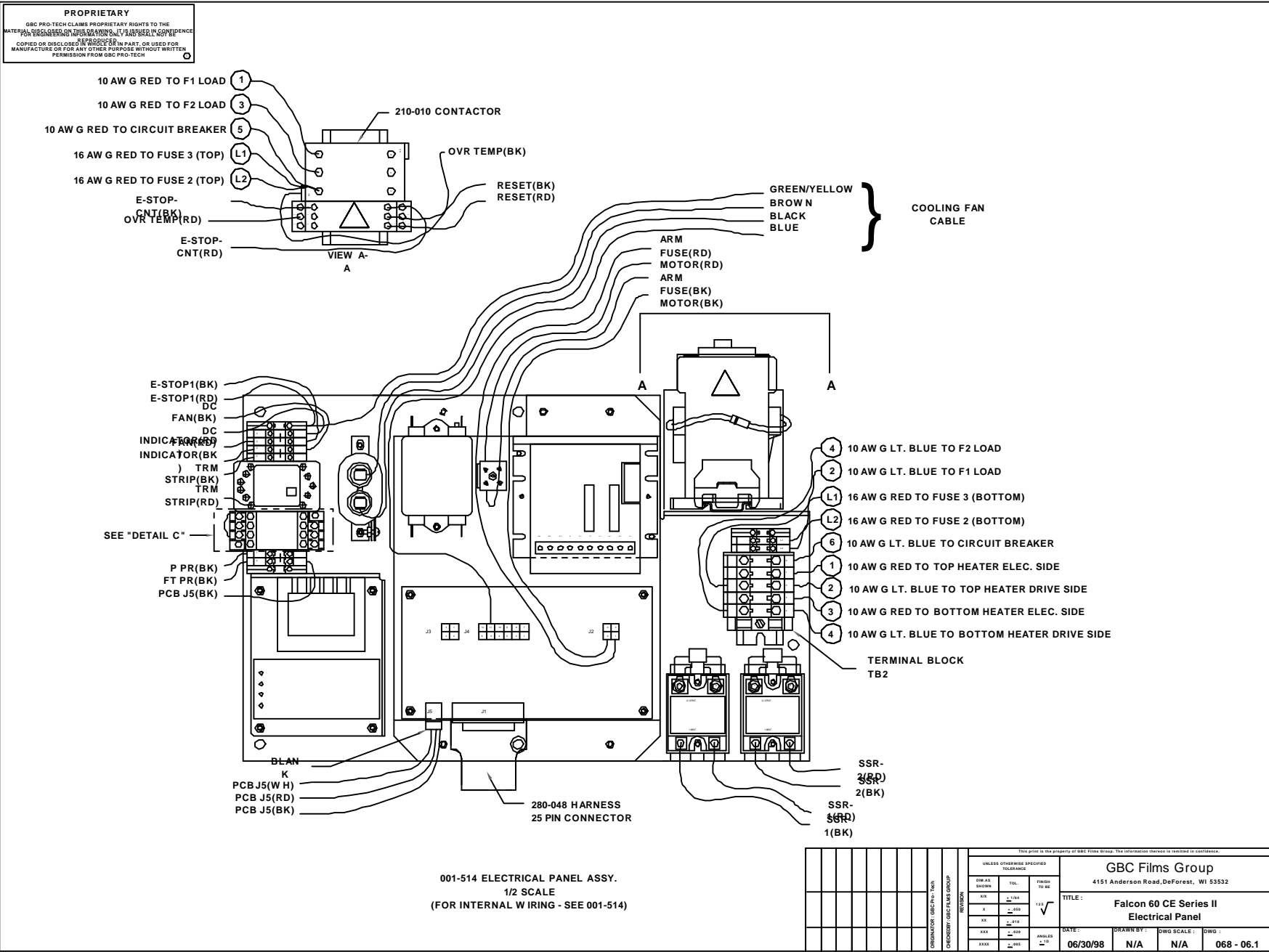
DETAIL A

UNLESS OTHERWISE SPECIFIED				TOLERANCE			
SIZE AS SHOWN	TOL.	FRACTION	TO BE	GBC Films Group 4151 Anderson Road, DeForest, WI 53532 TITLE: Falcon 60 CE Series II Electrical - Drive side DATE: 01/14/98 DRAWN BY: N/A DWG SCALE: N/A DWG: 068 - 5.2			
XXX	±.100						
XX	±.050						
X	±.025						
XX	±.010						
XXX	±.050	ANGLES	±.10				
XXXX	±.025						



UNLESS OTHERWISE SPECIFIED TOLERANCE		DIM AS SHOWN		FINISH TO BE	
XX	±.004	XX	±.004	XX	TO BE
X	±.010	X	±.010	X	TO BE
XX	±.010	XX	±.010	XX	TO BE
XXX	±.010	XXX	±.010	XXX	TO BE
XXXX	±.010	XXXX	±.010	XXXX	TO BE

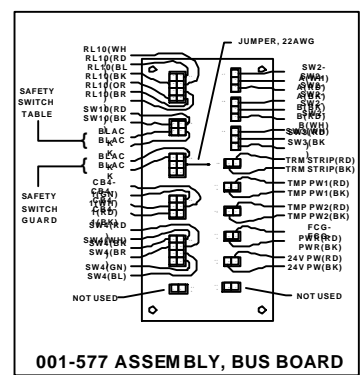
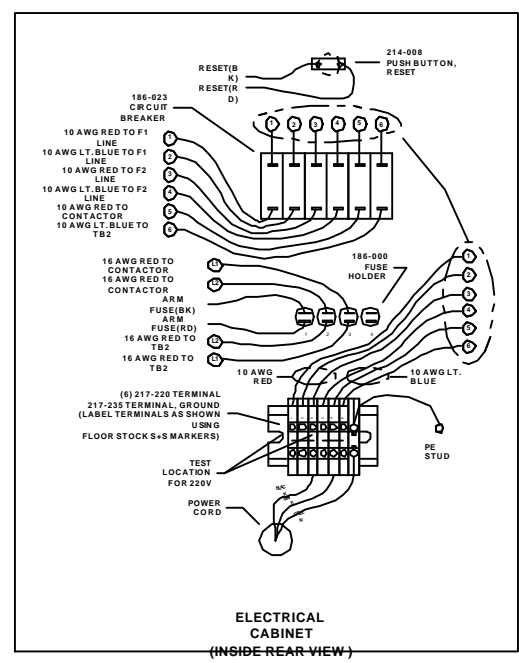
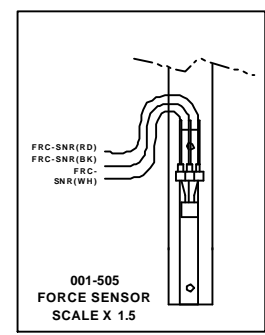
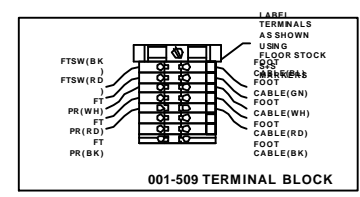
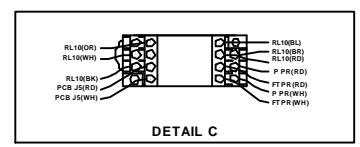
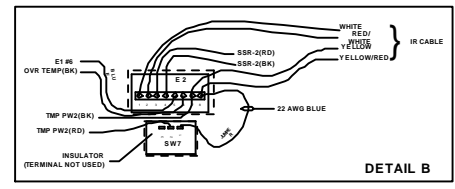
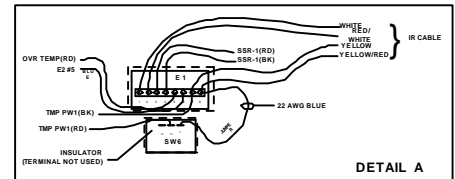
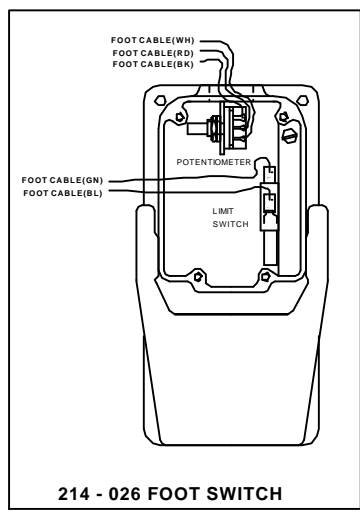
GBC Films Group 4151 Anderson Road, DeForest, WI 53532	
TITLE: Falcon 60 CE Series II Electrical - Safetystops	
DATE: 01/14/98	DRAWN BY: N/A
DWG SCALE: N/A	DWG: 068 - 05.3



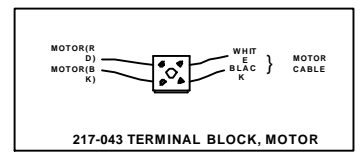
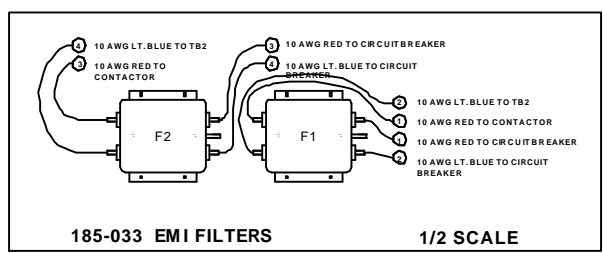
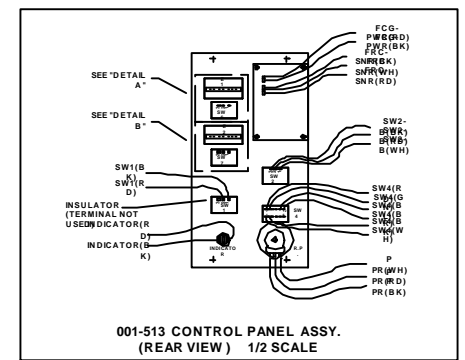
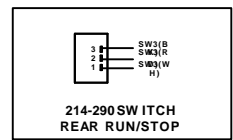
001-514 ELECTRICAL PANEL ASSY.
 1/2 SCALE
 (FOR INTERNAL WIRING - SEE 001-514)

UNLESS OTHERWISE SPECIFIED TOLERANCE			GBC Films Group 4151 Anderson Road, DeForest, WI 53532		
DIM AS SHOWN	TOL.	FRACTION TO BE	TITLE: Falcon 60 CE Series II Electrical Panel		
XX	±.104		DATE: 06/30/98 DRAWN BY: N/A DWG SCALE: N/A DWG: 068 - 06.1		
X	±.050				
XX	±.010				
XXX	±.004	UNLESS			
XXXX	±.002	±.02			

PROPRIETARY
 GBC PRO-TECH CLAIMS PROPRIETARY RIGHTS TO THE MATERIALS DESCRIBED ON THIS DRAWING. IT IS HEREBY ADVISED THAT ANY REPRODUCTION, COPIED OR DISCLOSED, IN ANY MANNER OR FOR ANY OTHER PURPOSE WITHOUT WRITTEN PERMISSION FROM GBC PRO-TECH.

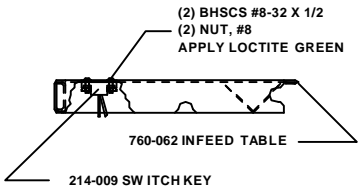


NOTES:
 HARNESS/CABLE CONNECTIONS DESIGNATED BY CABLE NAME FOLLOWED BY A 2 LETTER COLOR CODE IN PARENTHESES:
 RD=RED, WH=WHITE, BK=BLACK, BL=BLUE, BR=BROWN, GN=GREEN, OR=ORANGE.
 WIRE CONNECTIONS DESIGNATED BY WIRE GAUGE, COLOR, AND DESTINATION ALONG SIDE A BALLOON SHOWING THE WIRE LABEL.
 WIRE RL10(GN) IS NOT USED.



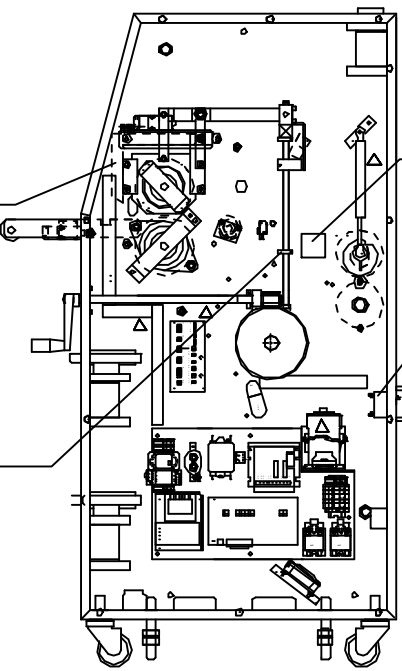
UNLESS OTHERWISE SPECIFIED TOLERANCE		GBC Films Group 4151 Anderson Road, DeForest, WI 53532	
DIM. AS SHOWN	TOL.	FRACTION TO BE	TITLE:
XX	±.004	1/16	Falcon 60 CE Series II Detail assemblies
X	±.010	1/32	DATE: 06/30/98
XX	±.010	1/32	DRAWN BY: N/A
XXX	±.010	1/32	DWG SCALE: N/A
XXXX	±.010	1/32	068 - 06.2

PROPRIETARY
 GBC PRO-TECH CLAIMS PROPRIETARY RIGHTS TO THE MATERIAL SPECIFIED ON THIS DRAWING. NO PART OR REFERENCE FOR ENGINEERING INFORMATION IS TO BE REPRODUCED, COPIED OR DISCLOSED IN WHOLE OR IN PART OR USED FOR MANUFACTURE OR FOR ANY OTHER PURPOSE WITHOUT WRITTEN PERMISSION FROM GBC PRO-TECH.



OPEN THE ROLLS TO A GAP OF 0.75", THREAD THIS LOCK COLLAR 290-260 INTO CONTACT WITH GEAR BOX SPACER BELOW IT, THEN LOCK CLAMP COLLAR INTO PLACE.
 CLOSE THE ROLLS UNTIL FORCE GAGE IS AT 100%, THREAD LOCK COLLAR 290-260 BELOW THE GEAR BOX SPACER UP INTO CONTACT WITH THE GEAR BOX SPACER, THEN LOCK CLAMP COLLAR INTO PLACE.

001-524 ASSEMBLY, GUARD, MAIN ROLL



450-180 DECAL, LARGE W ARNING TRIANGLE

- 450-007 DECAL, W IRING DIAGRAM (INSIDE OF CABINET)
- 450-121 DECAL, DANGER, VOLTAGE (INSIDE OF CABINET)
- 450-118 DECAL, READ INSTRUCTIONS
- 450-062 DECAL, RESET
- 450-097 DECAL, MAIN POW ER
- 450-101 DECAL FUSE
- 450-034 DECAL, PROTECTIVE EARTH (INSIDE OF CABINET)
- 450-035 DECAL W ARNING, HIGH VOLTAGE (INSIDE OF CABINET)
- 450-115 SERIAL DECAL

- 450-116 DECAL, W ARNING CRUSH & BURN (MACHINE DRIVE SIDE)
- 450-117 DECAL, W ARNING CRUSH & BURN (MACHINE CONTROL SIDE)

- 450-116 DECAL, W ARNING CRUSH & BURN (MACHINE CONTROL SIDE)
- 450-117 DECAL, W ARNING CRUSH & BURN (MACHINE DRIVE SIDE)

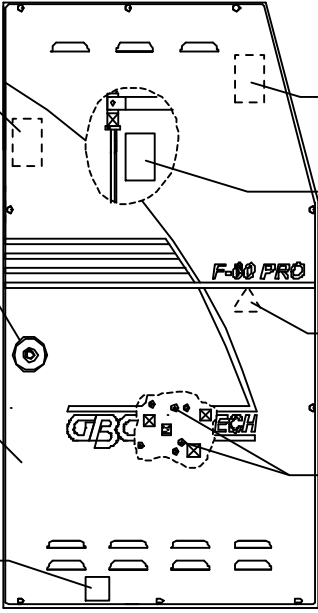
450-119 DECAL, W ARNING MOVING PARTS (INSIDE CABINET)

450-035 DECAL W ARNING, HIGH VOLTAGE

- 089-009 SPRING DISC
- 465-032 KNOB, CLUTCH
- NUT, JAM NYLON 3/4-16
- 673-002 PLUG, 1 3/4"

- 520-058 (520-052 OPPOSITE) CABINET, LEFT COVER
- (2) 450-072 DECAL, F-60 (LOCATION SHOW N ON "COVER ASSEMBLY")
- (2) 450-103 DECAL, SERIES II (LOCATION SHOW N ON "COVER ASSEMBLY")
- (20) BHSCS #10-32 x 3/8

450-180 DECAL, LARGE W ARNING TRIANGLE (BOTH SIDES)

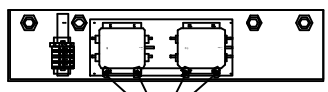


(2) 450-138 DECAL, W ARNING, IDLER PINCH POINT

450-089 DECAL, GROUND SYMBOL (INSIDE CABINET)

ACCESSORY KIT IS 001-511.

CABINET BOTTOM (INSIDEVIEW)



450-089 GROUND SYMBOL

UNLESS OTHERWISE SPECIFIED TOLERANCE			GBC Films Group 4151 Anderson Road, DeForest, WI 53532	
SIZE AS SHOWN	TOL.	FINISH	TITLE: Falcon 60 CE Series II Final assembly	
XXX	±.104	11.7	DATE: 06/30/98	DRAWN BY: N/A
X	±.050		DWG SCALE: N/A	DWG: 068 - 07
XX	±.010			
XXX	±.004			
XXXX	±.002			