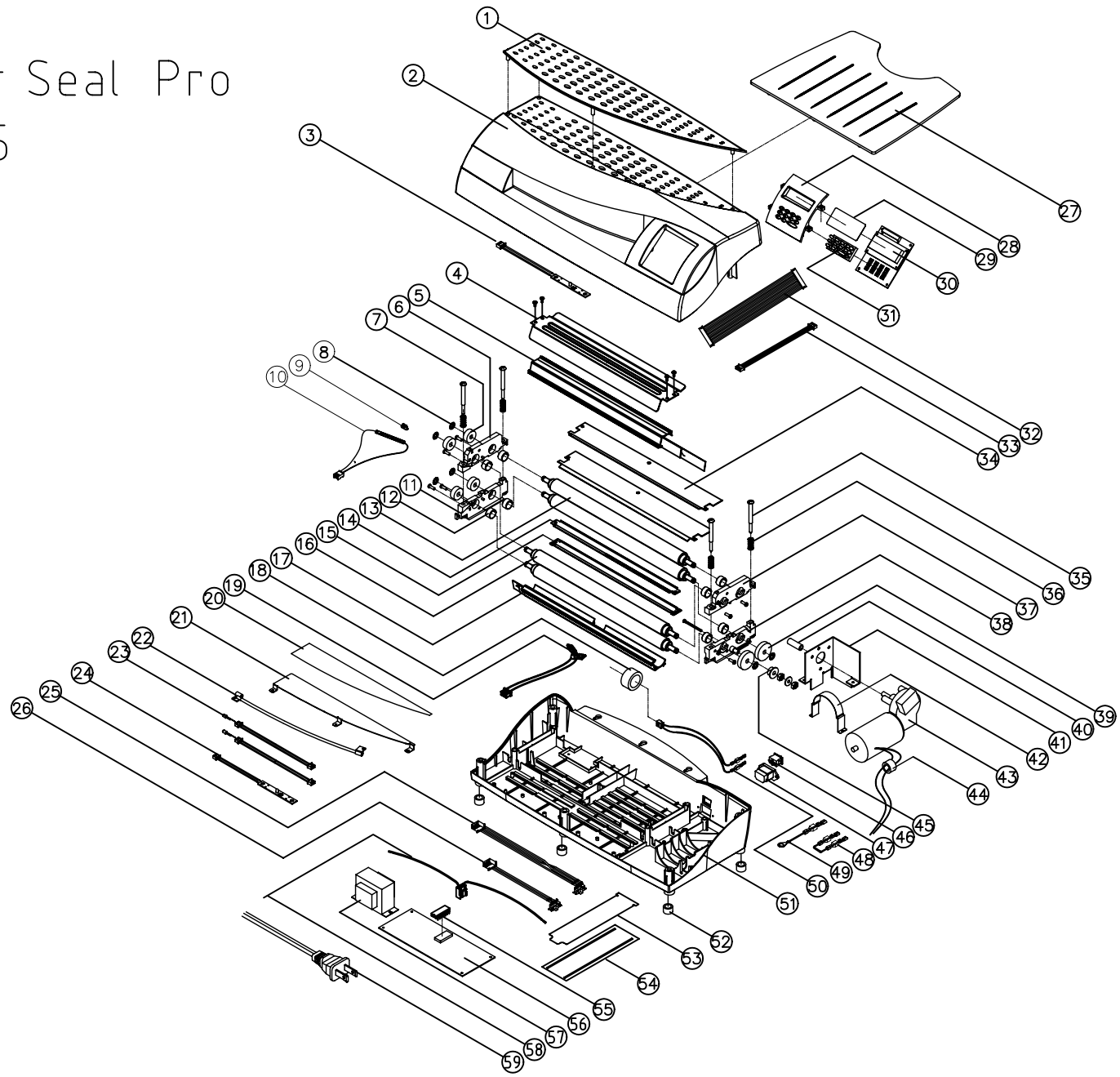


Heat Seal Pro H525



W210-01A 1.0



TEX YEAR INDUSTRIES INC.

REV.	DESCRIPTION	CHANGE BY	APPD. BY	MODEL	TLH-32K	TITLE	Explosion	DWG. NO.	DSXLPEXPLOSION
				DRAWND BY		SIZE		MATERIAL	N/A
				DESIGND BY		APPD. BY	KavinLin	VERSION	A.0

SCALE	N/A	UNIT	N/A
-------	-----	------	-----

Docuseal Pro service menu**PARTS LIST**

No.	DESCRIPTION	PART NUM.	QTY
1	Vent Piece	24300080C	1
2	Top Housing	24300078C	1
3	Lead Wire (irradiance)	2A37076C	1
4	Heat Shield	24500076C	1
5	Heating Element Assembly (Top)	2A37048C	1
6	Left Side Plate (Top)	24300084C	1
7	Gear 8T	26700019C	4
8	E Clip	26100059C	6
9	Fuse Fixture	26500066C	1
10	Thermal fuse	24700277C	1
11	Left Side Plate (Bottom)	24300083C	1
12	Clean Metal	24500072C	8
13	Rear Roller	24400011C	2
14	Mid. Plate (Top)	24500116C	1
15	Mid. Plate (Bottom)	24500117C	1
16	Front Roller	24400010C	2
17	Heating Element Assembly (Bottom)	2A37049C	1
18	EMI Core	24700166C	1
19	Lead Wire (NTC)	24700153C	1
20	Reflex Label	24200159C	1
21	Entrance Plate	24500071C	1
22	LLG Set	2A37078C	1
23	Lead Wire (LED)	24700156C	1
24	Lead Wire (Receiving)	2A37077C	1
25	Lead Wire (Sleep)	24700243C	1
26	Lead Wire (./.)	24700154C	1
27	Exit Plastic Support Plate	24300317	1
28	LCD Monitor Cover	24300088C	1
29	Mylar	24700169C	1
30	Control PCB (LCD)	2A37083C	1
31	Key pad	24400012C	1
32	Lead Wire (LCD)	24500095C	1
33	Lead Wire (Reverse)	24700267C	1
34	Exit Plate	24500119C	2
35	Screw	26100076	4
36	Roller Coil Spring	26500026C	4
37	Right Side Plate (Top)	24300082C	1
38	Right Side Plate (Bottom)	24300081C	1
39	Gear 36T	24700102C	2

40	Gear 11T	24700165C	1	
41	Motor Fixture	24500070C	1	
42	Protection Cover (motor)	24500074C	1	
43	Motor	24700161C	1	
44	EMI Core	24700167C	1	
45	Gear 16T	26700018C	1	
46	Power Switch	24700094C	1	
47	Inlet	24700060	1	
48	Lead Wire (power 1)	24700133C	1	
49	Lead Wire (power 2)	24700155C	1	
50	Bottom Housing	24300079C	1	
51	Rubber foot	26400010C	8	
52	Lamination Guide	24200147C	1	
53	Lamination Guide Sliding Frame	24200148C	1	
54	IC Chip	IC(32K)	24600124DS	1
55	Main PC Board	2A37040C	1	
56	Transformer 230V	24700160C	1	
57	Terminal Block Wire (Heat)	24700093C	1	
58	Power Cord CE	24100050C	1	
	Power Cord SWISS	24100056C	1	
	Power Cord UK	24100055C	1	
	Power Cord AU	24100085C	1	

Packaging :

1	Shippable Box	24200131C	1
2	Styrofoam (Top)	24200133C	1
3	Styrofoam (Bottom)	24200134C	1
4	Instruction Manual	26200262C	1