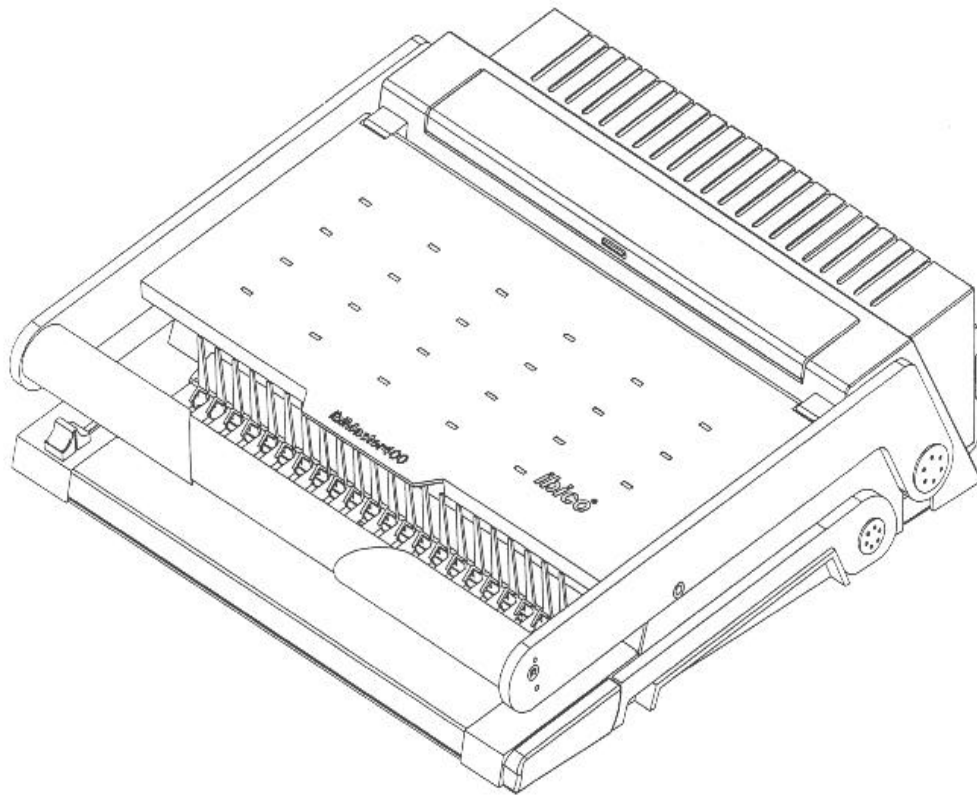
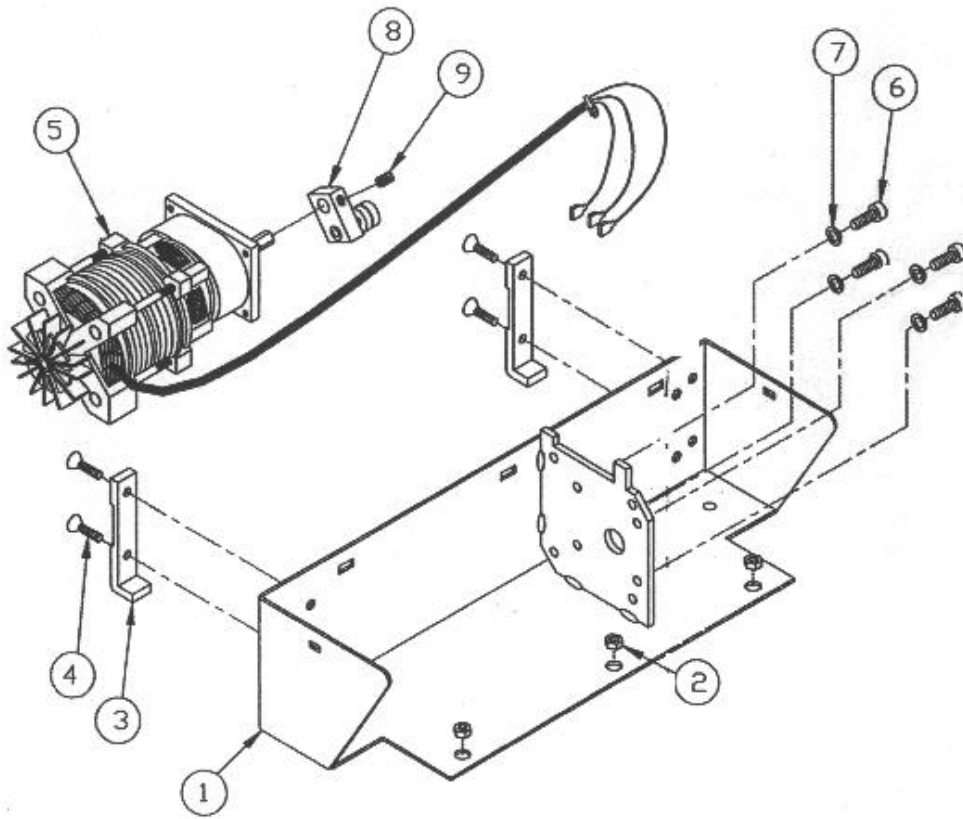


IBIMASTER 400E

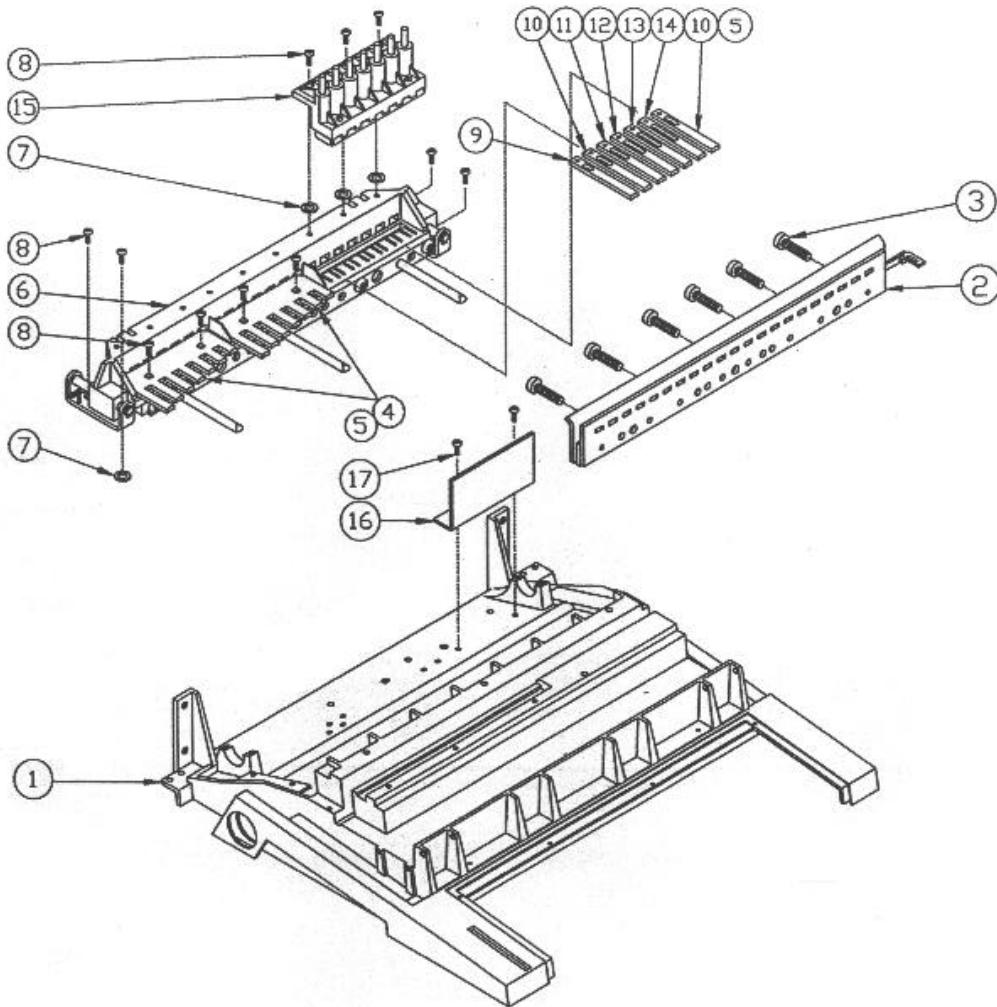


IBIMASTER 400E



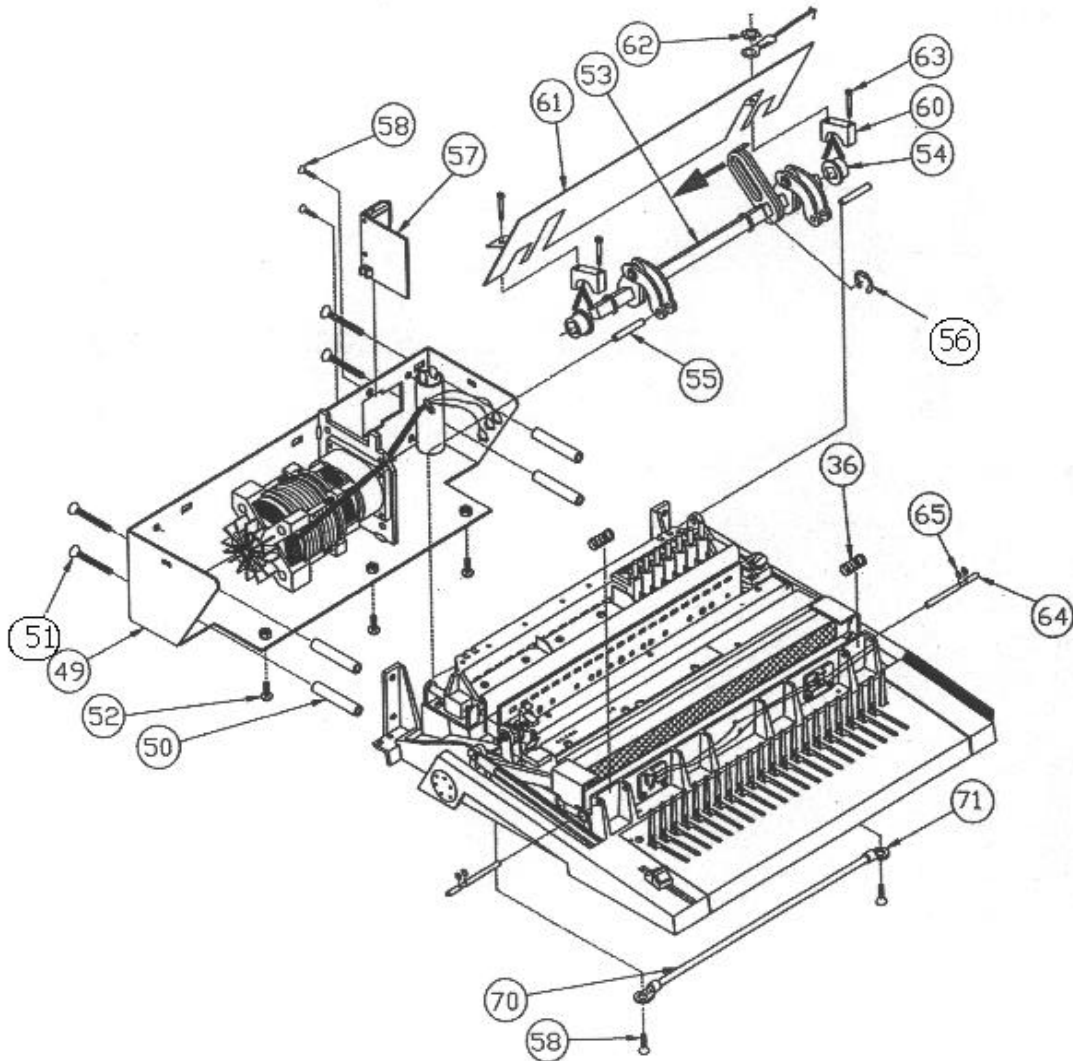
ITEM	GBC#	IBICO#	DESCRIPTION	QTY.
1	7402718	5601	Motor bracket assy.	1
2	1800416	9223	Pem-nut	3
3	7401653	5605	Unwind strip	2
4	1800127	9159	Screw (M5x16)	4
5	7402154	2631	Motor w/ gear 110v	1
6	1800109	9009	Screw (M4x20)	4
7	1800308	9400	Washer	4
8	7402703	5595	Crank assy.	1
9	1800114	9037	Set screw (M8x6)	1

IBIMASTER 400E



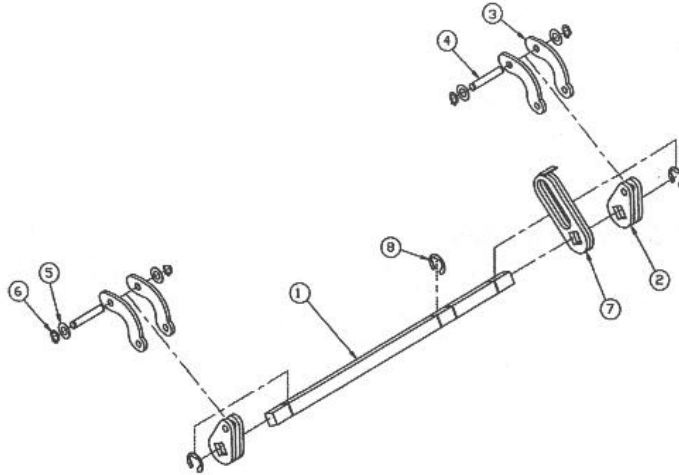
ITEM	GBC#	IBICO#	DESCRIPTION	QTY.
1	7402713	5593	Housing , bottom	1
2	7401527	5529	Matrix , assy.	1
3	1800125	9156	Screw (M5x20)	8
4	7401648	5590	Punching knife segment	2
5	N/A	N/A	Oil	
6	7401525	5513	Support sub-assy.	1
7	1800309	9338	Shim ring	5
8	1800120	9139	Screw (M5x12)	13
9	7401577	5520	Punching knife	1
10	7401575	5519	Punching knife	2
11	7401573	5518	Punching knife	1
12	7401571	5517	Punching knife	1
13	7401569	5516	Punching knife	1
14	7401567	5515	Punching knife	1
15	7401526	5514	Knife stop assy.	1
16	7401585	5526	Stop for punching knife	1
17	1800121	9140	Screw (M5x8)	10

IBIMASTER 400E



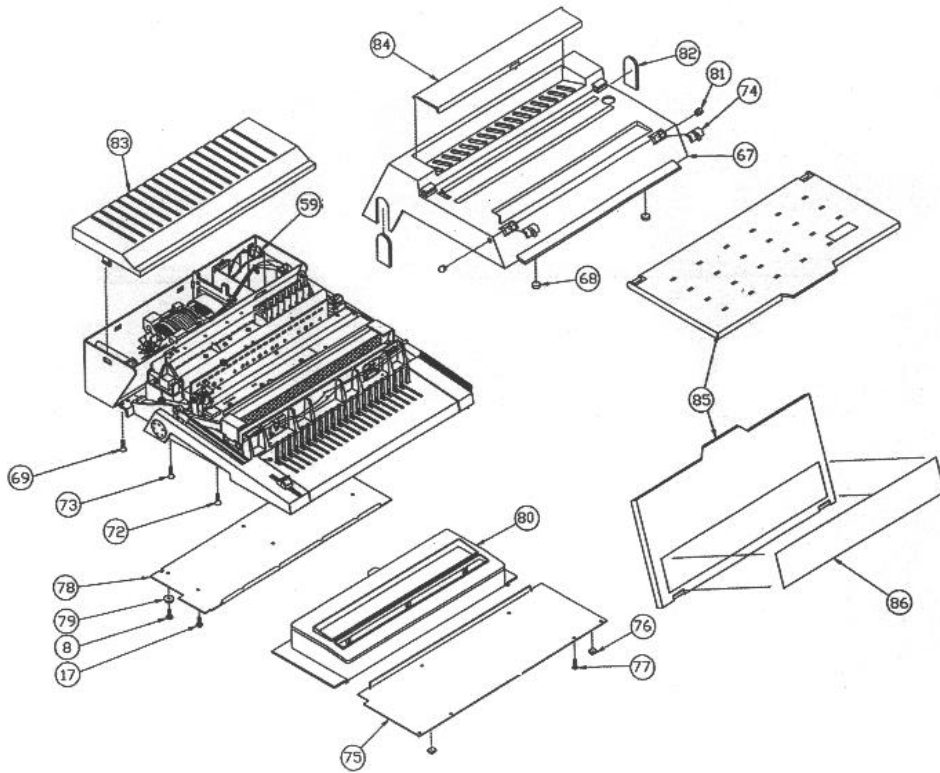
ITEM	GBC#	IBICO#	DESCRIPTION	QTY.
36	7401674	5652	Compression spring	3
49	7402701	N/A	Back chassis	1
50	7402734	5595	Distance holder	4
51	1800189	9170	Screw	4
52	1800188	9055	Screw	3
53	7402705	5624	Drive shaft assy.	1
54	7401598	5535	Bearing bushing	2
55	1800512	9651	Dowel pin	2
56	1800459	9523	Retaining ring	1
57	7402731	5684	Pcb assy. 115v	1
58	1800140	9021	Screw (M4x10)	4
60	7401602	5539	Bearing shell	2
61	7402735	5657	Electric guard	1
62	1800338	N/A	Lockwasher	1
63	1800124	9155	Screw (5x35)	4
64	7401664	5615	Pin for bolt	2
65	1800458	9508	Retaining washer	4
70	7402736	5658	Protection bar	1
71	7402737	5659	Cable shoes	2

IBIMASTER 400E



ITEM	GBC#	IBICO#	DESCRIPTION	QTY.
1	7402748	5624	Drive shaft	1
2	7401595	5533	Driving lever	4
3	7402749	5599	Lever punching	4
4	7401593	5531	Bolt	2
5	1800309	9338	Shim ring	4
6	1800454	9500	Retaining ring	4
7	7402719	5598	Wing assy.	1
8	1800459	9523	Retaining ring	3

IBIMASTER 400E



ITEM	GBC#	IBICO#	DESCRIPTION	QTY.
8	1800120	9139	Screw (M5x12)	13
17	1800121	9140	Screw (M5x8)	10
59	7402717	5684	L&T assy.	2
67	7402714	5663	Housing , top	1
68	7401677	5660	Cylinder	2
69	1800119	9102	Screw (KA40x16)	4
72	1800129	9164	Screw (KA30x12)	2
73	1800128	9160	Screw	3
74	7401563	5511	Slide for bolt	2
75	7401554	5501	Bottom plate , front	1
76	7400873	5028	Rubber foot	2
77	1800117	9075	Screw	2
78	7401654	5606	Bottom plate , back	1
79	7401671	5640	Rubber foot	2
80	7401522	5502	Chjp tray	1
81	7402738	5656	Cover for knob	2
82	7402739	5626	Cover for punch axle	2
83	7402740	5637	Cover for motor angle	1
84	7401650	5602	Flap	1
85	7402715	5515	Cover assy.(printed)	1
86	7402725	5692	Lbl. Instructions	1
87	7402706	5647	Foot pedal (not shown)	1
88	7402755	4048	Power cord (not shown)	1