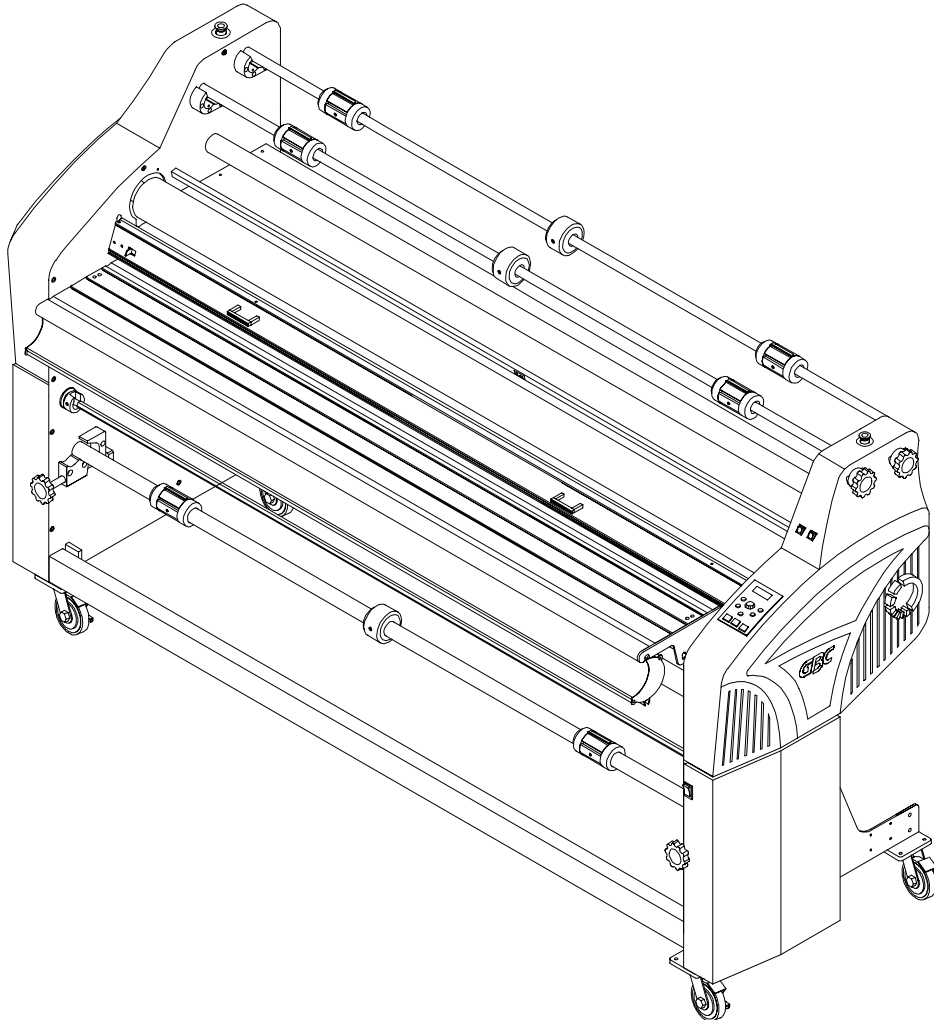


# GBC TALON 80 OPERATION AND MAINTENANCE MANUAL



Operating Instructions

- I** Istruzioni per l'Uso
- D** Bedienungsanleitungen
- NL** Gebruiksaanwijzing
- F** Mode d'Emploi
- E** Manual de Operación



The information in this publication is provided for reference and is believed to be accurate and complete. General Binding Corporation (GBC) is not liable for errors in this publication or for incidental or consequential damage in connection with the furnishing or use of the information in this publication, including, but not limited to, any implied warranty of fitness or merchantability for any particular use.

GBC reserves the right to make changes to this publication and to the products described in it without notice. All specifications and information concerning products are subject to change without notice.

Reference in this publication to information or products protected by copyright or patent does not convey any license under the rights of GBC or others. GBC assumes no liability arising from infringements of patents or any other rights of third parties.

This publication is copyrighted © 2003 by GBC. All rights reserved. The information contained in this publication is proprietary and may not be reproduced, stored, transmitted, or transferred, in whole or in part, in any form without the prior and express written permission of GBC.

## I

Le informazioni contenute in questo documento sono fornite a titolo di riferimento e sono considerate corrette e complete. General Binding Corporation (GBC) non si responsabilizza di eventuali errori contenuti in questo documento, né di danni incidentali o conseguenti relazionati con la fornitura e l'uso delle informazioni in questo documento, includendo senza limitazioni qualsiasi garanzia d'idoneità o commerciabilità per qualsiasi uso particolare.

GBC si riserva il diritto di effettuare cambi a questo documento e ai prodotti in esso descritti senza preavviso. Tutte le specifiche e le informazioni sui prodotti sono soggette a cambio senza preavviso.

In questo documento le referenze a informazioni e prodotti protetti da diritti di proprietà intellettuale o brevetti non trasferiscono nessuna licenza alla quale abbiano diritto GBC o altri. GBC non assume nessuna responsabilità derivante dalla violazione di brevetti o di qualsiasi altro diritto di terzi.

Copyright © 2003 Questo documento è soggetto ai diritti di proprietà intellettuale di GBC. Riservati tutti i diritti. Le informazioni contenute in questo documento sono di proprietà esclusiva e non possono essere riprodotte, conservate, trasferite, in tutto o in parte ed in modo alcuno, senza la previa autorizzazione espressa e per iscritto di GBC.

## D

Die Informationen in dieser Druckschrift werden als Richtlinien zur Verfügung gestellt und sind unseres Wissens richtig und vollständig. General Binding Corporation (GBC) lehnt jede Haftung für Fehler in dieser Druckschrift sowie für Schadenersatz oder Folgeschäden im Zusammenhang mit der Bereitstellung oder Verwendung der hierin enthaltenden Informationen ab, ein- aber nicht ausschließlich die Gewährleistung für Eignung und handelsübliche Qualität für einen bestimmten Zweck.

GBC behält sich das Recht vor, diese Druckschrift und die darin beschriebenen Produkte ohne Vorankündigung zu ändern. Alle die Produkte betreffenden Leistungsbeschreibungen und Informationen können jederzeit ohne Vorankündigung geändert werden.

Durch die Bezugnahmen in dieser Druckschrift auf urheberrechtlich oder durch ein Patent geschützte Informationen oder Produkte werden keine Rechte von GBC oder Dritten übertragen. GBC lehnt jede Haftung für Patentverletzungen sowie für die Verletzung anderer Rechte von Dritten ab.

Diese Druckschrift ist durch GBC urheberrechtlich geschützt (© 2003). Alle Rechte vorbehalten. Die Informationen in dieser Druckschrift sind gesetzlich geschützt und dürfen ohne vorherige und ausdrückliche schriftliche Genehmigung von GBC in keiner Weise weder ganz noch teilweise vervielfältigt, aufbewahrt, weiter verbreitet oder übertragen werden.

## NL

De informatie in deze publicatie geldt slechts ter verwijzing en wordt nauwkeurig en volledig geacht. General Binding Corporation (GBC) is niet aansprakelijk voor fouten in deze publicatie of voor incidentele of voortvloeiende schade in verband met het verschaffen of gebruik van de informatie in deze publicatie, inclusief, maar niet beperkt tot stilzwijgende garanties van geschiktheid voor een bepaald doel of verkoopbaarheid.

GBC behoudt zich het recht voor om zonder voorafgaande kennisgeving wijzigingen te maken in deze publicatie en in de producten die hierin worden beschreven. Alle specificaties en informatie m.b.t. producten kunnen zonder voorafgaande kennisgeving gewijzigd worden.

Verwijzingen in deze publicatie naar informatie of producten beschermd door copyrights of patenten houdt geen licenties onder de rechten van GBC of anderen in. GBC is niet aansprakelijk voor schendingen van patenten of andere rechten van derden.

De publicatie is auteursrechtelijk beschermd, copyright © 2003 door GBC. Alle rechten voorbehouden. De informatie in deze publicatie is eigendom van GBC en mag niet verveelvuldigd, opgeslagen, overgebracht of overgedragen worden, geheel of gedeeltelijk, in welke vorm dan ook zonder voorafgaande en uitdrukkelijke schriftelijke toestemming van GBC.

## F

L'information contenue dans cette publication est fournie à titre de référence et elle est considérée exacte et complète. General Binding Corporation (GBC) n'est pas responsable des erreurs contenues dans cette publication ni des dommages indirects ou consécutifs portant sur l'utilisation ou la présentation de l'information de ce document, y compris, mais sans s'y limiter, toute garantie implicite de commercialité ou d'adaptation à un usage particulier.

GBC se réserve le droit d'apporter des modifications à cette publication et aux produits qui y sont décrits sans préavis. Toutes les spécifications et l'information au sujet des produits sont sujettes à changements sans préavis.

Toute référence à l'information ou aux produits protégés par un droit d'auteur ou un brevet présentée dans ce document ne porte aucune licence sous les droits de GBC ou d'autres parties. GBC n'assume aucune responsabilité découlant de contraventions aux brevets ou à tout autre droit de tierces parties.

Cette publication est protégée par un droit d'auteur © 2003 de GBC. Tous droits réservés L'information contenue dans cette publication est privative et ne peut pas être reproduite, mise en mémoire, transmise ou transférée, en partie ou en entier, sous quelque forme que ce soit sans la permission écrite préalable et expresse de GBC.

## E

La información contenida en esta publicación es proporcionada a título de referencia y se considera que es precisa y completa. General Binding Corporation (GBC) no es responsable por errores contenidos en esta publicación o por daños consecuentes o incidentales relacionados con la disponibilidad o el uso de la información en esta publicación, incluyendo y sin limitarse a, cualquier garantía de aptitud y comerciabilidad para cualquier uso específico.

GBC se reserva el derecho de hacer cambios en esta publicación y a los productos descritos en la misma sin aviso previo. Todas las características y la información referente a los productos, están sujetas a cambios sin aviso previo.

Las referencias en esta publicación a información o productos protegidos por derechos de propiedad intelectual o por patentes no otorga ninguna licencia amparada por los derechos de GBC u otros. GBC no asume ninguna responsabilidad que se derive de la violación de patentes u otros derechos de terceras partes.

Copyright © 2003 Esta publicación está amparada por derechos de propiedad intelectual de GBC. Todos los derechos reservados. La información contenida en este documento es de propiedad exclusiva y no puede reproducirse, almacenarse, transmitirse o transferirse, en su totalidad o en partes, y de ninguna manera, sin la autorización previa y por escrito de GBC.

## TABLE OF CONTENT

Cover	1
Blank page	2
Disclaimer	3
Table of Content	4
Important Safety Instructions	8
Important Safeguards	10
General	10
Electrical	10
Service	10
Warranty	12
Specifications	14
Pre-Installation	16
Installation	18
Control Guide	20
Power ON/ OFF	20
Control Panel Display	20
Control Panel	20
Rewinder Selection Switch	24
Upper Rewinder Direction Switch	24
Lower Rewinder Direction Switch	24
Foot SW Enable	24
Features Guide	26
E-Stop	26
Safety Shield Interlock Latch	26
Safety Shield	26
Feed Table	26
Main Rollers	26
Idler Bar	26
Upper Unwind/ Rewind Shaft	28
Core Adaptor	28
Core Support	28
Upper Unwind/ Rewind Tension	28
Lower Unwind Tension	28
Lower Unwind Shaft	28
Lower Rewind Shaft Lock	28
Rewind Shaft	28
Rwind Tube	28
Rewind Adaptor	28
Rear Slitter	30
Film Web	30
Nip Point	30
Foot Switch	30
Print Unwind Basket	30
Options	30
Separator Bar	30
Rewind Kit	30

--	--	--

Operating Instructions	32
Film Loading and Threading	32
Load a Roll of Film	32
Loading Top Thermal Film	34
Loading Top PSA Film	34
Loading Mount Adhesive (Upper)	36
Loading Mount Adhesive (Lower)	36
Loading Lower PSA Film	38
Threading Card Procedure	38
Start Laminating	40
To Unweb The Laminator	42
Clearing A Film Jam	42
Applications	44
Pre-Coating Boards	44
Mounting Pre-Coated Boards	44
Single Sided Lamination	44
Creating a Decal	46
Mounting a Decal	46
PSA Encapsulation	46
Accushield™	48
Speed / Temperature Guide	50
Chart °F	50
Chart °C	50
The Art Of Lamination	52
Basic Rules	52
Film Tension	52
Heat	54
Output	54
Maintenance	56
Caring for the Talon 80	56
Troubleshooting Guide	58
Service Agreement	58

NL

F


E

--	--	--

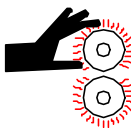
## IMPORTANT SAFETY INSTRUCTIONS

**YOUR SAFETY AS WELL AS THE SAFETY OF OTHERS IS IMPORTANT TO GBC. IN THIS INSTRUCTION MANUAL AND ON THE PRODUCT, YOU WILL FIND IMPORTANT SAFETY MESSAGES REGARDING THE PRODUCT. READ THESE MESSAGES CAREFULLY. READ ALL OF THE INSTRUCTIONS AND SAVE THESE INSTRUCTIONS FOR LATER USE.**

**⚠ THE SAFETY ALERT SYMBOL PRECEDES EACH SAFETY MESSAGE IN THIS INSTRUCTION MANUAL. THE SYMBOL INDICATES A POTENTIAL PERSONAL SAFETY HAZARD TO YOU OR OTHERS, AS WELL AS PRODUCT OR PROPERTY DAMAGE. THE FOLLOWING WARNINGS ARE FOUND UPON THIS PRODUCT.**

⚠ ADVERTENCIA	⚠ ATTENTION		⚠ WARNING
Riesgo de choque eléctrico. No abra. Adentro no hay piezas reparables por el usuario. Mantenimiento solamente por personal calificado.	Risque de secousse électrique. Ne pas ouvrir. Pas de pièces réparables par utilisateur. Entretien seulement par personnel qualifié.		Electrical shock hazard. Do not open. No user serviceable parts inside. Refer servicing to qualified service personnel.

**THIS SAFETY MESSAGE MEANS THAT YOU COULD BE SERIOUSLY HURT OR KILLED IF YOU OPEN THE PRODUCT AND EXPOSE YOURSELF TO HAZARDOUS VOLTAGE.**

⚠ ADVERTENCIA	⚠ ATTENTION		⚠ CAUTION
RODILLOS CALIENTES. PUNTO DE PINCHAMIENTO. Mantener manos y ropa a distancia.	ROULEAUX CHAUDS. POINT DE PINCEMENT. Tenir mains et vêtements à l'écart.		HOT ROLLS. PINCH POINT. Keep hands and clothing away.

**THIS SAFETY MESSAGE MEANS THAT YOU COULD BE BURNED AND YOUR FINGERS AND HANDS COULD BE TRAPPED AND CRUSHED IN THE HOT ROLLERS. CLOTHING, JEWELRY AND LONG HAIR COULD BE CAUGHT IN THE ROLLERS AND PULL YOU INTO THEM.**

⚠ ADVERTENCIA	⚠ ATTENTION		⚠ CAUTION
NAVAJA FILOSA. Mantener manos y dedos a distancia.	LAME COUPANTE. Tenir mains et doigts à l'écart.		SHARP BLADE. Keep hands and clothing away.

**THIS SAFETY MESSAGE MEANS THAT YOU COULD CUT YOURSELF IF YOU ARE NOT CAREFUL.**

**⚠ WARNING: THE SAFETY ALERT SYMBOL PRECEDES EACH SAFETY MESSAGE IN THIS INSTRUCTION MANUAL. THE SYMBOL INDICATES A POTENTIAL PERSONAL SAFETY HAZARD TO YOU OR OTHERS, AS WELL AS PRODUCT OR PROPERTY DAMAGE.**

**⚠ WARNING: DO NOT ATTEMPT TO SERVICE OR REPAIR THE TALON 80 LAMINATOR.**

**⚠ WARNING: DO NOT CONNECT THE LAMINATOR TO AN ELECTRICAL SUPPLY OR ATTEMPT TO OPERATE THE LAMINATOR UNTIL YOU HAVE COMPLETELY READ THESE INSTRUCTIONS. MAINTAIN THESE INSTRUCTIONS IN A CONVENIENT LOCATION FOR FUTURE REFERENCE.**



## IMPORTANT SAFEGUARDS



**WARNING: TO GUARD AGAINST INJURY, THE FOLLOWING SAFETY PRECAUTIONS MUST BE OBSERVED IN THE INSTALLATION AND USE OF THE LAMINATOR.**

### General

Keep hands, long hair, loose clothing, and articles such as necklaces or ties away from the front of the heat and pull rollers to avoid entanglement and entrapment.

The heat rollers can reach temperatures over 300° F. Avoid contact with the heat rollers during operation or shortly after power has been removed from the laminator.

Keep hands and fingers away from the path of the sharp film cutter blade located at the film exit.

Do not use the laminator for other than its intended purpose.

Avoid moving the laminator on uneven floor surfaces. Never tilt the laminator.

Do not defeat or remove electrical and mechanical safety equipment such as interlocks, shields and guards.

Do not insert objects unsuitable for lamination or expose the equipment to liquids.

### Electrical

The laminator should be connected only to a source of power as indicated in these instructions and on the serial plate located on the rear of the laminator.

Contact an electrician should the attachment plug provided with the laminator not match the receptacles at your location.



**CAUTION: The receptacle must be located near the equipment and easily accessible.**

Do not operate the laminator with a damaged power supply cord or attachment plug, upon occurrence of a malfunction, or after the laminator has been damaged. Contact GBC's Technical Service Department or your dealer/distributor for assistance.

### Service

Perform only the routine maintenance procedures referred to in these instructions.



**WARNING: Do not attempt to service or repair the laminator.**

Disconnect the plug from the receptacle and contact GBC's Technical Department or your dealer/distributor when one or more of the following has occurred.

- The power supply cord or attachment plug is damaged.
- Liquid has been spilled into the laminator.
- The laminator is malfunctioning after being mishandled.
- The laminator does not operate as described in these instructions.

## WARRANTY

GBC warrants the equipment to be free from defects in material and workmanship for a period of **90 days for parts and labor** from the date of installation. This warranty is the only warranty made by GBC and cannot be modified or amended.

GBC IPFG's sole and exclusive liability and the customer's sole and exclusive remedy under this warranty shall be, at GBC IPFG's option, to repair or replace any such defective part or product. These remedies are only available if GBC IPFG's examination of the product discloses to GBC IPFG's satisfaction that such defects actually exist and were not caused by misuse, neglect, attempt to repair, unauthorized alteration or modification, incorrect line voltage, fire, accident, flood or other hazard.

### Limited Warranty

This warranty specifically does not cover damage to the laminating rollers caused by knives, razor blades, other sharp objects, failure caused by adhesives or improper use of the machine. Warranty repair or replacement does not extend the warranty beyond the initial 90 day period from the date of installation.



**WARNING: Unauthorized customer alterations will void this warranty.**

**THE WARRANTY MADE HEREIN IS IN LIEU OF ALL OTHER WARRANTIES, EXPRESSED OR IMPLIED, INCLUDING ANY WARRANTY OF MERCHANTABILITY OR FITNESS FOR A PARTICULAR PURPOSE. GBC WILL NOT BE LIABLE FOR PROPERTY DAMAGE OR PERSONAL INJURY (UNLESS PRIMARILY CAUSED BY ITS NEGLIGENCE), LOSS OF PROFIT OR OTHER INCIDENTAL OR CONSEQUENTIAL DAMAGES ARISING OUT OF THE USE OR INABILITY TO USE THE EQUIPMENT.**

### Exclusions to the Warranty

This warranty specifically does not cover;

1. Damage to the laminating rollers caused by knives, razor blades, other sharp objects or failure caused by adhesives.
2. Damage to the machine caused by lifting, tilting and/or any attempt to position the machine other than rolling on the installed castors on even surfaces.
3. Improper use of the machine.
4. Damage due from unqualified person(s) servicing the machine.

**QUALIFIED:** Any person(s) trained by GBC to perform service related work on such equipment.

**For European Union Residents Only:** This guarantee does not affect the legal rights which consumers have under applicable national legislation governing the sale of consumer goods.

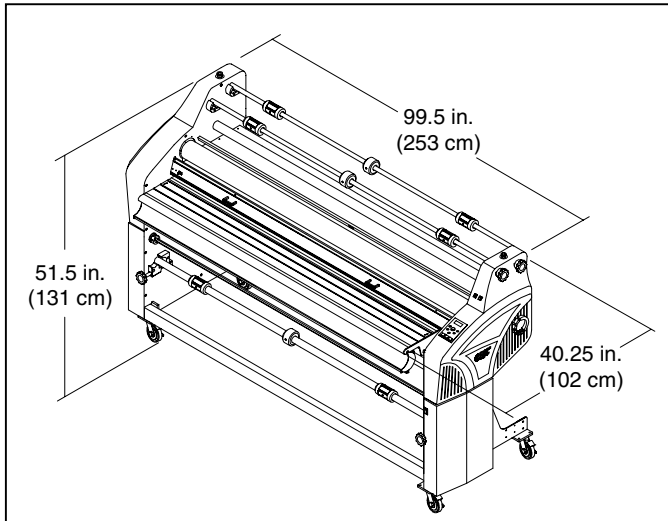


Fig. 1

## SPECIFICATIONS

**Operating Speed:**

Up to 10 fpm (3 mpm)

**Temperature range:**

32 °F - 140 °F (0 °C - 60 °C)

**Max. Mounting Thickness:**

1 in. (2.54 cm)

**Max. Film Width:**

80 in. (203 cm)

**Dimensions (W x D x H):****Unit alone: (Figure 1)**

99.5 in. x 40.25 in. x 51.5 in.

(253 cm x 102 cm x 131 cm)

**Shipping:**

102 in. x 43 in. x 62.5 in.

(259 cm x 109 cm x 159 cm)

**Weight:****Unit alone:** 1232 lb. (559 kg.)**Shipping:** 1496 lb. (679 kg.)**Electrical Requirements:**

Refer to the serial plate located on the rear of the laminator for the specific electrical rating applicable to the unit.

**Voltage:** 220V~60 Hz**Current:** 11.3A**Power:** 2500 W**Phase:** Single

**FCC NOTE:** This equipment has been tested and found to comply with the limits for a Class A digital device, pursuant to part 15 of the FCC Rules. These limits are designed to provide reasonable protection against harmful interference when the equipment is operated in a commercial environment. This equipment generates, uses, and can radiate radio frequency energy and, if not installed and used in accordance with the instruction manual, may cause harmful interference to radio communications. Operation of this equipment in a residential area is likely to cause harmful interference in which case the user will be required to correct the interference at his/ her own expense.

Changes or modifications not expressly approved by General Binding Corporation could void the users authority to operate the equipment.

This Class A digital apparatus complies with Canadian ICES-003. (Cet appareil numérique de las Classe A est conforme a la norme NMB-003 du Canada)

## PRE-INSTALLATION

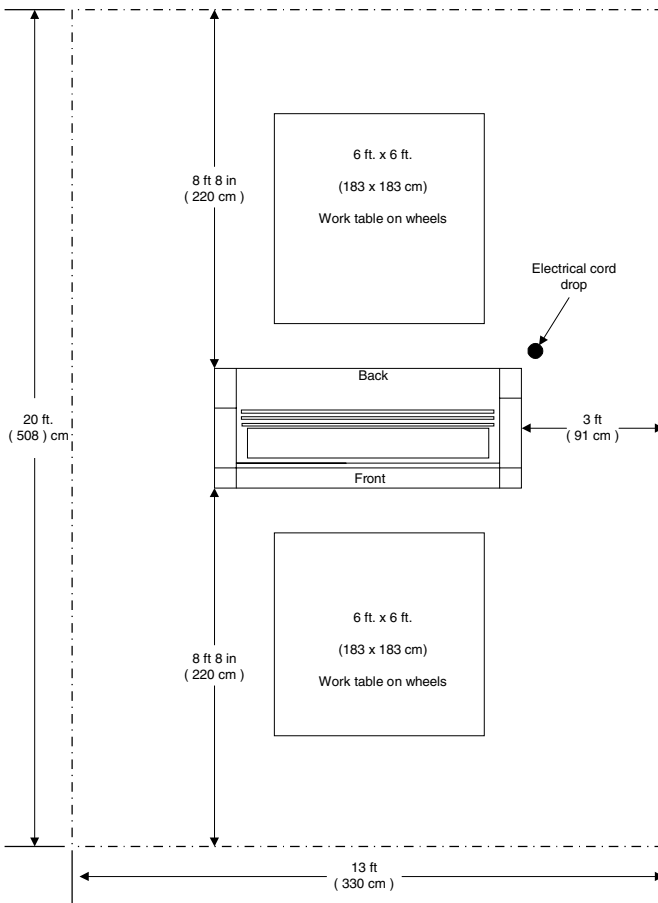


Fig. 2

Before a Talon 80 Laminator can be installed, ensure the following requirements are met;

1. Are door ways and hallways wide enough for the laminator to be moved to the installation site?
2. Is there ample room for the laminator?
  - A work area must be established that allows for operation in both the front and rear of the laminator and provides space for efficient material flow. (Figure 2)
3. Is the environment appropriate for the laminator?
  - The laminator requires a clean, dust and vapor free environment to operate properly.
  - Avoid locating the laminator near sources of heat or cold. Avoid locating the laminator in the direct path of forced, heated or cooled air.

**⚠ Air flow can cause uneven heating/ cooling of the rollers and result in poor output quality.**

4. Have you contacted a certified electrician to wire the receptacle and ensure that adequate power is being supplied, having the appropriate capacity, over current protection and safety lockouts available?

**Talon 80 requires:**

- 220V at 60hz with 11.3 amp service.

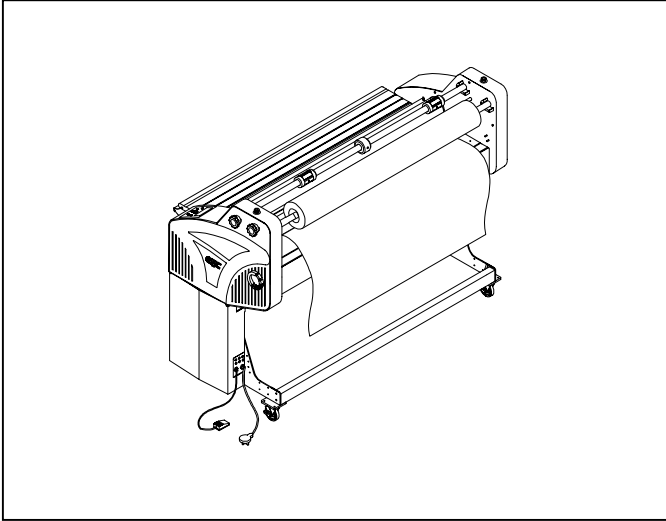


Fig. 3

## INSTALLATION

1. **Shipping damage should be brought to the immediate attention of the delivering carrier.**
2. With assistance, carefully roll the laminator into position over flat and even surfaces.
3. The laminator should be positioned to allow exiting film to flow freely to the floor or a work table (Figure 3). Accumulation of laminate immediately behind the laminator as it exits the equipment may cause the film to wrap around the pull rollers, resulting in a "jammed" condition.
4. Avoid locating the laminator near sources of heat or cold. Avoid locating the laminator in the direct path of forced, heated or cooled air.
5. Once the laminator has been properly positioned, lock the castors in place. Locking the castors prevent the machine from rolling during set up, operation or servicing.
6. The heaters must be installed by a GBC qualified service technician. Refer to your Warranty section for explanation of "Qualified".
7. Connect the attachment plug provided with the laminator to a suitably grounded outlet. **Avoid connecting other equipment to the same branch circuit to which the laminator is connected, as this may result in nuisance tripping of circuit breakers or blowing fuses.**

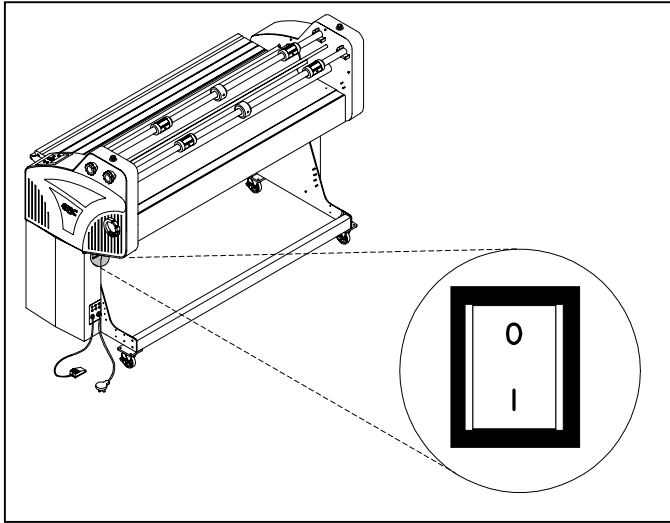


Fig. 4

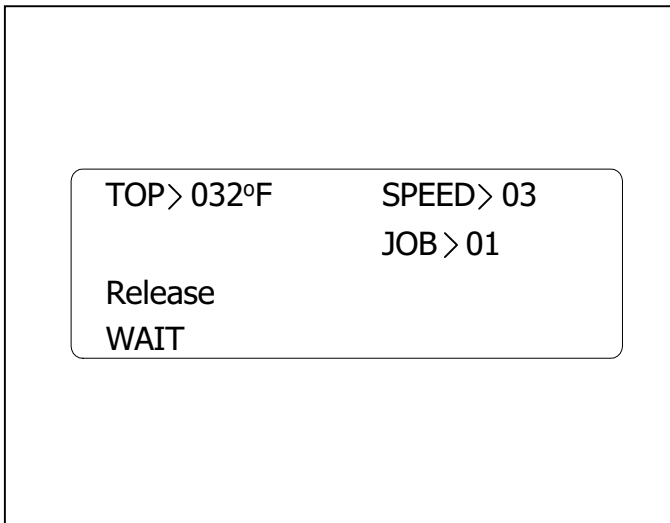


Fig. 5

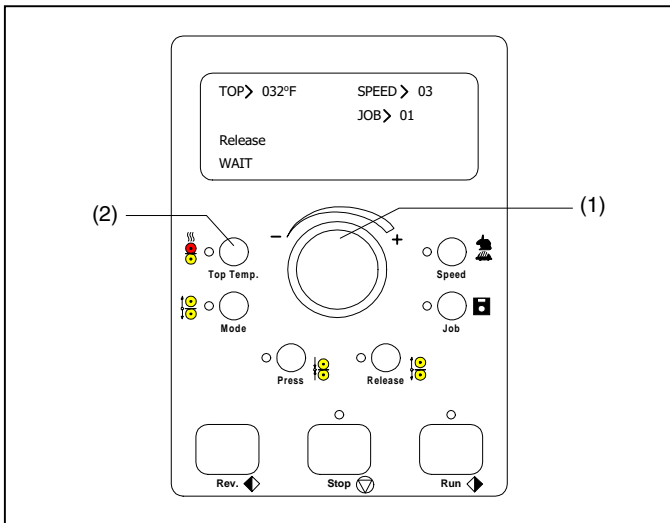


Fig.6

**CONTROL GUIDE**

**A. POWER ON/ OFF:** (Figure 4)  
 Located at the back left of the machine applies power to the laminator. The control panel display will illuminate when position marked "I" is pushed. The off position, marked "O", removes power from the laminator.

**B. CONTROL PANEL DISPLAY:**  
 (Figure 5) Illuminates when the laminator is plugged in and **POWER ON/ OFF** is in the on, (I), position. Displays settings for top heater, bottom heater, speed, Job, mode and ready/wait/ positioning indicator.

**ROLLER POSITION INDICATOR:**  
 Displays the current main roller position. In figure 6, the roller is shown in the "Release" position. Refer to Roller Handle for more information.

**READY/ WAIT INDICATOR:**  
 "READY" appears when actual temperature is equal to (+/- 5) set temperature. "WAIT" appears when actual temperature is lower than the set temperature. "WAIT" appears when actual temperature is higher than the set temperature.

**POSITIONING INDICATOR:**  
 "Positioning..." appears in place of the ready/ wait indicator any time the main rollers are traveling in an upward or downward motion.

**C. CONTROL PANEL:** (Figure 6)

(1) **MASTER DIAL** : Increases (+) or decreases (-) the numeric value for the selected setting when turned. Press and hold the dial to display actual temperature of top main roller.

(2) **Top Temp.** : When pressed, permits increasing or decreasing of the top temperature by turning the **MASTER DIAL** and value is indicated on the control panel display. Range is 32°F - 140°F (0°C - 60°C).

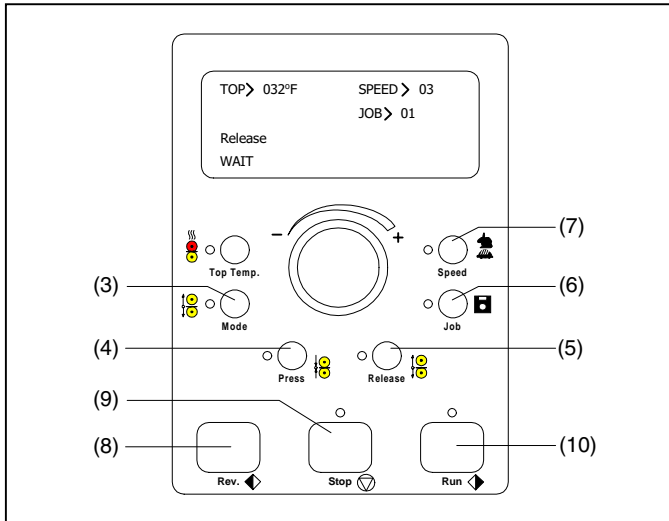

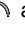




Fig.7


For items (3) through (10), refer to Figure 7.

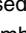
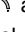
(3) **MODE**  : When pressed, permits selecting a gap or pressure setting of the main rollers by turning the **MASTER DIAL**  and is indicated on the control panel display.


Available modes are;



- Release
- 1" Mounting
- 3/4" Mounting
- 1/2" Mounting
- 3/8" Mounting
- 3/16" Mounting
- 1/8" Mounting
- Low-Prs Laminating
- Mid-Prs Laminating
- High-Prs Laminating


(4) **PRESS**  : When pressed, lowers the upper main roller to correspond with the **MODE**  setting.


(5) **RELEASE**  : When pressed, raises the upper main roller.


(6) **JOB**  : When pressed, permits scrolling of job numbers by turning the **MASTER DIAL**  and is indicated on the control panel display. Range is 1 - 10.

To store parameters for a particular job number, select the desired job number location, enter the upper and lower temperatures and speed, then press **JOB** .

(7) **SPEED**  : When pressed, permits increasing or decreasing of speed by turning the **MASTER DIAL**  and is indicated on the control panel display. Range is 1 - 10.

(8) **REV**  : When pressed and held, reverses roller movement to clear film jams and wrap-ups.

(9) **STOP**  : Stops the movement of the rollers.

(10) **RUN**  : When pressed, activates rollers for normal operation.

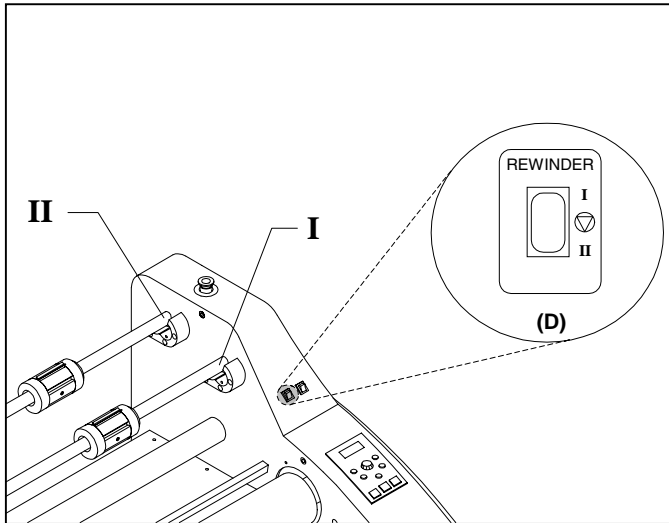


Fig. 8

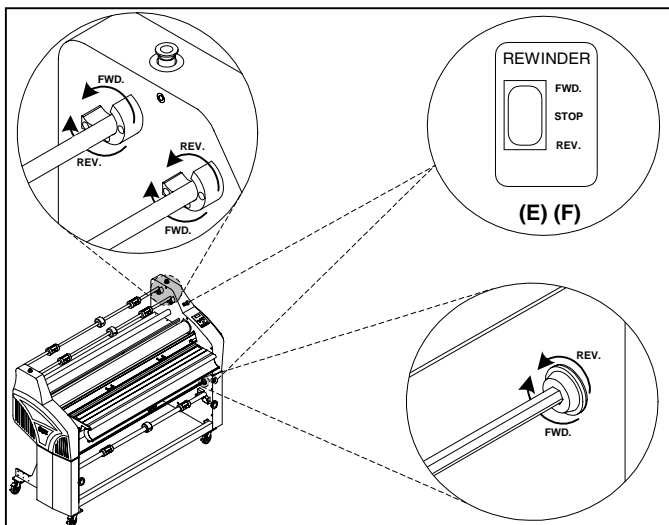


Fig. 9

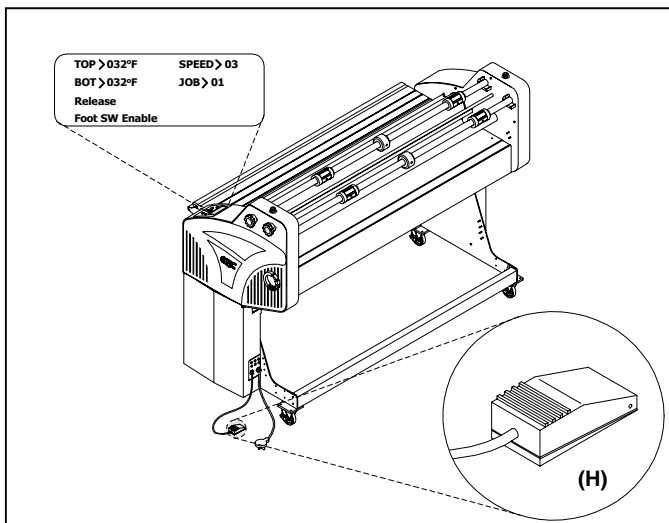


Fig. 10

**D. REWINDER SELECTION**

**SWITCH:** (Figure 8) This switch enables the operator to control the function of the upper rewind/unwind shafts.

**I :** In this position, turns the power on to the upper front rewind/unwind shaft.

⊖ : In this position, neither the upper front or upper rear rewind/unwind shaft is selected for motor power.

**II :** In this position, turns the power on to the upper rear rewind/unwind shaft.

**E. UPPER REWINDER DIRECTION**

**SWITCH:** (Figure 9) This switch enables the operator to control the direction of the upper rewind/unwind shafts.

**“FWD.” :** In this position, the motor runs in a forward direction.

**“STOP” :** Stops the rewinder motor for the rewind/unwind shaft selected.

**“REV.” :** In this position, the motor runs in a reverse direction.

**F. LOWER REWINDER DIRECTION**

**SWITCH:** (Figure 9) This switch enables the operator to control the direction of the Lower rewind/unwind shaft.

**“FWD.” :** In this position, the motor runs in a forward direction.

**“STOP” :** Stops the rewinder motor for the rewind/unwind shaft selected.

**“REV.” :** In this position, the motor runs in a reverse direction.

**G. FOOT SW ENABLE:** (Figure 10)

In this mode permits operation using the footswitch.

To enable the foot switch, press and hold **STOP** ⊖ until you hear a beep, approximately 3 seconds.

**FOOT SW ENABLE** flashes where **READY/WAIT** is indicated.

Press and hold **STOP** ⊖ again to disable the foot switch.



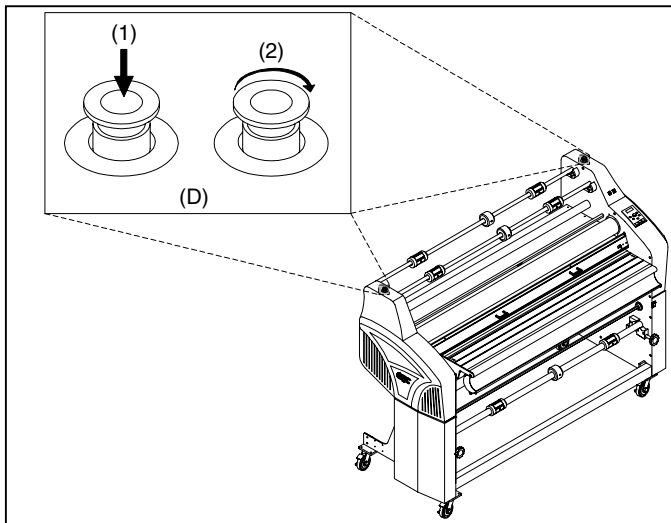


Fig. 11

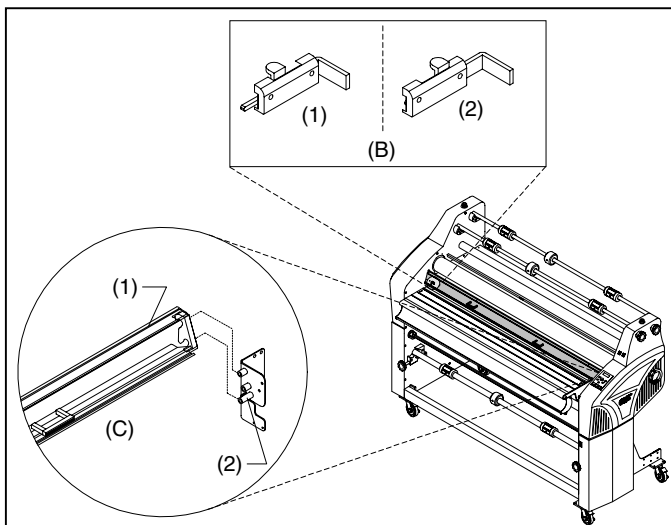


Fig. 14

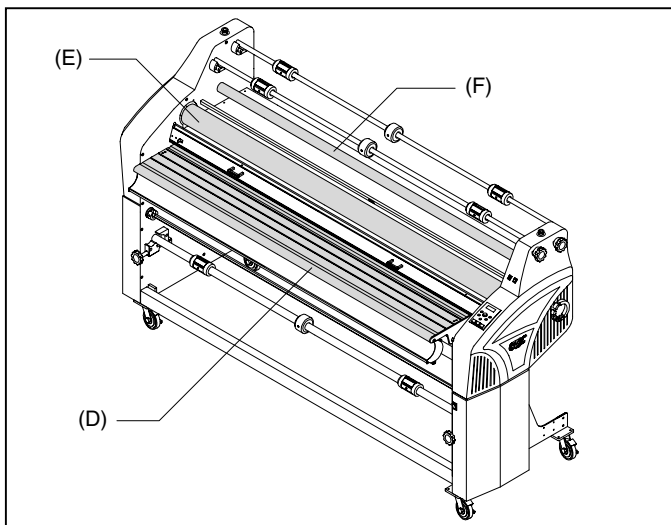


Fig. 15

## FEATURES GUIDE

**A. E-STOP:** (Figure 11) Two E-STOP buttons exist on the laminator. One on each side of the upper cabinet.

To engage (1), press either push button, roller movement is stopped.

To dis-engage (2), turn the push button clockwise once the emergency condition has been resolved.

**B. SAFETY SHIELD INTERLOCK LATCH:** (Figure 14) Used to lock the safety shield into position and activate an interlock switch. The interlock latch is located on the left side of the safety shield. When pushed to the full left (1), the safety shield is locked. When pushed to the full right (2), the safety shield is unlocked.

**C. SAFETY SHIELD:** (Figure 14) Prevents entanglement, entrapment and inadvertent contact with the heat rollers. **The laminator will operate only when the Safety Shield is located in the fully locked position.**

To remove the safety shield, unlock the safety shield interlock latch and lift the the safety shield (1) up and away from the safety shield mounting pins (2).

**D. FEED TABLE:** (Figure 15) The Feed Table is used to position items for lamination. **The laminator will operate only when the Feed Table and Feed Table Latch are properly installed.**

**E. MAIN ROLLERS:** (Figure 15) Silicone rubber coated steel tubes compress the film to the items being laminated. The upper main roller can be heated. Heat is provided by an internal heating element. The main rollers are motor driven for ease of loading new film.

**F. IDLER BAR:** (Figure 15) The idler bars, located near each heat roller, are used to direct the film to the heat roller nip.

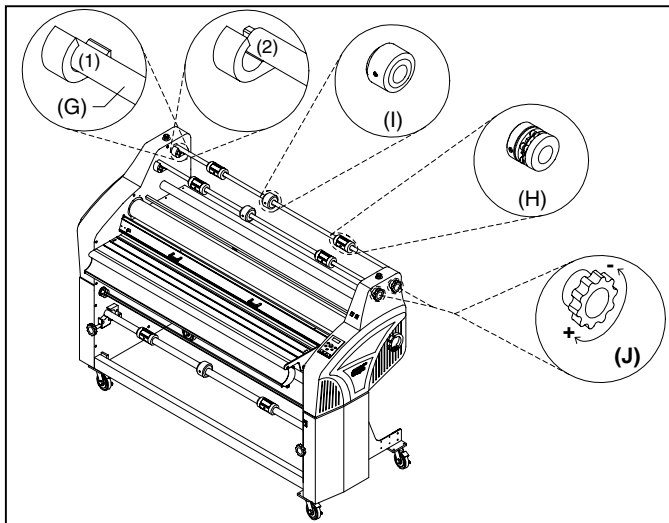


Fig. 16

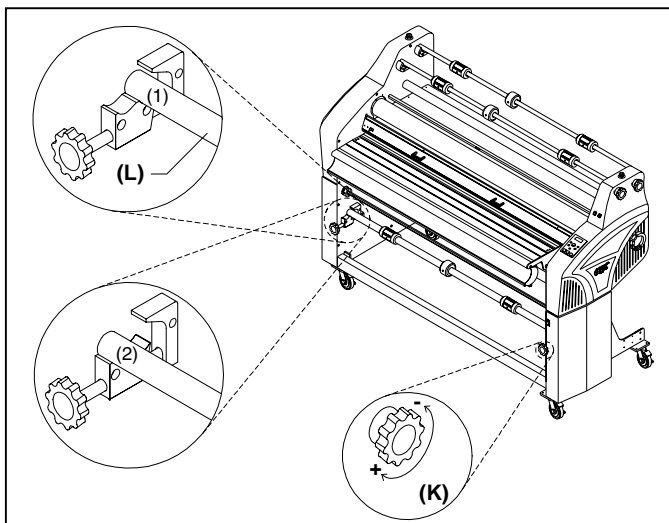


Fig. 17

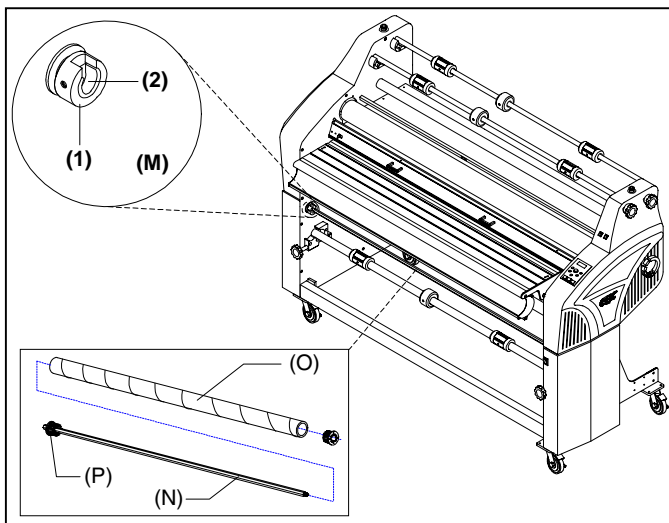


Fig. 18

**G. UPPER UNWIND/REWIND SHAFT:**

(Figure 16) The upper unwind/rewind shaft holds the upper film supply or rewind tube on the machine.

To remove the upper unwind/rewind shaft, slide the shaft from the web position (1) on the shaft stopper to the load position (2) and carefully lift up and out.

**H. CORE ADAPTORS:**

(Figure 16) Hold and lock the rolls of film on the shafts to prevent side to side shifting.

**I. CORE SUPPORT:**

(Figure 16) Supports the center of the film core.

**J. UPPER UNWIND/REWIND**

**TENSION KNOBS:** (Figure 16) Used to apply brake tension to the upper unwind/rewind shafts. Turning the knob clockwise increases tension and counterclockwise decreases brake tension.

**K. LOWER UNWIND TENSION**

**KNOBS:** (Figure 17) Left and right adjustable brake tensions. Applies brake tension to the lower unwind shaft. Turning the knob clockwise increases tension and counterclockwise decreases brake tension.

**L. LOWER UNWIND SHAFT:**

(Figure 17) The lower unwind shaft holds the lower film supply on the machine.

To remove the lower unwind shaft, slide the lower unwind shaft from the web position (1) on the brake base to the load position (2) and carefully lift up and out.

**M. LOWER REWIND SHAFT LOCK:**

(Figure 18) Secures the left side of the lower rewind shaft. To remove a shaft, turn the outer dial (1) opening so it aligns with the inner u-channel (2) opening and lift up end up and pulling the hex end out.

**N. REWIND SHAFT:** (Figure 18) The rewind shaft holds the rewind tube on the machine.

**O. REWIND TUBE:** (Figure 18) The two rewind tubes located at the front of the machine are used to rewind release liners. The one located at the rear of the machine is used to rewind the finished product.

**P. REWIND ADAPTORS:** (Figure 18) Hold and lock the rewind tube on the rewind shafts to prevent side to side shifting.

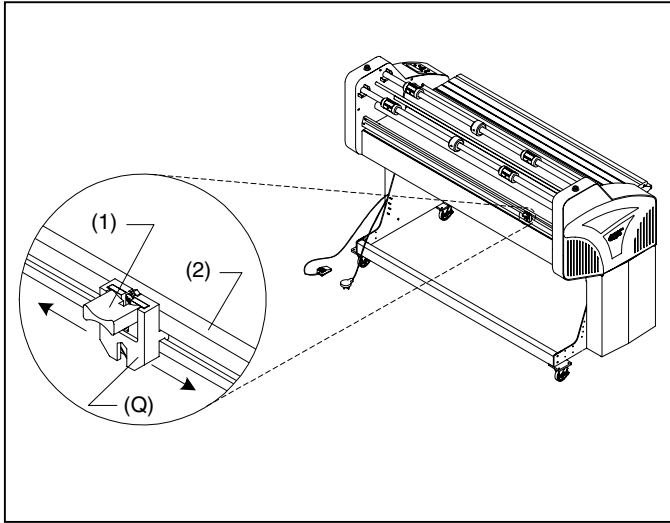


Fig. 19

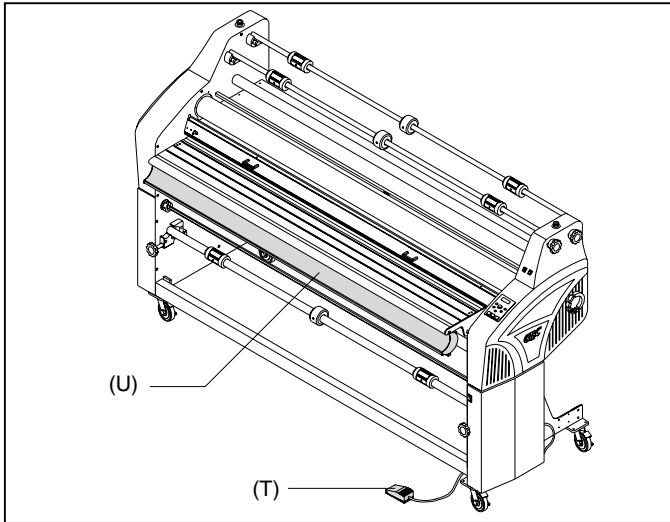


Fig. 20

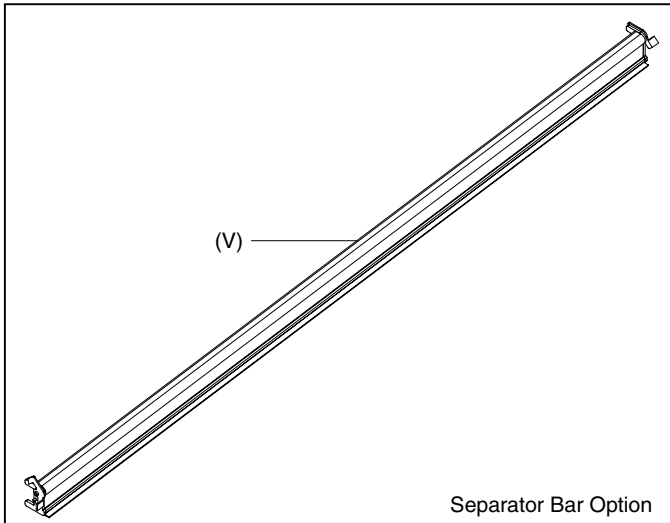


Fig. 21

**Q. REAR SLITTER:** (Figure 19) Used to cut the film web where it exits the rear of the laminator.

To make a cut, push down on the blade engage lever and slide to the opposite side.

**R. FILM WEB:** Laminating film loaded into the machine.

**S. NIP POINT:** The point at which the top and bottom rollers come into contact. The Nip Point of the heat rollers is the place at which the items for lamination are introduced into the laminator.

**T. FOOTSWITCH:** (Figure 20) Used to assist in webbing of the machine and initial feeding of material.

**U. PRINT UNWIND BASKET:** (Figure 20) Holds a rolled image. Prevents the image from touching the floor.

**V. SEPARATOR BAR OPTION:** (Figure 21) Required if running Accushield® material.

**(Talon 80 Part # 2020578)**

To install, replace the rear slitter with the separator bar.

**W. REWIND KIT OPTION:** Enables roll to roll webbing of material. This kit must be installed by a qualified GBC service representative.

**(Talon 80 Part # 1715824)**

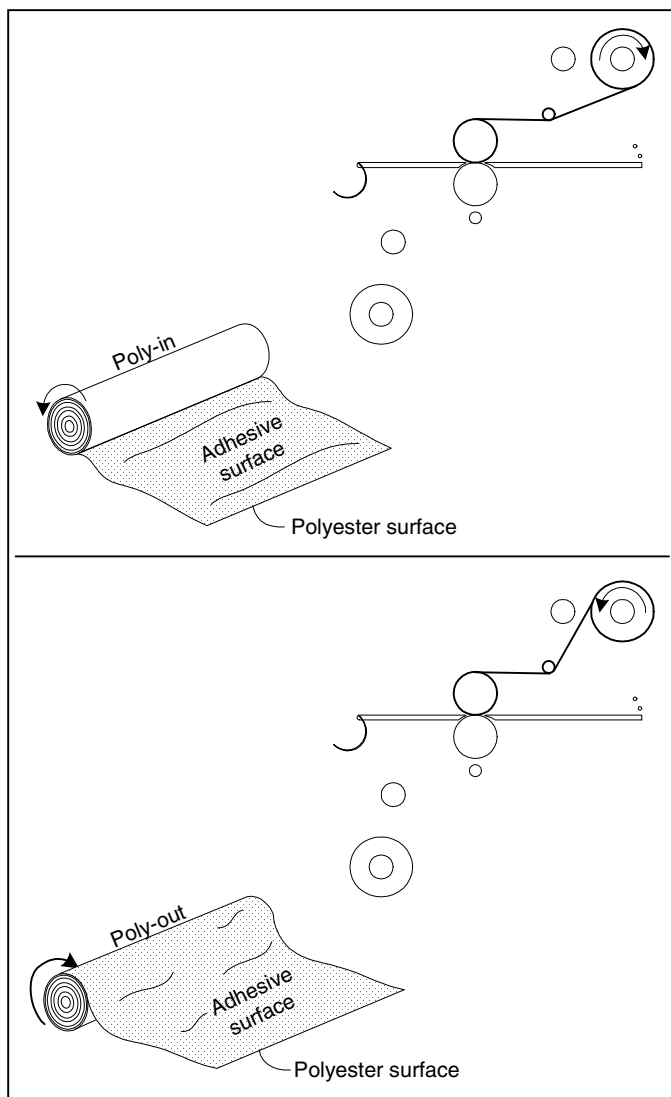


Fig. 20

## OPERATING INSTRUCTIONS

## FILM LOADING &amp; THREADING

The top and bottom rolls of laminating film must be of the same width and be present simultaneously. A small amount of adhesive will “squeeze out” during lamination. Hardened adhesive deposits can damage the heat rollers. To avoid any damage, select “Low-Prs Laminating” on the roller handle, rotate the rollers at slowest speed with the top heat on. Refer to the section entitled **CARING FOR THE TALON 80 LAMINATOR** for instructions regarding removal of the accumulated adhesive.

Adhesive will deposit on the rollers if:

- Only one roll is used.
- Different widths of rolls are loaded together.
- Either roll is loaded adhesive side against a heat roller.
- One or both rolls of film are allowed to run completely off its core.

The adhesive side of the film is on the inner side of the web (Figure 20). The shiny side of clear film must contact the heat rollers. The dull side of the film contains the adhesive. Use extreme caution when loading delustered (matte) film as both sides appear dull.

Always change the top and bottom supply rolls at the same time. Near the end of each roll of GBC laminating film is a label stating “Warning-End of Roll”. The appearance of this label on either the top or bottom roll requires that new rolls of film be installed as soon as the item presently being laminated completely exits the rear of the laminator. Do not introduce any additional items into the laminator when the warning label is visible.

**To load a roll of film;**

1. Pull the film shaft to the load position.
2. Lift the film shaft up and out.
3. Slide the roll of film onto the film shaft ensuring adhesive side is out.
4. Replace the film shaft.
5. Center the roll of film. The upper film should align with the lower film.

Fig. 21

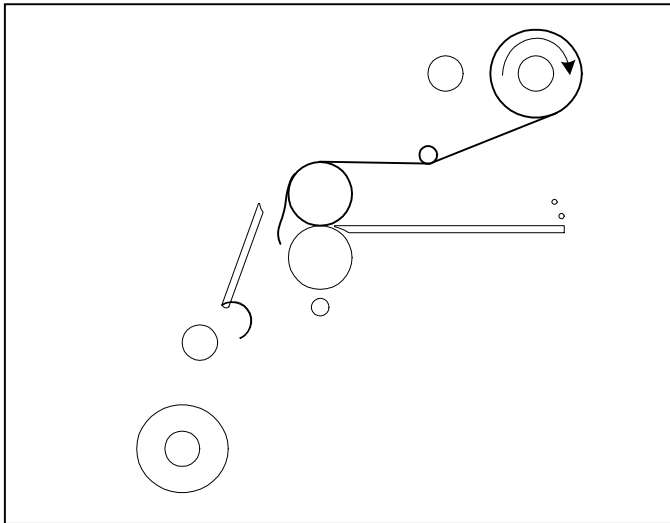


Fig. 21

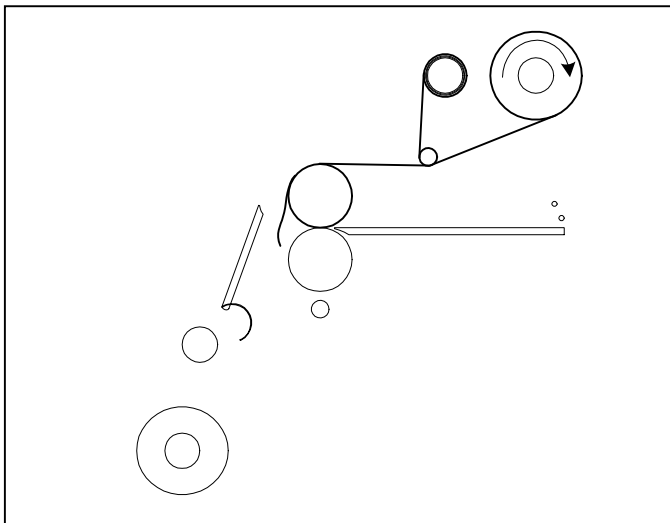


Fig. 22

#### LOADING TOP THERMAL FILM

This procedure describes how to load the upper roll of film onto the laminator. Figure 21 uses poly-in film and the upper rear unwind/rewind position for illustration purpose.

1. Turn the **Power ON/OFF** to on (I). Set top heat temperature for the film type you are using.
2. Ensure no brake tension is applied to the film shaft.
3. Remove the safety shield and pivot the feed table down.
4. Pull the top roll of film down under the idler bar and allow to drape over the top heat roller (Figure 21).
5. Reference one of the loading bottom material procedures.

#### LOADING TOP PSA FILM

This procedure describes how to load the upper roll of film onto the laminator. Figure 22 uses PSA film and the upper rear unwind/rewind position for illustration purpose.

1. Turn the **Power ON/OFF** to on (I). If the laminator is already hot, turn **POWER ON/OFF** to the off (O) position and allow the unit to cool. Once cool, turn the laminator back on.
2. Ensure no brake tension is applied to the film shaft.
3. Remove the safety shield and pivot the feed table down.
4. Set the roll of film in the rear unwind/rewind position and the rewind tube in the front unwind/rewind position.
5. Pull the top roll of film down under the idler bar and up the upper front rewind tube.
6. Place one piece of masking tape in the center of the film and secure to the rewind tube.
7. Make two full wraps around the rewind tube, then carefully score the laminate without cutting the release liner.
8. Pull the laminate down allowing it to drape over the upper main roller.
9. Reference one of the loading bottom material procedures.

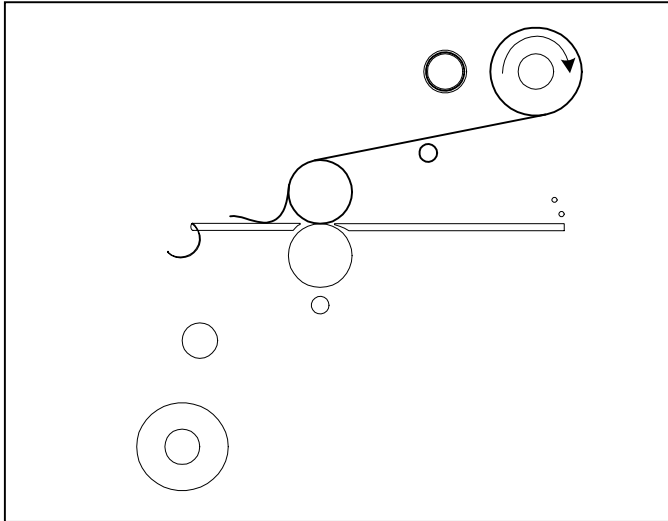


Fig. 23

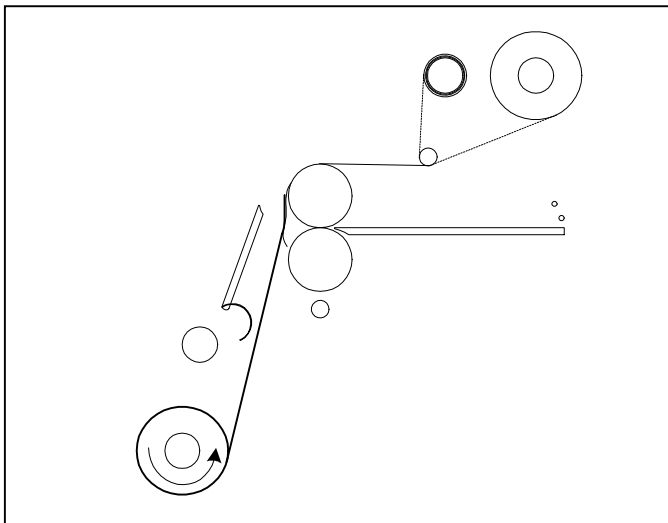


Fig. 24

#### LOADING MOUNT ADHESIVE (UPPER)

This procedure describes how to load a roll of mount adhesive using the upper position for pre-coating (Figure 23).

1. Turn the **Power ON/OFF** to on (I). If the laminator is already hot, turn **POWER ON/OFF** to the off (O) position and allow the unit to cool. Once cool, turn the laminator back on.
2. Ensure no brake tension is applied to the film shaft.
3. Remove the safety shield.
4. Set the roll of mount adhesive in the upper rear unwind/rewind position.
5. Pull the mount adhesive over the upper idler and upper main roller allowing the material to rest on the top of the feed table.
6. Reference **THREADING CARD PROCEDURE** next.

#### LOADING MOUNT ADHESIVE (LOWER)

This procedure describes how to load a roll of mount adhesive using the lower unwind position for decaling (Figure 24).

1. At this point you should have an upper roll of film loaded onto the laminator.
2. Ensure no brake tension is applied to the film shaft.
3. Adhere the mount adhesive to the loaded upper roll of film by pulling the mount adhesive straight up towards the main rollers. Do not web around the lower idler.

**NOTE:** You may follow this procedure to load a roll of Kraft Paper for single side lamination.

4. Reference **THREADING CARD PROCEDURE** next.

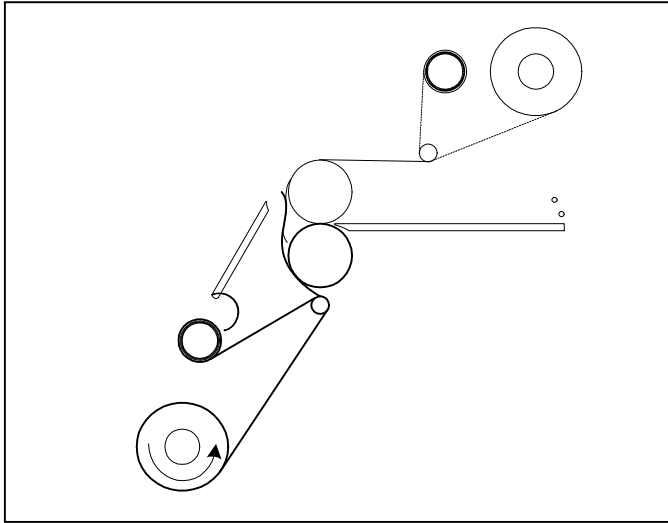


Fig. 25

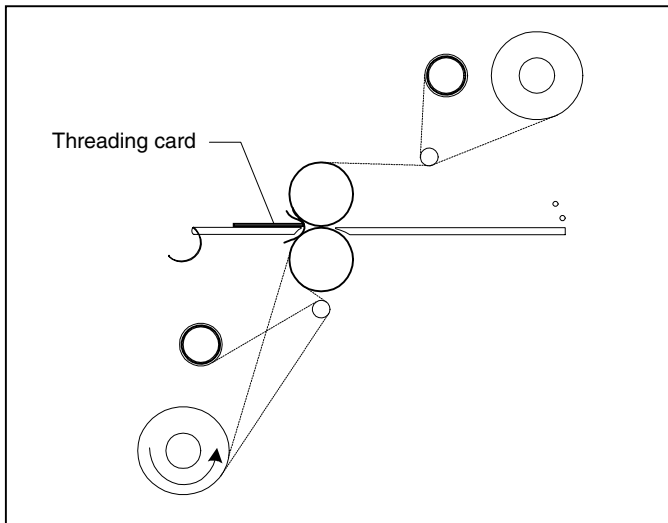


Fig. 26





#### LOADING LOWER PSA FILM

This procedure describes how to load a roll of PSA film using the lower unwind position (Figure 25).

1. At this point you should have an upper roll of film loaded onto the laminator and a rewind tube on the lower rewind shaft.
2. Ensure no brake tension is applied to the film shaft.
3. Pull the lower roll of film around the lower idler bar and towards the lower rewind.
4. Place one piece of masking tape in the center of the film and secure to the rewind tube.
5. Make two full wraps around the rewind tube, then carefully score the laminate without cutting the release liner.
6. Adhere the lower PSA film to the loaded upper roll of film by pulling the film straight up towards the main rollers.
7. Reference **THREADING CARD PROCEDURE** next.

#### THREADING CARD PROCEDURE

This procedure describes how feed two loaded films through the main rollers (Figure 26).

1. At this point you should have an upper roll of film and lower roller roll of film loaded onto the laminator.
2. The table and safety shield should be properly installed.
3. Push the threading card into the main roller nip. The threading card becomes sandwiched between the upper and lower loaded films.
4. Set a **MODE** , press the **RUN**  button.
5. Once the threading card has cleared the main roller nip, press the **STOP**  button.
6. Use the rear slitter to cut the threading card from the web.
7. If you are not running the laminator, set the **MODE**  to the "RELEASE" setting.
8. Now refer to the section entitled **START LAMINATING**.

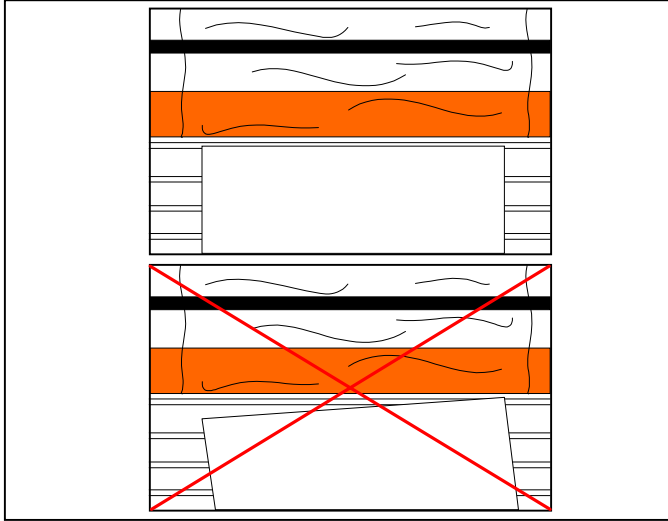


Fig. 27

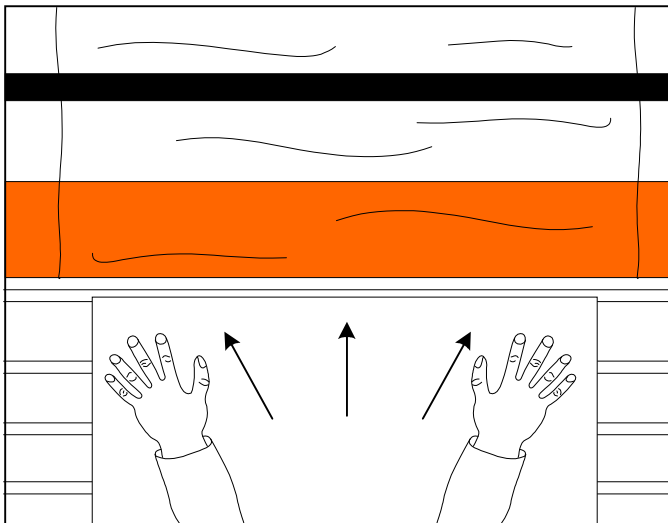









Fig. 28

**START LAMINATING**

1. At this point you should have your laminator webbed with the appropriate material for your application.
2. The safety shield and feed table should be in the normal operating position.
3. Select a **JOB**  and ensure the proper speed and temperatures are set. Refer to the section entitled **SPEED/TEMPERATURE GUIDE**.
4. Select a **MODE** .
5. Press the **RELEASE**  button. The main rollers gap.
6. Press the **RUN** () button.
7. Press the **PRESS**  button. The main rollers close.
8. Make any necessary film brake tension and/ or rewind brake tension adjustments to achieve desired output quality.
9. Position the item to be laminated on the feed table.
10. Align the leading edge of the item square to the heat roller nip (Figure 27).
11. With both hands and an outward force push the image slower than the speed of the rollers into the nip of the heat rollers (Figure 28).
12. Once the last item to be laminated has exited the laminator, press the **STOP**  button.
13. Set **MODE**  to the "RELEASE" setting.

**CAUTION:** Avoid forcing the image into the heat roller nip.



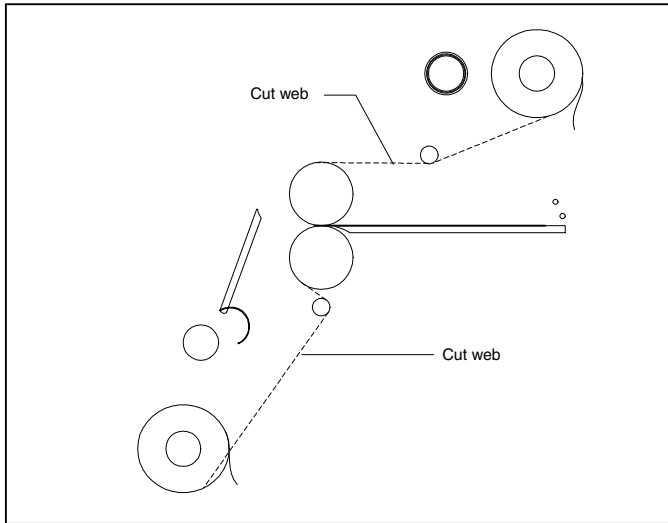


Fig. 29

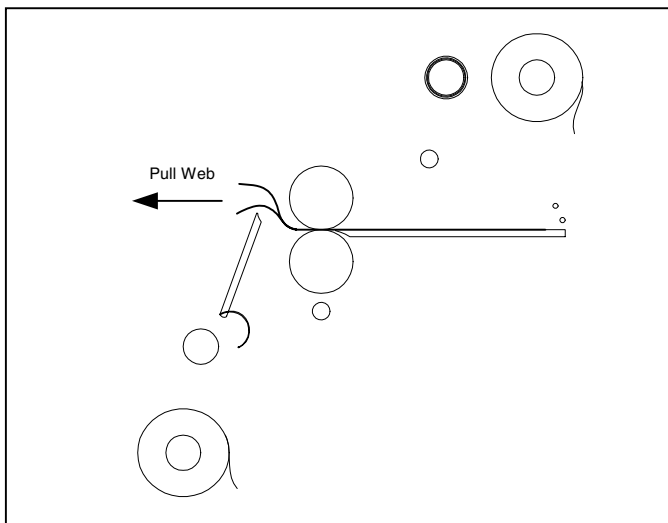


Fig. 30

### TO UNWEB THE LAMINATOR

Unweb the laminator if you are changing film widths, cleaning the rollers or have finished using the machine for the day.

1. Using the rear slitter, cut the output from the web.
2. Set **MODE** (⏸) to the **"RELEASE"** setting.
3. Remove the safety shield and tilt the feed table.
4. Cut the remaining top and bottom film webs between the supply rolls and the heat rollers (Figure 29). **Be careful not to cut any of the rollers!**
5. Carefully grab hold of the web (top and bottom film), from the front operating position and pull towards you (Figure 30).
6. Do not allow the adhesive side of the film to contact the heat or pull rollers.
7. Refer to the section entitled **CARING FOR THE TALON 80 LAMINATOR** for instructions regarding removal of the accumulated adhesive.

### CLEARING A FILM JAM (Wrap-up)

Film jams (wrap-ups) may occur if the film is loaded backwards or if the area at which film exits the equipment is blocked. The film, when jammed, wraps around the heat rollers during webbing if a threading card is not used or pull rollers during operation.

#### To clear a jam:

1. Immediately stop the laminator by pressing **STOP** (⏹).
2. Remove the safety shield and tilt the feed table.
3. Press and hold **REVERSE** (⏮) until the jam has cleared the main rollers.
4. Press the **RELEASE** (⏸) button. The main rollers gap.
5. Manually assist the material through the main rollers.
6. Once the jam has been cleared, press the **PRESS** (⏵) button. The main rollers close.
7. You can now resume laminating.

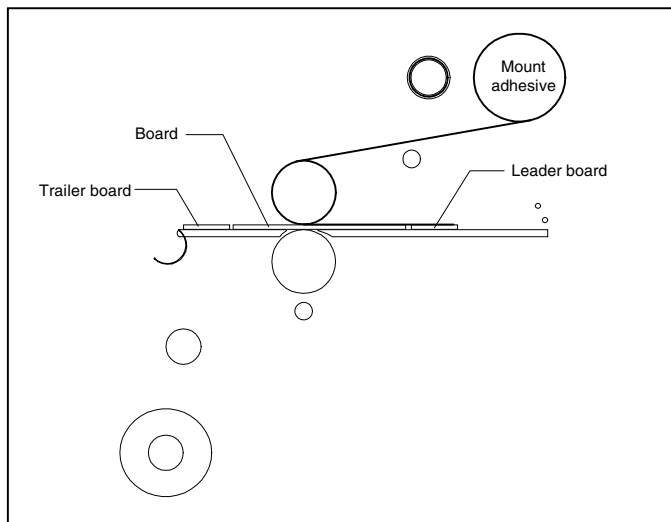


Fig. 31

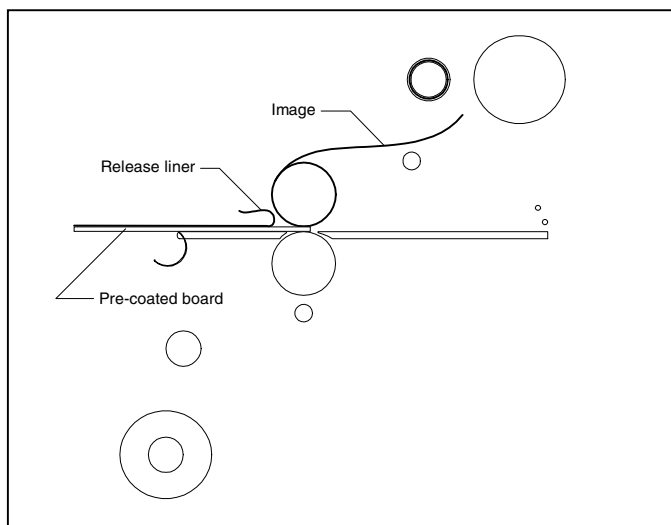


Fig. 32

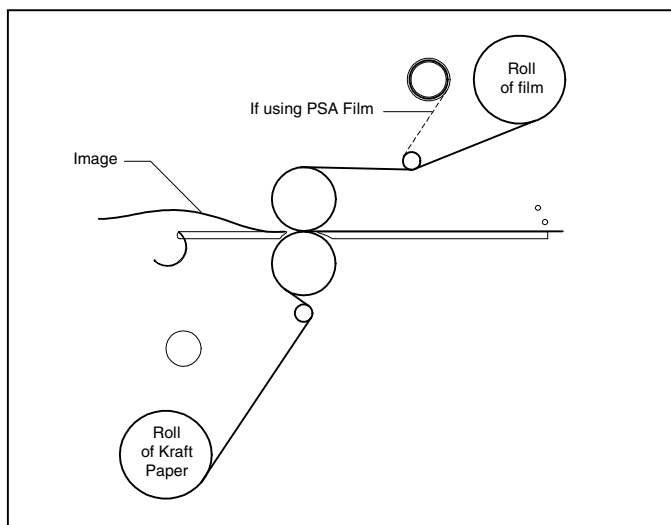



Fig. 33

## APPLICATIONS

**TIPS FOR PRE-COATING BOARDS (Figure 31)**

1. Load the laminator as illustrated in Figure 31.
3. Set the **MODE**  to the correct thickness.
4. The width of the roll should not exceed the width of the board by more than 1/2 in. (1.3 cm).
5. Use a leader board to start the run and a trailer board to finish the run.
6. Do not stop the run in the middle of a board.
7. Have the boards nearby to butt end to end during feeding.

**TIPS FOR MOUNTING PRE-COATED BOARDS (Figure 32)**

1. Load the laminator as illustrated in Figure 32.
2. Heat, 125 °F (52 °C), may assist the process and increase output quality.
3. Ensure the image is contoured to the main roller width to prevent scewing.
4. For large mountings, have a second person assist.
3. Do not stop once you have started the mounting process through the machine.

**TIPS FOR SINGLE SIDED LAMINATION (Figure 33)**

1. Load the laminator as illustrated in Figure 33.
2. Use kraft paper for one-sided lamination whenever the items to be laminated are narrower than the film you are using.
3. If not using kraft paper, use a scrap piece to finish the run or you will have adhesive on your rollers.
4. Running the web over the chill idler may improve the flatness of the output.
5. A little heat, 125 °F (52 °C), may help eliminate silvering effects associated with PSA films.

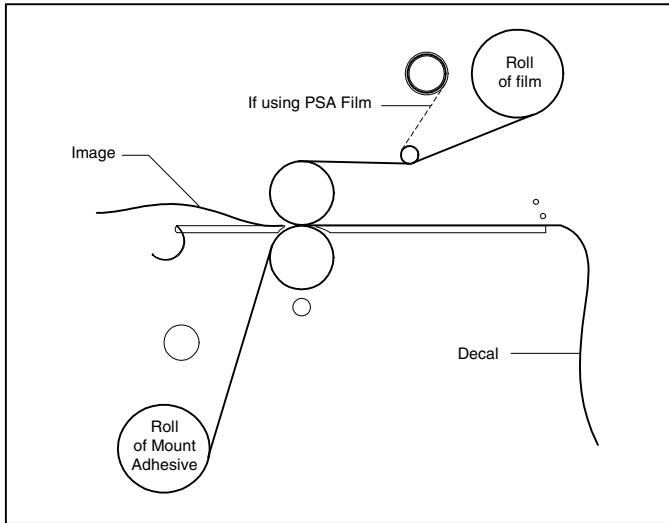


Fig. 34

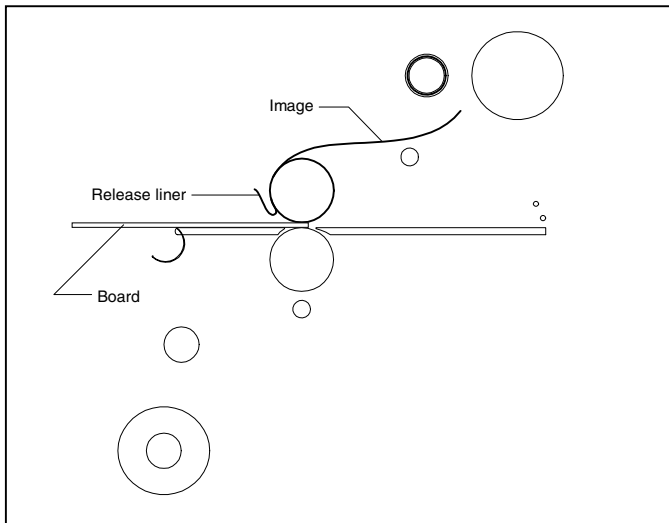


Fig. 35

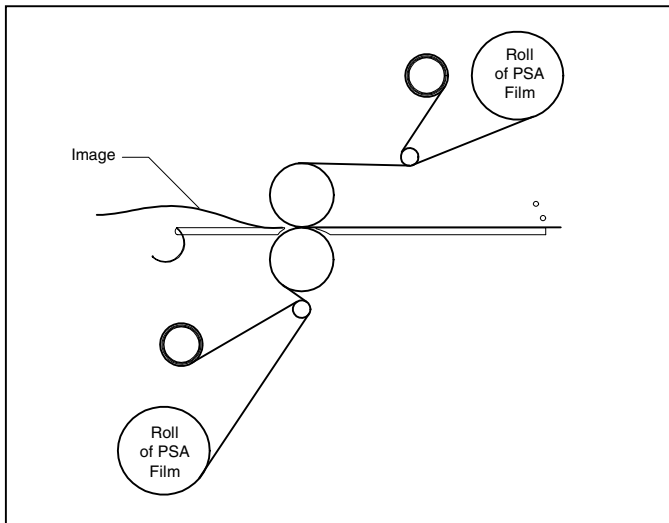


Fig. 36

#### TIPS FOR CREATING A DECAL (Figure 34)

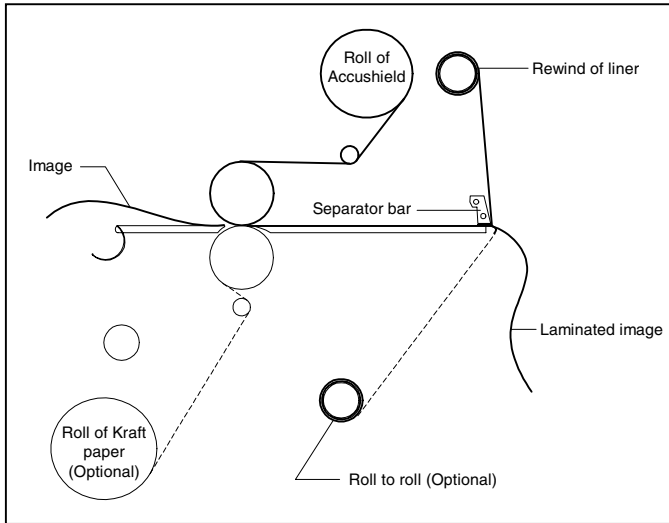
1. Load the laminator as illustrated in Figure 34.
2. The over laminate may be PSA or thermal type.
3. If using thermal type, pay attention to the Poly-in/ Poly-out rule.
4. Run a test material prior to running the actual image to ensure flat output.
5. Use minimal brake tension to achieve quality output.
6. Do not web the PSA mount adhesive around the lower web idler.

#### TIPS FOR MOUNTING A DECAL (Figure 35)

1. Load the laminator as illustrated in Figure 35.
2. The image should not exceed the width of the board by more than 1 in. (2.54 cm) per side.
3. Tack about 1 in. (2.54 cm) of the leading edge of the decal to the leading edge of the board.
4. When tacking the leading edge, start in the center and work to the sides.
5. Use a board that exceeds the size of the decal if inexperienced in the mounting application.

#### TIPS FOR PSA ENCAPSULATION (Figure 36)

1. Load the laminator as illustrated in Figure 36.
2. Always use two rolls of the same width.
3. Use minimal brake tension to achieve flat output.
4. The separation of the laminate and the release liner should be maintained close to the heat rollers.
5. A little heat, 125 °F (52 °C), may help eliminate silvering effects associated with PSA films.



**Fig. 37**

**TIPS FOR ACCUSHIELD™ (Figure 37)**

1. Load the laminator as illustrated in Figure 42.
2. You must have the Separator bar option to accurately run this material.
3. Liner rewind tension will be greater than normal operating standards.
4. Do not attempt to run this material greater than a speed setting of 4.
5. To prevent some adhesive adhering to the rollers, you may choose to use a roll of kraft paper for a carrier with the roll to roll rewind option installed.

## SPEED/ TEMPERATURE GUIDE

**This is only a general reference guide. Different settings may be suitable as the warm up time, lamination time and materials change. (Figure 38 & 39)**

Factors that may effect the speed and temeprature parameters;

1. Image length
2. Image width
3. Ink coverage
4. Paper type
5. Laminate thickness
6. Operating enviroment
7. Condition of the rollers
8. Line voltage (effects heaters)
9. Using vacuum and/ or cooling features.

12/02 You may have to adjust temperature or speed depending on stock finish, thickness and ink coverage.

\*Turn heat off when not in use.

Stock	Film Gauge	Nap-Lam II		Nap-Lam I		*Vinyl		Premium		Hi-Tac	
		Settings		Settings		Settings		Settings		Settings	
		Temp (F)	Speed	Temp (F)	Speed	Temp (F)	Speed	Temp (F)	Speed	Temp (F)	Speed
<b>20# Bond</b>	mil										
	1.5	248	8	290	7					255	8
	3	239	6	270	5			225	4		
	5	230	5	250	3	230	5	220	3		
	10	221	3					210	3		
<b>80# Bond</b>	1.5	248	6	295	7					255	6
	3	239	5	275	5			230	4		
	5	230	3	250	2	230	3	225	3		
	10	221	2					215	3		
<b>10 Pt. Board</b>	1.5	248	5	300	6					255	4
	3	239	4	275	4			235	4		
	5	230	2	250	2	230	2	230	3		
	10	221	2					220	2		

**Fig. 38**

## THE ART OF LAMINATION

### BASIC RULES

**Do not attempt to laminate abrasive or metal objects such as staples, paper clips and glitter, as they may damage the heat or pull rollers.**

**Do not force items into the nip area of the heat rollers. An item that is not easily drawn into the laminator by the heat rollers is probably too thick to laminate.**

**Wrinkles may result if an attempt is made to reposition an item once it has been grasped by the heat rollers.**

**Do not stop the laminator before an item has completely exited the pull rollers. Even a momentary stop will cause a mark (heat line) on the laminated item.**

Good, consistent lamination is a result of combining proper heat, tension and dwell time. Dwell time is controlled by the speed of the motor and is defined as the amount of time the material to be laminated is compressed between the heat rollers.

As a general rule, thicker items and film need to run at slower speeds because they extract more heat from the rollers at a quicker rate. Setting the speed control at slower settings gives the laminator longer dwell time thus allowing proper lamination of thick items. Thinner items, such as standard copier paper (20 lb. bond) and tissue paper, extract less heat from the rollers and can be run at faster speeds.

### FILM TENSION

Proper film tension, known as brake tension, is the minimum amount required to eliminate wrinkles in the finished item. The film should be taut. A properly adjusted roll of film should not require excessive force to turn by hand.

Film tension should be enough to introduce a minor amount of drag as the film unrolls. Insufficient tension causes wrinkles, while too much tension causes stretching (necking). Uneven tension between the top and bottom rolls create curl. Too much upper tension creates upward curl while too much bottom tension causes downward curl.

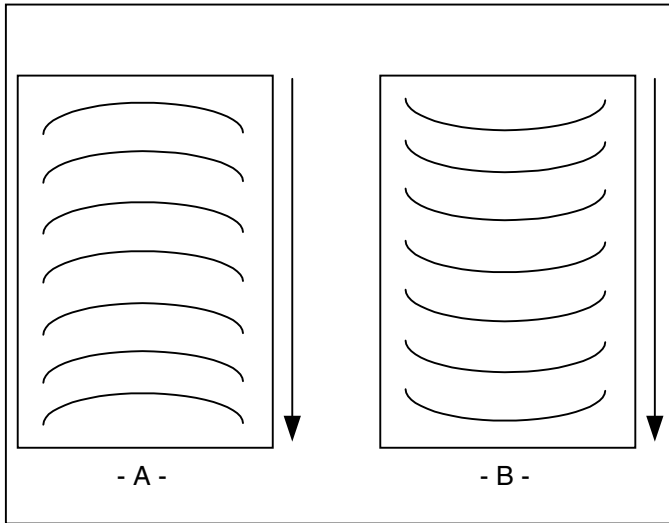


Fig. 43

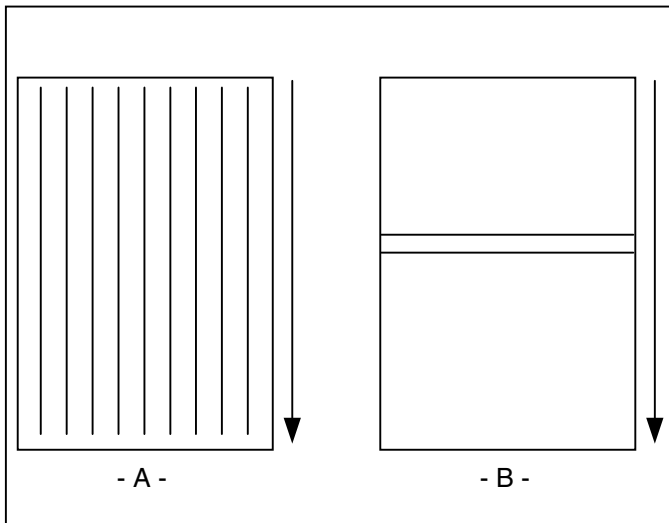


Fig. 44

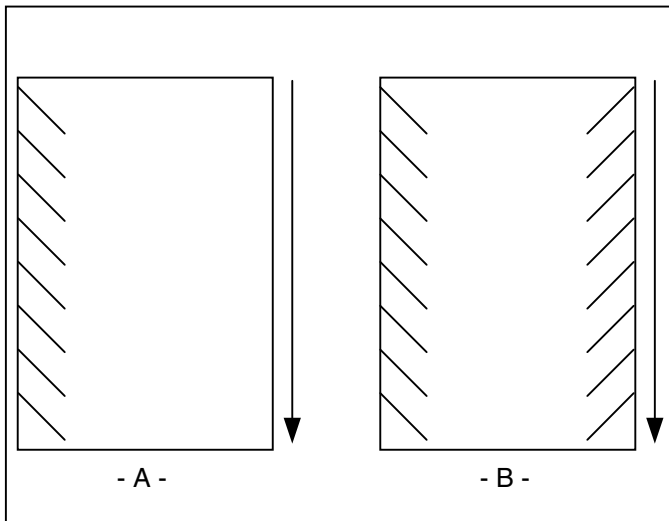


Fig. 45

#### HEAT

The “WAIT (Too COLD)” indicator may appear if the speed is set too fast for the material being laminated. Either lower the speed setting or press **STOP** and wait until the “READY” indicator appears.

Operation of the laminator for more than thirty minutes at a time may necessitate a lower speed setting. It is recommended that, during periods of long runs, the items being laminated are alternated between thick and thin. **Do not combine thick and thin items at the same time, as this will result in a poor edge seal around the thinner material.** If you are unsure that the laminator is set at the proper speed for the item to be laminated, run a test piece (scrap) of the same or similar material through the laminator. This procedure is recommended because rotating the heat roller prior to lamination will more evenly distribute the heat. Make speed adjustments if necessary.

#### OUTPUT

1. “D” waves in the image (Figure 43 A).
  - Check paper tension.
  - Paper may be damp or not dry.
2. “D” waves in the laminate (Figure 43 B).
  - Laminating pressure setting.
3. Straight waves in output (Figure 44 A).
  - Check operational settings for materials being used.
4. Indent waves in output after pull rollers (Figure 44 B).
  - Insufficient cooling time.
  - Output was handled prior to cooling.
  - Machine was stopped on print.
5. Angled waves in the output (Figure 45 A & B).
  - Laminating pressure setting.
  - Check for even paper tension (Figure 45 A only)

## MAINTENANCE

### CARING FOR THE GBCTALON 80 LAMINATOR

GBC offers Cleaning kits as well as Extended Maintenance Agreements.

Contact your local GBC Service Representative or your dealer/distributor for additional information.

The only maintenance required by the operator is to periodically clean the main rollers and schedule semi annual maintenance checks.

The following procedure will help keep the main rollers free of adhesive that has been deposited along the edge of the laminating film. Proper alignment of the rolls of film reduces the amount of "squeeze out".



**WARNING: Do not attempt to laminate adhesives marked "Flammable".**

- Do not laminate glitter and/ or metallic items. Damage to the rollers may result.



**WARNING: Do not apply any cleaning fluids or solvents to the rollers. Some solvents and fluids could ignite on upper heated roller.**

- Never clean rollers with sharp or pointed objects.
- Hardened adhesive deposits on the rollers can cause damage to the rollers. Rotate the rollers at the lowest speed setting on the control panel.



**CAUTION: THE FOLLOWING PROCEDURE IS PERFORMED WHILE THE LAMINATOR IS HOT. USE EXTREME CAUTION.**

1. Remove the film from the laminator following the procedure outlined in steps 1 through 6 of the section entitled **TO UNWEB THE LAMINATOR**.
2. Preheat the laminator until the "READY" indicator appears.
3. Remove the safety shield and tilt the feed table.
4. Rub the top and bottom heat rollers with a 3M™ Scotch-Brite™ pad . **DO NOT USE METAL SCOURING PADS!**
5. Use the footswitch to rotate the lower main roller to an unclean portion. The upper main roller is free spinning. Continue this process until the complete surface of both rollers are clean.
6. Refer to the beginning of the section entitled **OPERATING INSTRUCTIONS** to web your laminator.

**\*NOTE:** Do not use metal scouring pads to clean the rollers.



## TROUBLE-SHOOTING GUIDE

SYMPTOM	POSSIBLE CAUSE	CORRECTIVE ACTION
<ul style="list-style-type: none"> <li>The control panel display does not illuminate when <b>POWER ON/OFF</b> is in the <b>ON</b>, marked "I", position.</li> </ul>	Laminator not connected to electrical supply.	Insert attachment plug into receptacle.
<ul style="list-style-type: none"> <li>Main rollers do not turn when I press the <b>RUN</b> (↻) button.</li> </ul>	Safety shield is not properly installed.  Feed table not properly installed. E-STOP is engaged	Remove safety shield and properly replace it.  Tilt feed table and properly replace it. Pull out on the E-STOP push button.
<ul style="list-style-type: none"> <li>Main rollers only turn if I use the footswitch.</li> </ul>	Laminator is in FootSwitch mode.	Disengage the footswitch mode.
<ul style="list-style-type: none"> <li>Laminated items exhibit curling.</li> </ul>	Tension between the top and bottom film roll is unequal.  Tension on top or bottom roll of film is too loose.  Speed setting too slow.  Bottom film roll may be improperly loaded.	Adjust tension per section <b>FILM TENSION</b> .  Adjust tension per section <b>FILM TENSION</b> .  Slightly speed up the laminator.  Make sure bottom roll of film is around idler bar and the it is in the normal operating position.
<ul style="list-style-type: none"> <li>Adhesive deposited on main rollers.</li> </ul>	Top and bottom film webs not aligned.  Laminate improperly loaded.	Release main roller pressure, align the rolls of film.  Adhesive (matte) side of laminate film may be against the upper main roller. Unweb and reload the film properly.
<ul style="list-style-type: none"> <li>Unsatisfactory adhesion of laminate.</li> </ul>	Speed setting too fast for type of material being laminated.  Insufficient heat.  Laminate improperly loaded.  Heat rollers require cleaning.  Laminated item unsuitable for adhesion.	Lower speed setting by pressing <b>SLOW</b> button to slower speed  Wait for " <b>READY</b> " indicator to appear in the control panel display. Adhesive side of film must be facing away from the heat rollers. Bottom roll of film not threaded behind the idle bar.  Clean heat rollers per procedure in section <b>CARING FOR THE GBC TALON 44/64 LAMINATOR</b> . Item may be dirty or may have non-porous surface that is extremely difficult to laminate.
<ul style="list-style-type: none"> <li>Waves in my output</li> </ul>	See sub section <b>OUTPUT</b> .  Nips may be out of calibration.	Under section titled <b>THE ART OF LAMINATION</b> .  Place a service call for calibration check.

### SERVICE AGREEMENT

GBC's Equipment Maintenance Agreement will insure the quality performance and long life built into your laminator.

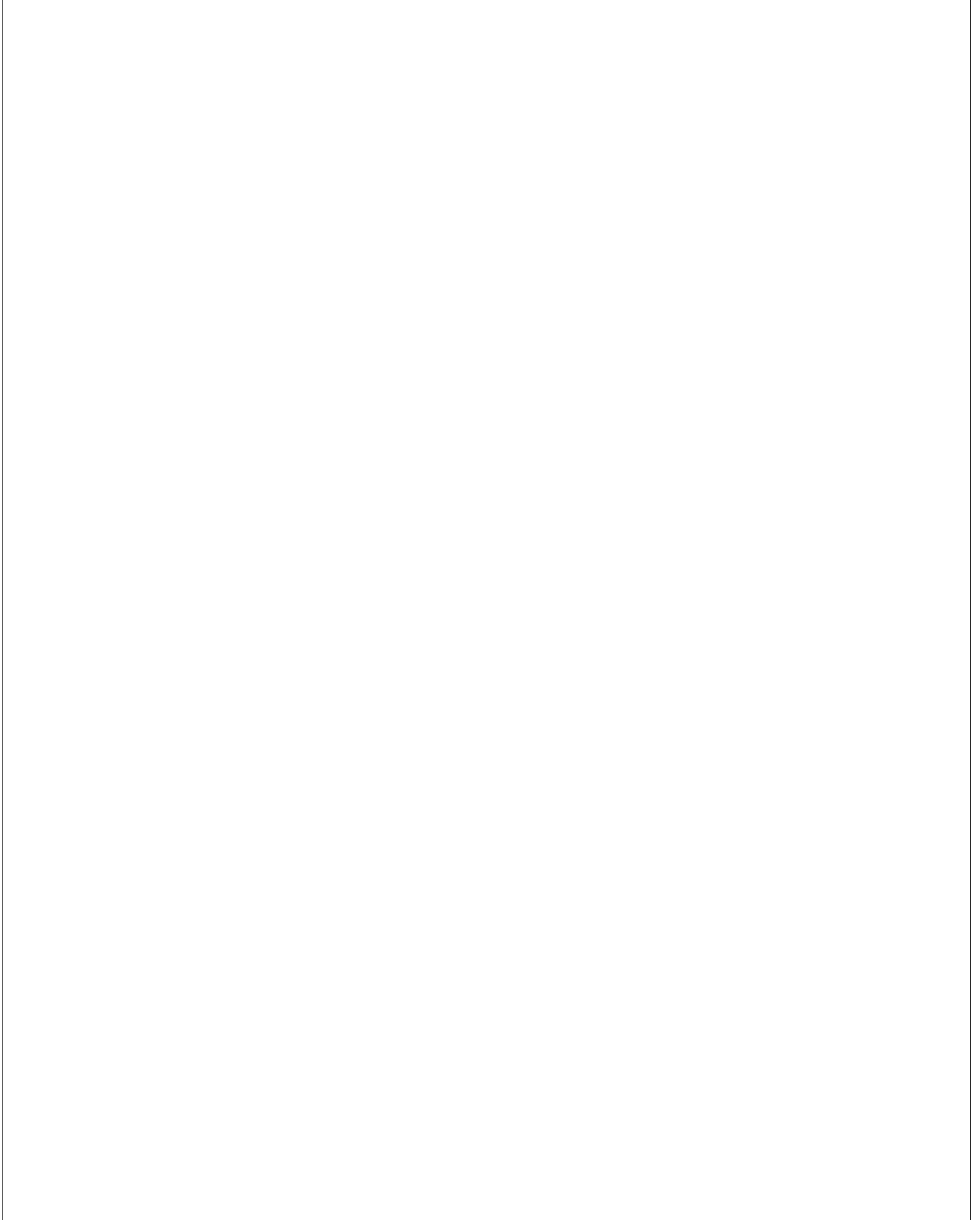
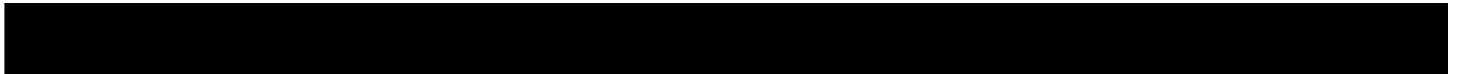
A service charge for travel time, labor and parts may be incurred for each out of warranty service call. GBC's Equipment Maintenance Agreement decreases these expenses and protects your valuable investment. GBC offers several types of agreements to suit your needs and budget. To contact GBC write to:

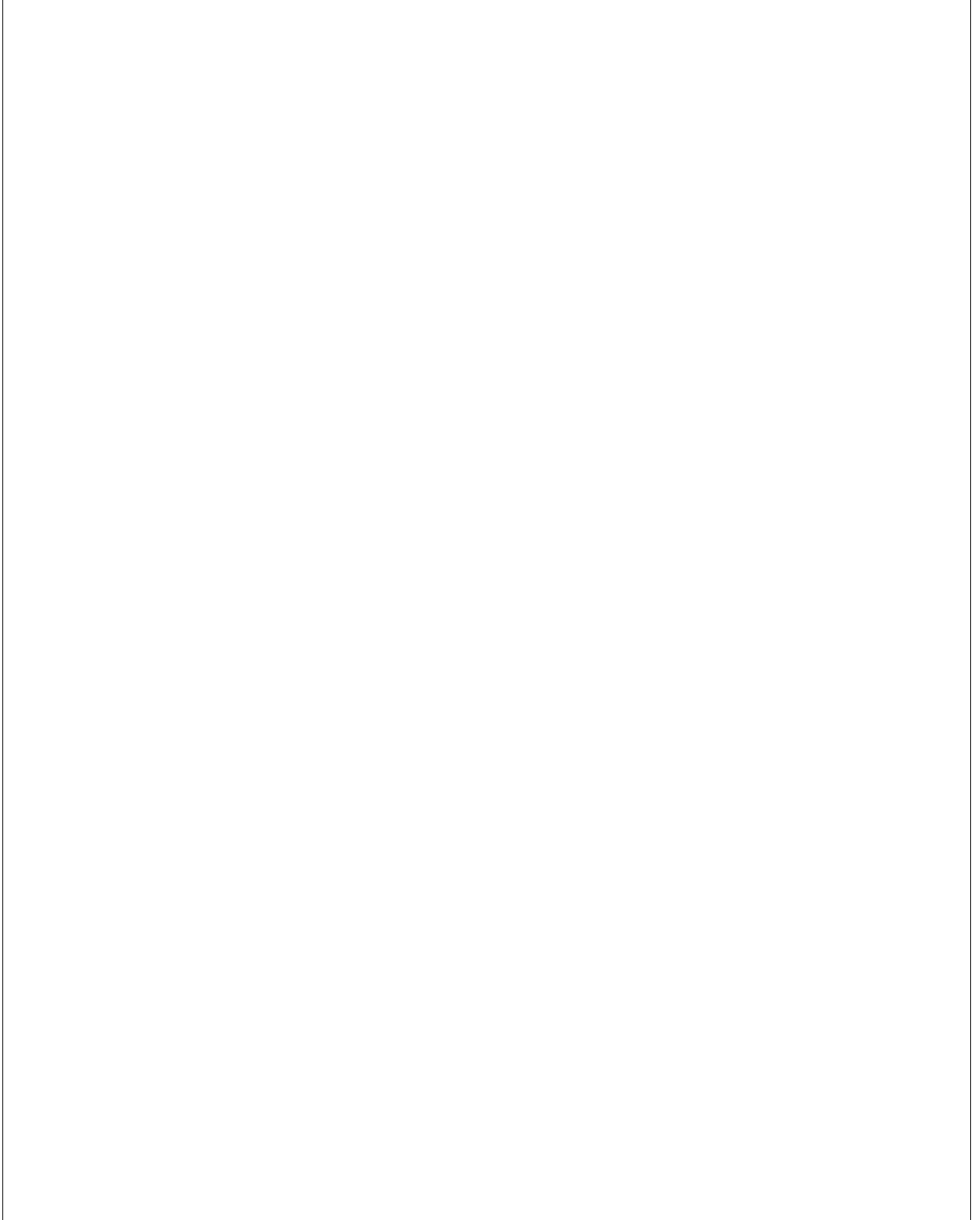
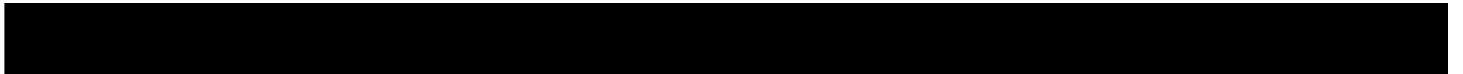
GBC NATIONAL SERVICE  
 ONE GBC PLAZA  
 NORTHBROOK, IL 60062 U.S.A.  
 1.847.272.3700

IN CANADA:

GBC NATIONAL SERVICE  
 49 RAILSIDE ROAD  
 DON MILLS, ONTARIO  
 M3A 1B3

Part Number 930-098 Revision -





**This page intentionally left blank.**





**General Binding Corporation**  
**One GBC Plaza**  
**Northbrook, IL 60062-4195**

---