



Professional Support Services
500 Bond St.
Lincolnshire, IL. 60069

NATIONAL SERVICE BULLETIN

TO: SEE DISTRIBUTION

N.S.B. NO: 281A

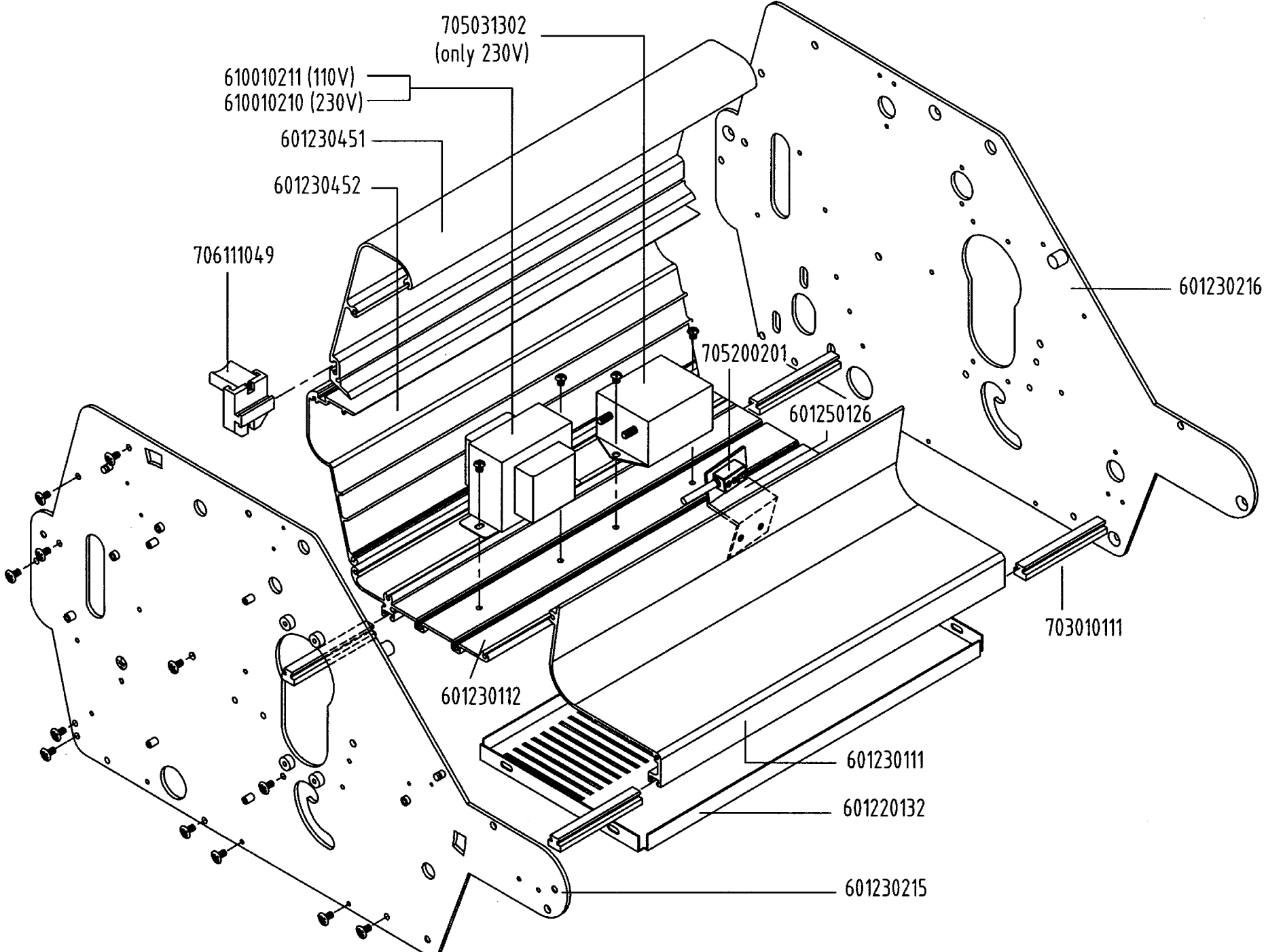
FROM: NATIONAL SERVICE DEPARTMENT

Page 1 of 30

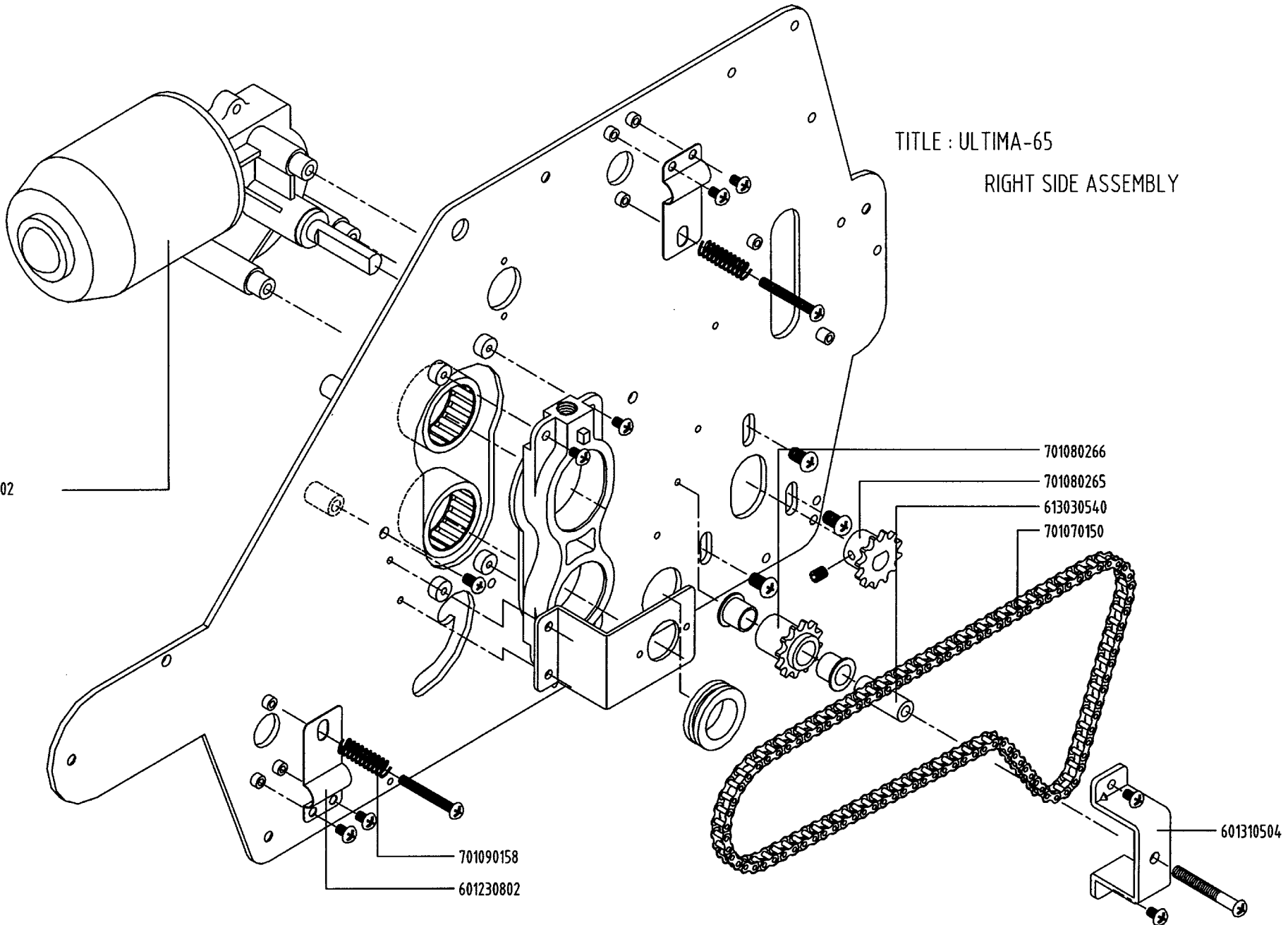
SUBJECT: **U65-1 EXPLODED VIEWS/CALIBRATION
PROCEDURE/BOM**

Date: 10/24/2002

Attached are the Ultima 65-1 exploded views, calibration procedure, and bills of material for the 115 VAC and 230 VAC. The Calibration Fixture can be ordered under part number 706111167.



6090202



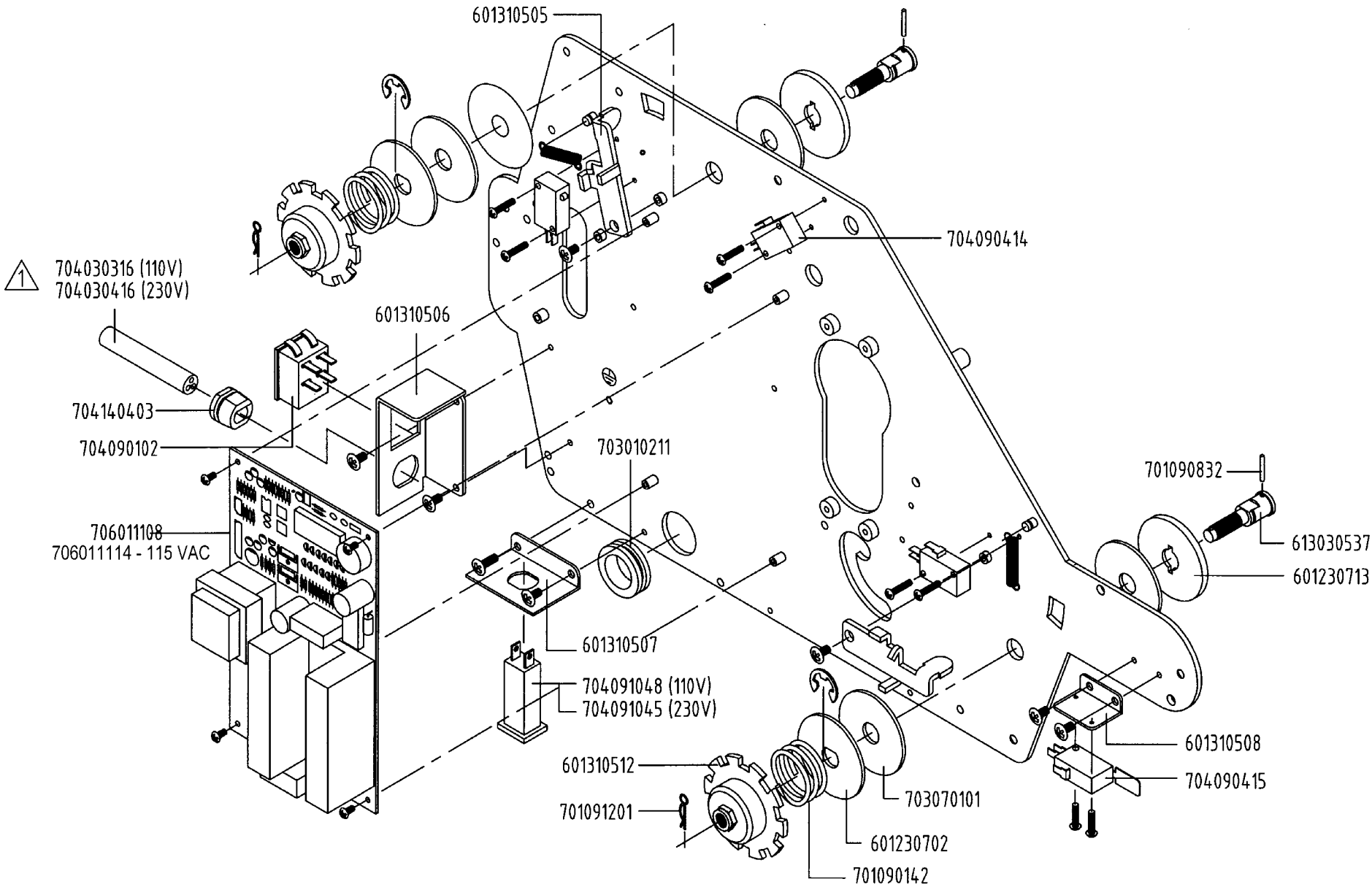
TITLE : ULTIMA-65

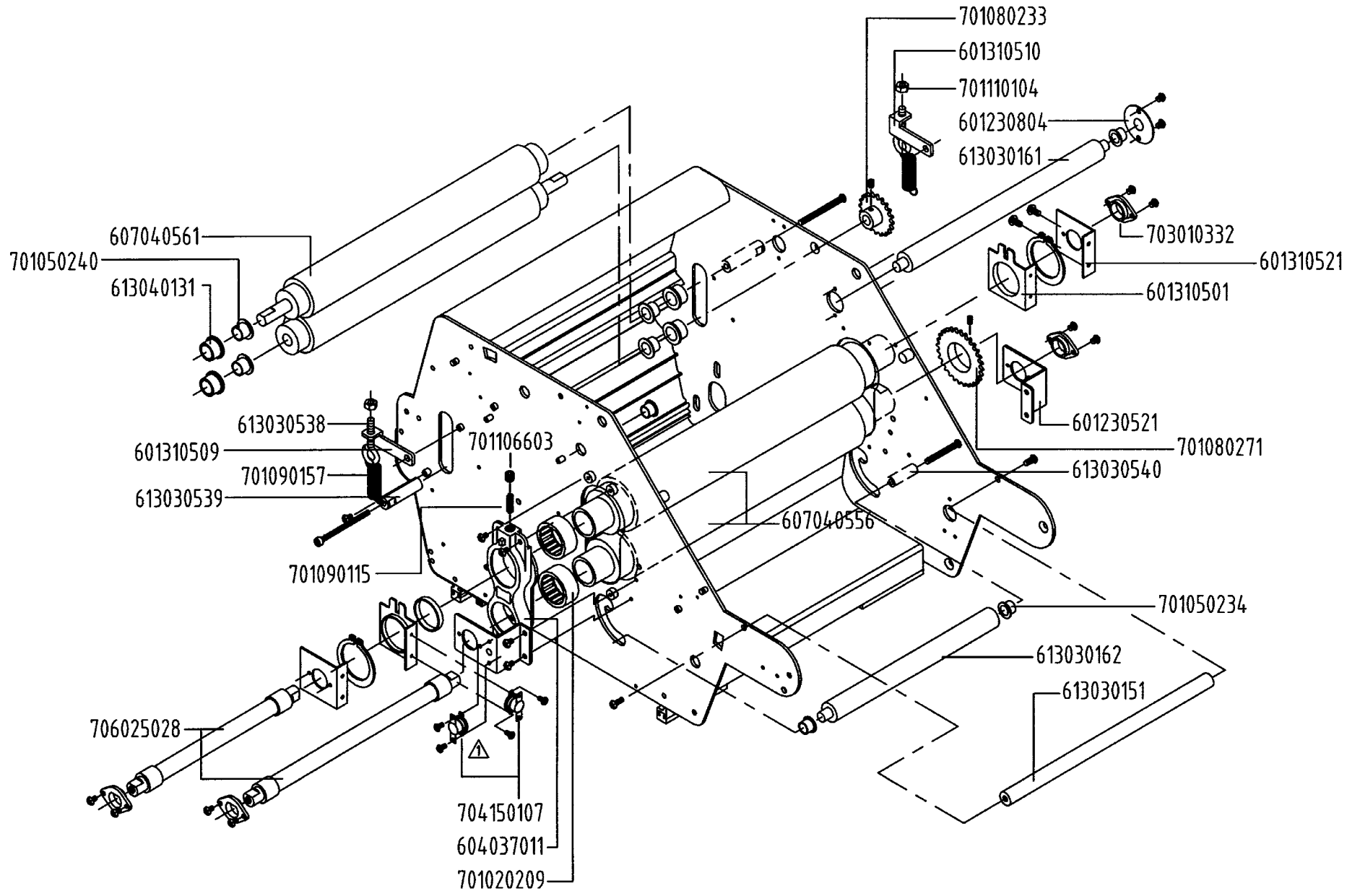
RIGHT SIDE ASSEMBLY

- 701080266
- 701080265
- 613030540
- 701070150

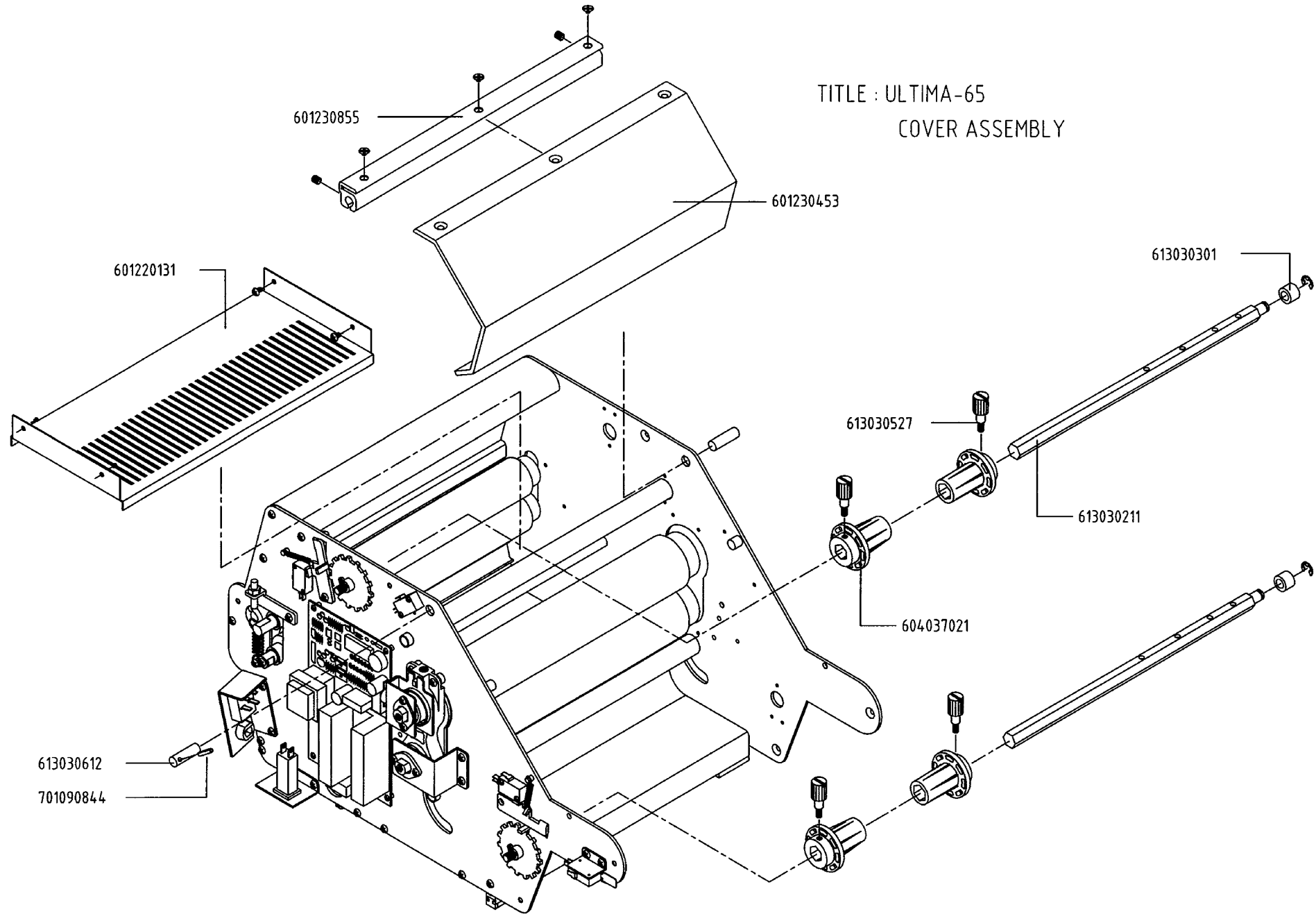
- 701090158
- 601230802

601310504

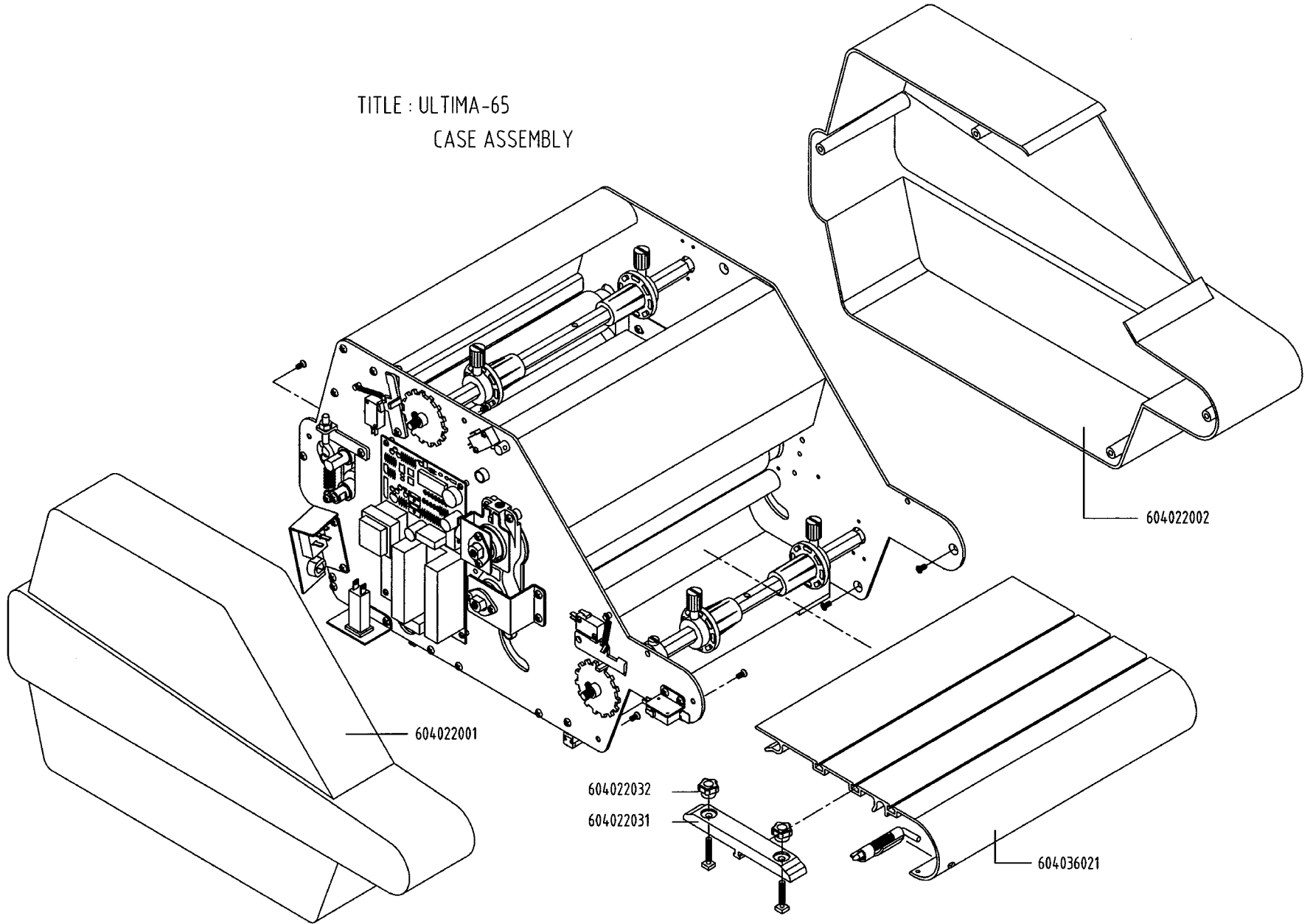




TITLE : ULTIMA-65
COVER ASSEMBLY

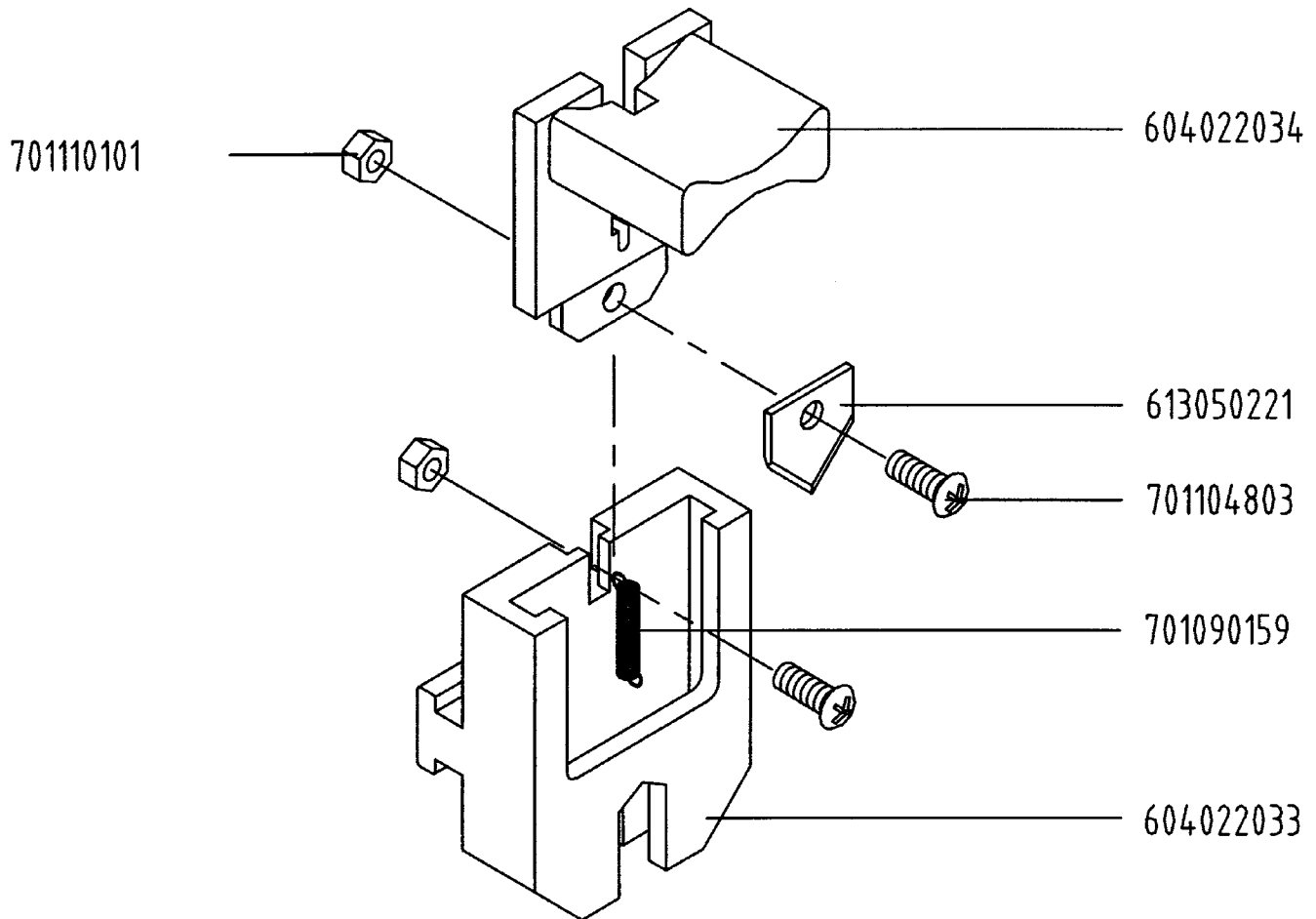


TITLE : ULTIMA-65
CASE ASSEMBLY



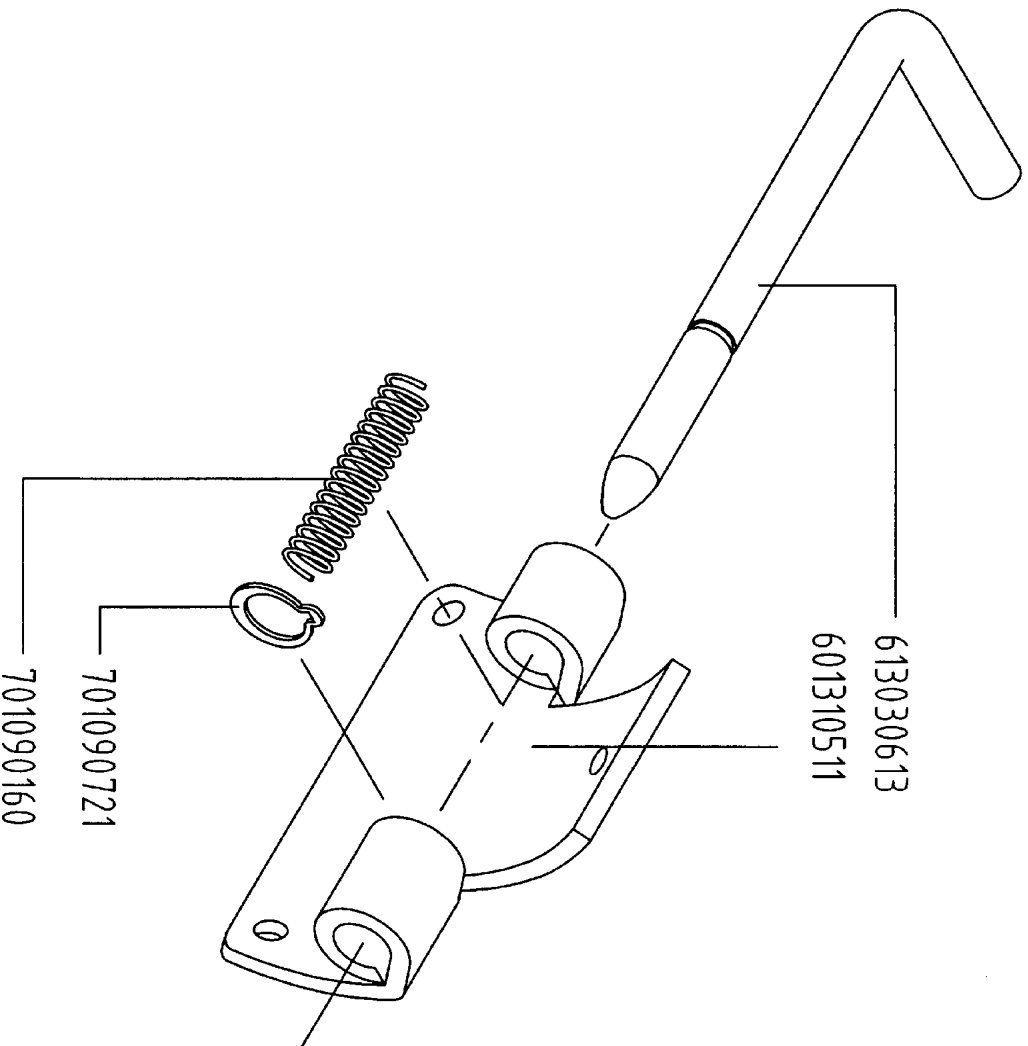
TITLE : ULTIMA-65

SLITTER ASSEMBLY

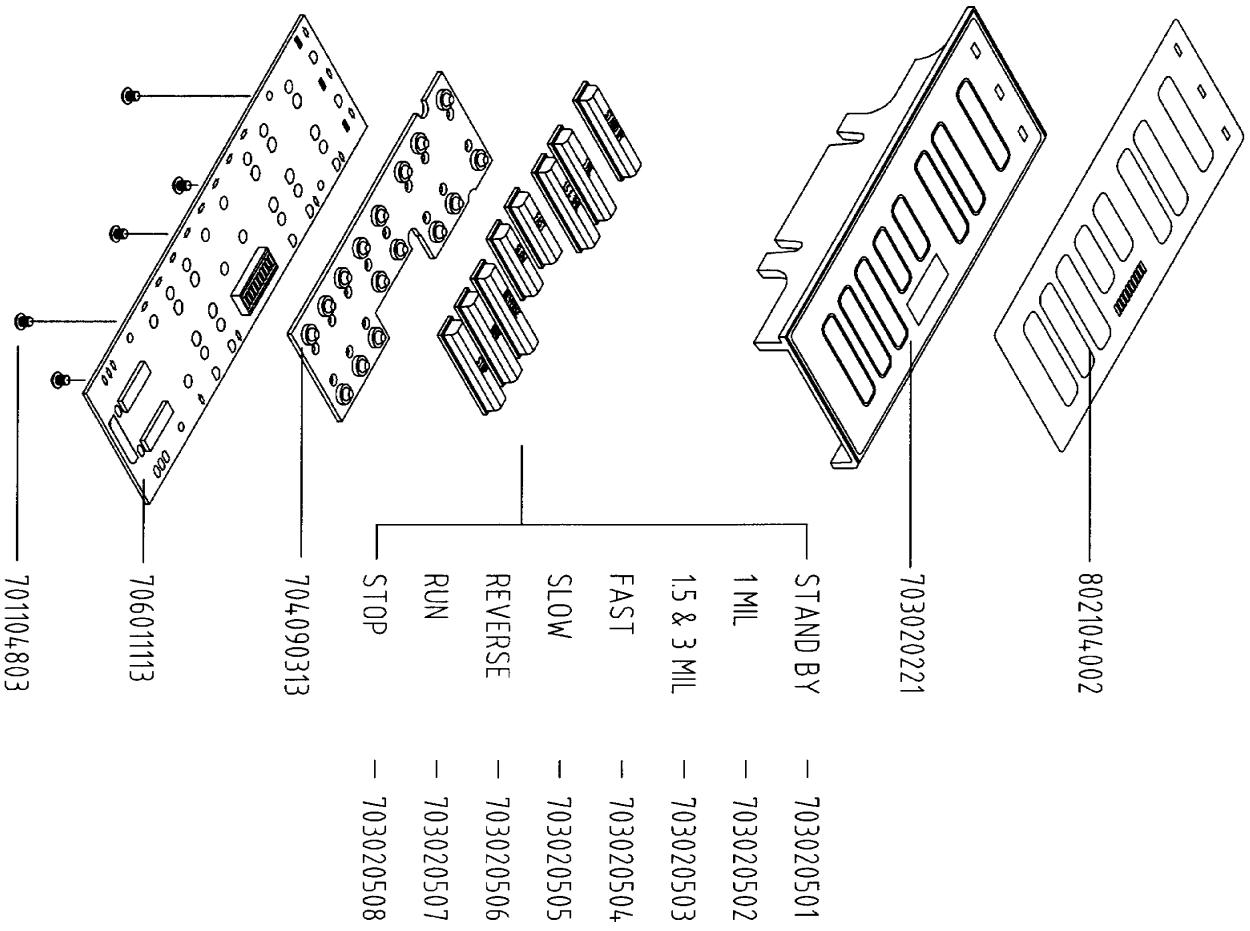


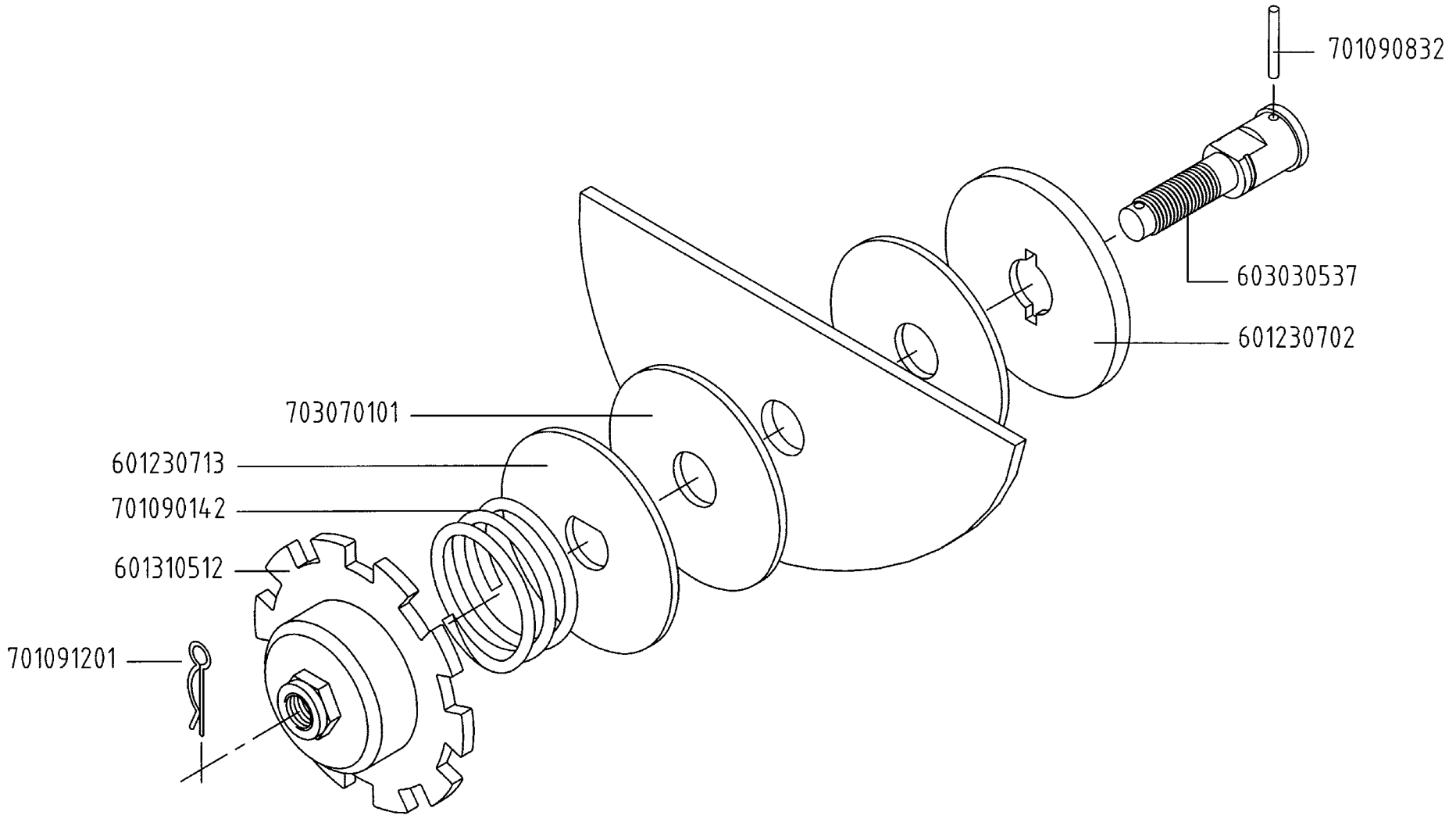
TITLE : ULTIMA-65

SAFTY LEVER ASSEMBLY

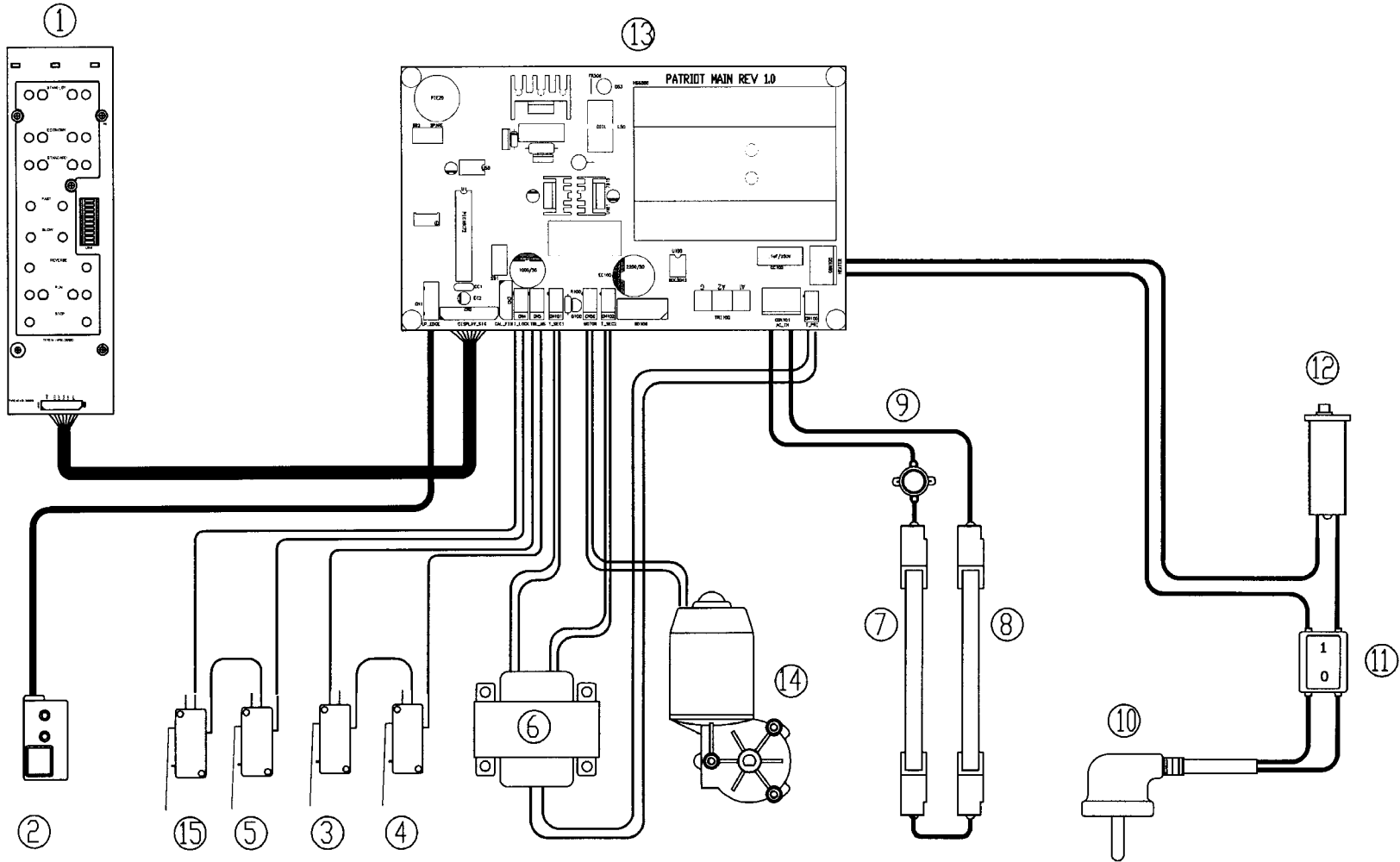


TITLE : ULTIMA-65
CONTROL PANEL ASSEMBLY



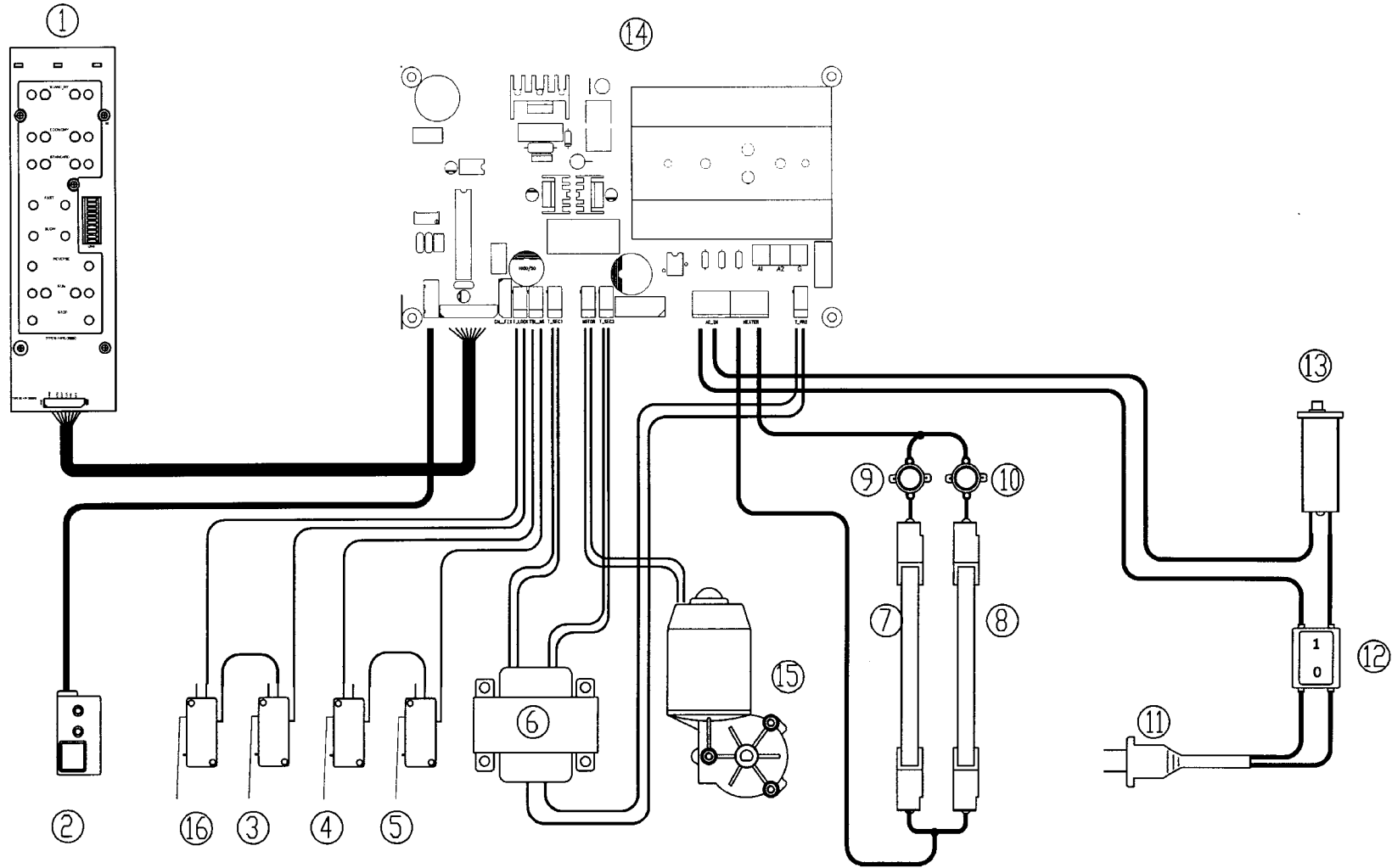


ULTIMA65 & PATRIOT 25E WIRE DIAGRAM(230/50)

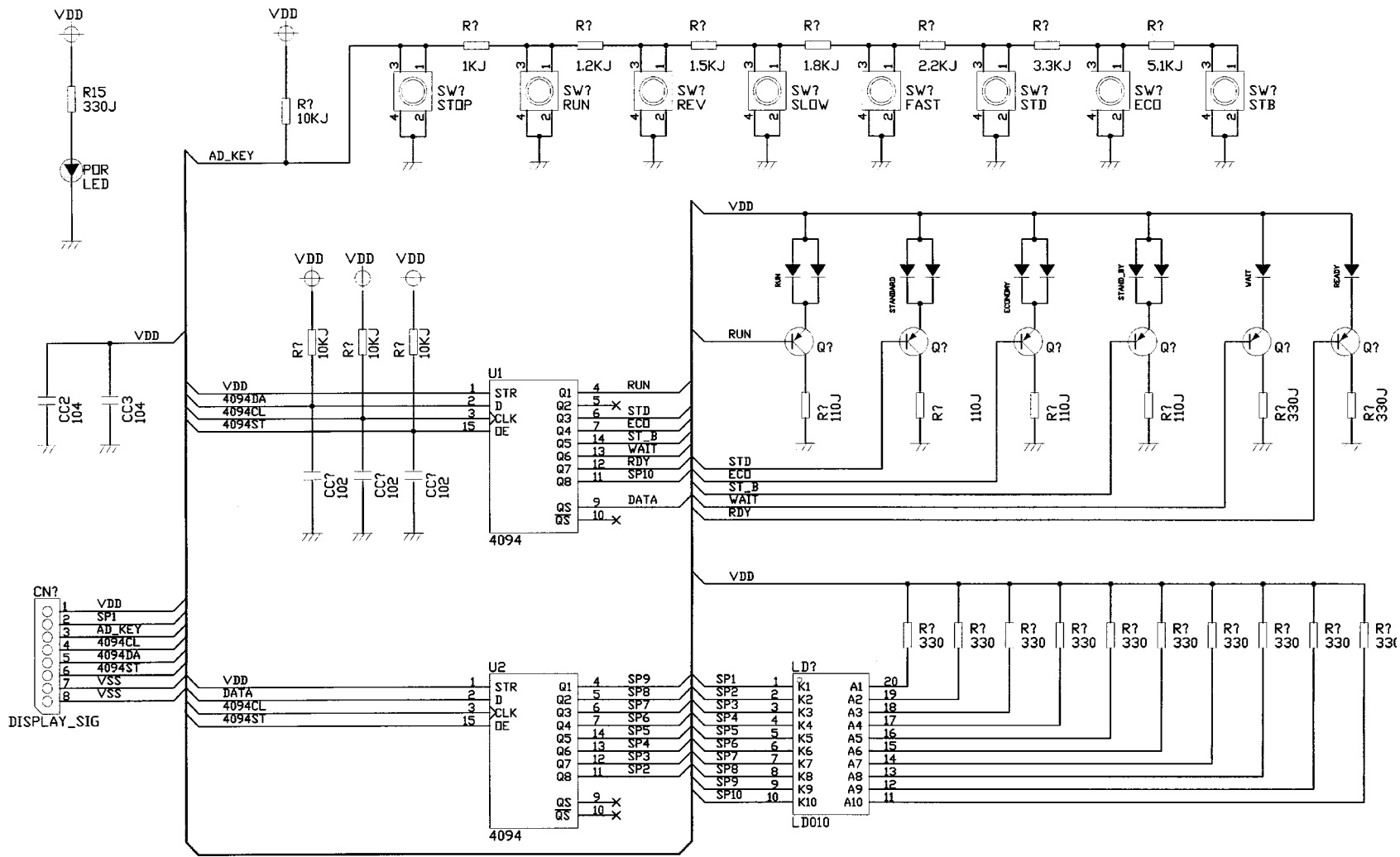


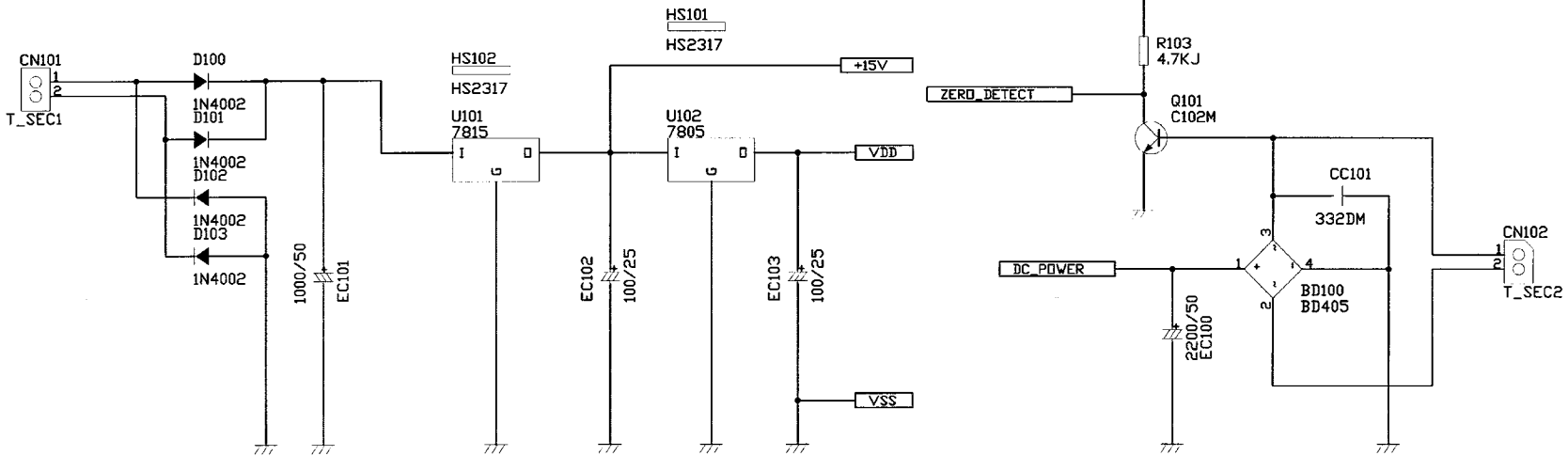
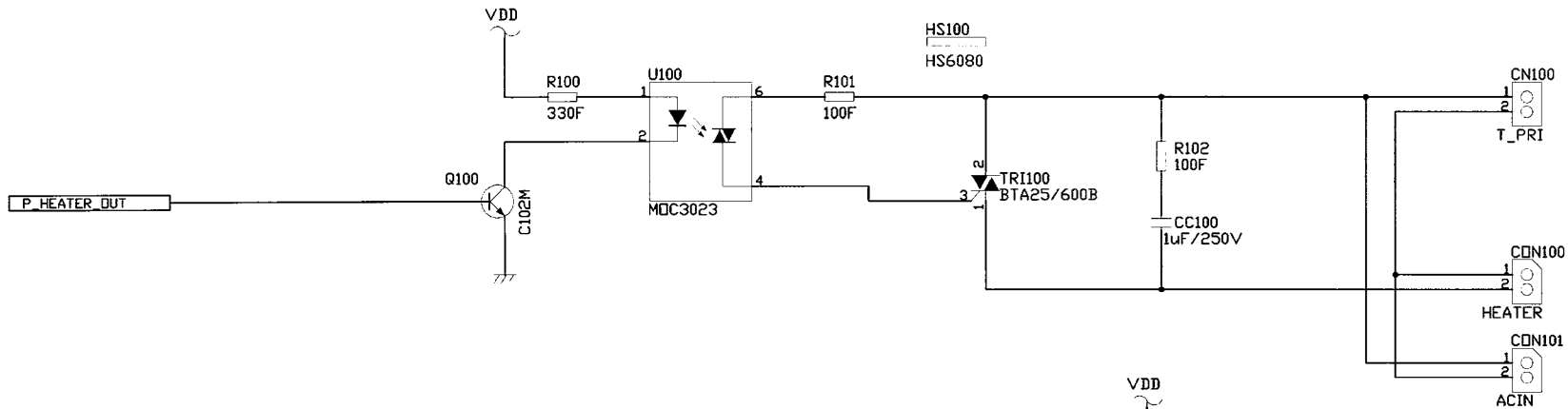
1	DISPALY PCB
2	TOP IR SENSOR
3	TABLE MICRO SWITCH 1
4	TABLE MICRO SWITCH 2
5	I_LOCK MICRO SWITCH1
6	TRANS GM6635A-234
7	TOP HEATER
8	BOTTOM HEATER
9	TOP THERMOSTAT
10	POWER CORD
11	POWER SWITCH
12	CIRCUIT BREAKER
13	MAIN PCB DRIVE
14	MAIN MOTOR
15	I_LOCK MICRO SWITCH2

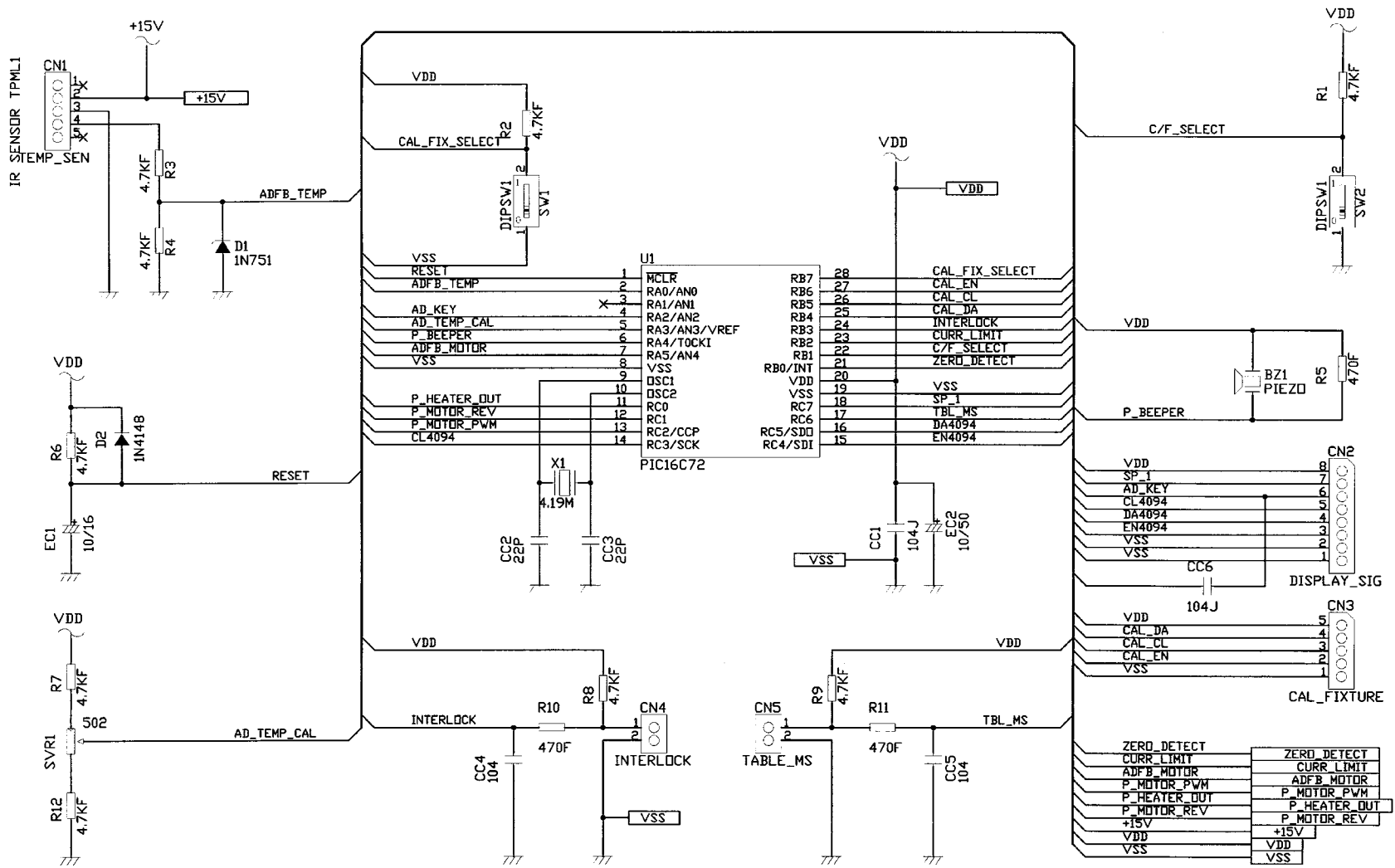
ULTIMA65 & PATRIOT 25E WIRE DIAGRAM(120/60)



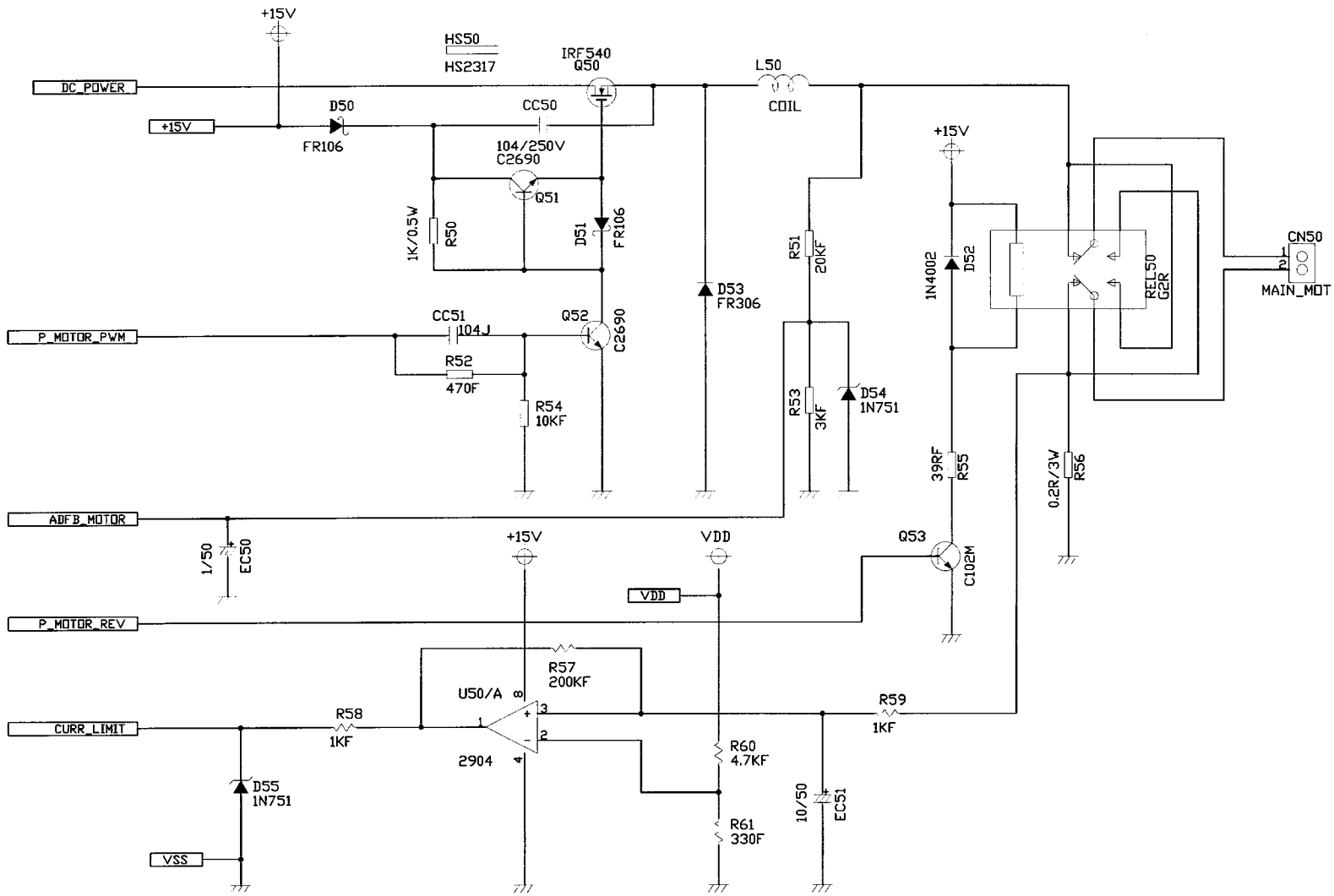
1	DISPALY PCB
2	TOP IR SENSOR
3	TABLE MICRO SWITCH 1
4	TABLE MICRO SWITCH 2
5	I_LOCK MICRO SWITCH1
6	TRANS GM6635A-12
7	TOP HEATER
8	BOTTOM HEATER
9	TOP THERMOSTAT
10	BOTTOM THERMOSTAT
11	POWER CORD
12	POWER SWITCH 15A
13	CIRCUIT BREAKER
14	MAIN PCB DRIVE
15	MAIN MOTOR
16	I_LOCK MICRO SWITCH2







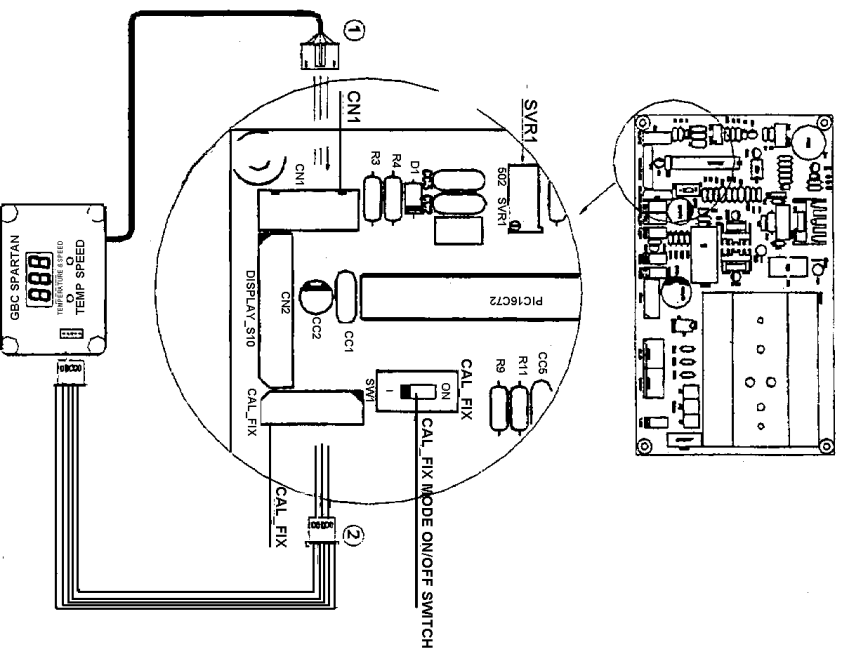
ZERO_DETECT	ZERO_DETECT
CURR_LIMIT	CURR_LIMIT
ADFB_MOTOR	ADFB_MOTOR
P_MOTOR_PWM	P_MOTOR_PWM
P_HEATER_OUT	P_HEATER_OUT
P_MOTOR_REV	P_MOTOR_REV
+15V	+15V
VDD	VDD
VSS	VSS



ULTIMA 65-1 & PATRIOT 25E TEMPERATURE CALIBRATION

1. Turn off the POWER SWITCH on the machine.
2. Remove both Side Covers first, then Rear Cover. Main PCB as shown below will be found.
3. Remove TEMP SENSOR connector at "CNI" and connect line 1 from Calibration Fixture there. Connect line 2 from fixture to "CAL_FIX" connector on the PCB.
4. Set the "CAL_FIX" Slide Switch to "ON" position.
5. Once the machine is turned on, "TEMP" LED on the fixture will flicker and numeric LED display will show a certain number as an initial stage. Temperature on display can be changed by adjusting SVR1 potentiometer with set screw driver.
6. Adjust SVR1 so that the temperature on display will be 127°C.
7. Set the "CAL_FIX" Slide Switch back to "OFF" position.
8. Once calibration is completed, turn the Power Switch off, remove connectors from CALIBRATION FIXTURE, and put the TEMP SENSOR connector back, put the Rear Cover and both Side covers back on.

PATRIOT 25E & ULTIMA 65-1 MAIN PCB



Y	Code No.	Item	Specification	Qty.	Unit	Effective from
	601220131	ULTIMA65 FILM GUIDE SCREEN(UP)	AL 1.0T 738*149.5	1	EA	
	601220132	ULTIMA65 FILM GUIDE SCREEN(LOW)	AL 1.0T 738*162	1	EA	
	601230111	ULTIMA65 FRONT BASE PLATE	AL 738.5*112.5*103	1	EA	
	601230112	ULTIMA65 REAR BASE PLATE	AL 738.5*135*16	1	EA	
	601230215	ULTIMA65 SIDE PLATE(L)	FE 3.0T 530*297	1	EA	
	601230216	ULTIMA65 SIDE PLATE(R)	FE 3.0T 530*297	1	EA	
	601230451	ULTIMA65 REAR COVER(UP)	AL 738.5*81*142	1	EA	
	601230452	ULTIMA65 REAR COVER(LOW)	AL 738.5*50*129	1	EA	
	601230453	ULTIMA65 ROLLER COVER	PC 3.0T*733*92*56	1	EA	
	601230521	EAGLE Infrared Heater Support	FE2.0T*40*102	2	EA	
	601230702	EAGLE Inner Tension Panel	FE 2.0T*f44	2	EA	
	601230713	ULTIMA Outer Tension Panel	FE 2.0T*F44*8*M14	2	EA	
	601230802	EAGLE Film Shaft Support Plate	SUS 0.5T*24*51	2	EA	
	601230804	EAGLE IDLER HOUSING	FE 1.0T*38*F14*8	1	EA	
	601230855	ULTIMA-65 ROLLER COVER CAP	AL 26*22*L738	1	EA	
	601250126	ULTIMA65 SENSOR BRACKET	SPC 2.0T 40*27.5(GY-012)	1	EA	7/18/2002
	601310501	ULTIMA65 Support inside Infrared Heater(N)	FE1.5T*47*58.5	2	EA	
	601310504	ULTIMA65 IDLE GEAR SUPPORT	FE 3.0T 20*64	1	EA	
	601310505	ULTIMA65 FILM TENSION LEVER	FE 3.0T 65*25.5	2	EA	
	601310506	ULTIMA65 Power Panel	FE 2.0T 76*37	1	EA	
	601310507	ULTIMA65 CIRCUIT BREAKER SUPPORT	FE 1.5T 50*35	1	EA	
	601310508	MICRO S/W Support	FE 1.5T 38.5*46	1	EA	
	601310509	ULTIMA65 P/R Tension Lever(L)	FE 3.0T 54*19	1	EA	
	601310510	ULTIMA65 P/R Tension Lever(R)	FE 3.0T 54*19	1	EA	
	601310511	ULTIMA65 Front Tray Lever Fixing Plate	FE 2.0T 50*39	1	EA	
	601310512	ULTIMA65 Tension Control Panel	ZINC 3.0T*F57	2	EA	
	601310521	ULTIMA65 Support outside Infrared Heater(N)	FE 2.0T*F44*F8*M14	2	EA	
Y	604022001	ULTIMA65 SIDE COVER(L)	PC 531.5*298.5*68(80087)	1	EA	
Y	604022002	ULTIMA65 SIDE COVER(R)	PC 531.5*298.5*79.5(80087)	1	EA	
Y	604022031	PAPER GUIDE	PC 155*11.5*19.5	1	EA	
	604022032	PAPER GUIDE KNOB	NYLON66 F19*20*M5	2	EA	
	604036021	ULTIMA65 FRONT TABLE	AL 736*242*35	1	EA	
	604037011	ULTIMA65 H/R ROLLER HOOK	ZINC132*43*22	2	EA	
	604037021	AL 1"CORE BUSHING	ZINC*M14*F25	4	EA	
Y	607040556	ULTIMA-65 H/ROLLER	803*F49*700*F55 RED	2	EA	
Y	607040561	ULTIMA-65 P/ROLLER	760*F12*700*F40 GRAY	2	EA	
	6090202	DC GEARED MOTOR(DM010)	DC 36V 11W	1	EA	
	610010211	TRANSFORMER GM6635A-12	120/36V/1.3A	1	EA	7/18/2002

Y	Code No.	Item	Specification	Qty.	Unit	Effective from
Y	613030151	ULTIMA-65 TIE BAR(PL)	SM45C F10*739	1	EA	
Y	613030161	ULTIMA-65 UP IDLE ROLLER(PL)	SM45C F20*760	1	EA	
Y	613030162	ULTIMA-65 LOW IDLE ROLLER(PL)	SM45C F20*752	1	EA	
Y	613030211	ULTIMA-65 HEX FILM SHAFT(PL)	FE HEX 14*742	2	EA	
	613030301	EAGLE Film Shaft Bushing(PL)	f15.5*f10*11.0	2	EA	
	613030527	EAGLE CORE BUSH BOLT(PL)	FE f8*15*40	4	EA	
	613030537	Film Tension Bolt(PL)	45C*F13.5*30(EAGLE,ULTIMA)	2	EA	
	613030538	P/R Tension Bolt(PL)	M6.0*30EH	2	EA	
	613030539	GBC4265 P/R Support Pin(PL)	SM45C F12*47	2	EA	
	613030540	GBC4265 Auxiliary Gear Support Pin(PL)	SM45C F10*27.5	3	EA	
	613030541	GBC4265 Front Tray Hook Support Pin(PL)	SM45C F10*20	2	EA	
	613030612	GBC4265 Roller Cover Support Pin(PL)	45C*F10*53	1	EA	
	613030613	Front Tray Safety Lever(PL)	45C*F5*92	1	EA	
	613040131	Column Busing(PL)	F22*12*10	4	EA	
	6380203	START KIT 655Q/EAGLE65(25mm)		2	EA	
	701020209	DRAWN NIDDLE BEARING	HK3016	4	EA	
	701050234	DU BUSHING FRANGE	10*08	6	EA	
	701050240	DU BUSHING FRANGE	12*12	4	EA	
	701070150	ROLLER CHAIN	RS25H(50PCS)/ULTIMA	1	EA	
	701080233	STEEL 1/4CHAIN GEAR	20T*F12/ULTIMA-65	1	EA	
	701080265	STEEL 1/4CHAIN GEAR	12T*F10/ULTIMA-65	1	EA	
	701080266	STEEL 1/4CHAIN GEAR	12T*F12/ULTIMA-65	1	EA	
	701080271	STEEL 1/4CHAIN GEAR	28T*f30/EAGLE H/R	1	EA	
	701090115	ROLLER SPRING	2.0T*20mm	2	EA	
	701090142	EAGLE Film Pipe Spring	3.5T*F26.5*17.5MM	2	EA	
	701090151	Pull Spring	0.7T*30mm	2	EA	
	701090157	Pull Spring	2.5T*30mm	2	EA	
	701090158	Compressed Coil Spring	0.8T*35mm	2	EA	
	701090160	Front Tray Coil Spring	0.8T*30mm	1	EA	
	701090606	SPRING E RING	f7.0mm	2	EA	
	701090832	SPRING PIN	2*15	2	EA	
	701090844	SPRING PIN	4*15	1	EA	
	701091201	R PIN	1.8*32	2	EA	8/12/1999
	701100214	M/S ROUND HEAD M3.0RH	M3.0*14RH WHT	8	EA	
	701100404	M/S ROUND HEAD M5.0RH	M5.0*6RH WHT	2	EA	
	701100410	M/S ROUND HEAD M5.0RH	M5.0*12RH WHT	1	EA	
	701100412	M/S ROUND HEAD M5.0RH	M5.0*15RH WHT	2	EA	
	701100424	M/S ROUND HEAD M5.0RH	M5.0*40RH WHT	2	EA	

Y	Code No.	Item	Specification	Qty.	Unit	Effective from
	701100502	M/S ROUND HEAD M6.0RH	M6.0*8RH WHT	1	EA	
	701100506	M/S ROUND HEAD M6.0RH	M6.0*12RH WHT	3	EA	
	701102004	T/S ROUND HEAD 1CLASS T3.0RH	T3.0*6RH1C WHT	5	EA	
	701104504	T/S FLAT HEAD 2CLASS T4.0FH	T4.0*8FH2C WHT	10	EA	
	701104508	T/S FLAT HEAD 2CLASS T4.0FH	T4.0*12FH2C WHT	1	EA	
	701104803	T/S TRUSS HEAD 2CLASS T3.0TH	T3.0*6TH2C BLK	6	EA	
	701104902	T/S TRUSS HEAD 2CLASS T4.0TH	T4.0*6TH2C WHT	22	EA	
	701104903	T/S TRUSS HEAD 2CLASS T4.0TH	T4.0*8TH2C BLK	11	EA	
	701104907	T/S TRUSS HEAD 2CLASS T4.0TH	T4.0*12TH2C BLK	8	EA	
	701106302	SET SCREW HEXAGON SOCKET M5	M5.0*6SET	6	EA	
	701106603	SET SCREW HEXAGON SOCKET M	M10.0*10SET	2	EA	
	701107205	CAP/B HEXAGON SOCKET HEAD M4	M4.0*10CHS	2	EA	
	701108022	BRASS SCREW M-RH	M4.0*8RH	1	EA	
	701109102	M/S SAMS M4.0RH	M4.0*6RH SPRING WHT	12	EA	
	701109111	M/S SAMS M3.0RH	M3.0*6RH SPRING WHT	4	EA	
	701109117	M/S SAMS M5.0RH	M5.0*55RH SPRING WHT	2	EA	
	701110101	NUT	M3	2	EA	
	701110104	NUT	M6	2	EA	
	703010111	Rubber Foot (ULTIMA-65)	SILICON (f80*12*10)	4	EA	
	703010211	Wire Protection Ring	SILICON f25	2	EA	
	703010332	HOLDER (EAGLE/ULTIMA)	SILICON (6T*38*26)	4	EA	
Y	703020221	ULTIMA65 CONTROL PANEL	PC 174*70.5*36	1	EA	
	703020501	PC CONTROL KEY	PC (STAND BY/YELLOW)	1	EA	
	703020502	PC CONTROL KEY	PC (1MIL/GREEN)	1	EA	
	703020503	PC CONTROL KEY	PC (1.5&3MIL/GREEN)	1	EA	
	703020504	PC CONTROL KEY	PC (FAST/GREEN)	1	EA	
	703020505	PC CONTROL KEY	PC (SLOW/GREEN)	1	EA	
	703020506	PC CONTROL KEY	PC (REVERSE/GREEN)	1	EA	
	703020507	PC CONTROL KEY	PC (RUN/BLACK)	1	EA	
	703020508	PC CONTROL KEY	PC (STOP/BLACK)	1	EA	
	703070101	EAGLE/ULTIMA Friction Panel(Leather)	SKIN 2.0T*f44	4	EA	
	704030316	Cord Plug 125V UL	3P 1.5/15A(T250R)	1	EA	
	704090102	POWER S/W ROCKER	DPDT 250V16A(310B5NR)	1	EA	
	704090313	RUBBER KEY S/W	GBC ULTIMA-65	1	EA	
	704090414	MICRO SWITCH(ULTIMA)	250V/15A(VP-531A-1H)3	3	EA	
	704090415	MICRO SWITCH(ULTIMA)	250V/15A(VP-531A-2H)1	1	EA	
	704091048	CIRCUIT BREAKER	W28-XQ1A,15A	1	EA	7/24/2002
	704140403	CORD STOPPER	7NR-32	1	EA	

Y	Code No.	Item	Specification	Qty.	Unit	Effective from
	704140601	CABLE TIE	100mm	15	EA	
	704150107	BI-METAL THERMOSTAT	120 DEG(PW2N)	2	EA	
	704161705	WIRE ASS'Y ULTIMA65	UL1015#18(ORG/ORG)L370/240-M5557-R187	1	EA	
	704161706	WIRE ASS'Y ULTIMA65	UL1015#20(BRN/BRN)L670/570-M5557-R187	1	EA	
	704161707	WIRE ASS'Y ULTIMA65	UL1015#20(ORN)L200-R187	1	EA	
	704161708	WIRE ASS'Y ULTIMA65	UL1015#20(BRN)L150-R187	1	EA	
	704161709	WIRE ASS'Y ULTIMA65	UL1015#14(BLK)L100-R250	1	EA	
	704161715	WIRE ASS'Y ULTIMA65	UL3068#16(BLK)L1350-R1.25	1	EA	
	704161717	WIRE ASS'Y ULTIMA65	UL2464#26(8C)L1500-5264-08	1	EA	
	704161803	WIRE ASS'Y EAGLE	UL3068#16(WHITE)L70-R3.2	1	EA	7/18/2002
	704162816	WIRE ASS'Y SURELAM	UL1015#14(BLK)L150-250R	1	EA	4/27/2001
	704162817	WIRE ASS'Y SURELAM	UL1015#14(WHT)L150-250R	1	EA	4/27/2001
	704164623	WIRE ASS'Y SURELAMPRO-500	UL3068#16(WHT)L120-RE250-3.2RING	1	EA	7/24/2002
	704164751	WIRE ASS'Y PATRIOT-25E	UL1015#20(RED/BLK)L600-M5557-M5559	1	EA	7/18/2002
	704164752	WIRE ASS'Y PATRIOT-25E	UL3068#16(BLK)L350/150-8STRIP-R250	1	EA	7/18/2002
	704164753	WIRE ASS'Y PATRIOT-25E	UL2464#26(4C+SHIELD)L200-SMH250-SMP025	1	EA	7/18/2002
	705200201	INFRARED SENSOR	TPML1-710	1	EA	7/18/2002
Y	706011108	PCB ASS'Y PATRIOT 25E MAIN	PA/UL65 M	1	SET	7/18/2002
Y	706011113	PCB ULTIMA65 DISPLAY	4PK-G4265 D	1	SET	
Y	706025028	ULTIMA65 INFRARED HEATER	16.0 OHM F15.5*785	2	SET	
Y	706111049	EAGLE BACK TRIMMER ASS'Y	EAGLE/DOLPHIN/DISCOVERY	1	SET	
	801010812	C/T BOX (ULTIMA-65)	970*575*395	1	EA	
	8010422	Styrofoam ULTIMA65	695*465*305	1	SET	
	801050815	Manual ULTIMA65	210*150*8PAGE(ENGLISH)	1	EA	
	802104002	S/W NAME PLATE ULTIMA65	GRAY PC 0.25T*168*63	1	EA	
	803030348	GBC Specification Sticker	ULTIMA65 120V60	1	EA	
	803040323	WARNING STICKER	WARNING SHOCK HAZARD	1	EA	
	803040325	WARNING STICKER	SHARP BLADE	1	EA	
	803040327	WARNING STICKER	HOT ROLLS PINCH POINT	1	EA	
	803040329	WARNING STICKER	DO NOT OPERATE	2	EA	
	804020601	ULTIMA-65 MANUAL TAPE	ULTIMA-65	1	EA	

Y	Code No.	Item	Specification	Qty.	Unit	Effective from
	601220131	ULTIMA65 FILM GUIDE SCREEN(UP)	AL 1.0T 738*149.5	1	EA	
	601220132	ULTIMA65 FILM GUIDE SCREEN(LOW)	AL 1.0T 738*162	1	EA	
	601230111	ULTIMA65 FRONT BASE PLATE	AL 738.5*112.5*103	1	EA	
	601230112	ULTIMA65 REAR BASE PLATE	AL 738.5*135*16	1	EA	
	601230215	ULTIMA65 SIDE PLATE(L)	FE 3.0T 530*297	1	EA	
	601230216	ULTIMA65 SIDE PLATE(R)	FE 3.0T 530*297	1	EA	
	601230451	ULTIMA65 REAR COVER(UP)	AL 738.5*81*142	1	EA	
	601230452	ULTIMA65 REAR COVER(LOW)	AL 738.5*50*129	1	EA	
	601230453	ULTIMA65 ROLLER COVER	PC 3.0T*733*92*56	1	EA	
	601230521	EAGLE Infrared Heater Support	FE2.0T*40*102	2	EA	
	601230702	EAGLE Inner Tension Plate	FE 2.0T*f44	2	EA	
	601230713	ULTIMA Outer Tension Plate	FE 2.0T*F44*8*M14	2	EA	
	601230802	EAGLE Film Shaft Support Plate	SUS 0.5T*24*51	2	EA	
	601230804	EAGLE IDLER HOUSING	FE 1.0T*38*F14*8	1	EA	
	601230855	ULTIMA-65 ROLLER COVER CAP	AL 26*22*L738	1	EA	
	601250126	ULTIMA65 SENSOR BRACKET	SPC 2.0T 40*27.5(GY-012)	1	EA	4/26/2002
	601310501	ULTIMA65 Support inside Infrared Heater (N)	FE1.5T*47*58.5	2	EA	
	601310504	ULTIMA65 IDLE GEAR SUPPORT	FE 3.0T 20*64	1	EA	
	601310505	ULTIMA65 FILM TENSION LEVER	FE 3.0T 65*25.5	2	EA	
	601310506	ULTIMA65 Power Panel	FE 2.0T 76*37	1	EA	
	601310507	ULTIMA65 CIRCUIT BREAKER SUPPORT	FE 1.5T 50*35	1	EA	
	601310508	MICRO S/W Support	FE 1.5T 38.5*46	1	EA	
	601310509	ULTIMA65 P/R Tension Lever(L)	FE 3.0T 54*19	1	EA	
	601310510	ULTIMA65 P/R Tension Lever(R)	FE 3.0T 54*19	1	EA	
	601310511	ULTIMA65 Front Tray Lever Support Plate	FE 2.0T 50*39	1	EA	
	601310512	ULTIMA65 Tension Control Plate	ZINC 3.0T*F57	2	EA	
	601310521	ULTIMA65 Support outside Infrared Heater(N)	FE 2.0T*F44*F8*M14	2	EA	
Y	604022001	ULTIMA65 SIDE COVER(L)	PC 531.5*298.5*68(80087)	1	EA	
Y	604022002	ULTIMA65 SIDE COVER(R)	PC 531.5*298.5*79.5(80087)	1	EA	
Y	604022031	PAPER GUIDE	PC 155*11.5*19.5	1	EA	
	604022032	PAPER GUIDE KNOB	NYLON66 F19*20*M5	2	EA	
	604036021	ULTIMA65 FRONT TABLE	AL 736*242*35	1	EA	
	604037011	ULTIMA65 H/R ROLLER HOOK	ZINC132*43*22	2	EA	
	604037021	AL 1"CORE BUSHING	ZINC*M14*F25	4	EA	
Y	607040556	ULTIMA-65 H/ROLLER	803*F49*700*F55 RED	2	EA	
Y	607040561	ULTIMA-65 P/ROLLER	760*F12*700*F40 GRAY	2	EA	
	6090202	DC GEARED MOTOR(DM010)	DC 36V 11W	1	EA	
	610010210	TRANSFORMER GM6635A-234	230/36V /1.3A	1	EA	4/25/2002

Y	Code No.	Item	Specification	Qty.	Unit	Effective from
Y	613030151	ULTIMA-65 TIE BAR(PL)	SM45C F10*739	1	EA	
Y	613030161	ULTIMA-65 UP IDLE ROLLER(PL)	SM45C F20*760	1	EA	
Y	613030162	ULTIMA-65 LOW IDLE ROLLER(PL)	SM45C F20*752	1	EA	
Y	613030211	ULTIMA-65 HEX FILM SHAFT(PL)	FE HEX 14*742	2	EA	
	613030301	EAGLE Film Shaft Bushing(PL)	f15.5*f10*11.0	2	EA	
	613030527	EAGLE CORE BUSH BOLT(PL)	FE f8*15*40	4	EA	
	613030537	Film Tension Bolt(PL)	45C*F13.5*30(EAGLE,ULTIMA)	2	EA	
	613030538	P/R Tension Bolt(PL)	M6.0*30EH	2	EA	
	613030539	GBC4265 P/R Support Pin(PL)	SM45C F12*47	2	EA	
	613030540	GBC4265 Auxiliary Gear Support Pin(PL)	SM45C F10*27.5	3	EA	
	613030541	GBC4265 Front Tray Hook Support Pin(PL)	SM45C F10*20	2	EA	
	613030612	GBC4265 Roller Cover Support Pin(PL)	45C*F10*53	1	EA	
	613030613	Front Tray Safety Lever(PL)	45C*F5*92	1	EA	
	613040131	Column Bushing(PL)	F22*12*10	4	EA	
	6380203	START KIT 655Q/EAGLE65(25mm)		2	EA	
	701020209	DRAWN NIDDLE BEARING	HK3016	4	EA	
	701050234	DU BUSHING FRANGE	10*08	6	EA	
	701050240	DU BUSHING FRANGE	12*12	4	EA	
	701070150	ROLLER CHAIN	RS25H(50PCS)/ULTIMA	1	EA	
	701080233	STEEL 1/4CHAIN GEAR	20T*F12/ULTIMA-65	1	EA	
	701080265	STEEL 1/4CHAIN GEAR	12T*F10/ULTIMA-65	1	EA	
	701080266	STEEL 1/4CHAIN GEAR	12T*F12/ULTIMA-65	1	EA	
	701080271	STEEL 1/4CHAIN GEAR	28T*f30/EAGLE H/R	1	EA	
	701090115	ROLLER SPRING	2.0T*20mm	2	EA	
	701090142	EAGLE Film Pipe Spring	3.5T*F26.5*17.5MM	2	EA	
	701090151	Pull Spring	0.7T*30mm	2	EA	
	701090157	Pull Spring	2.5T*30mm	2	EA	
	701090158	Compressed Coil Spring	0.8T*35mm	2	EA	
	701090160	Front Tray Coil Spring	0.8T*30mm	1	EA	
	701090606	SPRING E RING	f7.0mm	2	EA	
	701090832	SPRING PIN	2*15	2	EA	
	701090844	SPRING PIN	4*15	1	EA	
	701091201	R PIN	1.8*32	2	EA	8/12/1999
	701100214	M/S ROUND HEAD M3.0RH	M3.0*14RH WHT	8	EA	
	701100404	M/S ROUND HEAD M5.0RH	M5.0*6RH WHT	2	EA	
	701100410	M/S ROUND HEAD M5.0RH	M5.0*12RH WHT	1	EA	
	701100412	M/S ROUND HEAD M5.0RH	M5.0*15RH WHT	2	EA	
	701100424	M/S ROUND HEAD M5.0RH	M5.0*40RH WHT	2	EA	

Y	Code No.	Item	Specification	Qty.	Unit	Effective from
	701100502	M/S ROUND HEAD M6.0RH	M6.0*8RH WHT	1	EA	
	701100506	M/S ROUND HEAD M6.0RH	M6.0*12RH WHT	3	EA	
	701102004	T/S ROUND HEAD 1CLASS T3.0RH	T3.0*6RH1C WHT	5	EA	
	701104504	T/S FLAT HEAD 2CLASS T4.0FH	T4.0*8FH2C WHT	10	EA	
	701104508	T/S FLAT HEAD 2CLASS T4.0FH	T4.0*12FH2C WHT	1	EA	
	701104803	T/S TRUSS HEAD 2CLASS T3.0TH	T3.0*6TH2C BLK	6	EA	
	701104902	T/S TRUSS HEAD 2CLASS T4.0TH	T4.0*6TH2C WHT	22	EA	
	701104903	T/S TRUSS HEAD 2CLASS T4.0TH	T4.0*8TH2C BLK	11	EA	
	701104907	T/S TRUSS HEAD 2CLASS T4.0TH	T4.0*12TH2C BLK	8	EA	
	701106302	SET SCREW HEXAGON SOCKET M5	M5.0*6SET	6	EA	
	701106603	SET SCREW HEXAGON SOCKET M	M10.0*10SET	2	EA	
	701107205	CAP/B HEXAGON SOCKET HEAD M4	M4.0*10CHS	2	EA	
	701108022	BRASS SCREW M-RH	M4.0*8RH	1	EA	
	701109102	M/S SAMS M4.0RH	M4.0*6RH SPRING WHT	12	EA	
	701109111	M/S SAMS M3.0RH	M3.0*6RH SPRING WHT	4	EA	
	701109117	M/S SAMS M5.0RH	M5.0*55RH SPRING WHT	2	EA	
	701110101	NUT	M3	2	EA	
	701110104	NUT	M6	2	EA	
	703010111	Rubber Foot (ULTIMA-65)	SILICON (f80*12*10)	4	EA	
	703010211	Wire Protection Ring	SILICON f25	2	EA	
	703010332	HOLDER (EAGLE/ULTIMA)	SILICON (6T*38*26)	4	EA	
Y	703020221	ULTIMA65 CONTROL PANEL	PC 174*70.5*36	1	EA	
	703020501	PC CONTROL KEY	PC (STAND BY/YELLOW)	1	EA	
	703020502	PC CONTROL KEY	PC (1MIL/GREEN)	1	EA	
	703020503	PC CONTROL KEY	PC (1.5&3MIL/GREEN)	1	EA	
	703020504	PC CONTROL KEY	PC (FAST/GREEN)	1	EA	
	703020505	PC CONTROL KEY	PC (SLOW/GREEN)	1	EA	
	703020506	PC CONTROL KEY	PC (REVERSE/GREEN)	1	EA	
	703020507	PC CONTROL KEY	PC (RUN/BLACK)	1	EA	
	703020508	PC CONTROL KEY	PC (STOP/BLACK)	1	EA	
	703070101	EAGLE/ULTIMA Friction Panel(Leather)	SKIN 2.0T*f44	4	EA	
	704030416	Cord Plug 250V TUV	3P 1.5/15A(T250)	1	EA	
	704090102	POWER S/W ROCKER	DPDT 250V16A(310B5NR)	1	EA	
	704090313	RUBBER KEY S/W	GBC ULTIMA-65	1	EA	
	704090414	MICRO SWITCH(ULTIMA)	250V/15A(VP-531A-1H)3	3	EA	
	704090415	MICRO SWITCH(ULTIMA)	250V/15A(VP-531A-2H)1	1	EA	
	704091045	CIRCUIT BREAKER	W28-XQ1A,10A	1	EA	
	704140403	CORD STOPPER	7NR-32	1	EA	

Y	Code No.	Item	Specification	Qty.	Unit	Effective from
	704140601	CABLE TIE	100mm	15	EA	
	704150107	BI-METAL THERMOSTAT	120 DEG(PW2N)	1	EA	
	704161705	WIRE ASS'Y ULTIMA65	UL1015#18(ORG/ORG)L370/240-M5557-R187	2	EA	
	704161706	WIRE ASS'Y ULTIMA65	UL1015#20(BRN/BRN)L670/570-M5557-R187	2	EA	
	704161707	WIRE ASS'Y ULTIMA65	UL1015#20(ORN)L200-R187	1	EA	
	704161708	WIRE ASS'Y ULTIMA65	UL1015#20(BRN)L150-R187	1	EA	
	704161709	WIRE ASS'Y ULTIMA65	UL1015#14(BLK)L100-R250	1	EA	
	704161710	WIRE ASS'Y ULTIMA65	UL1015#14(BLK)L520-R250	1	EA	
	704161711	WIRE ASS'Y ULTIMA65	UL1015#14(WHT)L520-R250	1	EA	
	704161715	WIRE ASS'Y ULTIMA65	UL3068#16(BLK)L1350-R1.25	1	EA	
	704161720	WIRE ASS'Y ULTIMA65	UL3068#16(BLK)L500-R1.25	1	EA	
	704161722	WIRE ASS'Y ULTIMA65	UL 1015#20(RED/BLK)L600-M5559-M5557	1	EA	4/26/2002
	704161723	WIRE ASS'Y ULTIMA65	UL2464#26(7C+SH)L1500-M5264-M5264	1	EA	4/26/2002
	704161724	WIRE ASS'Y ULTIMA65	UL1015#16(WHT)L400-SOLD-R250	1	EA	4/26/2002
	704161725	WIRE ASS'Y ULTIMA65	UL1015#16(BLK)L400-SOLD-R250	1	EA	4/26/2002
	704161726	WIRE ASS'Y ULTIMA65	UL2464#26(4C+SH)L200-SMH250-SMP025	1	EA	4/26/2002
	704161803	WIRE ASS'Y EAGLE	UL3068#16(WHITE)L70-R3.2	1	EA	4/26/2002
	705031302	FERRITE EMI FILTER	FM-215S/15A	1	EA	
	705200201	INFRARED SENSOR	TPML1-710	1	EA	4/25/2002
Y	706011108	PCB ASS'Y PATRIOT 25E MAIN	PA/UL65 M	1	SET	4/26/2002
Y	706011113	PCB ULTIMA65 DISPLAY	4PK-G4265 D	1	SET	
Y	706025028	ULTIMA65 INFRARED HEATER	16.0 OHM F15.5*785	2	SET	
Y	706111049	EAGLE BACK TRIMMER ASS'Y	EAGLE/DOLPHIN/DISCOVERY	1	SET	4/18/2001
	801010812	C/T BOX (ULTIMA-65)	970*575*395	1	EA	
	8010422	Styrofoam ULTIMA65	695*465*305	1	SET	
	801050815	Manual ULTIMA65	210*150*8PAGE(ENGLISH)	1	EA	
	802104002	S/W NAME PLATE ULTIMA65	GRAY PC 0.25T*168*63	1	EA	
	803030350	GBC Specification Sticker	ULTIMA65 230V50	1	EA	
	803040323	WARNING STICKER	WARNING SHOCK HAZARD	1	EA	
	803040325	WARNING STICKER	SHARP BLADE	1	EA	
	803040327	WARNING STICKER	HOT ROLLS PINCH POINT	1	EA	
	803040329	WARNING STICKER	DO NOT OPERATE	2	EA	