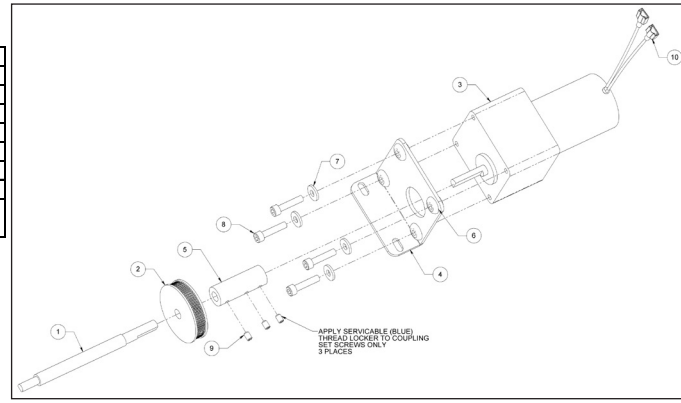


# martin yale® GC10 Gutter-Cut Parts List & Diagrams

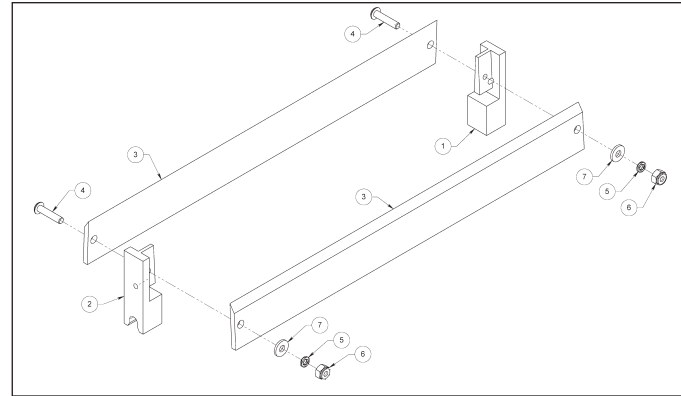
## Cross-Cut Motor Assembly

ITEM	PART NUMBER	DESCRIPTION	QTY
1	M-S021086	12VDC 100RPM GEARMOTOR	1
2	R-A-W-OGCX108	B/O CROSS CUT MOTOR MOUNT	1
3	R-A-W-OGCX112	B/O CROSS CUT COUPLING	1
4	W-OGCX074	B/O CROSS CUT MOTOR SHAFT	1
5	M-S022169	PULLEY, MXL PITCH, 72T, 8MM BORE	1
6	M-S003133	M5 X 10 SHCS	4
7	M-S002005	8-32X1/4SOCK.CUP PT	3
8	M-S028011	1/4" QUICK CONNECT TERMINAL, FULLY INSULATED FEMALE, 18-22 GA.DOUBLE CRIMP	2



## Cross-Cut Blade Assembly

ITEM	PART NUMBER	DESCRIPTION	QTY
1	W-NGCX089	MILL STRAIGHT BLADE BLOCK - REAR	1
2	W-NGCX090	MILL STRAIGHT BLADE BLOCK - FRONT	1
3	M-OGCX043	CROSS CUT BLADE	2
4	M-S003135	10-32X0.875 BHCS	2
5	M-S031114	WAVE SPRING, 0.265ID X 0.367OD X 0.03HGT, STEEL	2
6	M-S007040	10-32 ELAS NUT	2
7	M-S008005	10 SAE FLAT WASHER	2



## Drawer Assembly

ITEM	PART NUMBER	DESCRIPTION	QTY
1	W-BGCX061	FORM DRAWER	1
2	W-OGCX063	PEM DRAWER COVER	1
3	W-NGCX096	CNC DRAWER SLIDE BUTTON	6
4	M-S037380	PADDING PRESS HANDLE	1
5	M-S001169	#8 X 1/2 PHILLIPS PAN HEAD TYPE B, ZINC PLATE	2
6	M-S007006	8-32 HEX (KEPS) KL LOCKNUT, BRIGHT ZINC PLATE	4
7	M-S004091	#10 X 3/8 PAN HEAD TYPE B-Z/P	6

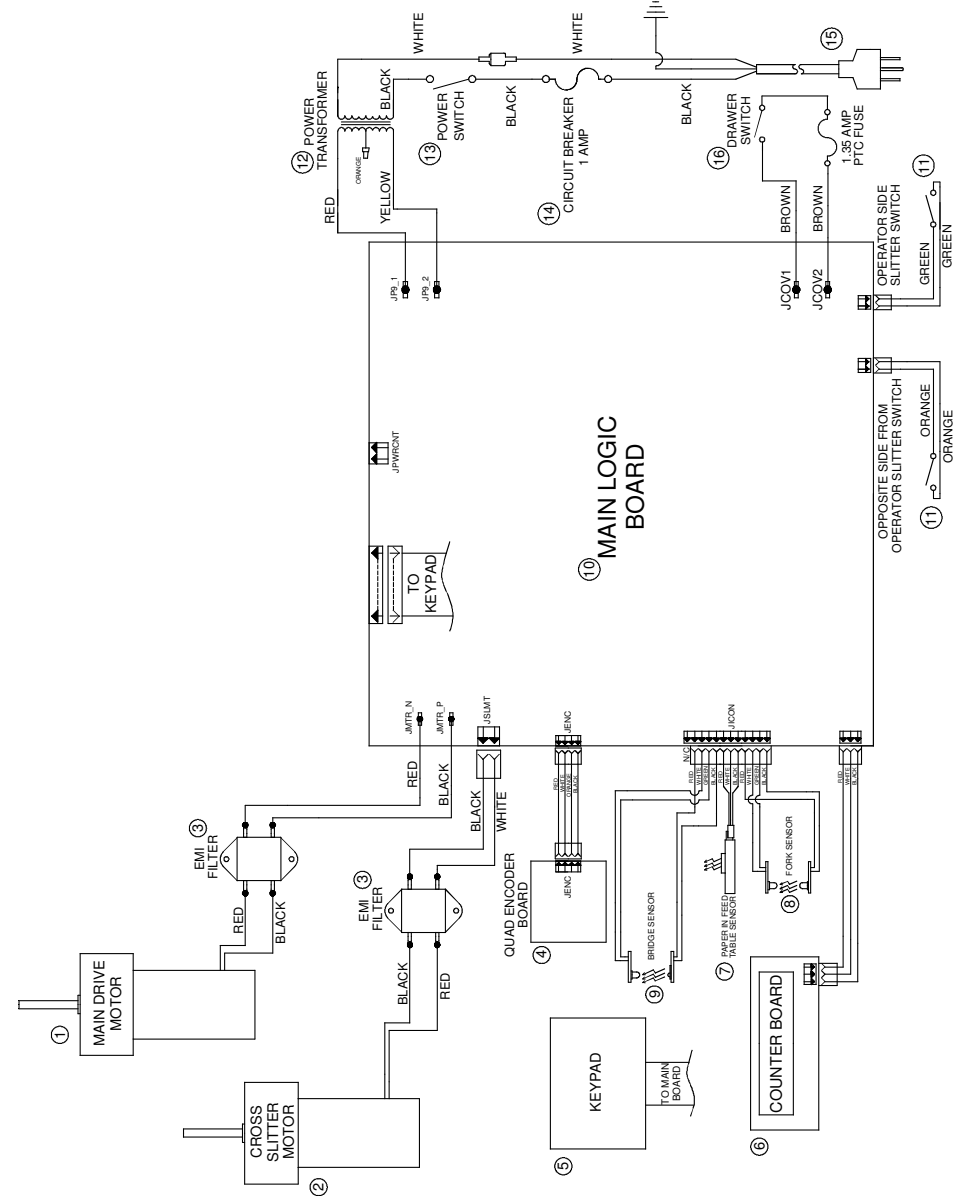
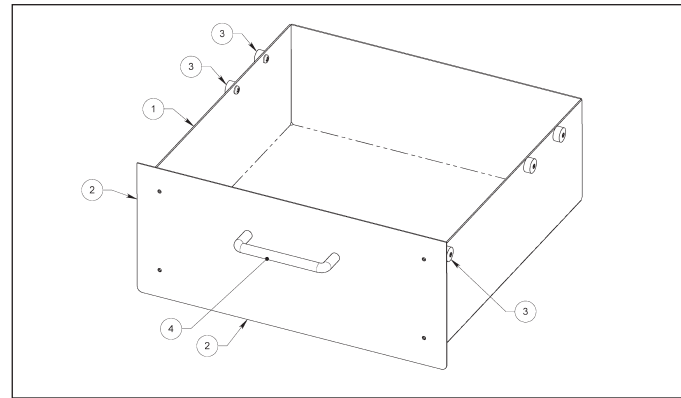


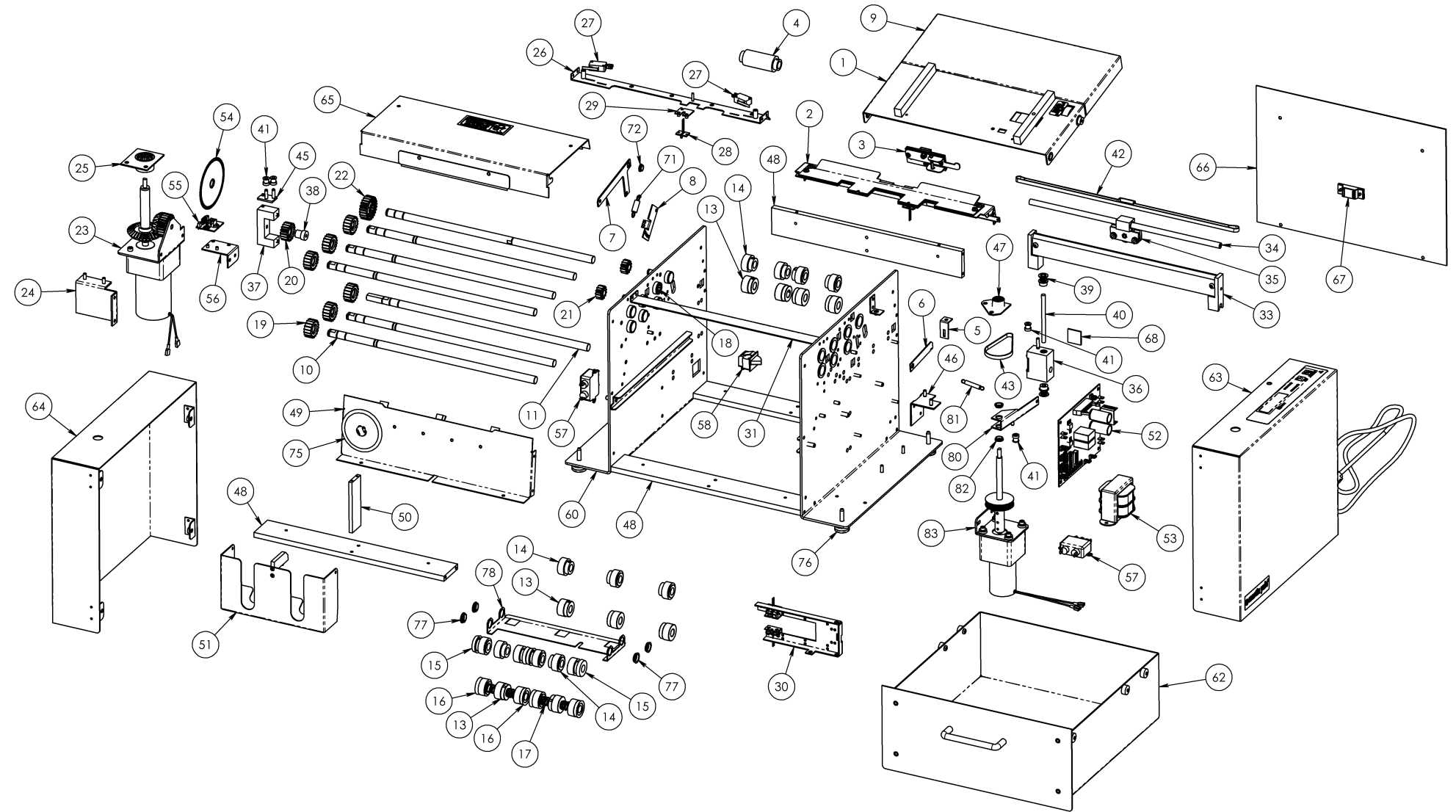
FIG.	PART No.	DESCRIPTION	QTY.
1	M-S021087	KYSAN 24VDC MOTOR	1
2	M-S021086	12VDC 100RPM GEARMOTOR	1
3	M-S045154	RFI POWER FILTER	2
4	M-OGCX092	GC10 QUAD ENCODER PCB	1
5	M-OGCX059	GC10 KEYPAD PCB	1
6	M-S045314	24VDC COUNTER PCB	1
7	M-S045285	SENSOR RT RO REFLECT	1
8	WRAGCX037-1	GC10 CARD HEIGHT SENSOR SET	1
9	WRAGCX037-3	GC10 LEADING EDGE SENSOR SET	1
10	M-OGCX057	GC10 MAIN PCB	1
11	M-S033040	MICROSWITCH	2
12	M-S045332	GC10 18VAC TRANSFORMER	1
13	M-S033053	SPST ROCKER SWITCH I/O	1
14	M-S045237	1 AMP CIRCUIT BREAKER	1
15	M-S037020	18/3 SV CORD 8FT. LG.	1
16	M-S033038	HOOD INTERLOCK SWITCH	1

GC10 Wiring Diagram



251 Wedcor Avenue, Wabash IN 46992  
Phone: (260) 563-0641 • Fax: (260) 563-4575  
Website: www.martinyale.com • Email: info@martinyale.com

ITEM	PART NUMBER	DESCRIPTION	QTY.
1	W-OGCX004	FEED TABLE ASSEMBLY	1
2	W-OGCX109	FEED BRIDGE ASSY	1
3	W-OGCX114	GC-10 RETARDER ASSEMBLY	1
4	W-OGCX017	MOLD FEED ROLLER	1
5	W-BGCX010	FORM RETARDER ADJUSTMENT BRACKET	1
6	W-BGCX011	PUNCH RETARDER BELLCRANK	1
7	W-OGCX015	B/O FEED TABLE SPRING PLATE	1
8	W-BGCX016	FORM SPRING ANCHOR PLATE	1
9	W-BGCX018	FORM FEED TABLE EXTENSION	1
10	W-NGCX019	CNC ROLLER SHAFT	5
11	W-OGCX020	B/O ENCODER SHAFT	1
12	W-NGCX021	CNC FEED SHAFT	1
13	W-NGCX080	CNC PRESSURE ROLLER	9
14	W-OGCX025	GRIND PINCH ROLLER	9
15	W-OGCX027	GRIND SLITTER BLADE RUBBER	4
16	W-OGCX028	GRIND SLITTER BLADE LOWER RUBBER	4
17	M-S031091	COMPRESSION SPRING	4
18	M-S020824	RLR BRNG 0.5ID X 0.6875OD X 0.500WIDE	1
19	M-O380093	SPEC. 18T GEAR	6
20	M-OGCX029	GEAR, 18T 20 DEG PA	1
21	M-OGCX030	IDLER GEAR, 13T 20PA	2
22	W-AGCX031	FEED CLUTCH GEAR ASSY	1
23	W-AGCX031	GC10 MAIN MOTOR ASSEMBLY	1
24	W-OGCX105	PEM SUPPORT SHAFT BRACKET	1
25	W-OGCX106	PRESS SHAFT SUPPORT BEARING PLATE	1
26	W-OGCX036	PEM LIMIT SWITCH BRACKET (STUD)	1
27	M-S033040	MICROSWITCH	2
28	M-OGCX037-2	PAPER SENSOR - DETECTOR	1
29	W-OGCX038	PEM 1ST PAPER SENSOR MOUNT PLATE	1
30	W-OGCX039	2ND SENSOR MOUNT FORK ASSY	1
31	W-OGCX040	PEM 2ND SENSOR ADJUSTMENT PLATE	1
32	W-BGCX041	FORM 2ND SENSOR PIVOT BRACKET	1
33	W-OGCX043	CROSS CUT BLADE ASSY	1
34	W-OGCX045	B/O CROSS CUT DRIVE SHAFT	1
35	W-OGCX050	ROTARY BLADE ASSEMBLY	1
36	W-OGCX047	BEARING BLOCK ASSEMBLY	1
37	W-OGCX048	ROTARY IDLER BLOCK ASSEMBLY	1
38	W-OGCX049	B/O IDLER TUBE	1
39	M-S022170	18 TOOTH MXL PULLEY, 1/4 BORE, DOUBLE FLANGE	2
40	W-OGCX051	B/O CROSS CUT DRIVE SHAFT	1
41	M-O1701131	PULLEY MXL IDLER	4
42	M-S025390	BELT, MXL 431T X .25 WIDE	1
43	M-S025004	105T MXL BELT 1/4"W	1
44	W-OGCX051	CROSS CUT MOTOR ASSEMBLY	1
45	W-OGCX093	PEM CROSS CUT BELT TENSIONER	1
46	W-OGCX098	PEM SHAFT SUPPORT MOUNT BRACKET	1
47	W-OGCX099	PRESS SHAFT SUPPORT PLATE	1
48	W-NGCX060	CNC CROSS BAR	4
49	W-OGCX053	BACK GUARD ASSEMBLY	1
50	W-OGCX078	ANODIZE CATCH TRAY RISER	1
51	W-AGCX056	CATCH TRAY ASSEMBLY	1
52	M-OGCX057	GC-10 MAIN CONTROLLER	1
53	M-S045332	TRANSFORMER - HAMMOD C13H	1
54	W-OGCX071	STAKE ENCODER DISK	1
55	M-OGCX092	QUAD ENCODER PCB	1
56	W-OGCX069	PEM ENCODER BRACKET	1
57	M-S045154	RFI POWER LINE FILTER	2
58	M-S033080	HOOD INTERLOCK SWITCH	1
59	W-OGCX068	RIVET FRONT FRAME	1
60	W-OGCX070	PRESS BACK FRAME BUSHINGS	1
61	W-OGCX075	PEM DRAWER TRACK	2
62	W-OGCX061	DRAWER ASSEMBLY	1
63	W-OGCX065	FRONT COVER ASSEMBLY	1
64	W-OGCX066	P/C BACK COVER	1
65	W-WGCX064	S/W TOP COVER	1
66	W-OGCX067	PEM SIDE COVER	1
67	M-S037432	MAGNETIC CATCH	1
68	M-S045005	ADHESIVE TIE BLOCK - HEYMAN #MP-A	1
71	M-S031013	EXTENSION, LEE SPRING PN LE-049D-5	1
72	M-S014064	IGUS MCH-05-01	1
75	M-O001481	DE-JAMMING HANDLE	1
76	M-S63751408	GLIDE #450T-04102	4
77	M-S014030	1/2 IGLIDE CLIP BRG	4
78	W-OGCX107	P/C UPPER PAPER GUIDE	1



### Main Motor Assembly

ITEM	PART NUMBER	DESCRIPTION	QTY.
1	M-S021087	MOTOR	1
2	M-S028011	1/4" QUICK CONNECT TERMINAL, FULLY INSULATED FEMALE, 18-22 GA., DOUBLE CRIMP	2
3	W-OGCX034	PEM MAIN MOTOR MOUNT	1
4	W-NGCX082	CNC MITER GEAR IDLER	1
5	M-OGCX032	BEVEL-SPUR COMBO GEAR	1
6	W-OGCX033	INSERT MOLDED BEVEL GEAR	1
7	M-S003133	M5 X 10 SHCS	4
8	M-S010006	WALDES #5133-50, EXTERNAL 'E' RING	2
9	M-S002002	6-32 X 1/4 CUP POINT	1

