

H. Wilson W42AE Black Adjustable Height 3- Shelf Steel A/V Cart

Instruction Manual



Provided by

MyBinding.com

When Image Matters.

Call Us at 1-800-944-4573

Parts List

Tools Required

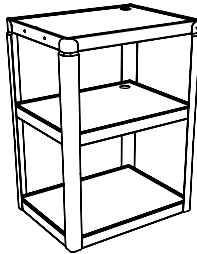
- Rubber Mallet

Fixed Height Metal Cart

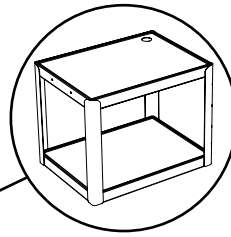
Instructions

AV42, AV34, AV26,
W42, W34, W26

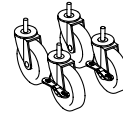
Non-slip mat



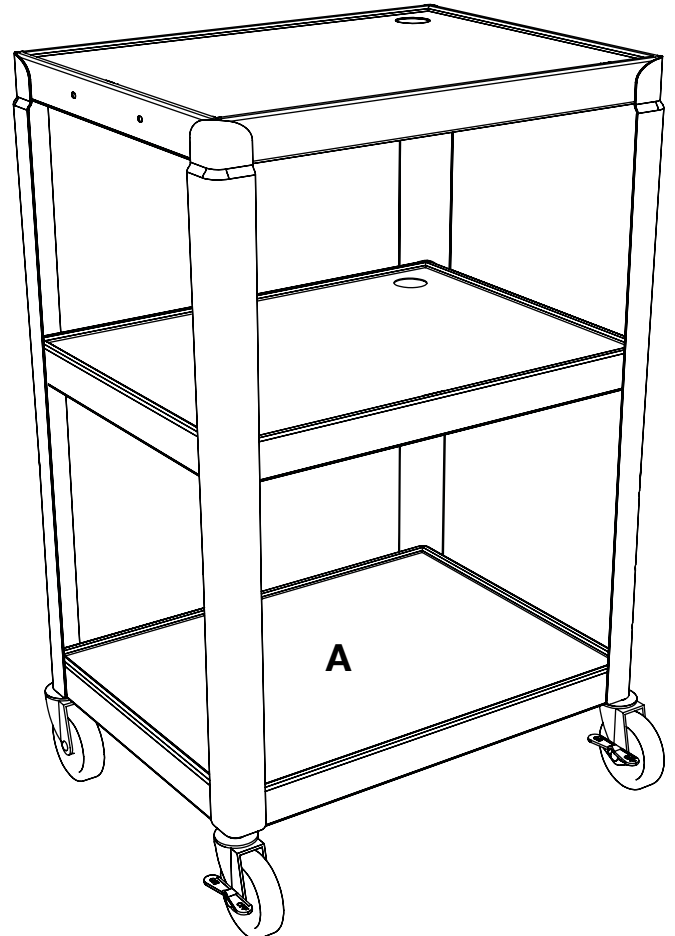
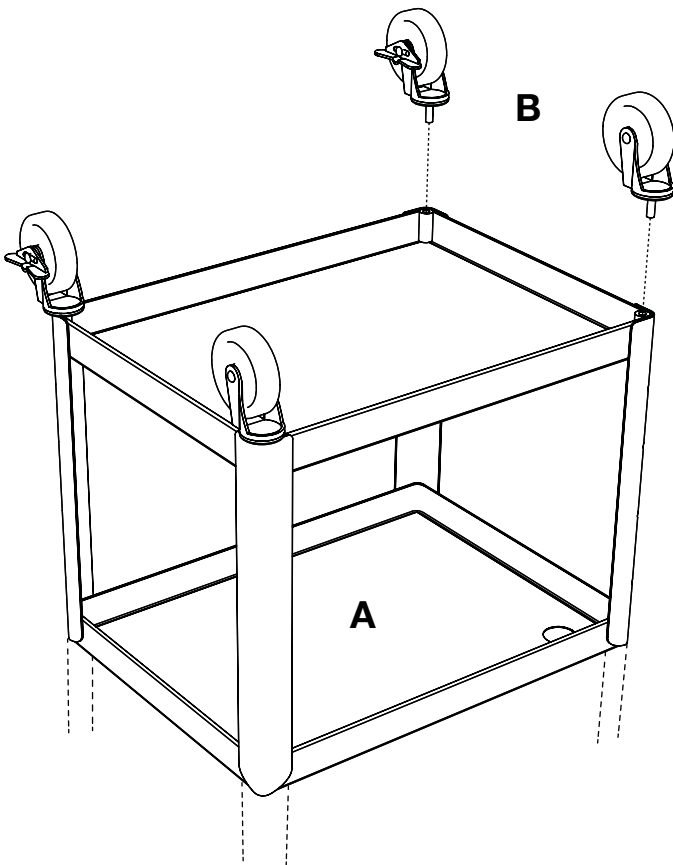
A x1



Optional cart with
two shelves



B x4



1

Position the cart frame **A** so that the caster holes are facing up. Insert caster **B** into the caster holes on the bottom of **A**. Use a mallet to set the casters properly.

2

Flip cart frame **A**. Place Non-slip mat on desired shelf. The cart is now complete.