

***H. Wilson W42AYE  
Yellow Adjustable Height  
3-Shelf Steel A/V Cart***

Instruction Manual



*Provided by*

**MyBinding.com**  
*When Image Matters.*

Call Us at 1-800-944-4573

## Parts List

## Tools Required

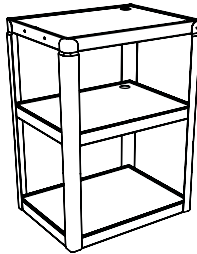
- Rubber Mallet

## Fixed Height Metal Cart

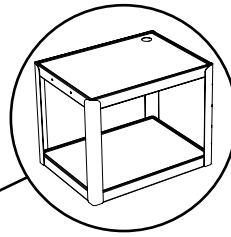
### Instructions

AV42, AV34, AV26,  
W42, W34, W26

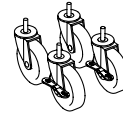
Non-slip mat



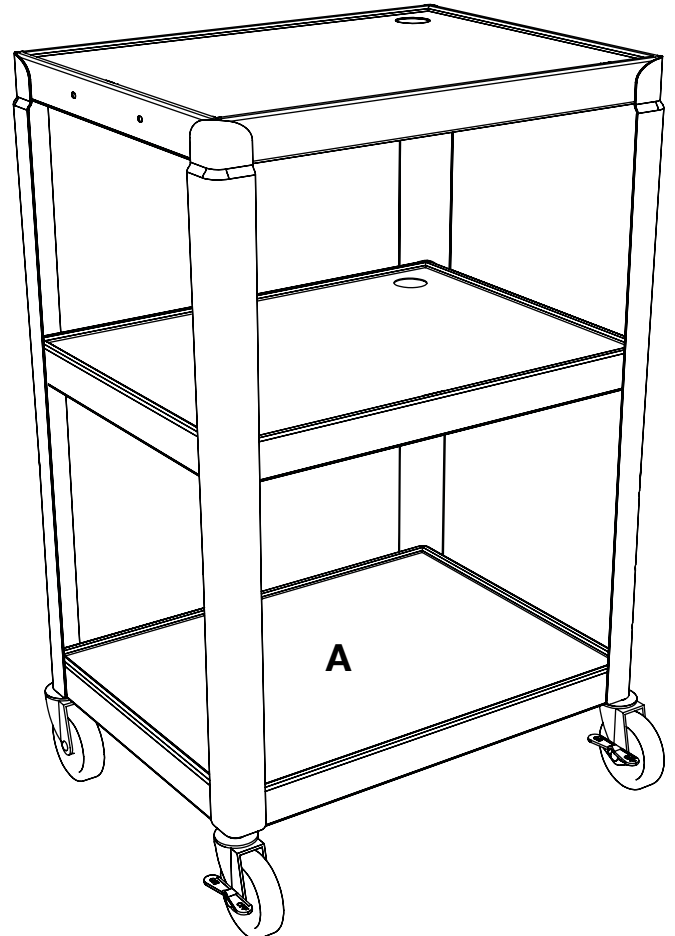
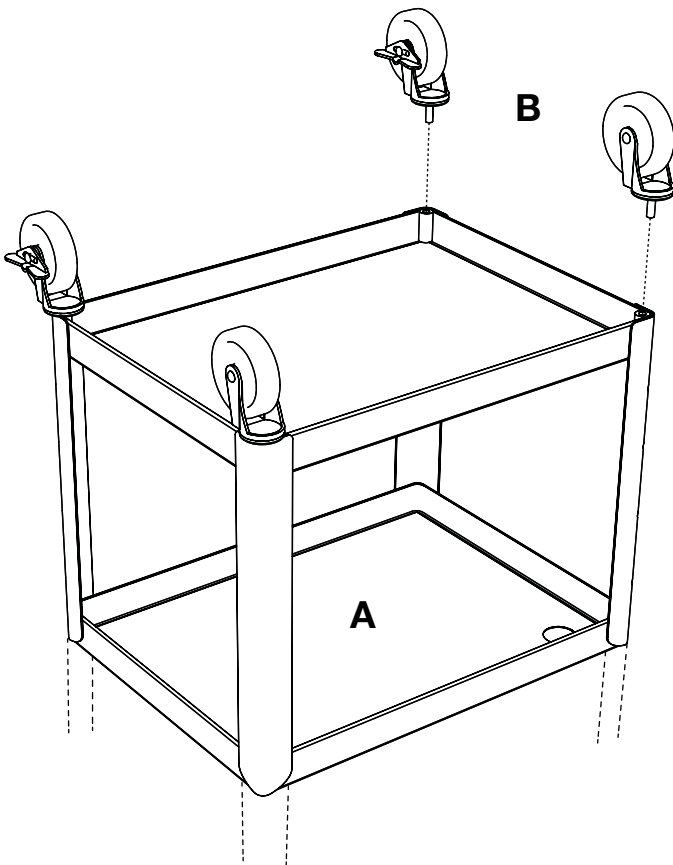
**A** x1



Optional cart with  
two shelves



**B** x4



**1**

Position the cart frame **A** so that the caster holes are facing up. Insert caster **B** into the caster holes on the bottom of **A**. Use a mallet to set the casters properly.

**2**

Flip cart frame **A**. Place Non-slip mat on desired shelf. The cart is now complete.