

H. Wilson WPS4CE Mobile Presentation Station with Cabinet and 4 Shelves

Spec Sheet



Provided by

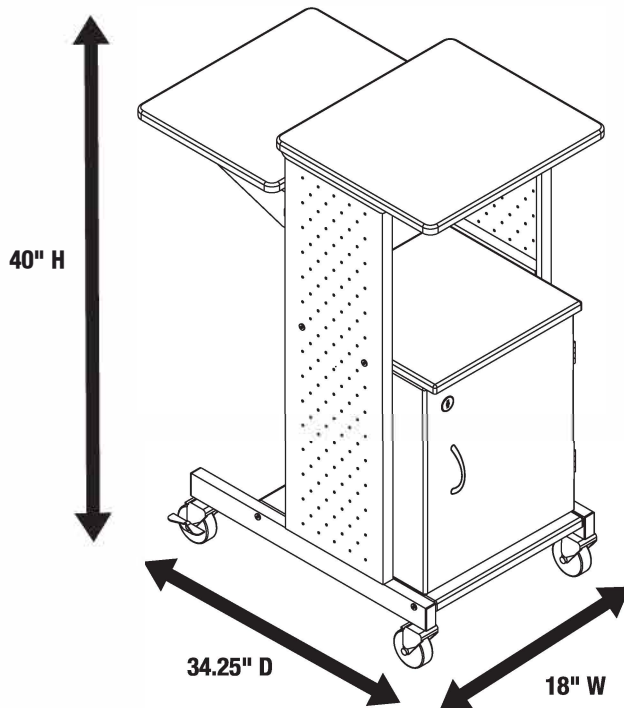
MyBinding.com
When Image Matters.

Call Us at 1-800-944-4573

WPS4CE - MOBILE PRESENTATION STATION WITH CABINET

Product Specifications:

Item Number	WPS4CE
Frame Material	Steel
Frame Color	Black
Shelf Material	MDF with PVC surface
Shelf Color	Light Gray
Overall Dimensions	34.25"W x 18"D x 40"H
Weight	60.6 lbs.
Top Shelf Dimensions	16" x 18"
Middle Shelf 1 Dimensions	18.5" x 18"
Middle Shelf 2 Dimensions	15" x 14.25"
Bottom Shelf Dimensions	24.6" x 15"
Interior Cabinet Dimensions	13.4"W x 13.3"D x 18.3"H
Electric Included	Yes, 3-outlet 120V/15A power strip with 15' cord
Casters	Four 3" casters; two casters include locking brakes
Weight Capacity	110 lbs. evenly distributed
Ship Method	Ground
Shipping Carton Dims	Box 1: 36.6"W x 28.1"D x 4.3"H Box 2: 21.4"W x 19.1"D x 3"H
Shipping Weight	Box 1: 52 lbs. Box 2: 16 lbs.
Assembly Required	Yes



LUXOR

INNOVATIVE WORKSPACE PRODUCT SOLUTIONS