

***H. Wilson WPS4E  
Mobile Presentation  
Station with 4 Shelves***

Spec Sheet



*Provided by*

**MyBinding.com**

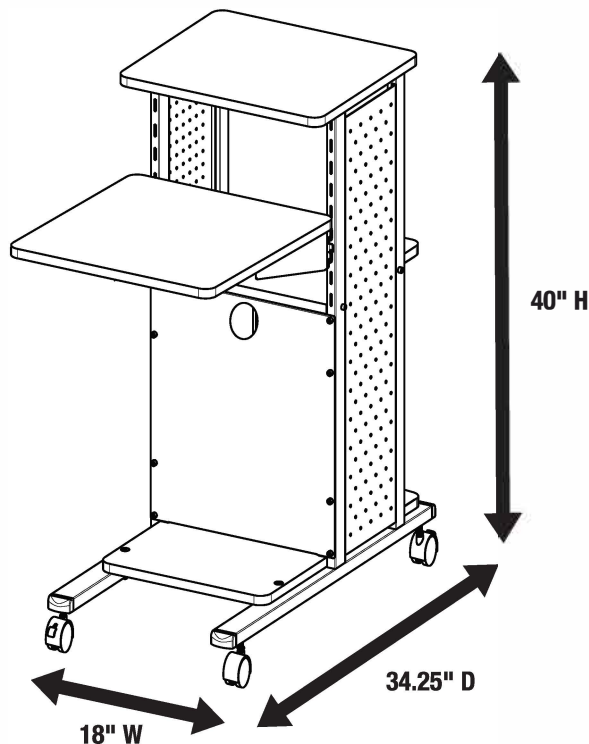
*When Image Matters.*

Call Us at 1-800-944-4573

# WPS4E - MOBILE PRESENTATION STATION

**Product Specifications:**

Item Number	WPS4E
Frame Material	Steel
Frame Color	Black
Shelf Material	MDF with PVC surface
Shelf Color	Light Gray
Overall Dimensions	34.25"W x 18"D x 40"H
Weight	46.3 lbs.
Top Shelf Dimensions	16" x 18"
Middle Shelf 1 Dimensions	18.5" x 18"
Middle Shelf 2 Dimensions	15" x 14.25"
Bottom Shelf Dimensions	24.6" x 15"
Electric Included	Yes, 3-outlet 120V/15A power strip with 15' cord
Casters	Four 3" casters; two casters include locking brakes
Weight Capacity	110 lbs. evenly distributed
Ship Method	Ground
Shipping Carton Dims	36.6"W x 28.1"D x 4.3"H
Shipping Weight	52 lbs.
Assembly Required	Yes



**LUXOR**  
 INNOVATIVE WORKSPACE PRODUCT SOLUTIONS