

***H. Wilson WPSMS51
37" - 60" LCD TV Mount
Mobile Stand***

Instruction Manual

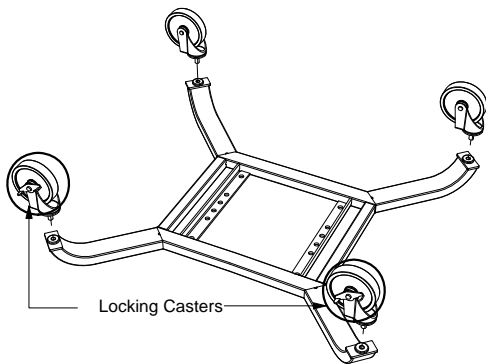


Provided by

MyBinding.com
When Image Matters.

Call Us at 1-800-944-4573

Mobile Flat Panel TV Stand & Mount Instructions



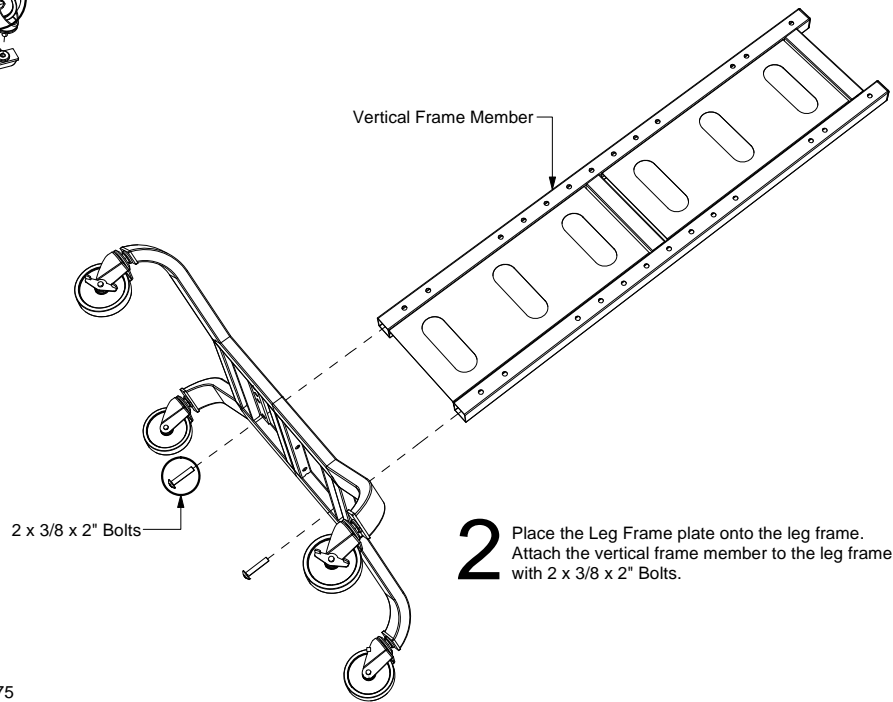
Part List:

- 1 x Vertical Upper Bracket
- 1 x Leg Frame
- 2 x Lower Support Bracket
- 2 x Shelf Bracket
- 1 x Shelf
- 1 x Caster Set (2 w/ Brake)

Hardware List:

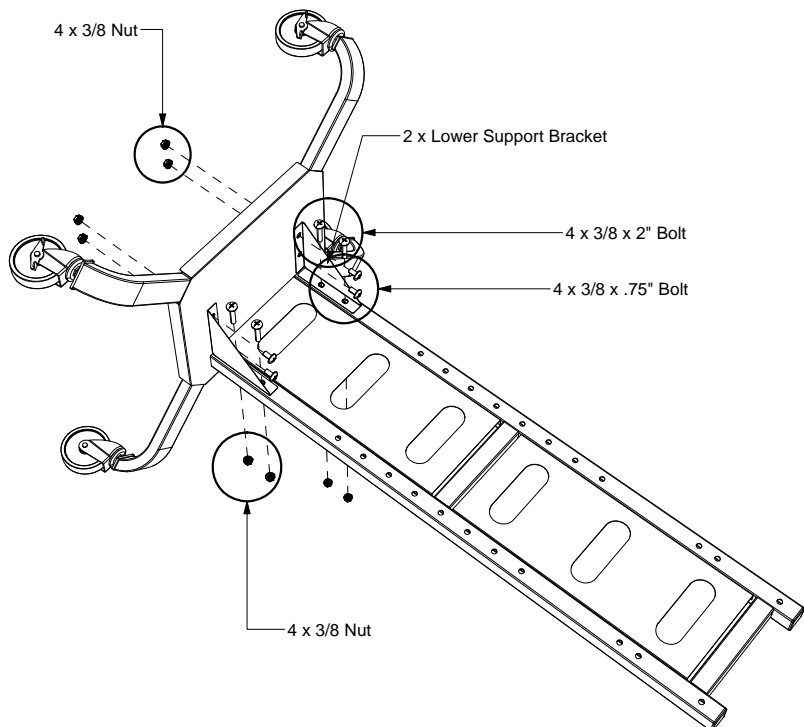
- 4 x 3/8 x .75" Bolts
- 14 x 3/8 x 2" Bolts
- 16 x 3/8 Nuts
- 4 x .5" Self Tapping Screws

1 Attach the casters to the leg frame.

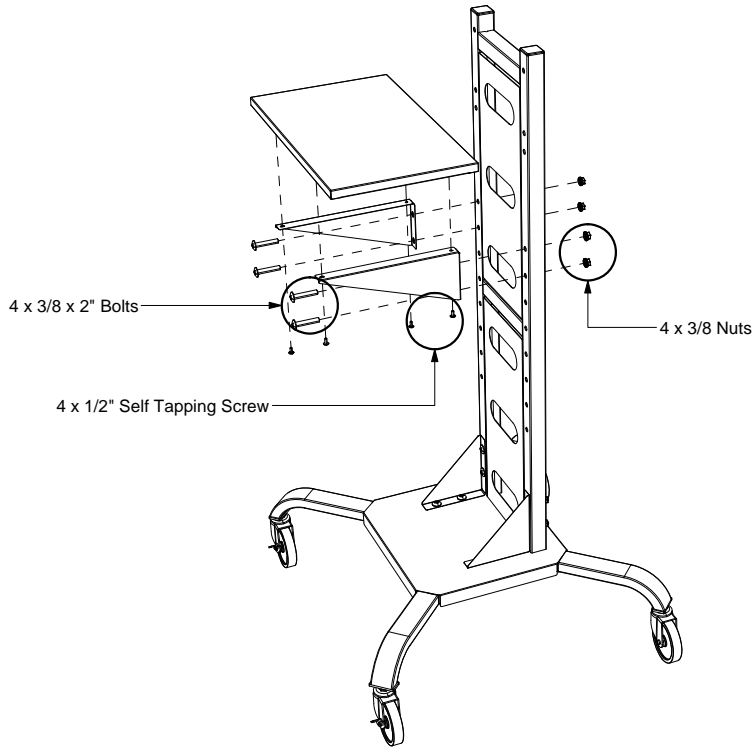


2 Place the Leg Frame plate onto the leg frame. Attach the vertical frame member to the leg frame with 2 x 3/8 x 2" Bolts.

3 Install the Lower Support Brackets with 4 x 3/8 x 2" Bolts and 4 x 3/8 Nuts to the vertical support member, and 4 x 3/8 x .75" and 4 x 3/8 Nuts to the leg frame.



4 Attach the Shelf to the shelf brackets with 4 x Self Tapping Screws
Attach the Shelf Assembly to the Vertical Support Member with 4 x 3/8 x 2" Bolts and 4 x 3/8 Nuts.



5 Attach the WFST BRACKET to the assembled unit with 4 x 3/8 x 2" bolts and 4 x 3/8 Nuts.
Follow the instructions included in the WFST Bracket box to mount the TV.

