

***H. Wilson WT26C2E Black 24.5"
High Tuffy Utility A/V Cart with
Cabinet (2-Shelf Black Legs)***

Instruction Manual



Provided by

MyBinding.com

When Image Matters.

Call Us at 1-800-944-4573

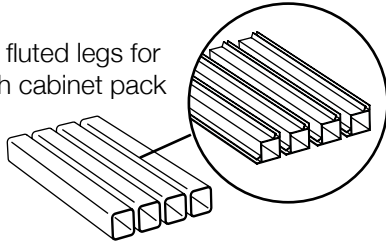
www.luxorfurn.com
www.hwilson.com

Parts List

Tools Required

- Rubber Mallet

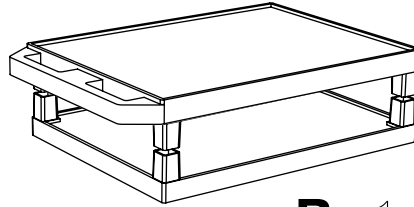
Optional fluted legs for units with cabinet pack



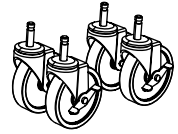
NOTICE:
Leg lengths may vary by model

F x4

A x1

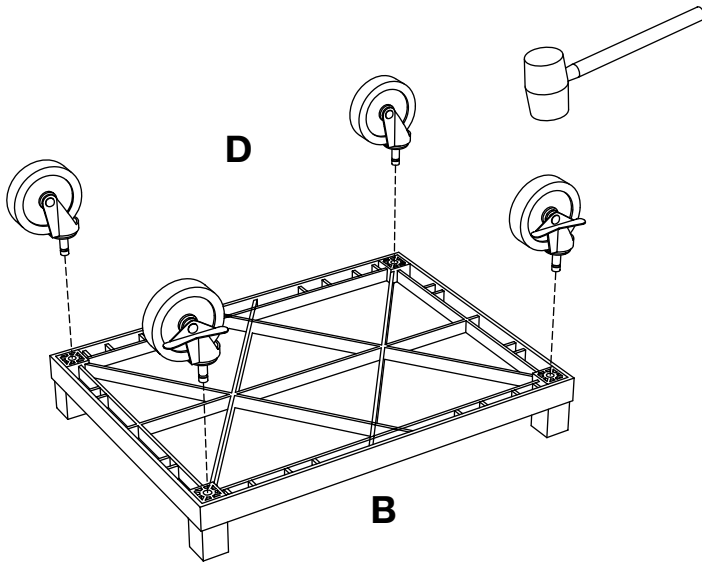


B x1



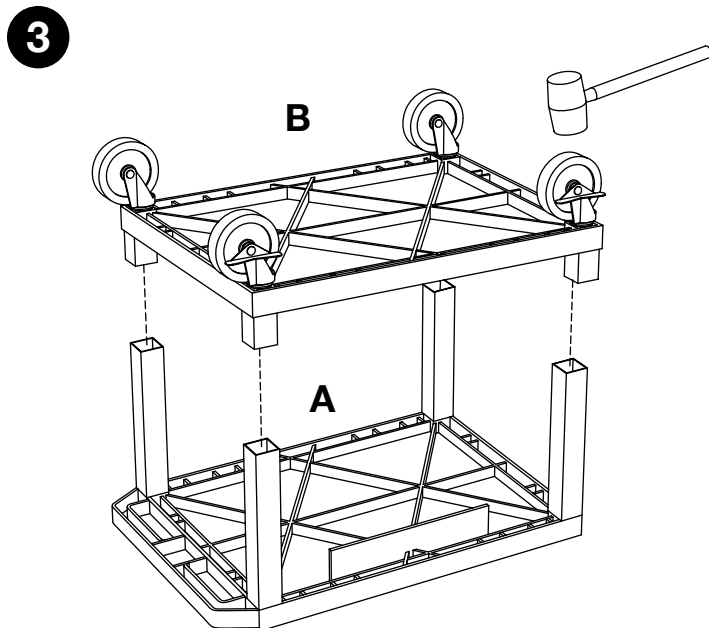
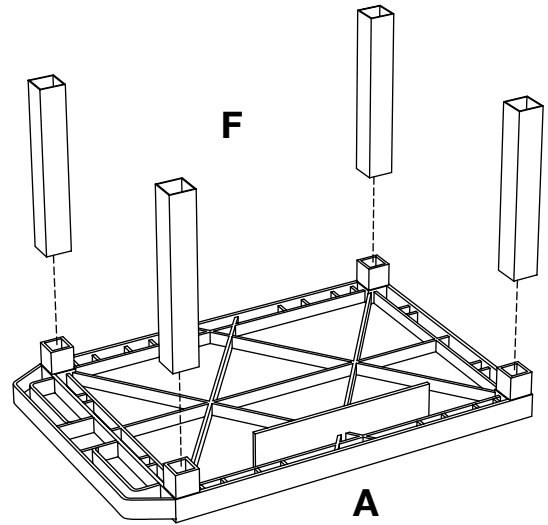
D x4

1

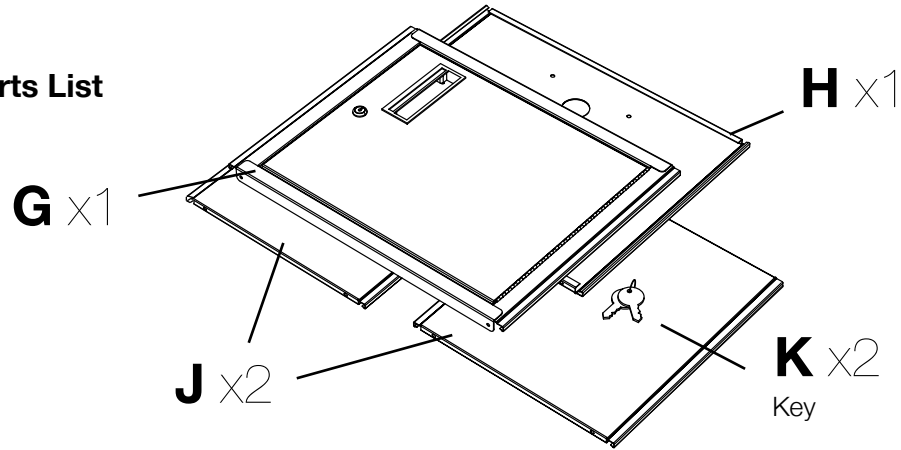


2

Install optional cabinet pack assembly after step 1



Parts List



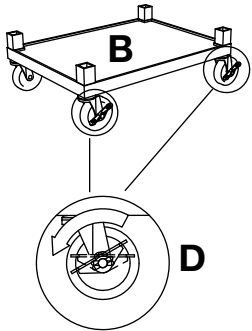
Tools Required

- Rubber Mallet

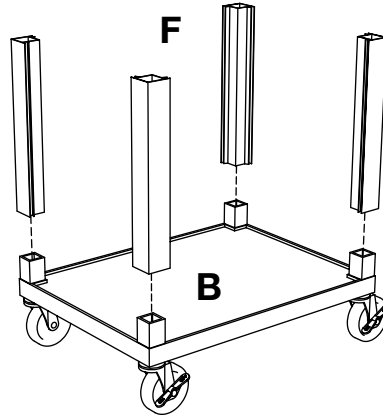
Tuffy Cart Cabinet Pack Instructions

Please consult your Tuffy cart base unit instructions before starting

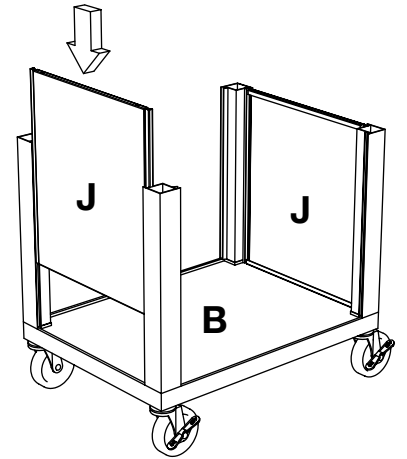
- 1** **IMPORTANT:** Flip shelf **B**, and lock the 2 locking casters **D** before assembling the unit.



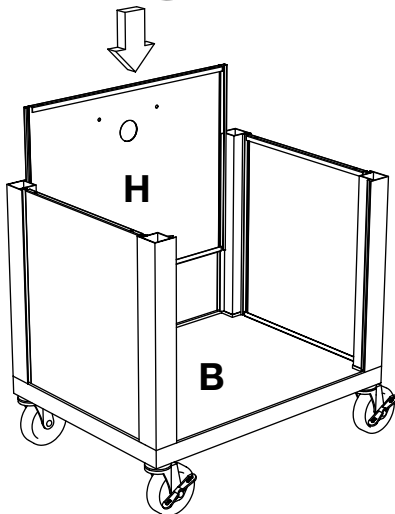
2



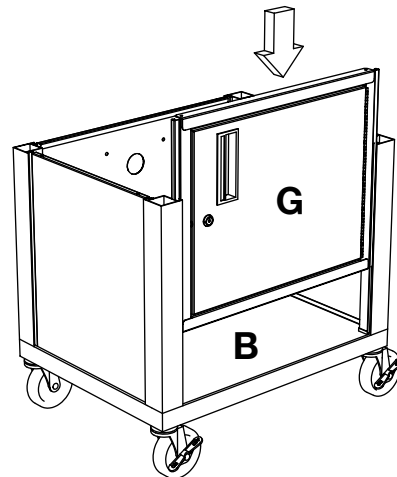
3



4



5



6

