

***H. Wilson WT26E Black  
24.5" High Tuffy Utility A/V  
Cart (2-Shelf Black Legs)***

Instruction Manual



*Provided by*

**MyBinding.com**

*When Image Matters.*

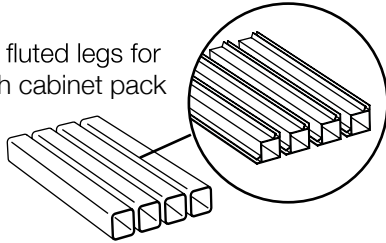
Call Us at 1-800-944-4573

### Parts List

### Tools Required

- Rubber Mallet

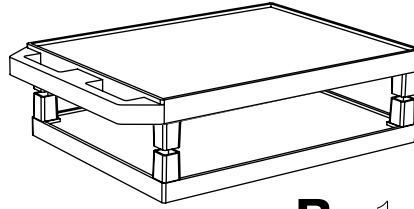
Optional fluted legs for units with cabinet pack



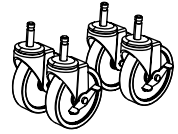
**NOTICE:**  
Leg lengths may vary by model

**F** x4

**A** x1

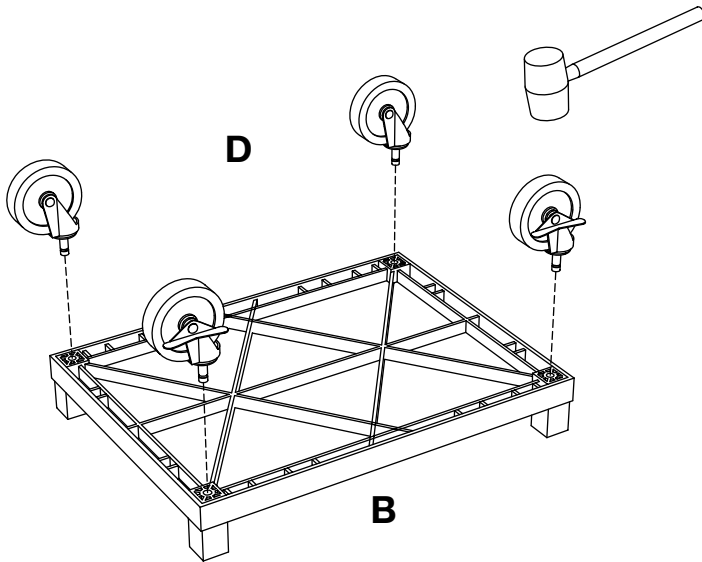


**B** x1



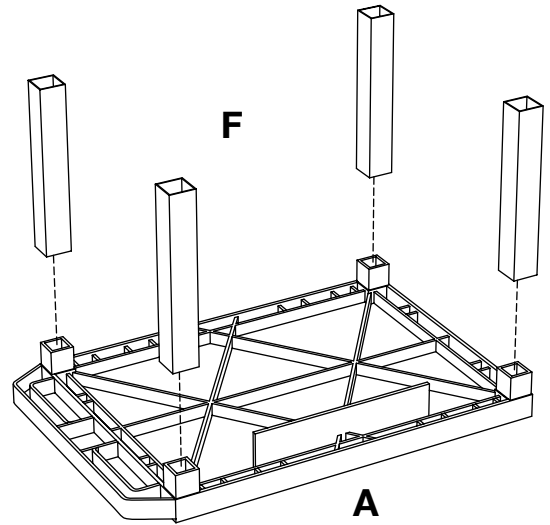
**D** x4

**1**

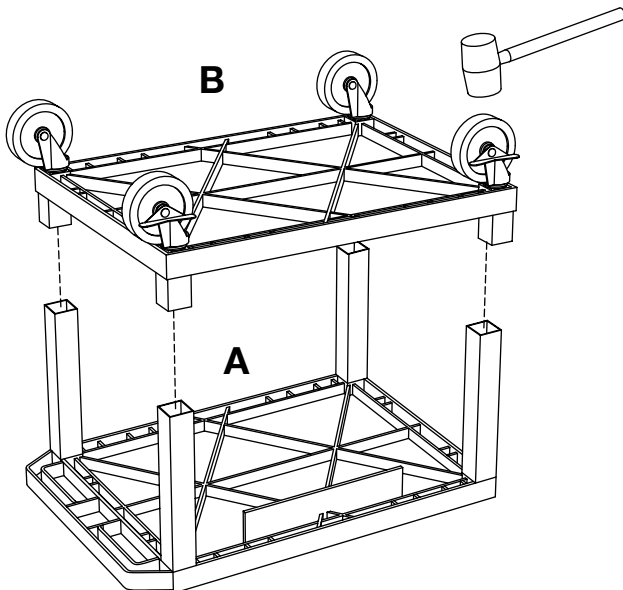


**2**

Install optional cabinet pack assembly after step 1



**3**



**4**

