

***H. Wilson WT26GYC4E-N Gray
24.5" High Tuffy Utility A/V
Cart with Cabinet
(2-Shelf Nickel Legs)***

Instruction Manual



Provided by

MyBinding.com

When Image Matters.

Call Us at 1-800-944-4573

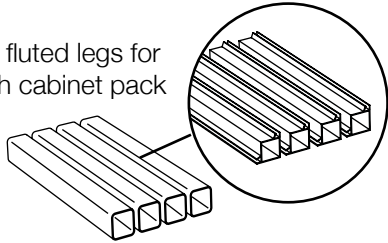
www.luxorfurn.com
www.hwilson.com

Parts List

Tools Required

- Rubber Mallet

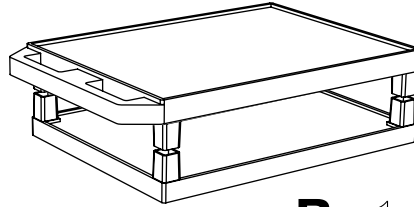
Optional fluted legs for units with cabinet pack



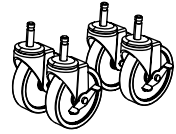
NOTICE:
Leg lengths may vary by model

F x4

A x1

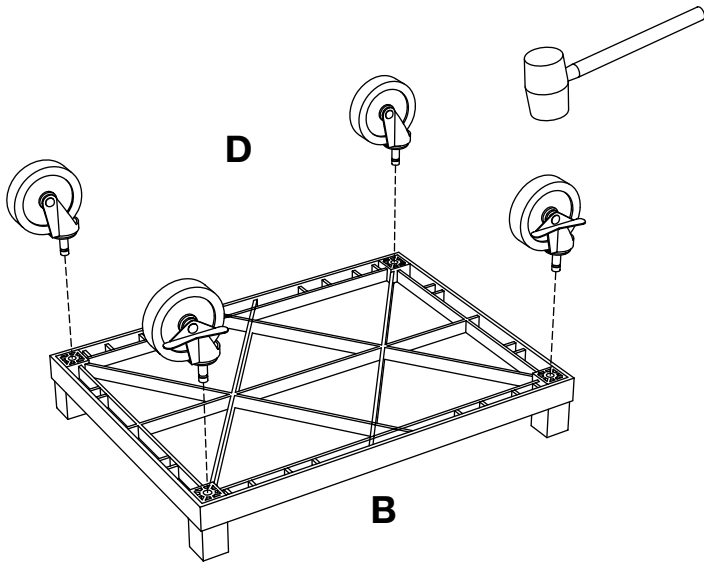


B x1



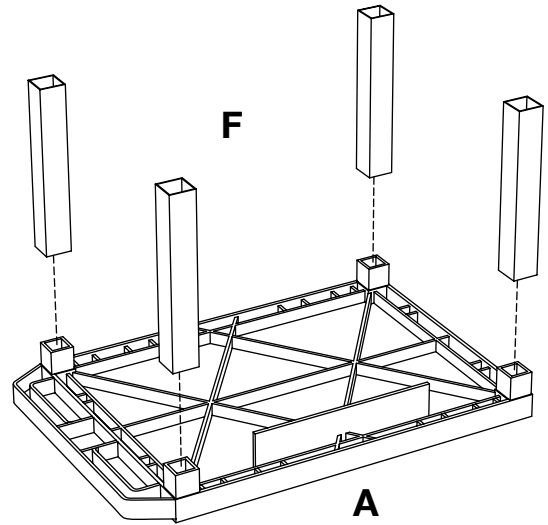
D x4

1

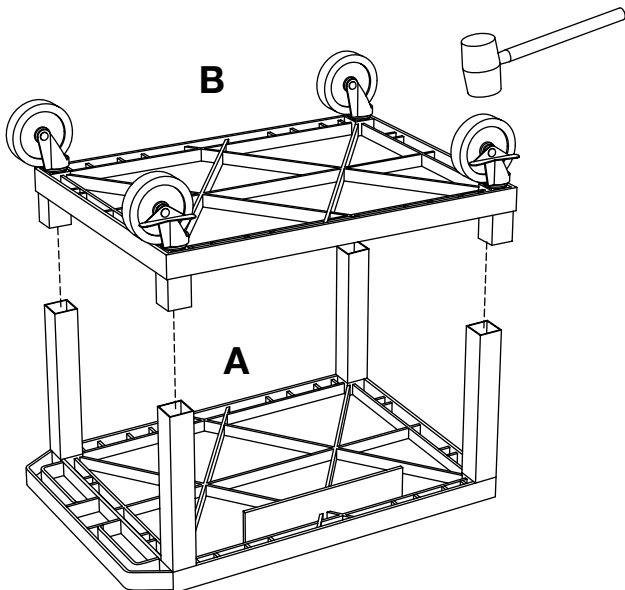


2

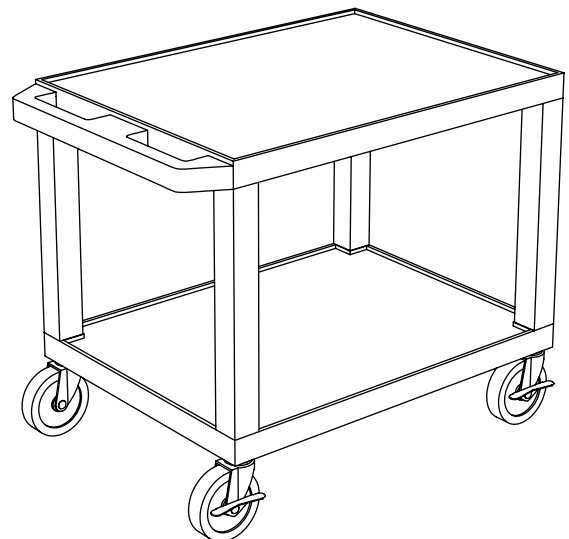
Install optional cabinet pack assembly after step 1



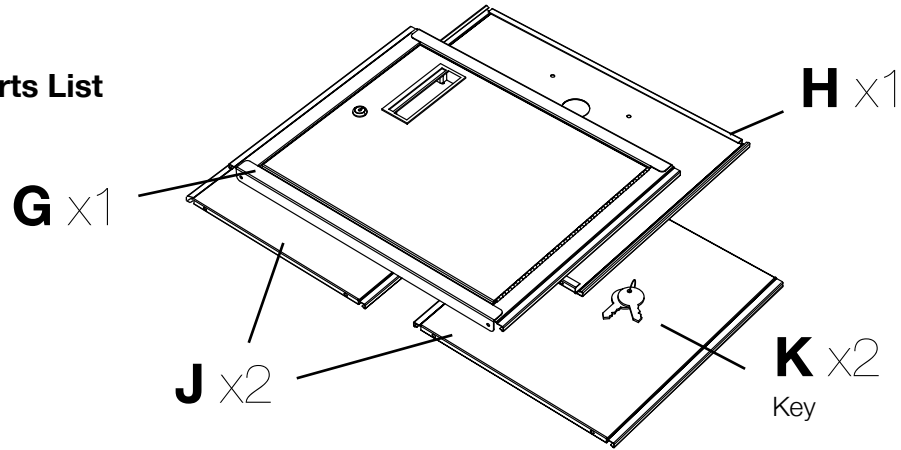
3



4



Parts List



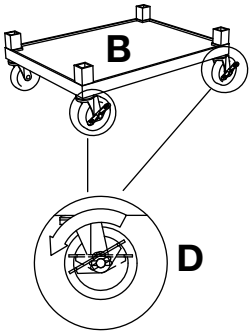
Tools Required

- Rubber Mallet

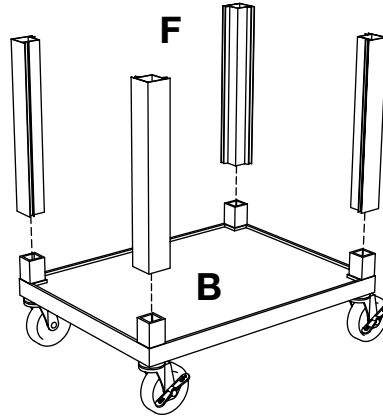
Tuffy Cart Cabinet Pack Instructions

Please consult your Tuffy cart base unit instructions before starting

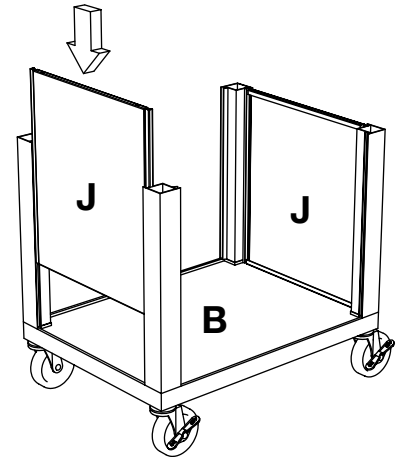
- 1** **IMPORTANT:** Flip shelf **B**, and lock the 2 locking casters **D** before assembling the unit.



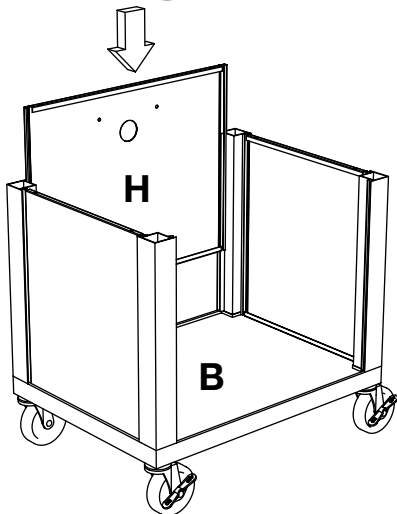
2



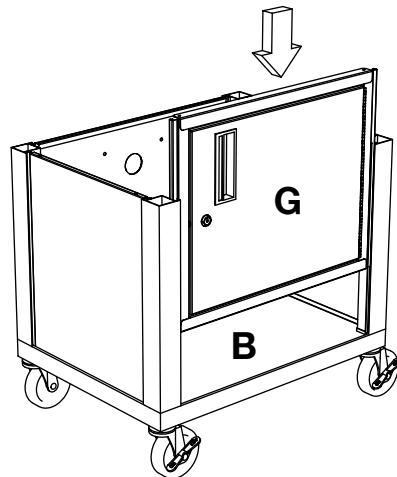
3



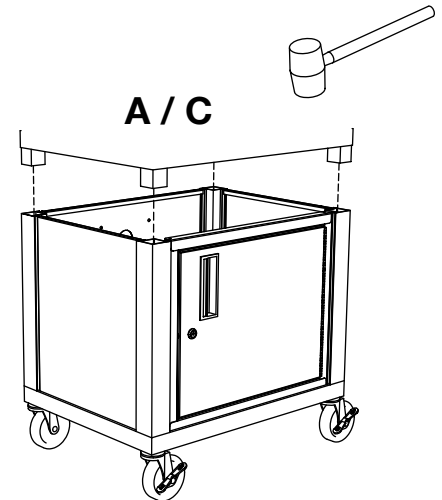
4



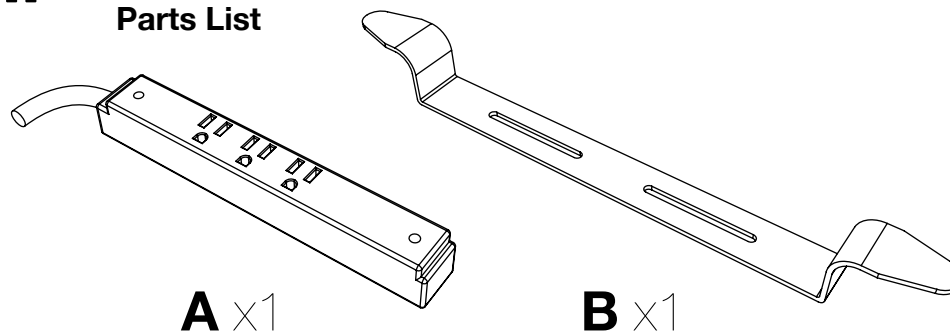
5



6

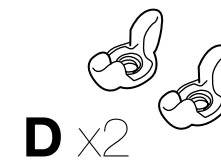
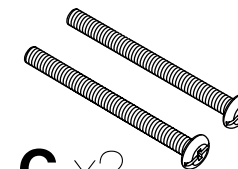


Parts List



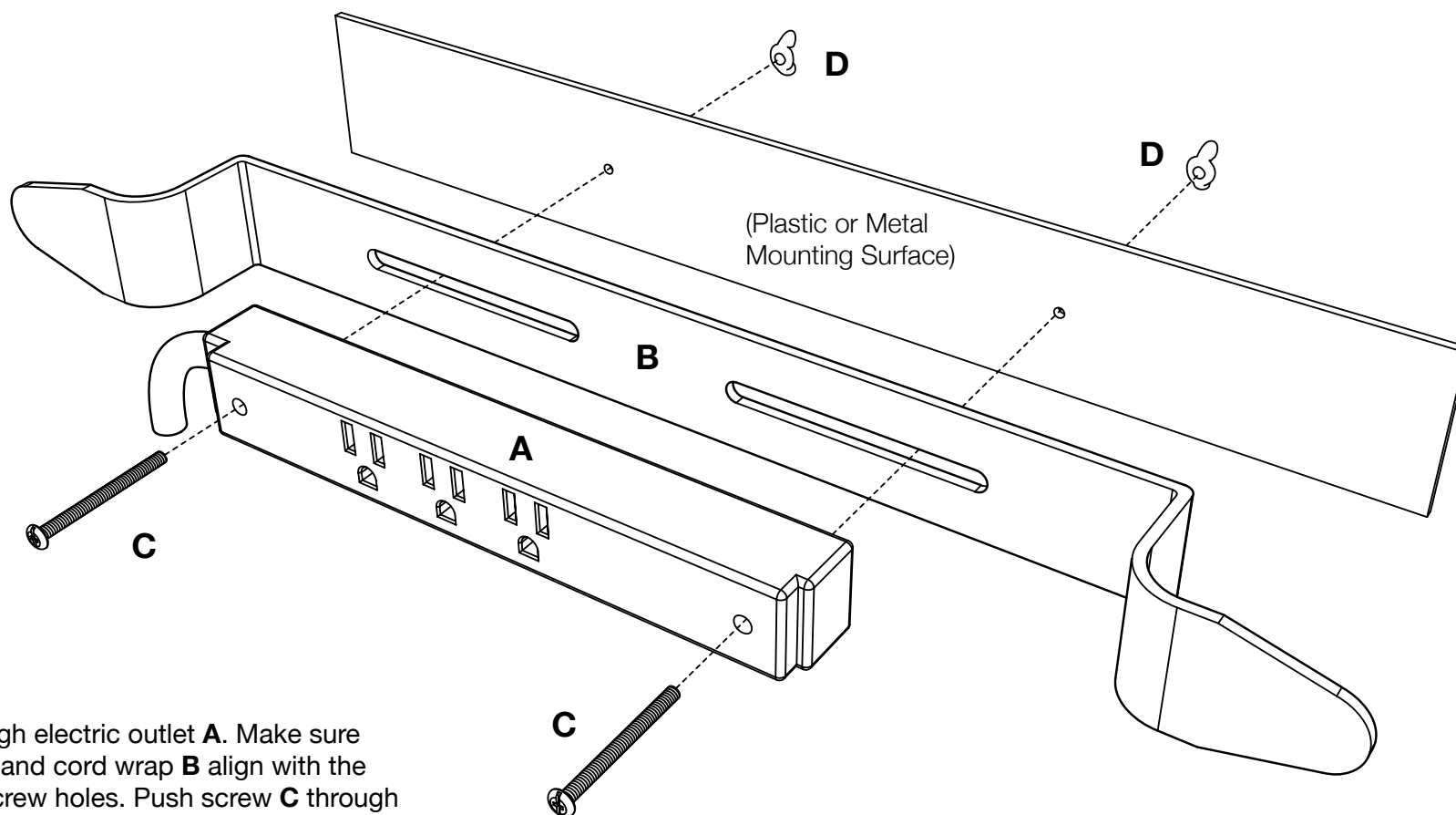
Tools Required

- Screwdriver



Electric Assembly Instructions

Number of outlets may vary.



1

Push screw **C** through electric outlet **A**. Make sure the electric outlet **A** and cord wrap **B** align with the mounting surface screw holes. Push screw **C** through cord wrap **B** and the mounting surface screw holes. Use wing nut **D** and screwdriver to fasten.