

***H. Wilson WT26RC2E-B Red 24.5"  
High Tuffy Utility A/V Cart with  
Cabinet (2-Shelf Black Legs)***

Instruction Manual



*Provided by*

**MyBinding.com**

*When Image Matters.*

Call Us at 1-800-944-4573

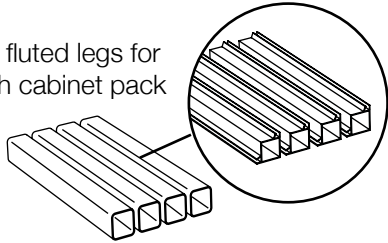
[www.luxorfurn.com](http://www.luxorfurn.com)  
[www.hwilson.com](http://www.hwilson.com)

### Parts List

### Tools Required

- Rubber Mallet

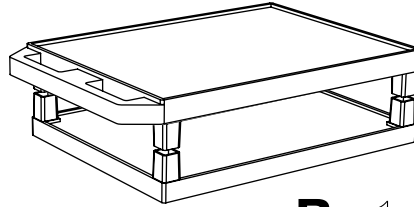
Optional fluted legs for units with cabinet pack



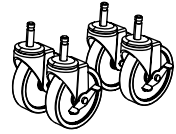
**NOTICE:**  
Leg lengths may vary by model

**F** x4

**A** x1

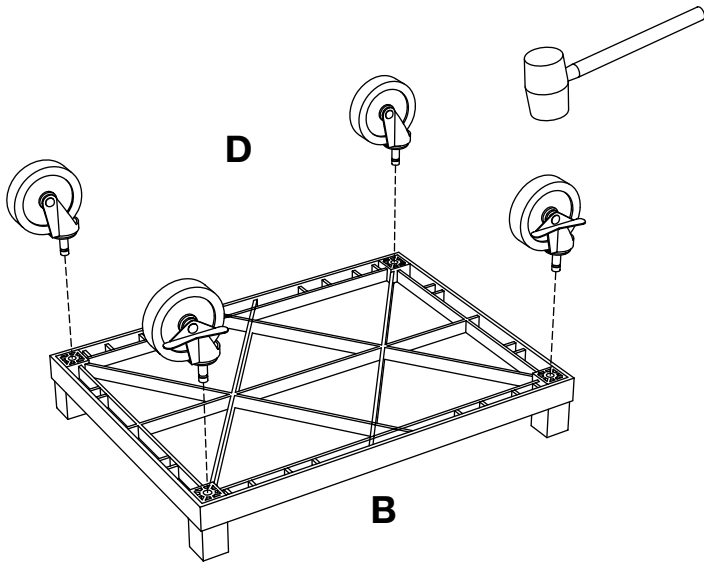


**B** x1



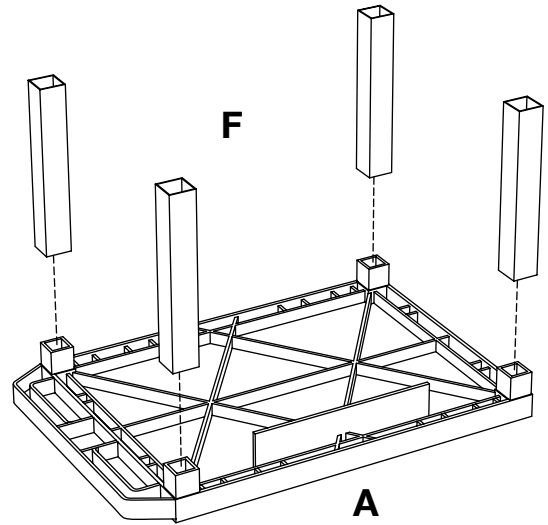
**D** x4

**1**

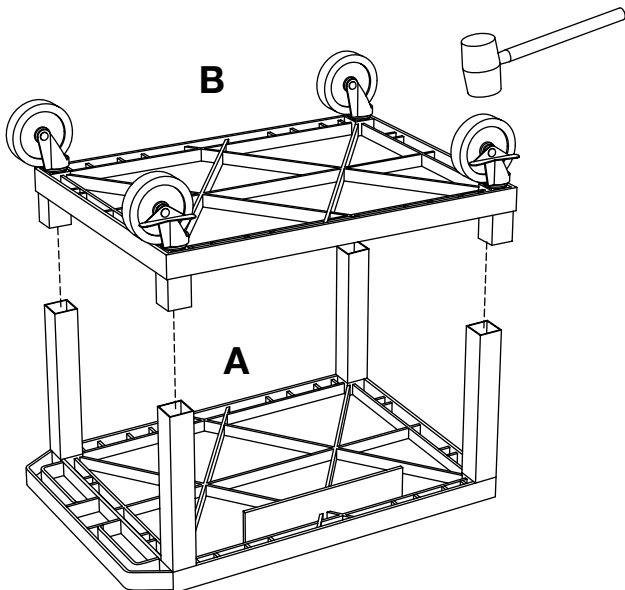


**2**

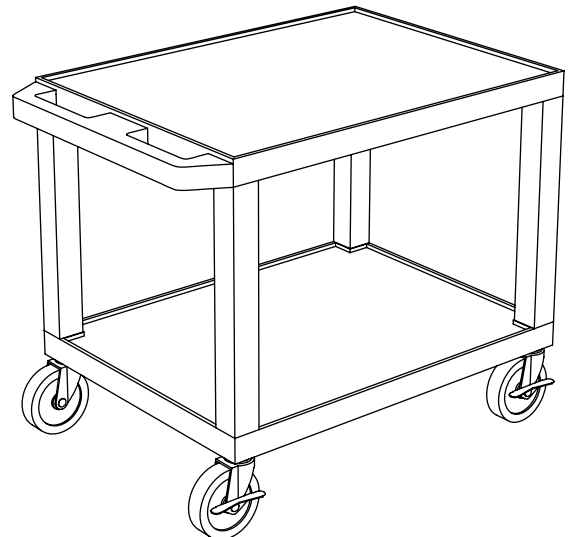
Install optional cabinet pack assembly after step 1



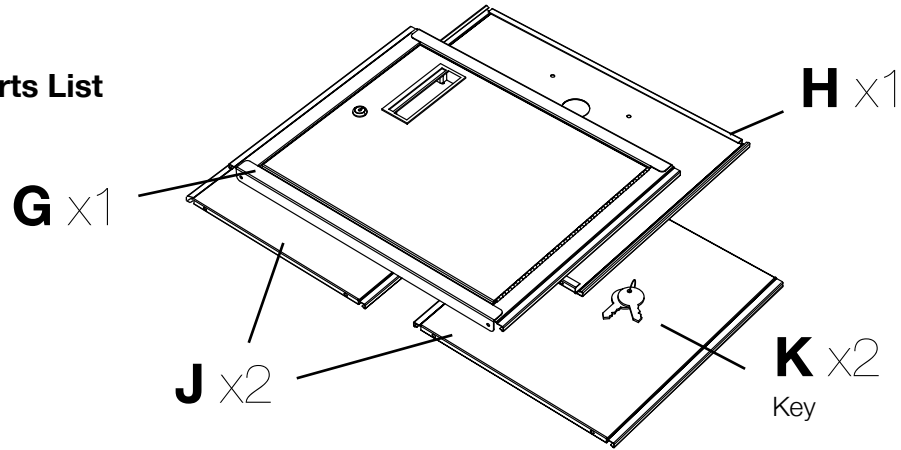
**3**



**4**



## Parts List



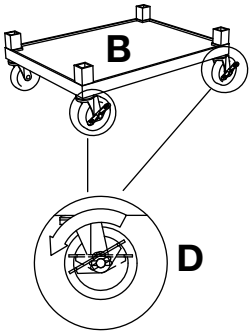
## Tools Required

- Rubber Mallet

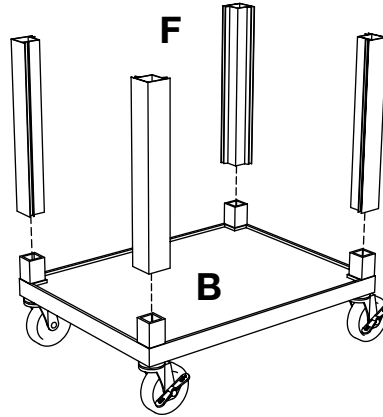
## Tuffy Cart Cabinet Pack Instructions

Please consult your Tuffy cart base unit instructions before starting

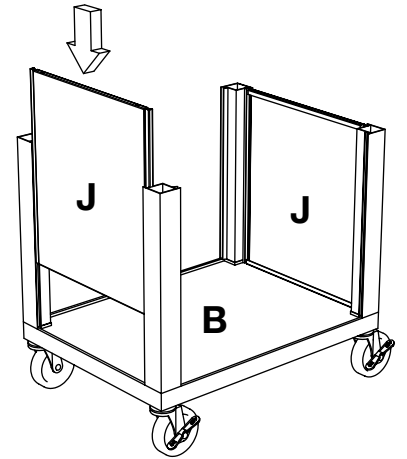
- 1** **IMPORTANT:** Flip shelf **B**, and lock the 2 locking casters **D** before assembling the unit.



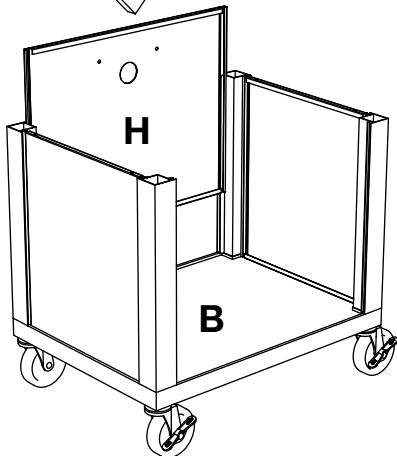
**2**



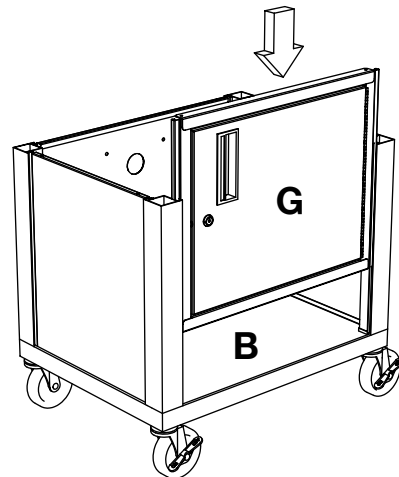
**3**



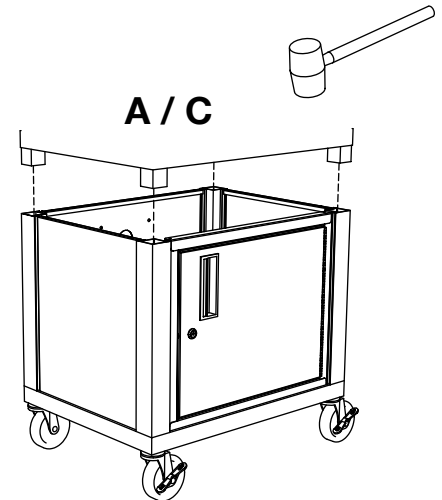
**4**



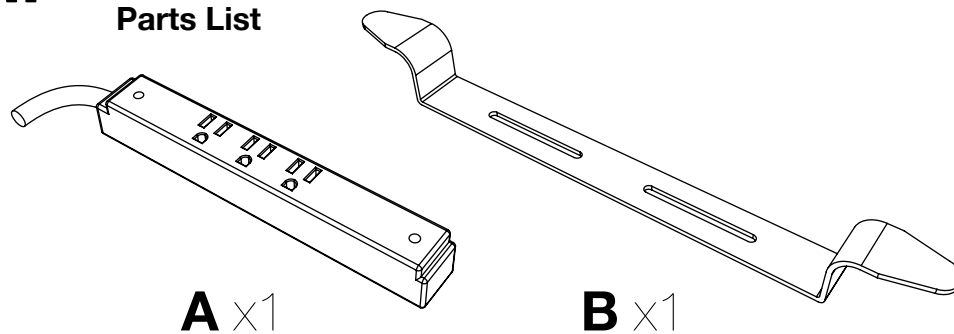
**5**



**6**

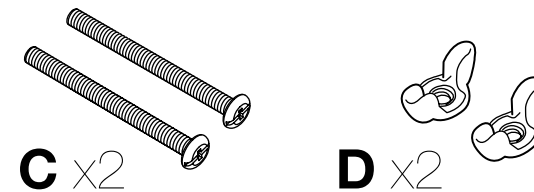


## Parts List



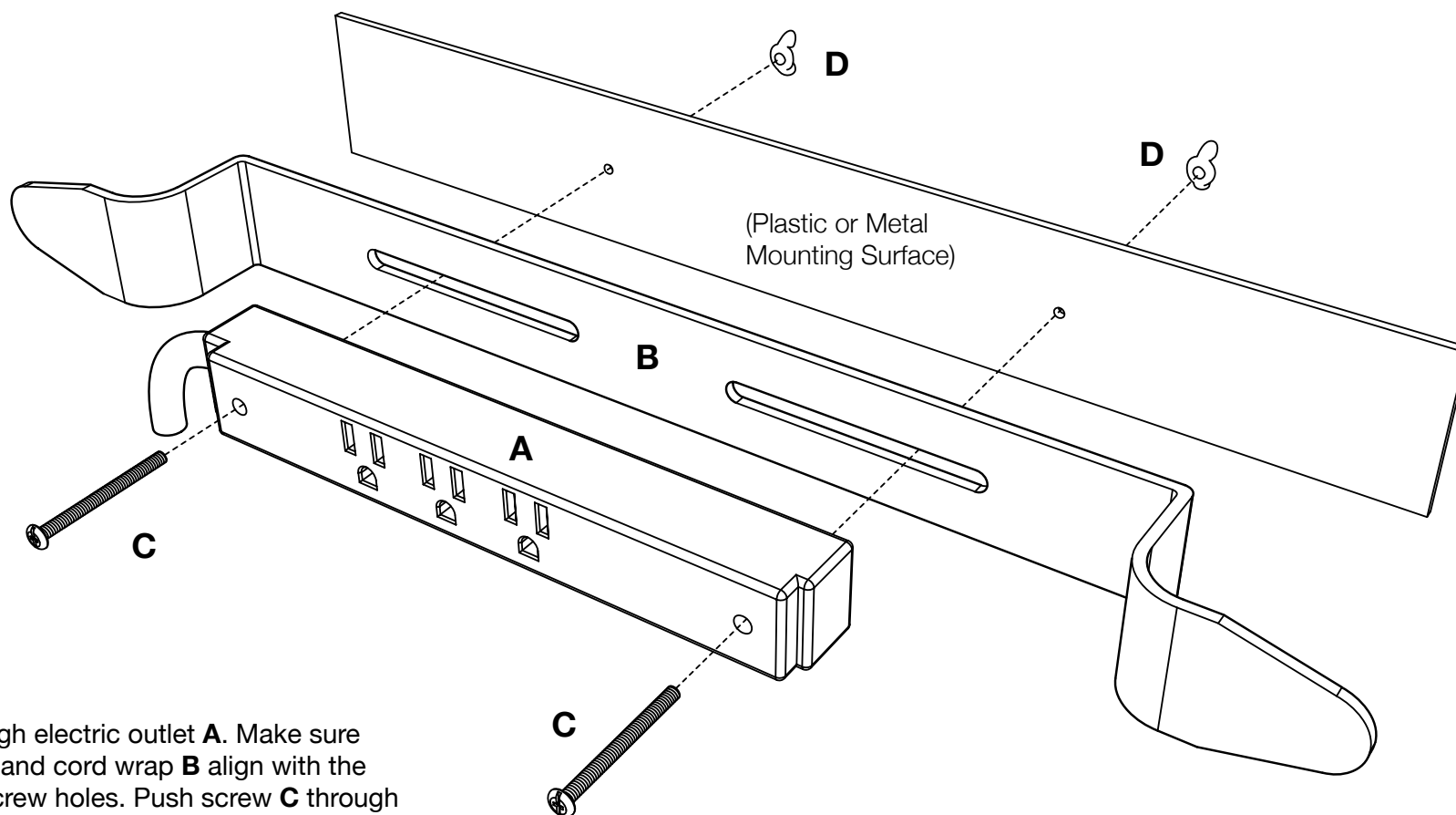
## Tools Required

- Screwdriver



## Electric Assembly Instructions

Number of outlets may vary.



**1**

Push screw **C** through electric outlet **A**. Make sure the electric outlet **A** and cord wrap **B** align with the mounting surface screw holes. Push screw **C** through cord wrap **B** and the mounting surface screw holes. Use wing nut **D** and screwdriver to fasten.