

***H. Wilson WT26RE-N Red  
24.5" High Tuffy Utility A/V  
Cart (2-Shelf Nickel Legs)***

Instruction Manual



*Provided by*

**MyBinding.com**

*When Image Matters.*

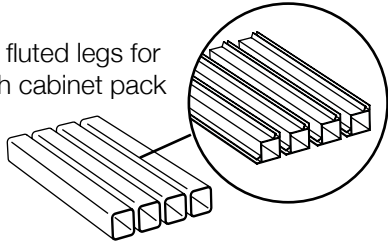
Call Us at 1-800-944-4573

### Parts List

### Tools Required

- Rubber Mallet

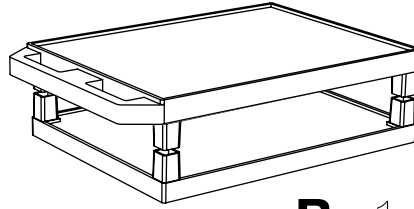
Optional fluted legs for units with cabinet pack



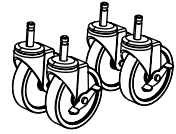
**NOTICE:**  
Leg lengths may vary by model

**F** x4

**A** x1

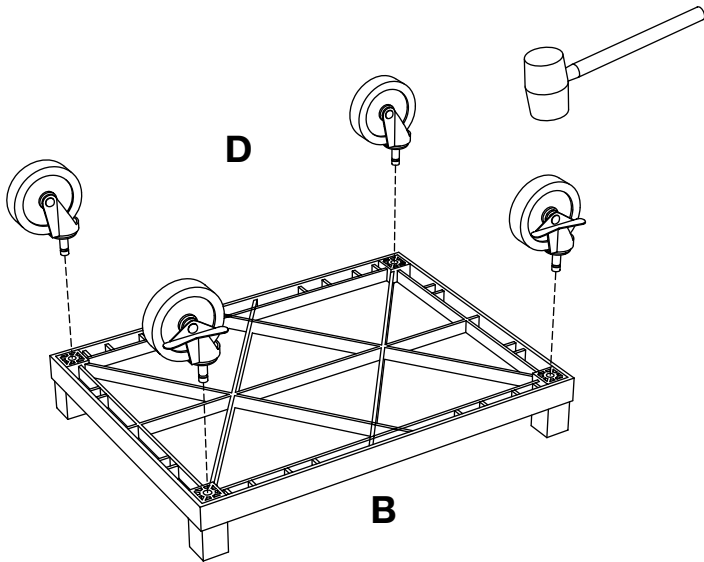


**B** x1



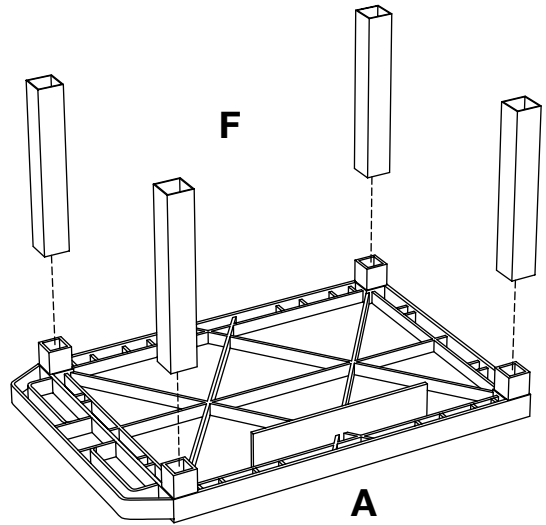
**D** x4

**1**

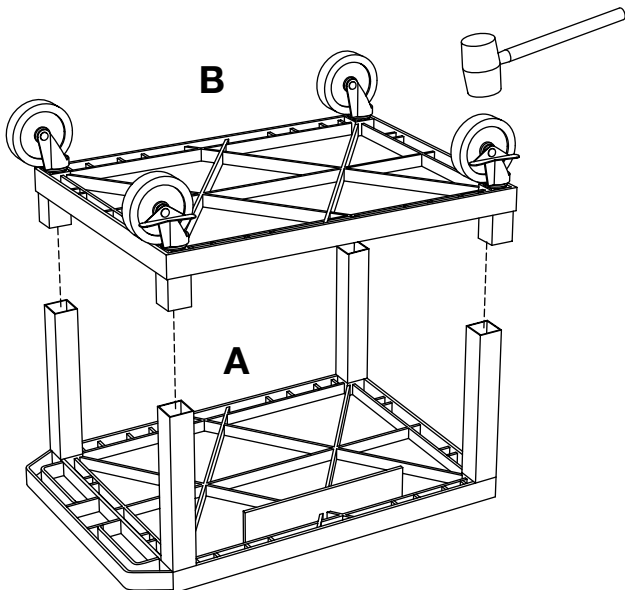


**2**

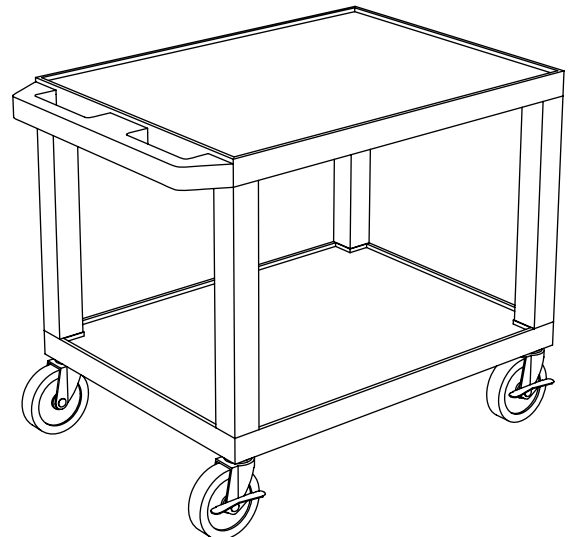
Install optional cabinet pack assembly after step 1



**3**



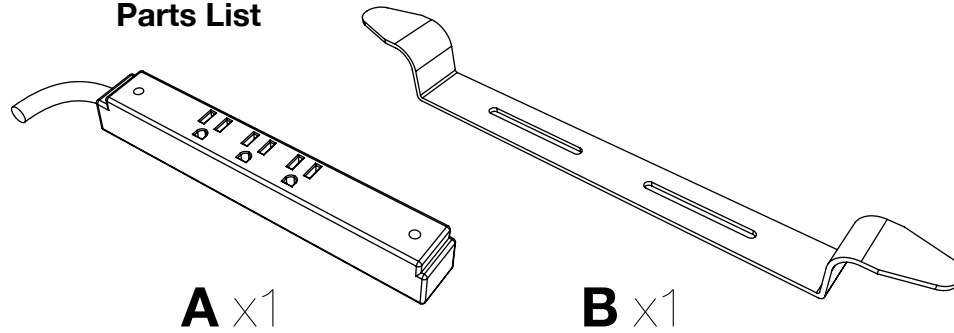
**4**



## Electric Assembly Instructions

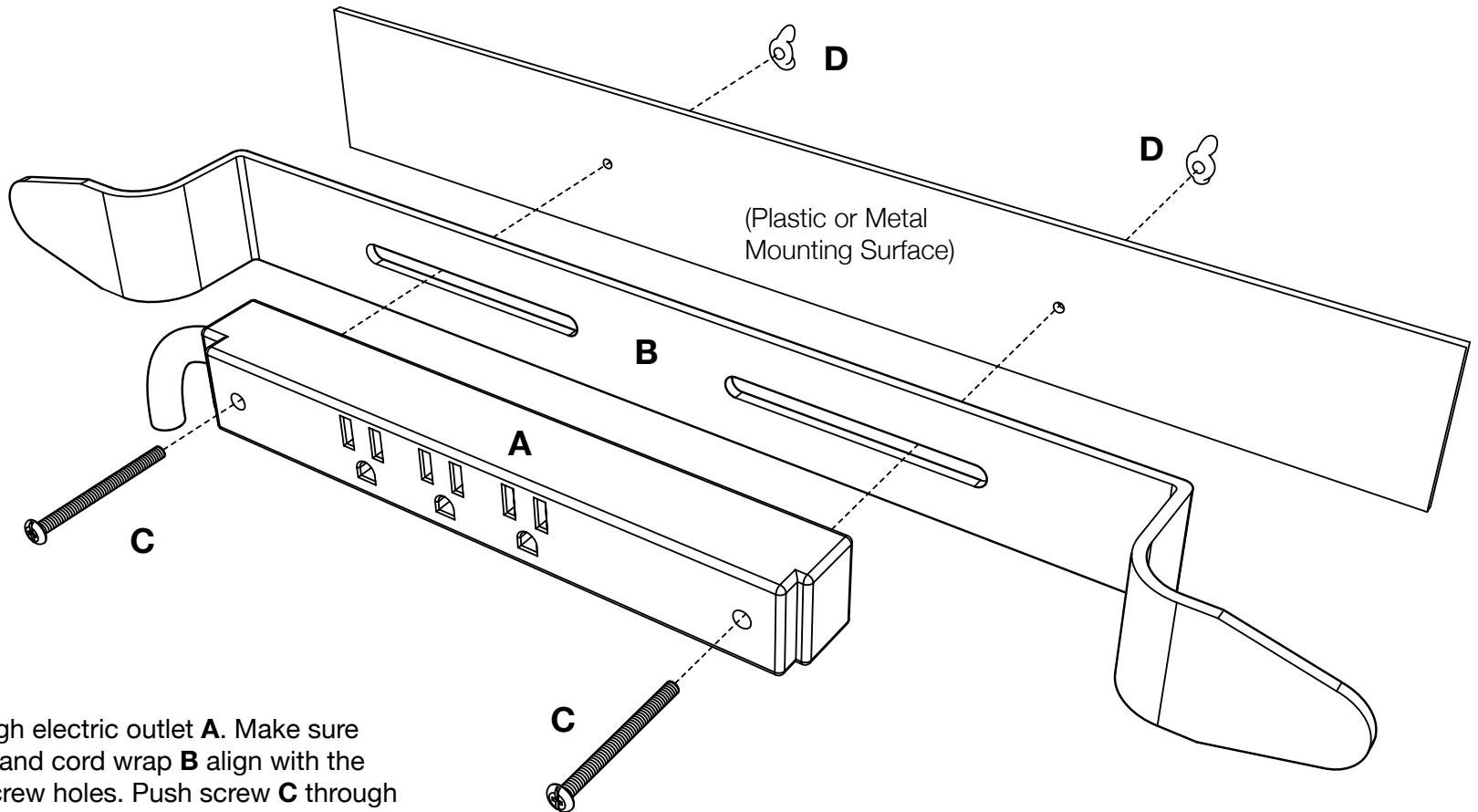
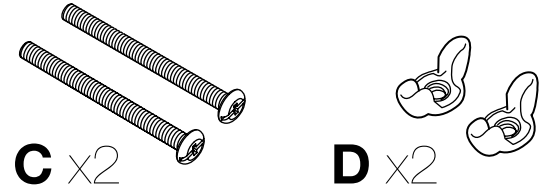
Number of outlets may vary.

### Parts List



### Tools Required

- Screwdriver



**1**

Push screw **C** through electric outlet **A**. Make sure the electric outlet **A** and cord wrap **B** align with the mounting surface screw holes. Push screw **C** through cord wrap **B** and the mounting surface screw holes. Use wing nut **D** and screwdriver to fasten.