

***H. Wilson Tuffy WT34 Black  
34" High 3-Shelf A/V Utility  
Cart (No Outlet / Black Legs)***

Instruction Manual



*Provided by*

**MyBinding.com**  
*When Image Matters.*

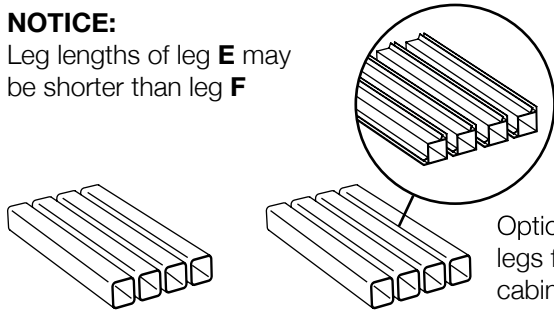
Call Us at 1-800-944-4573

### Parts List

### Tools Required

- Rubber Mallet

**NOTICE:**  
Leg lengths of leg **E** may be shorter than leg **F**

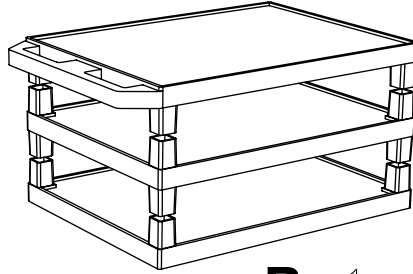


**E** x4

**F** x4

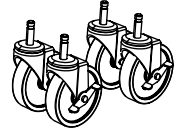
Optional fluted legs for units with cabinet pack

**A** x1



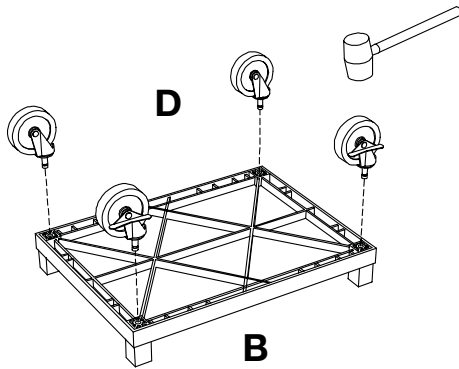
**C** x1

**B** x1



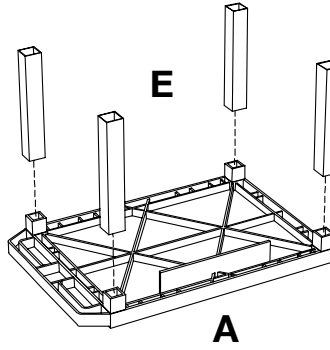
**D** x4

**1**

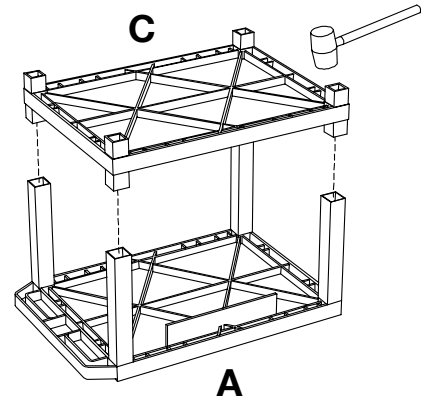


**2**

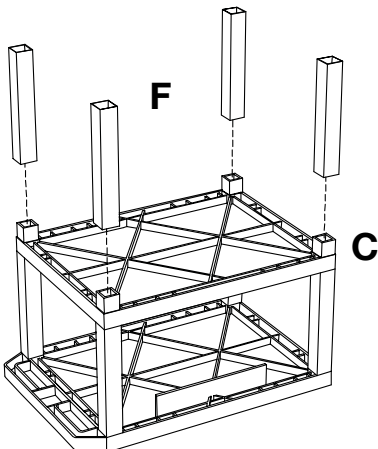
Install optional cabinet pack / pullout shelf / locking drawer assembly after step 1



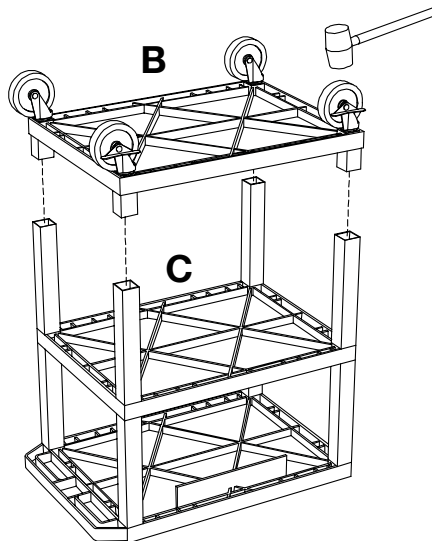
**3**



**4**



**5**



**6**

